

Installation
GUIDE

Electric and Induction Slide-in Ranges

MRI304DL



Table of contents

1 IMPORTANT SAFETY INSTRUCTIONS.....	3
1.1 Safety definitions.....	3
1.2 General information.....	3
1.3 General safety instructions.....	3
1.4 Appliance handling safety	4
1.5 Installation location.....	4
1.6 Safety codes and standards.....	5
1.7 Electrical safety.....	5
1.8 REAR CLEARANCE REQUIREMENTS.....	5
1.9 State of California Proposition 65 Warnings	5
1.10 Transport	6
2 Before you begin.....	7
2.1 Parts included	7
2.2 Tools and parts needed	7
2.3 Power requirements and grounding	7
3 Removing the packaging.....	7
4 Installation requirements	7
4.1 Appliance dimensions	7
4.2 Location requirements.....	7
5 Prior to installation	8
5.1 Installing the anti-tip bracket.....	8
5.2 Removing the oven door	9
6 Electrical connection	10
6.1 Electrical requirements.....	10
6.2 Routing the electrical cord.....	11
6.3 Preparation for power connection.....	11
6.4 Installing a four-wire connection	11
6.5 Installing a three-wire connection	12
6.6 Connecting a flexible conduit connection	13
7 Installing the range into the cabinets	14
7.1 Adjusting the leveling legs.....	14
7.2 Sliding the range into the opening	14
7.3 Reinstalling the oven door.....	15
7.4 Removing the warming drawer from the drawer housing	15
7.5 Reinstalling the warming drawer to the drawer housing	16
8 Testing the operation.....	17
9 Customer Service	17
9.1 Model number (E-Nr.) and production number (FD)	17
9.2 Rating plate location.....	17



IMPORTANT SAFETY INSTRUCTIONS

READ AND SAVE THESE INSTRUCTIONS

Read all of the instructions carefully before using the appliance. In order to reduce the risk of fire, electric shocks and personal injuries when using the appliance, follow the basic safety precautions, including the following safety instructions.

⚠ WARNING:

Never Operate the Top Surface Cooking Section of this Appliance Unattended.

- **Failure to follow this warning statement could result in fire, explosion, or burn hazard that could cause property damage, personal injury, or death.**
- **If a fire should occur, keep away from the appliance and immediately call your fire department.**

DO NOT ATTEMPT TO EXTINGUISH AN OIL/GREASE FIRE WITH WATER.

1.1 Safety definitions

Here you can find explanations of the safety signal words used in this manual.

⚠ WARNING

This indicates that death or serious injuries may occur as a result of non-observance of this warning.

⚠ CAUTION

This indicates that minor or moderate injuries may occur as a result of non-observance of this warning.

NOTICE:

This indicates that damage to the appliance or property may occur as a result of non-compliance with this advisory.

Note: This alerts you to important information and/or tips.

1.2 General information

Here you can find general information about this manual.

- Please read this manual carefully.
- Observe the safety instructions and warnings.
- Keep the manual and the product information in a safe place for future reference or for the next owner.
- Check the appliance for damage after unpacking it. Do not connect the appliance if it has been damaged in transit.

All product manuals may be downloaded online at www.thermador.com/us/support/owner-manuals.

1.3 General safety instructions

IMPORTANT: THE APPLIANCE MUST BE INSTALLED BY A QUALIFIED INSTALLER.

IMPORTANT: SAVE THESE INSTRUCTIONS FOR THE LOCAL ELECTRICAL INSPECTOR'S USE.

OWNER: PLEASE RETAIN THESE INSTRUCTIONS FOR FUTURE REFERENCE.

Examine the appliance after unpacking it. In the event of transport damage, do not plug it in.

WARNING

If the information in this manual is not followed exactly, fire or shock may result causing property damage or personal injury.

Do not repair, replace or remove any part of the appliance unless specifically recommended in the manuals.

Improper installation, service or maintenance can cause injury or property damage.

- ▶ Refer to this manual for guidance.
- ▶ All other servicing should be done by an authorized service provider.

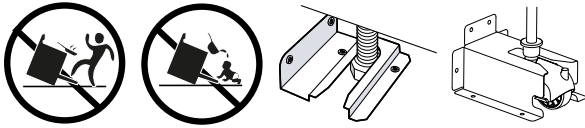


IMPORTANT SAFETY INSTRUCTIONS

READ AND SAVE THESE INSTRUCTIONS

WARNING

RISK OF TIPPING ON RANGES



- ▶ All ranges can tip and injury can result. To prevent accidental tipping of the range, attach it to the floor, wall, or cabinet by installing the anti-tip bracket supplied.
- ▶ A child or adult can tip the range over and be killed or seriously injured. Verify that the anti-tip bracket is securely installed. Ensure the anti-tip bracket is engaged when the range is moved.
- ▶ **DO NOT** operate the range without the anti-tip bracket in place. Failure to follow the instructions in this manual can result in death or serious burns to children and adults.
- ▶ If the range is moved for cleaning, service, or any other reason, ensure that the anti-tip bracket is properly reengaged when the range is pushed back into place. In the event of abnormal usage (such as a person standing, sitting, or leaning on an open door), failure to take this precaution can result in tipping of the range. Personal injury might result from spilled hot liquids or from the range itself.
- ▶ Check for proper installation and use of anti-tip bracket. Carefully tip range forward pulling from the back to ensure that the anti-tip bracket engages the range and prevents tip-over. Range should not move more than 1" (2.5 cm).

WARNING

DO NOT install this appliance outdoors.

WARNING

Never modify or alter the construction of the appliance.

- ▶ For example, do not remove leveling legs, panels, wire covers or anti-tip brackets/screws.

The appliance should only be used if installed by a qualified technician in accordance with these installation instructions. The manufacturer is not responsible for any damage resulting from incorrect installation.

To eliminate the risk of burns or fire by reaching over heated surface units, cabinet storage space located above the surface units should be avoided.

- ▶ If cabinet storage is to be provided, the risk can be reduced by installing a hood that projects horizontally a minimum of 5" (127 mm) beyond the bottom of the cabinet.
- ▶ Verify that cabinets above the cooktop are a maximum of 13" (330 mm) deep.

WARNING

Remove all tape and packaging before using the appliance.

- ▶ Dispose of packaging in an environmentally responsible manner.
- ▶ Never allow children to play with packaging material.
- ▶ Store small parts safely as they can be a choke hazard.

1.4 Appliance handling safety

WARNING



Unit is heavy and requires at least two people or proper equipment to move.

- ▶ Do not lift appliance by door handle.
- ▶ Remove the door for easier handling and installation. See instructions in this manual.

WARNING



Hidden surfaces may have sharp edges.

- ▶ Use caution when reaching behind or under appliance.
- ▶ Wear gloves to avoid cutting fingers on sharp edges during installation.

1.5 Installation location

To eliminate the risk of burns or fire by reaching over heated surface units, cabinet storage space located above the surface units should be avoided. If cabinet storage is to be provided, the risk can be reduced by installing a hood that projects horizontally a minimum of 5" (12.7 cm) beyond the bottom of the cabinet.

Verify that cabinets above the range are a maximum of 13" (330 mm) deep.



IMPORTANT SAFETY INSTRUCTIONS

READ AND SAVE THESE INSTRUCTIONS

1.6 Safety codes and standards

This appliance complies with the latest version of one or more of the following standards:

- CAN/CSA C22.2 No. 61 - Household Cooking Ranges
- CAN/CSA C22.2 No. 64 - Household Cooking and Liquid- Heating Appliances
- UL 1026 - Electric Household Cooking and Food Serving Appliances
- UL 858 - Household Electric Ranges

It is the responsibility of the owner and the installer to determine if additional requirements and/or standards apply to specific installations.

1.7 Electrical safety

- **Installer** - show the owner the location of the circuit breaker or fuse. Mark it for easy reference.
- If required by the National Electrical Code (or Canadian Electrical Code), this appliance must be installed on a separate branch circuit.
- Local codes vary. The installer is responsible for ensuring that the installation, connections, and grounding comply with all applicable codes. The manufacturer is not responsible for improper installation or the failure to follow appropriate local codes and regulations.
- Be sure your appliance is properly installed and grounded by a qualified technician in accordance with the NFPA 70 or CSA C22.1 latest edition and local electrical code requirements.
- Only a power supply cord kit rated for this appliance and marked "For Use With Ranges" shall be used.
- Refer to the rating plate for more information.
→ "Rating plate location", Page 17

WARNING

Before installing, turn power OFF at the service panel.

- ▶ Lock service panel to prevent power from being turned ON accidentally.

WARNING



ELECTRIC SHOCK HAZARD

- ▶ Disconnect power before installing or servicing. Before turning power ON, be sure that all controls are in the OFF position.
- ▶ DO NOT remove connections.

- ▶ DO NOT use an extension cord.
- ▶ Improper grounding can result in a risk of electric shock.
- ▶ Failure to follow these instructions can result in death, fire, or electrical shock.

GROUNDING INSTRUCTIONS

- ▶ This appliance must be grounded.
- ▶ Grounding reduces the risk of electric shock by providing a safe pathway for electric current in the event of a short circuit.
- ▶ Be sure your appliance is properly installed and grounded by a qualified technician.
- ▶ Installation, electrical connections and grounding must comply with all applicable codes.

Do not use an extension cord. If the power supply cord is too short, have a qualified electrician install an outlet near the appliance.

Before you turn on power supply, make sure all controls are in the OFF position.

1.8 REAR CLEARANCE REQUIREMENTS

To avoid staining on the back wall, high temperature, non-porous construction materials suitable for use in a cooking environment are recommended.

IMPORTANT: There is a possibility to discolor the back wall under certain cooking conditions.

All models listed are suitable for 0" rear clearance to combustible surfaces.

Clearances should be approved by the local codes and/or by the local authority having jurisdiction.

Clearances from non-combustible materials are not part of the ANSI Z21.1 scope and are not certified by CSA.

1.9 State of California Proposition 65 Warnings

This product may contain a chemical known to the State of California, which can cause cancer or reproductive harm. Therefore, the packaging of your product may bear the following label as required by California:

STATE OF CALIFORNIA PROPOSITION 65 WARNING:



WARNING

Cancer and Reproductive Harm - www.P65Warnings.ca.gov



IMPORTANT SAFETY INSTRUCTIONS

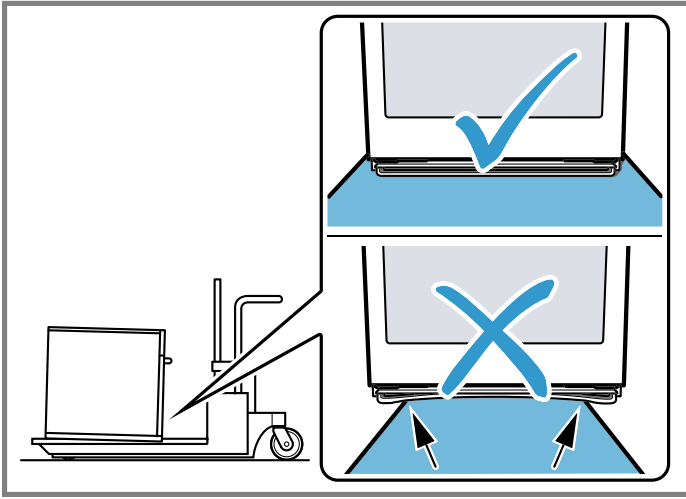
READ AND SAVE THESE INSTRUCTIONS

1.10 Transport

Follow these precautions when transporting your appliance.

NOTICE:

To avoid damaging the appliance, use the transport method shown in the following picture.



2 Before you begin

Read these instructions before you begin to install your appliance.

This Installation Guide covers several models. All graphics are representative. Your appliance may vary in appearance and features.

2.1 Parts included

After unpacking all the parts, check for any damage in transit and for completeness of delivery.

- Anti-tip bracket
- 2x wood screws
- 2x anchorless concrete screws
- Foam tape; if not already installed around the edges on the underside of the cooktop
- Terminal lugs; for use with hard-wired installations (not required for Canadian installations)

2.2 Tools and parts needed

Prepare these tools and accessories before you start to install your appliance.

Tools

- Pencil
- Measuring tape
- Level
- Knife
- Cross head screwdriver
- Flathead screwdriver
- 1/4" wrench
- Pipe wrench
- Drill and 3/16" masonry drill bit for concrete screws
- Safety gloves
- Safety glasses
- Cloth or cardboard to protect floor

Parts

- 40 or 50 Amp power supply cord kit with strain relief; depending on local codes. (Not necessary for Canadian installations, cord is preinstalled at factory.)

Additional parts needed for hard-wired installations

- Flexible conduit
- Torque wrench

2.3 Power requirements and grounding

The outlet must be properly grounded in accordance with all applicable codes.

3 Removing the packaging

1. Cut the box straps.
2. Open the top of the carton and remove the top wood frame.
3. Place the unit in front of the cabinet where it is to be installed. The unit should be in line with the cabinet cutout.

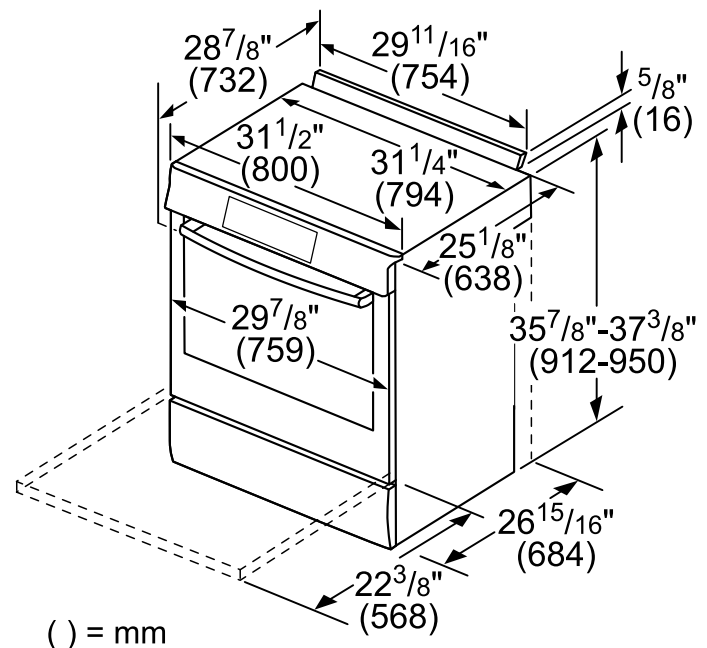
Leave the unit on the packaging base until it is ready to be lifted into the cabinet cutout.

4. Remove the carton by lifting it up and off the unit.
Alternatively you can carefully cut along the cut line on the back left side of the carton with a blade shorter than 3/4" (20 mm).
5. Remove all internal protective packaging, racks, accessories, and instruction manuals from the oven cavity.

4 Installation requirements

Read these instructions to prepare the installation space for your appliance.

4.1 Appliance dimensions



4.2 Location requirements

⚠ WARNING

To eliminate the risk of burns or fire by reaching over heated surface units, cabinet storage space located above the surface units should be avoided.

- ▶ If cabinet storage is to be provided, the risk can be reduced by installing a hood that projects horizontally a minimum of 5" (12.7 cm) beyond the bottom of the cabinet.
- Cabinets, countertops, walls and floors in the installation location must be level. Variance may cause damage to countertops and floors during installation, and may adversely affect cooking and baking performance.
- Some cabinet finishes cannot survive the temperatures allowed by safety standards, particularly self-cleaning ovens; the cabinets may discolor or stain. This is most noticeable with laminate cabinets.

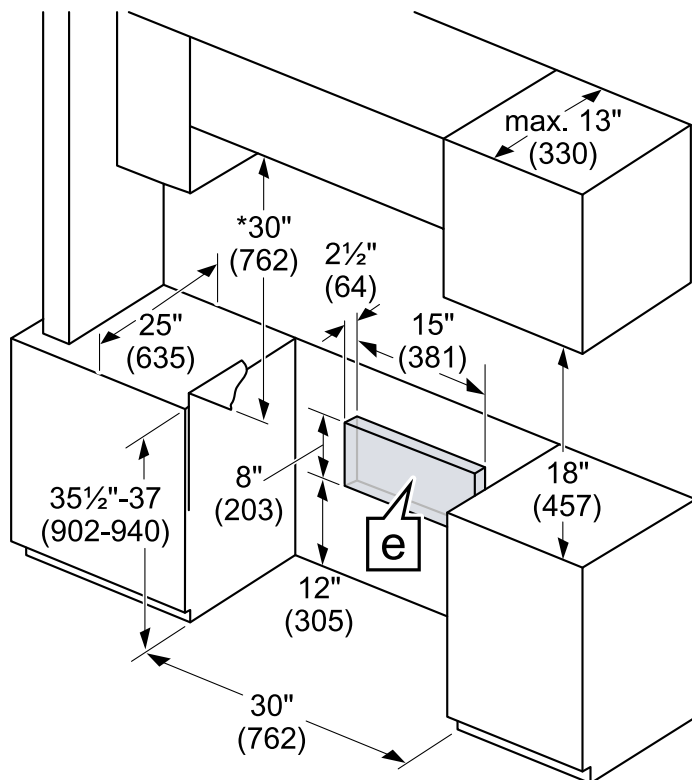
- A flush mount 208/240 VAC dedicated circuit outlet is required.
- Seal any holes in the walls or floor. Remove any obstructions (extra electrical or gas connections, etc.) so that the range will rest against the wall properly.

Tips

- To facilitate installation, remove the oven door and warming drawer (see “Removing the Oven Door” and Removing warming drawer). If the warming drawer is not removed, then tape must be placed securely on the warming drawer before installation to prevent it from opening while the range is being installed.
- Place a piece of cardboard or cloth under the range during installation to protect floors.

Required clearances

- Thermador recommends the minimum clearances contained in this manual. Clearances from non-combustible materials are not certified by CSA. Clearances other than those shown in this manual must be approved by local codes and/or by the local authority having jurisdiction.
- These instructions were determined using standard American cabinets. Standard base cabinets measure 36" (91.4 cm) high x 25" (63.5 cm) deep. If nonstandard cabinets are used, care should be taken to alter dimensions accordingly.
- Allow a minimum of 30" (76.2 cm) between the cabinets where range is to be installed. No side clearance is required.
- There must be a minimum clearance of 30" (762 mm) required between the top of the cooking surface to an overhead combustible surface. If installing an overhead vent or over-the-range microwave, refer to the clearances specified with those products.
- This unit is designed for installation near adjacent walls and projecting surfaces constructed of combustible materials. No clearance is required from unit walls to adjacent vertical combustible walls on rear, right or left sides.
- Cabinets over the cooking surface and cabinets adjacent to those over the cooking surface measure 13" (33 cm) deep from back wall.
- The range height is set by adjusting the range legs (see “Leg adjustment”).



Flame retardant materials bear the mark: UNDERWRITERS LABORATORIES INC. CLASSIFIED MINERAL AND FIBER BOARDS SURFACE BURNING CHARACTERISTICS, followed by the flame spread and smoke ratings. These designations are shown as “FHC (Flame Spread/Smoke Developed)”. Materials with “O” flame spread ratings are flame-retardant. Local codes may allow other flame spread ratings. It is the responsibility of the installer to ensure installation is in accordance with these ratings.

Ventilation requirements

Thermador strongly recommends the installation of a ventilation hood above this range. For most kitchens, a certified hood rating of not less than 300 CFM is recommended. The range hood must be installed according to instructions furnished with the hood.

5 Prior to installation

Carry out these steps to prepare your appliance for installation.

5.1 Installing the anti-tip bracket

The range can tip forward, potentially causing injury and damage, if the anti-tip bracket is not properly installed. Do not operate the range without the anti-tip bracket in place.

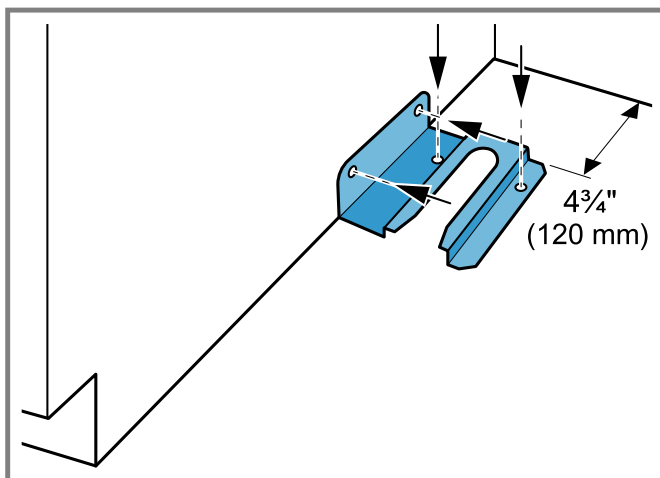
⚠ WARNING

- ▶ A child or adult can tip the range over and be killed.
- ▶ Verify that the anti-tip bracket is securely installed. Ensure the anti-tip bracket is engaged when the range is moved.

⚠ WARNING**ELECTRICAL SHOCK HAZARD**

- ▶ Use extreme caution when drilling holes into the wall or floor as there may be concealed electrical wires.
- ▶ Identify the electrical circuits that could be affected by the installation of the anti-tip bracket, then turn off power to these circuits.
- ▶ Failure to follow these instructions may result in electrical shock or other personal injury.

1. Position the bracket as shown in the back left corner of the installation opening, against the back wall and the left cabinet wall.



Note: The mounting surface must be secure. When mounting to the cabinet wall make sure the screws engage the frame of the cabinet. Do not use a block or spacer to fill a gap between the anti-tip bracket and the cabinet wall. Do not attempt to anchor into drywall.

2. Secure the bracket with two screws to the floor or to the base of the cabinet wall. Depending on the floor or cabinet material, use wood or anchorless concrete screws (included). Concrete screws require the use of a 3/16" masonry bit.

5.2 Removing the oven door

It is recommended to remove the oven door to reduce the weight of the appliance and to facilitate its handling and installation.

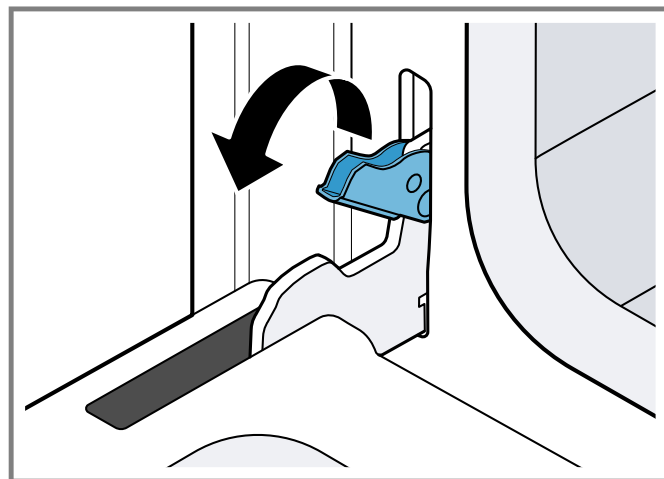
⚠ WARNING

Failure to follow these instructions when removing the oven door may lead to personal injury or product damage.

- ▶ Make sure oven is cool and power to the oven has been turned off before removing the door. Failure to do so could result in electrical shock or burns.
- ▶ The oven door is heavy and parts of it are fragile. Use both hands to remove the oven door.
- ▶ The door front is glass. Handle it carefully to avoid breakage.
- ▶ Grasp only the side of the oven door. Do not grasp the handle. It may swing in your hand and cause damage or injury. Failure to grasp the oven door firmly and properly could result in personal injury or product damage.

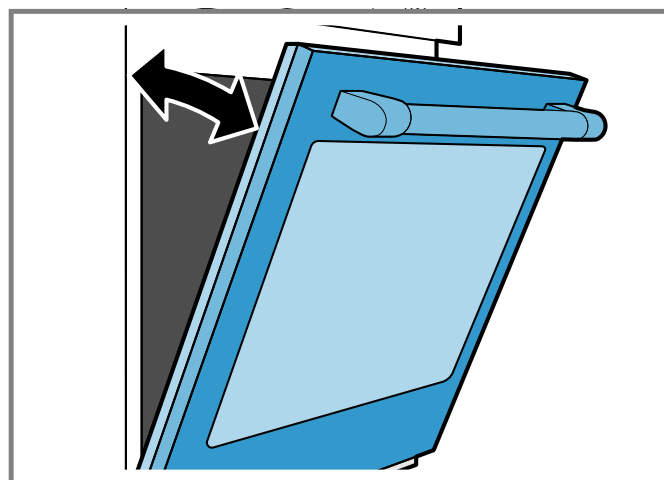
- ▶ To avoid injury from hinge bracket snapping closed, be sure both levers are securely in place before removing the door.
- ▶ Do not force the door open or closed. The hinge could be damaged and cause damage or injury.
- ▶ Do not lay the removed door on sharp or pointed objects as this could break the glass. Lay it on a flat, smooth surface, positioned so that the door cannot fall over.

1. Open the oven door to its fully open position.
2. Flip levers on hinges toward you.



If necessary, use a tool, such as a screwdriver, to gently pry the upper part of the lever away from the housing. Take care to avoid scratching the housing.

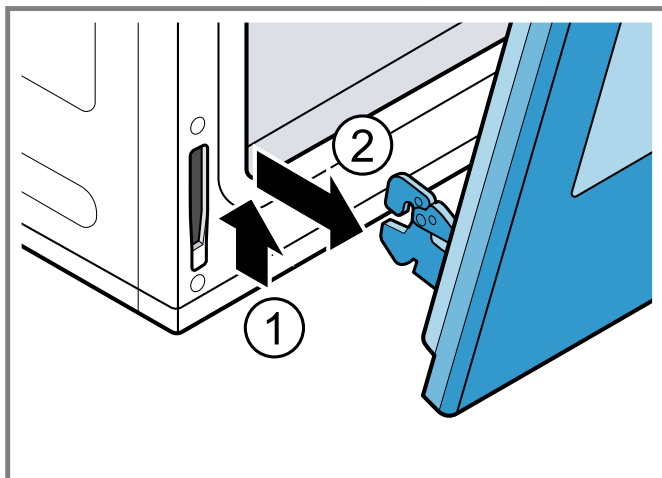
3. Bring both door hinge levers to their fullest down position. The left and right door hinges may differ slightly but operate in the same manner.
4. **⚠ CAUTION** Follow the instructions below to prevent the latch from slamming shut and pinching or cutting your hand. Close the oven door until it catches on the hinge stop levers, locking the hinges at the proper angle for door removal.



- ✓ The door will be open about 7" (18 cm) at the top.

5. **⚠ CAUTION** The door is heavy.
- ▶ Do not grip the door by the handle.
 - ▶ Use both hands to firmly grip it by the sides.

Maintaining the door angle, lift the door straight up approximately 3/4" (2 cm) to unhook the hinges from the slots and then pull it out towards you until the hinges are clear of the oven housing.



6. Place the door in a convenient and stable location. Do not lay the door on its handle. This could cause dents or scratches.

6.1 Electrical requirements

Make sure your electrical installation supports the following requirements. This appliance must be supplied with the proper voltage and frequency and connected to an individual, properly grounded branch circuit, protected by a circuit breaker or fuse having amperage as specified on the rating plate. The rating plate is located above the drawer on the oven frame. See information on rating plate. → Page 17 Check with your local utilities for electrical codes which apply in your area. Failure to wire your appliance according to governing codes could result in a hazardous condition. If there are no local codes, your range must be wired and fused to meet the requirements of the National Electrical Code, ANSI/NFPA No. 70–Latest Edition.

Volts A/C	Hz	Rating kW	Circuit breaker Varies by location. Check local codes
120/240	60	13.0	40 or 50 A
120/240	60	13.8	40 or 50 A
120/208	60	9.8	40 or 50 A
120/208	60	10.4	40 or 50 A

6 Electrical connection

Read these instructions to safely connect your appliance to the electrical supply.

⚠ WARNING

Do not use an extension cord. If the power supply cord is too short, have a qualified electrician install an outlet near the appliance.

To prevent electrical shock, the grounding prong on the range cord should not be cut or removed under any circumstances.

- ▶ It must be plugged into a matching grounding type receptacle and connected to a correctly polarized 240-Volt circuit.
 - ▶ If there is any doubt as to whether the wall receptacle is properly grounded, have it checked by a qualified electrician.
- The range may be connected using an electric range cord, or using a flexible conduit electrical connection.
 - Use only cord kits rated 125/250 volts, 40 amperes (minimum), and labeled "For Use with Ranges".
 - It is recommended that only qualified persons add a power cord or make electrical connections to this appliance.

Note: In Canada, the range is shipped from the factory with the range cord already installed. Continue to install the range into the cabinets.

The range requires a minimum of a three-wire 120/240 V or 120/208 V, 40 - 50 A, 60 Hz AC circuit. Check local codes for proper amperage ratings. A four-wire connection is preferred. Most local building regulations and codes require that electrical wiring be done by licensed electricians. Be sure to install your range according to the electric codes in your region.

Electrical kW rating

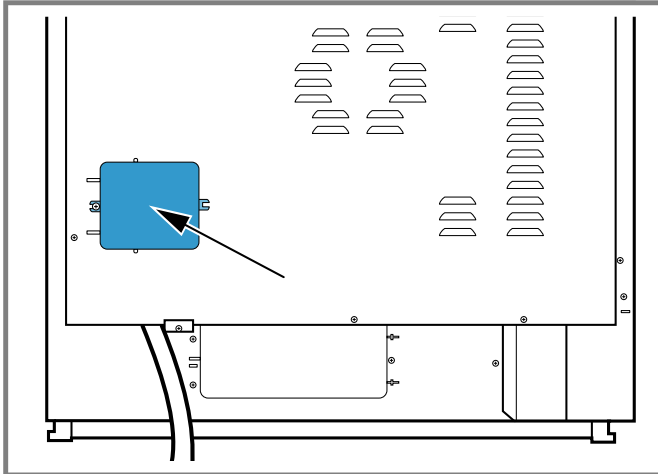
Ranges are dual rated for use on either 120/240 VAC or 120/208 VAC. Check the rating label for the kW rating. Reference the kW rating in the table below to determine amperage requirements.

6.2 Routing the electrical cord

⚠ WARNING

The strain relief must be properly installed. Strain reliefs vary. Carefully read and follow the instructions included with your strain relief.

1. Remove the cover in the lower, left corner of the range back panel.



2. Below the terminal block, remove the knockout that fits the strain relief that comes with your range cord.
3. Feed the range cord through the hole and the strain relief up to the terminal block.
4. Attach the strain relief per instructions included with the strain relief.

Note: The knockout panel below the terminal block can be removed from the range to install the strain relief. Remove the panel from range, install the strain relief in the panel and reattach. DO NOT remove the entire range back panel.

6.3 Preparation for power connection

⚠ WARNING

Risk of Electric Shock or Fire. Grounding through the neutral conductor is prohibited for new branch-circuit installations (1996 NEC), mobile homes, and recreational vehicles, or in an area where local codes prohibit grounding through the neutral conductor.

Where grounding through the neutral conductor is prohibited:

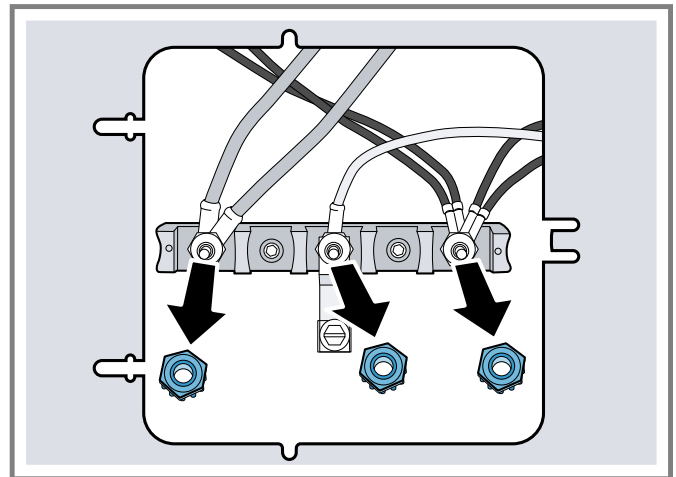
- Disconnect the link from the neutral.
- Use grounding terminal or lead to ground unit.
- Connect neutral terminal to lead branch circuit neutral in the usual manner. When the appliance is to be connected by means of a cord kit, use a 4-conductor cord for this purpose.

6.4 Installing a four-wire connection

Recommended method.

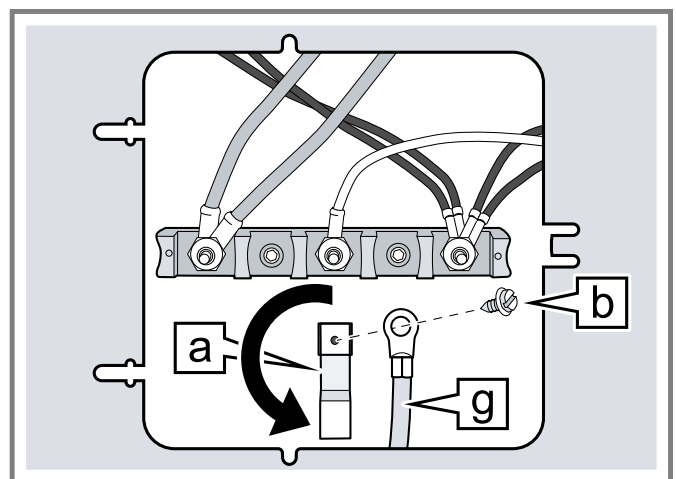
1. Disconnect the electrical power at the breaker box.

2. Remove the terminal block cover to expose the terminal block.
3. Remove the top nut (has an attached locking washer) from each post.

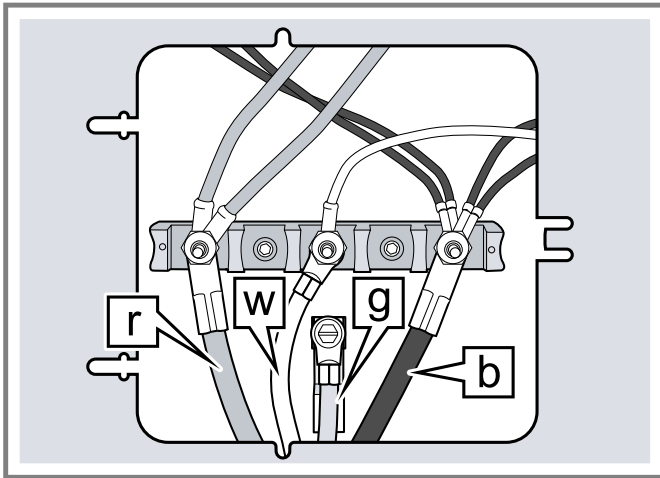


Note: DO NOT remove the second nut/washer on each post; these must stay in place to anchor the internal wiring attached to the terminal block.

4. Remove the green grounding screw **b** from the lower end of the grounding strap.
5. Remove the grounding strap from the center post of the terminal block.
6. Rotate the grounding strip **a** so that the wide end is up and align the hole with the grounding hole below the terminal block.
7. Use the green grounding screw **b** to attach the green wire **g** on top of the grounding strap.
8. Tighten the grounding screw firmly, but do not overtighten.



- Attach the red wire to the left terminal using one of the nut/washers removed previously.



r	Red
w	White
g	Green
b	Black

- Attach the white wire to the center terminal using one of the nut/washer parts.
- Attach the black wire to the right junction block terminal using one of the nut/washer parts.
- Tighten all connections securely and replace terminal block cover.
- Properly secure strain relief.
→ "Routing the electrical cord", Page 11

Note: DO NOT plug in the range at this time.

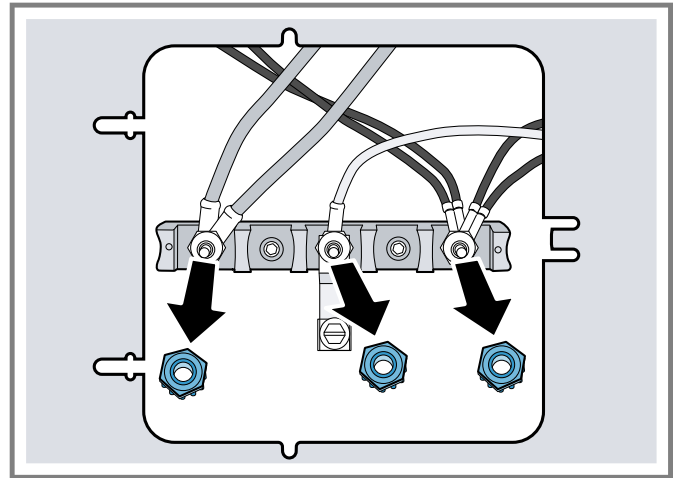
6.5 Installing a three-wire connection

Alternate method

Note: The four-wire connection (above) is preferred, but where local codes and ordinances permit grounding through the neutral and where conversion to four-wire is impractical, the unit may be connected to the power supply via a three-wire connection.

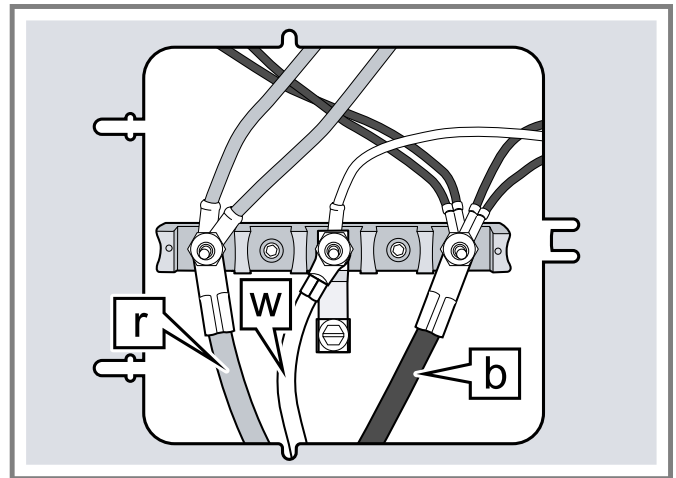
- Disconnect electrical power at breaker box.
- Remove the terminal block cover to expose the terminal block.

- Remove the top nut (has an attached locking washer) from each terminal post.



Note: DO NOT remove the second nut/washer on each post. These must stay in place to anchor the internal wiring attached to the terminal block.

- Attach the white wire to the center terminal using one of the nut/washer parts.
- Attach the red wire to the left terminal using one of the nut/washer parts removed previously.
- Attach the black wire to the right terminal using one of the nut/washer parts.



r	Red
w	White
b	Black

- Tighten all connections securely and replace terminal block cover.
- Properly secure strain relief.
→ "Routing the electrical cord", Page 11

Note: DO NOT plug in the range at this time.

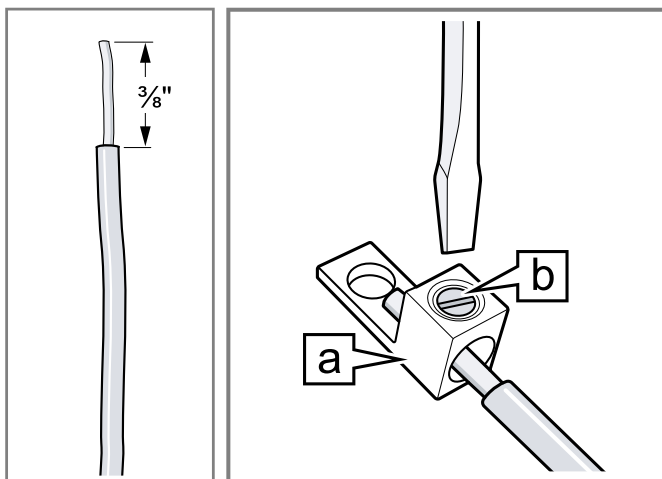
6.6 Connecting a flexible conduit connection

The range can also be connected via flexible conduit. If using this method, always use the lugs supplied. In each instance where a wire is to be attached to a terminal lug, perform the following steps.

Note: In Canada, the range is shipped from the factory with the range cord already installed. Continue to Installing the range into the cabinets.

For installations other than those in Canada, connect the flexible conduit at the terminal block.

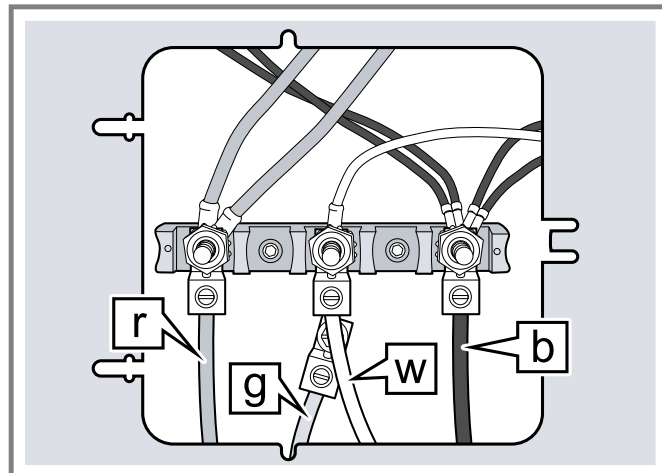
1. Strip 3/8" (9.5 mm) of insulation from the end of the wire.
2. Insert the stripped end of the wire into the terminal lug **a**. Then tighten each clamping screw **b** with the appropriate torque. See table.



Wire gauge	Torque (in/lbs)	Torque (Nm)
6	35	3.95
8	25	2.82

Installing a four-wire flexible conduit connection

1. Follow the instructions for installing a four-wire connection. → Page 11



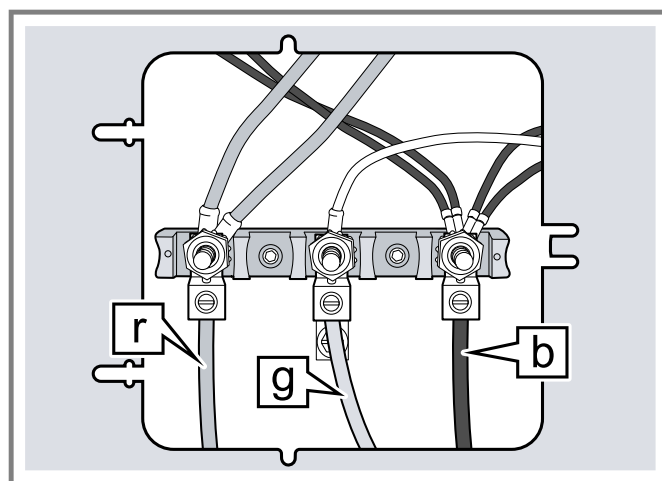
- r Red
- w White
- g Green
- b Black

2. Properly secure the flexible conduit at knockout on angle and at the supply side junction box. The wiring is now complete.

Note: DO NOT connect electrical power to the range at this time.

Installing a three-wire flexible conduit connection

1. Follow the instructions for installing a three-wire connection. → Page 12



- r Red
- g Green
- b Black

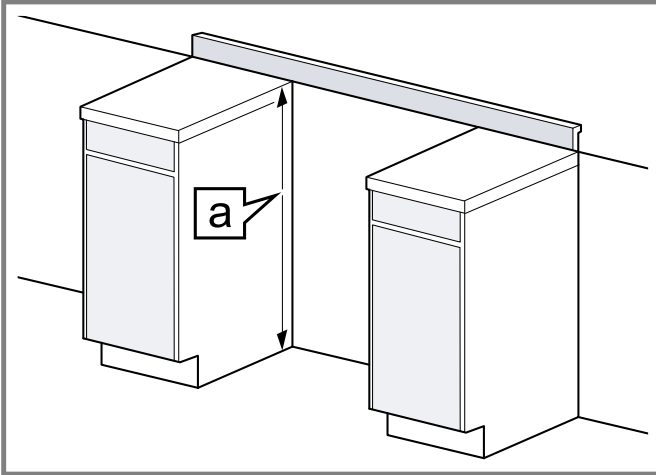
2. Properly secure the flexible conduit at knockout on angle and at the supply side junction box. The wiring is now complete.

Note: DO NOT connect electrical power to the range at this time.

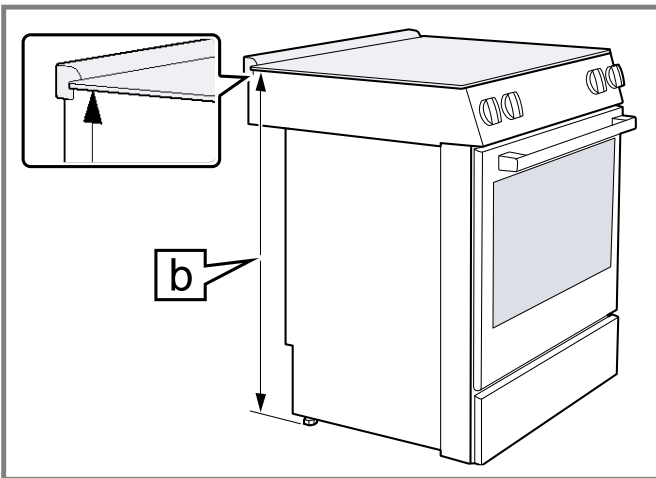
7 Installing the range into the cabinets

7.1 Adjusting the leveling legs

1. Line up the range in front of opening.
2. Measure the height **a** at the back left corner of the opening from the top of the countertop to the floor.

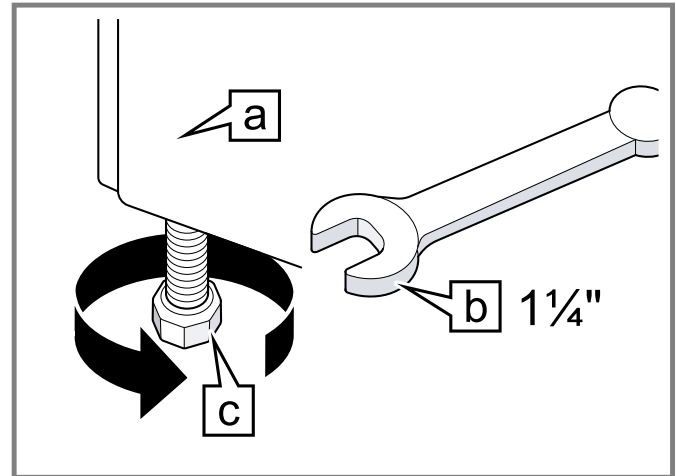


3. Measure the height **b** at the back left corner of the range from the underside of the cooktop to the bottom of the range.



4. Adjust the leveling legs until the dimensions **a** and **b** are the same.
5. Repeat in the back right corner.

6. Use a 1 1/4 " wrench to adjust the front leveling legs so that the height from the underside of the cooktop to the floor matches the height of the corresponding countertop surface.



- | | |
|----------|--------------------------|
| a | Warming drawer |
| b | Wrench |
| c | Adjustable leveling legs |

7.2 Sliding the range into the opening

⚠ CAUTION

Unit is heavy and requires at least two persons or proper equipment to move.

It is recommended to wear protective clothing during the lifting process.

- ▶ Wear gloves and long sleeves to protect hands and forearms from abrasion and potential scratches.
- ▶ Take off watches and jewelry.
- ▶ Wear work shoes for foot protection.

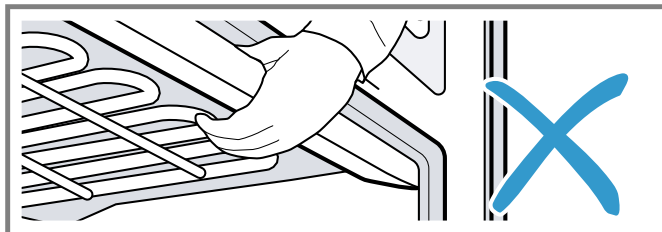
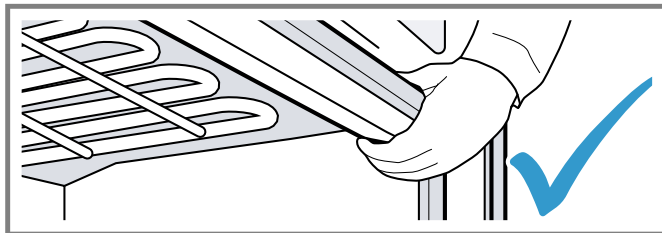
NOTICE:

To avoid risk of damage to the range oven door, do not lift, push, or pull the range by holding the door handle.

Requirement: You have removed the oven door.

1. **⚠ CAUTION DO NOT** attempt to lift the unit by holding the oven's upper heating element.

Lift the range off of the packaging base. Reach inside the top of the oven cavity to locate a ridged area near the front of the oven.

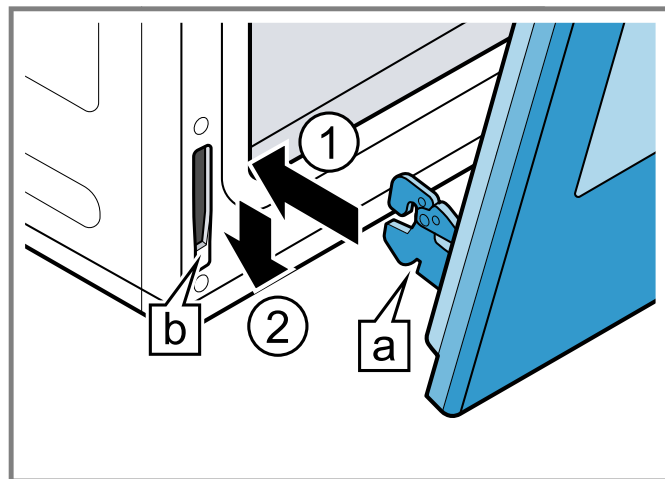


2. Make sure that the circuit breaker is off and then plug the range cord into the electrical outlet.
3. Dampen the countertop and floor at the bottom of the opening with soapy water.
4. Slide the range into the opening. Be careful not to damage countertops, floors, or warming drawer front. Do not apply pressure to the cooktop when sliding the range into position. Be careful not to crimp the flexible electrical connector.
5. Install the oven door. → *Page 15*
6. Check proper installation.
 - The cooktop should rest lightly on the countertop.
 - There should not be any gap between the countertop and the cooktop; however, the weight of the range must not rest on the countertop.
 - Look under the range to verify that both back legs are resting solidly on the floor.
 - Also verify that the left range leg is retained by the anti-tip bracket.

7.3 Reinstalling the oven door

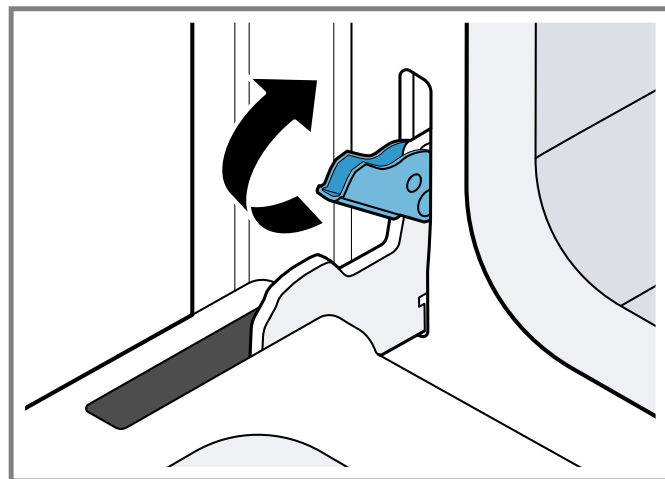
1. Hold the door firmly in both hands. Grip it on either side, not by the handle.
2. Tilt the door back slightly towards you at an angle that would open the door about 7" (18 cm) at the top.

3. Slide the hinges **a** into the slots **b** as far as they will go **①** and lower the door straight down **②**.



The angle of the door may need to be adjusted slightly to allow the hinges to engage properly and the door to be lowered into place. The door should lower about 3/4" (2 cm) and stop. If it does not, the hinges have not engaged properly and the door could fall if it is released.

4. Once both hinges are fully engaged, gently open the door until it is fully open.
5. Push the levers on both the hinges up and forward until they are locked into the slot and flush with the front of the oven body.



6. Close and open the door slowly to be sure it is correctly and securely in place.

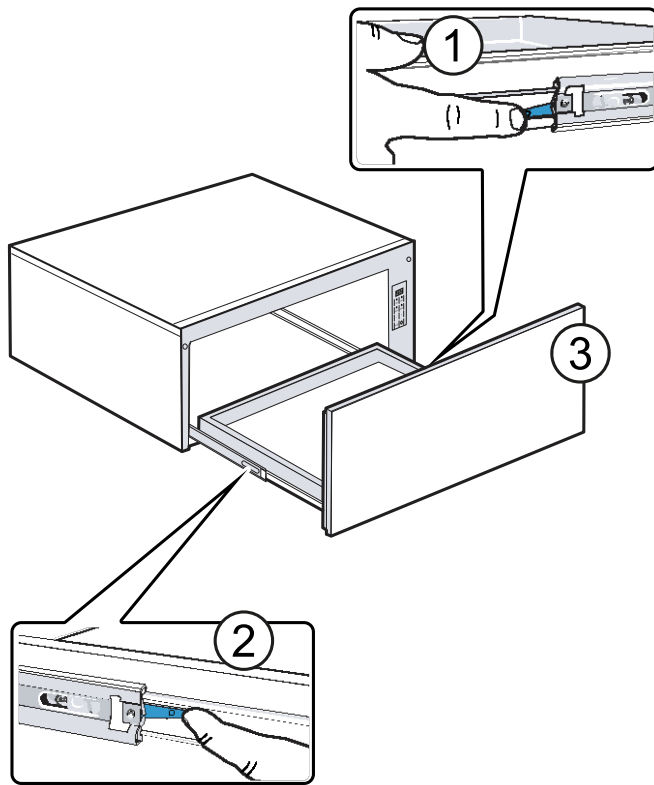
7.4 Removing the warming drawer from the drawer housing

⚠ WARNING

To prevent burns, do not remove the drawer while hot.

- ▶ Be sure the drawer is empty before removing.

1. Pull out the warming drawer to fully open position.

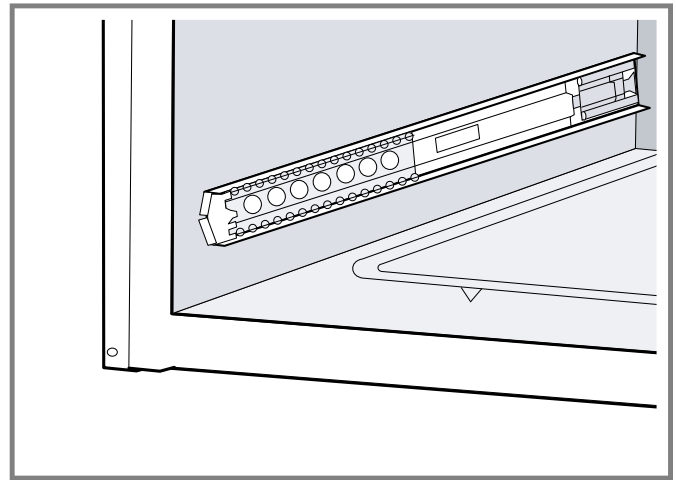
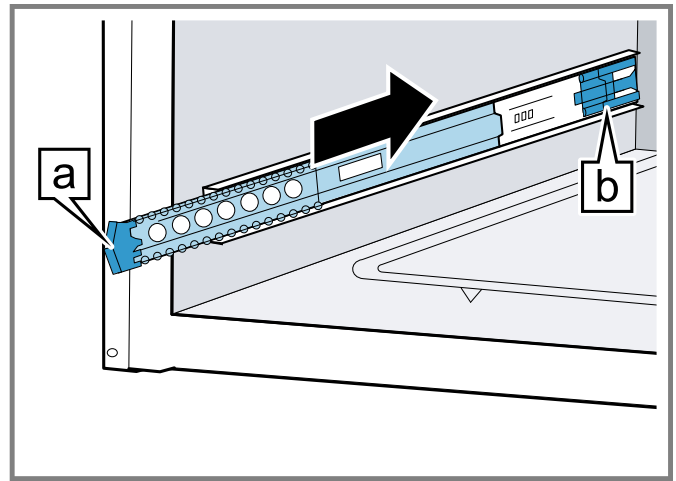


2. Press down the right drawer release lever ①.
3. Lift up the left drawer release lever ②.
4. Firmly pull the drawer straight out ③.
5. Retract the cabinet rails while the drawer is removed.
6. Grasp both sides of the drawer and carefully remove the drawer housing, pulling straight and level.
This step may require light to moderate force to completely remove drawer.

7.5 Reinstalling the warming drawer to the drawer housing

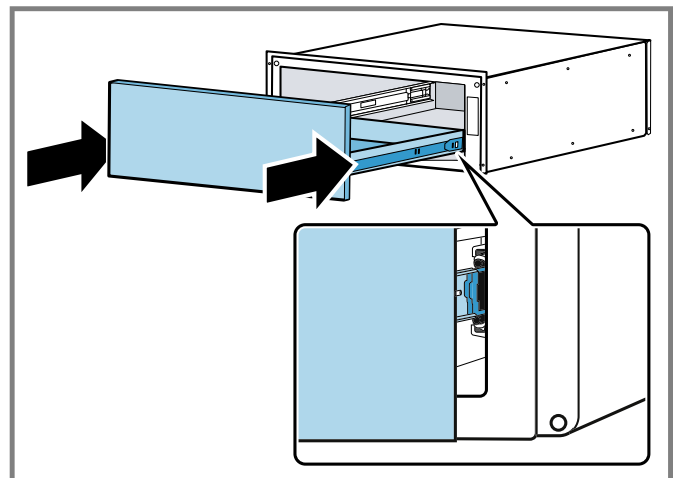
Requirement: The slides mounted to each side of the housing wall have two moving components, an inner rail and a ball bearing carrier which need to be in the proper orientation for accurate installation and alignment. There is also a visible locking mechanism located at the rear of each slide.

1. Slide the inner rail to the locked position by pushing it toward the rear of the housing until it locks in place.

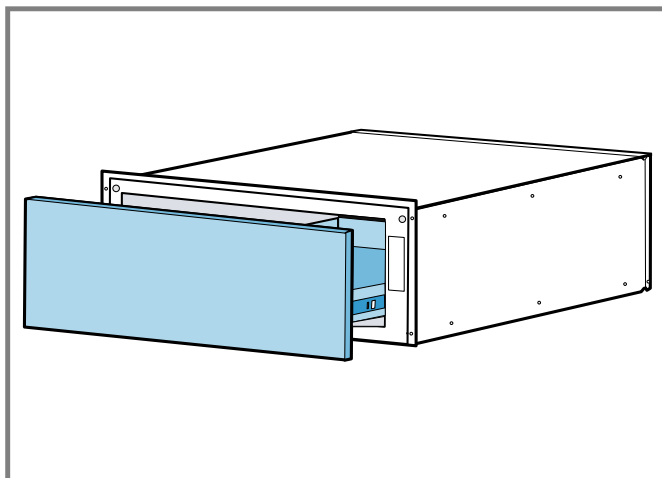


Note: A moderate force pushing on the black plastic ball carrier locking mechanism is required to activate the lock. When the drawer is installed, the locking mechanism prevents the drawer from springing back to the open position.

2. Position the warming drawer in front of the drawer housing. Align the rail with the plastic rail tip to the ball carrier slide.



- Keep the drawer assembly level and square to the housing and gently insert the drawer to the housing, until a slight increase in resistance is felt at the approximate position shown below.



Notes

- A slight side-to-side wiggle motion may be required to properly get the ball bearings to accurately align.
 - If more than a moderate force is required to insert the drawer, remove the drawer and repeat the installation procedure.
- Push the drawer in fully. An audible “click” should be heard when the drawer is properly closed causing the drawer to lock in the closed position.

8 Testing the operation

Check if your unit is working properly after you have completed the installation steps.

- Turn on power at the breaker.
- To test the oven select the **Bake** mode. See the User Manual for detailed operating instructions.
- Verify that the oven light comes on and the oven begins to preheat.

9 Customer Service

With any warranty repair, we will make sure your appliance is repaired by an authorized service provider using genuine replacement parts. We use only genuine replacement parts for all repairs.

Detailed information on the warranty period and terms of warranty can be found in the Statement of Limited Product Warranty, from your retailer, or on our website.

If you contact Customer Service, you will need the model number (E-Nr.) and the production number (FD) of your appliance.

USA:

1-800-735-4328

www.thermador.com/support

www.thermador.com/us/accessories

CA:

1-800-735-4328

www.thermador.ca

www.thermador.ca/en/support/filters-cleaners-accessories

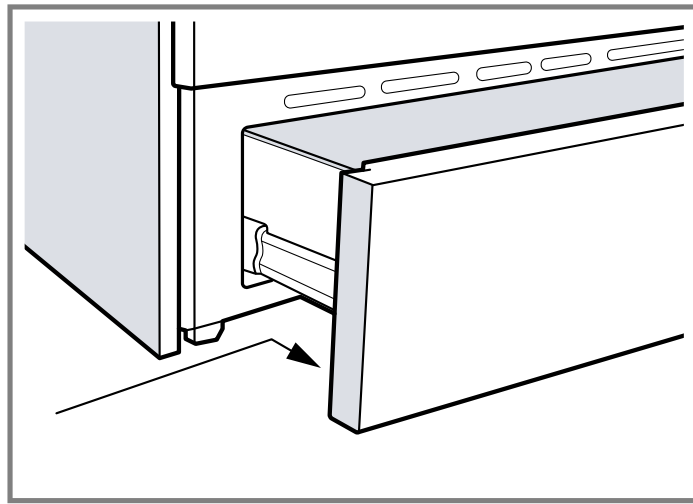
9.1 Model number (E-Nr.) and production number (FD)

You can find the model number (E-Nr.) and the production number (FD) on the appliance's rating plate.

Making a note of your appliance's details and the Customer Service telephone number will enable you to find them again quickly.

9.2 Rating plate location

You can find the rating plate of your appliance:



a Rating plate

Table des matières

1 IMPORTANTES CONSIGNES DE SÉCURITÉ	19
1.1 Définitions des termes de sécurité	19
1.2 Informations générales.....	19
1.3 Consignes générales de sécurité	19
1.4 Manipulation sécuritaire des appareils	20
1.5 Lieu d'installation.....	21
1.6 Codes et normes de sécurité	21
1.7 Sécurité électrique	21
1.8 EXIGENCES DE DÉGAGEMENT ARRIÈRE	22
1.9 Mises en garde conformément à la proposition 65 de l'État de Californie	22
1.10 Transport	22
2 Avant de commencer.....	23
2.1 Pièces incluses	23
2.2 Outils et pièces nécessaires.....	23
2.3 Exigences d'alimentation et mise à la terre	23
3 Retirer l'emballage.....	23
4 Exigences d'installation	23
4.1 Dimensions de l'électroménager	23
4.2 Exigences concernant l'emplacement	24
5 Avant l'installation	25
5.1 Montage de la console anti-basculement	25
5.2 Retrait de la porte du four.....	25
6 Raccordement électrique	26
6.1 Exigences électriques	27
6.2 Acheminement du cordon électrique	27
6.3 Préparation à la connexion électrique	27
6.4 Installation d'une connexion à quatre fils.....	28
6.5 Installation d'une connexion à trois fils	28
6.6 Connexion d'une connexion de conduit flexible	29
7 Installer la cuisinière dans les armoires	30
7.1 Réglage des pieds de nivellement.....	30
7.2 Glisser la cuisinière dans l'ouverture	31
7.3 Réinstallation de la porte du four.....	31
7.4 Retrait du tiroir chauffe-plat du boîtier du tiroir.....	32
7.5 Réinstallation du tiroir chauffant dans le boîtier du tiroir.....	32
8 Opération d'essai.....	33
9 Service à la clientèle.....	33
9.1 Numéro de modèle (E-Nr.) et numéro de fabrication (FD)	34
9.2 Emplacement de la plaque signalétique	34



IMPORTANTES CONSIGNES DE SÉCURITÉ

LIRE ET CONSERVER CES INSTRUCTIONS

Lisez attentivement toutes les instructions avant d'utiliser l'appareil. Afin de réduire les risques d'incendie, d'électrocution et de blessures corporelles lorsque vous utilisez l'appareil, suivez les précautions de base, et notamment les consignes de sécurité suivantes.

⚠ AVERTISSEMENT :

Ne jamais faire fonctionner la surface de la table de cuisson de cet appareil sans surveillance.

- **Le non-respect de cet avertissement pourrait entraîner un risque d'incendie, d'explosion ou de brûlure qui pourrait provoquer des dommages matériels, des blessures ou un décès.**
- **En cas d'incendie, se tenir à l'écart de l'appareil et appeler immédiatement les pompiers.**

NE PAS ESSAYER D'ÉTEINDRE UN INCENDIE DE GRAISSE OU D'HUILE AVEC DE L'EAU.

1.1 Définitions des termes de sécurité

Vous trouverez ici des explications sur les mots de signalisation de sécurité utilisés dans ce manuel.

⚠ AVERTISSEMENT

Signale un risque de mort ou de blessure grave si l'avertissement n'est pas respecté.

⚠ MISE EN GARDE

Signale un risque de blessures mineures ou modérées si l'avertissement n'est pas respecté.

AVIS :

Ceci indique que la non-conformité à cet avis de sécurité peut entraîner des dégâts matériels ou endommager l'appareil.

Remarque : Ceci vous signale des informations et/ou indications importantes.

1.2 Informations générales

Vous trouverez ici des informations générales sur ce manuel.

- Veuillez lire attentivement ce manuel.
- Respectez les consignes de sécurité et les avertissements.
- Conservez le manuel et les informations sur le produit dans un endroit sûr pour référence future ou pour le prochain propriétaire.

- Vérifiez que l'appareil n'est pas endommagé après l'avoir déballé. Ne branchez pas l'appareil s'il a été endommagé pendant le transport.

Tous les manuels des produits peuvent être téléchargés en ligne à l'adresse www.thermador.ca/fr/soutien/manuels-du-propretaire.

1.3 Consignes générales de sécurité

IMPORTANT : L'APPAREIL DOIT ÊTRE INSTALLÉ PAR UN INSTALLATEUR QUALIFIÉ.

IMPORTANT : CONSERVEZ CES INSTRUCTIONS POUR L'UTILISATION DE L'INSPECTEUR ÉLECTRIQUE LOCAL.

PROPRIÉTAIRE : VEUILLEZ CONSERVER CES INSTRUCTIONS POUR RÉFÉRENCE FUTURE.

Examinez l'appareil après l'avoir déballé. En cas de dommage en cours de transport, ne branchez pas l'appareil.

AVERTISSEMENT

Si les consignes du présent manuel ne sont pas suivies à la lettre, il y a un risque d'incendie ou d'électrocution pouvant entraîner des dommages matériels ou des blessures.



IMPORTANTES CONSIGNES DE SÉCURITÉ

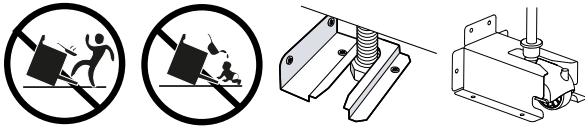
LIRE ET CONSERVER CES INSTRUCTIONS

Ne pas réparer, remplacer ni retirer toute pièce de l'électroménager à moins que cela ne soit spécifiquement recommandé par les manuels. L'installation, les réparations ou l'entretien inadéquats pourraient causer des blessures ou des dégâts matériels.

- ▶ Consulter ce manuel pour les directives d'utilisation.
- ▶ Toutes les autres réparations doivent être effectuées par un prestataire de services agréé.

AVERTISSEMENT

RISQUE DE BASCULEMENT SUR LES CUISINIÈRES



- ▶ Toutes les cuisinières peuvent basculer et entraîner des blessures. Pour éviter tout basculement accidentel de la cuisinière, fixez-la au sol, au mur ou à l'armoire en installant le support anti-basculement fourni.
- ▶ Un enfant ou un adulte peut faire basculer la cuisinière et être tué ou gravement blessé. Vérifiez que le support antibasculement est correctement installé. Assurez-vous que le support anti-basculer est engagé lorsque la cuisinière est déplacée.
- ▶ **NE PAS** faire fonctionner la cuisinière si le support antibasculement n'est pas en place. Non-respect des instructions de ce manuel peut entraîner la mort ou des brûlures graves pour les enfants et les adultes.
- ▶ Si la cuisinière est déplacée pour le nettoyage, l'entretien ou toute autre raison, assurez-vous que le support anti-basculer est correctement ré-engagé lorsque la cuisinière est remise en place. En cas d'utilisation anormale (telle qu'une personne debout, assise ou appuyée sur une porte ouverte), le non-respect de cette précaution peut entraîner le basculement de la cuisinière. Des blessures peuvent résulter du déversement de liquides chauds ou de la cuisinière elle-même.
- ▶ Vérifiez que le support anti-basculement est correctement installé et utilisé. Inclinez délicatement la cuisinière vers l'avant de l'arrière pour s'assurer que le support anti-basculer s'engage dans la patte de la cuisinière et empêche le renversement. La cuisinière ne doit pas se déplacer de plus de 1 po (2,5 cm).

AVERTISSEMENT

NE PAS installer cet appareil à l'extérieur.

AVERTISSEMENT

Ne jamais modifier ni altérer la structure de l'appareil électroménager.

- ▶ Par exemple, ne retirez pas les pieds d'ajustement, les panneaux, les couvre-fils ou les vis ou supports anti-basculement.

Utilisez uniquement l'appareil électroménager s'il a été installé par un technicien qualifié conformément aux présentes instructions d'installation. Le fabricant ne peut pas être tenu responsable de tous dommages causés par une installation inadéquate.

Pour éliminer le risque de brûlure ou d'incendie lorsque vous vous étirez au-dessus des surfaces chauffantes de l'électroménager, il faut éviter d'installer des armoires de rangement au-dessus de la surface de l'électroménager.

- ▶ Si une armoire de rangement est installée, il est possible de réduire le risque en installant une hotte qui dépasse (horizontalement) d'au moins 5 po (127 mm) le bord du fond de l'armoire.
- ▶ Vérifier que la profondeur des armoires au-dessus de la table de cuisson est au maximum de 13 po (330 mm).

AVERTISSEMENT

Retirer tout le ruban adhésif et l'emballage avant d'utiliser l'électroménager.

- ▶ Éliminez l'emballage d'une manière respectueuse de l'environnement.
- ▶ Ne laissez jamais les enfants jouer avec le matériel d'emballage.
- ▶ Conservez les pièces de petite taille dans un endroit sûr, car elles peuvent être avalées facilement.

1.4 Manipulation sécuritaire des appareils

AVERTISSEMENT



L'unité est lourde et son déplacement exige au moins deux personnes ou encore un équipement approprié.

- ▶ Ne pas soulever l'appareil par la poignée de porte.
- ▶ Retirez la porte pour une manipulation et une installation plus faciles. Voir les instructions dans ce manuel.



IMPORTANTES CONSIGNES DE SÉCURITÉ

LIRE ET CONSERVER CES INSTRUCTIONS

AVERTISSEMENT



Certaines surfaces cachées peuvent avoir des rebords tranchants.

- ▶ Redoubler de vigilance quand vous passez la main derrière ou sous l'appareil électroménager.
- ▶ Portez des gants pour éviter de vous couper les doigts sur les rebords pointus au cours de l'installation.

1.5 Lieu d'installation

Pour éliminer le risque de brûlure ou d'incendie lorsque vous vous étirez au-dessus des surfaces chauffantes de l'électroménager, il faut éviter d'installer des armoires de rangement au-dessus de la surface de l'électroménager. Si une armoire de rangement est installée, il est possible de réduire le risque en installant une hotte qui dépasse horizontalement d'au moins 5 po (12,7 mm) le bord du fond de l'armoire.

Vérifiez que les armoires au-dessus de la cuisinière ont une profondeur maximale de 13 po (330 mm).

1.6 Codes et normes de sécurité

Cet appareil est conforme aux plus récentes versions de l'une ou plus des normes suivantes :

- CAN/CSA C22.2 no 61 - Cuisinières domestiques
- CAN/CSA C22.2 No. 64 - Appareils ménagers de cuisson et de chauffage à liquide
- UL 1026 - Appareils électroménagers pour la cuisson et la préparation des aliments
- UL 858 - Cuisinières électriques domestiques

Il est de la responsabilité du propriétaire et de l'installateur de déterminer si des exigences et/ou des normes supplémentaires s'appliquent à des installations spécifiques.

1.7 Sécurité électrique

- **Installateur** - indiquez au propriétaire l'emplacement du disjoncteur ou du fusible. Identifiez sa position pour pouvoir le retrouver facilement.
- S'il y a lieu, conformément au Code national de l'électricité (ou au Code canadien de l'électricité), cet appareil doit être installé sur un circuit de dérivation séparé.

- Les codes locaux peuvent varier. L'installateur est responsable de s'assurer que l'installation, les connexions et la mise à la terre sont conformes à tous les codes applicables. Le fabricant n'est pas responsable d'une installation incorrecte ou du non-respect des codes et réglementations locaux appropriés.
- Assurez-vous que votre appareil est correctement installé et mis à la terre par un technicien qualifié, conformément à la norme NFPA 70 ou à la dernière édition de la norme CSA C22.1 et aux exigences du code électrique local.
- Seul une trousse de cordon d'alimentation conçu pour cet appareil et marqué « À utiliser avec les cuisinières » doit être utilisé.
- Voir la fiche signalétique pour plus d'information.
→ "Emplacement de la plaque signalétique", Page 34

AVERTISSEMENT

Avant l'installation, couper l'alimentation au panneau de service.

- ▶ Verrouiller le panneau de service pour empêcher que l'alimentation ne soit rétablie par accident.

AVERTISSEMENT



RISQUE D'ÉLECTROCUTION

- ▶ Débranchez l'alimentation avant l'installation ou l'entretien. Avant de rétablir l'alimentation, s'assurer que toutes les commandes sont à la position d'arrêt (OFF).
- ▶ NE PAS enlever de raccords.
- ▶ NE PAS utiliser de rallonge.
- ▶ Une mise à la terre inadéquate peut entraîner un risque d'électrocution.
- ▶ Tout manquement à ces directives peut entraîner la mort ou une électrocution, ou déclencher un incendie.

INSTRUCTIONS DE MISE À LA TERRE

- ▶ Cet appareil doit être mis à la terre.
- ▶ La mise à la terre réduit le risque de choc électrique en fournissant une voie sûre pour le courant électrique en cas de court-circuit.
- ▶ Assurez-vous que l'appareil est correctement installé et mis à la terre par un technicien qualifié.
- ▶ L'installation, les raccordements électriques et la mise à la terre doivent être conformes avec tous les codes en vigueur.



IMPORTANTES CONSIGNES DE SÉCURITÉ

LIRE ET CONSERVER CES INSTRUCTIONS

N'utilisez pas de rallonge. Si le cordon d'alimentation est trop court, demandez à un électricien ou un technicien qualifié d'installer une prise à proximité de l'appareil. Avant de mettre sous tension la source d'alimentation, vérifiez que toutes les commandes sont à la position OFF (Arrêt).

1.8 EXIGENCES DE DÉGAGEMENT ARRIÈRE

Pour éviter de tacher le mur arrière, on recommande des matériaux de construction non-poreux, résistants à haute température qui conviennent à un environnement propre à la cuisson.

IMPORTANT : Il est possible que la paroi arrière se décolore sous certaines conditions de cuisson.

Tous les modèles répertoriés conviennent à un dégagement arrière de 0 po par rapport aux surfaces combustibles.

Les dégagements doivent être approuvés par les codes locaux et/ou par l'autorité locale compétente.

Les dégagements pour matériaux non combustibles ne sont pas abordés dans la norme ANSI Z21.1 et ne sont pas certifiés par la CSA.

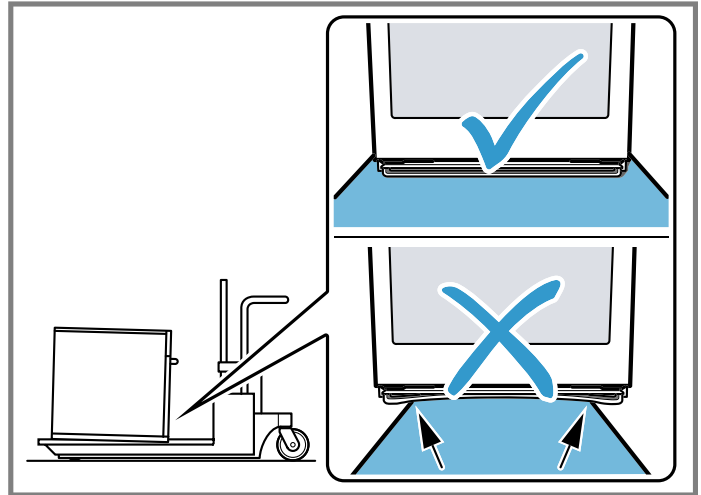
1.9 Mises en garde conformément à la proposition 65 de l'État de Californie

Ce produit pourrait contenir un produit chimique reconnu par l'État de la Californie comme cancérigène ou ayant des effets nocifs sur la reproduction. Par conséquent, vous pourriez devoir apposer l'étiquette suivante sur l'emballage du produit comme requis par la Californie :

AVERTISSEMENT ISSUE DE LA PROPOSITION 65 DE L'ÉTAT DE LA CALIFORNIE :

 **AVERTISSEMENT**

Cancer et dommages à la reproduction -
www.P65Warnings.ca.gov



1.10 Transport

Suivez ces précautions lors du transport de votre appareil.

AVIS :

Pour éviter d'endommager l'appareil, utilisez la méthode de transport illustrée ci-dessous.

2 Avant de commencer

Lisez ces instructions avant de commencer l'installation de votre appareil.

Ce manuel d'installation couvre plusieurs modèles. Tous graphiques sont représentatifs. Votre appareil peut varier en apparence et en fonctionnalités.

2.1 Pièces incluses

Après avoir déballé le produit, inspectez toutes les pièces pour détecter d'éventuels dégâts dus au transport et pour vous assurer de l'intégralité de la livraison.

- Support anti-bascule
- 2 x vis à bois
- 2 x vis à béton sans ancrage
- Bande de mousse; s'il n'est pas déjà installé sur les bords sous la table de cuisson
- Cosses de borne; pour une utilisation avec des installations câblées (non requis pour les installations canadiennes)

2.2 Outils et pièces nécessaires

Préparez ces outils et accessoires avant de commencer à installer votre électroménager.

Outils

- Crayon
- Ruban à mesurer
- Niveau
- Couteau
- Tournevis cruciforme
- Tournevis à tête plate
- Clé 1 ¼ po
- Clé à pipe
- Perceuse et mèche à maçonnerie 3/16 po pour vis à béton
- Gants de sécurité
- Lunettes de protection
- Tissu ou carton pour protéger le sol

Pièces

- Trousse de cordon d'alimentation 40 ou 50 A avec décharge de traction; selon les codes locaux. (Non nécessaire pour les installations canadiennes, le cordon est préinstallé en usine.)

Pièces supplémentaires nécessaires pour les installations câblées

- Un conduit flexible
- Clé dynamométrique

2.3 Exigences d'alimentation et mise à la terre

La prise de courant doit être correctement mise à la terre selon tous les codes applicables.

3 Retirer l'emballage

1. Coupez les sangles de la boîte.
2. Ouvrez le haut du carton et retirez le cadre supérieur en bois.
3. Placez l'unité devant l'armoire où elle doit être installée. L'unité doit être alignée avec la découpe de l'armoire. Laissez l'unité sur la base de l'emballage jusqu'à ce qu'elle soit prête à être soulevée dans la découpe de l'armoire.
4. Retirez le carton en la soulevant à la verticale pour l'enlever de l'unité.

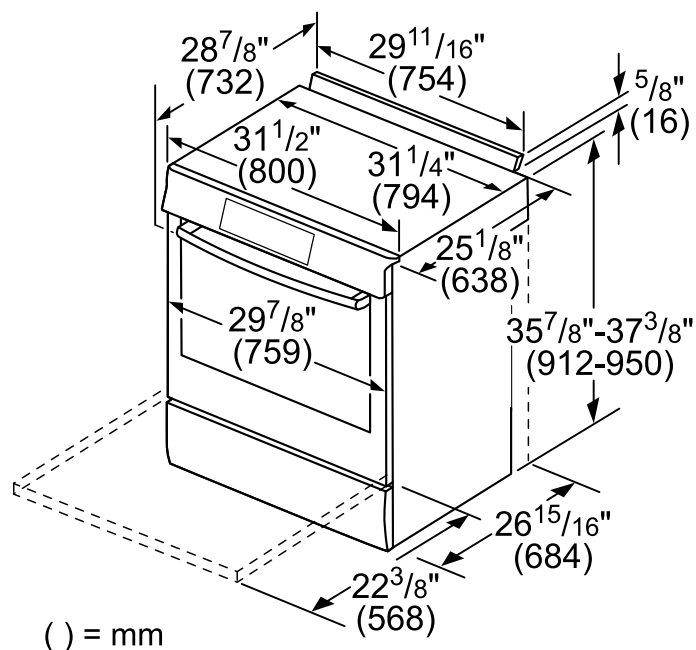
Alternativement, vous pouvez couper soigneusement le long de la ligne de coupe sur le côté arrière gauche du carton avec une lame plus courte que 3/4 po (20 mm).

5. Retirez tous les emballages de protection internes, les grilles, les accessoires et les manuels d'instructions de la cavité du four.

4 Exigences d'installation

Lisez ces instructions pour préparer l'espace d'installation de votre appareil.

4.1 Dimensions de l'électroménager



4.2 Exigences concernant l'emplacement

⚠ AVERTISSEMENT

Pour éliminer le risque de brûlure ou d'incendie lorsque vous vous étirez au-dessus des surfaces chauffantes de l'électroménager, il faut éviter d'installer des armoires de rangement au-dessus de la surface de l'électroménager.

- ▶ Si une armoire de rangement est installée, il est possible de réduire le risque en installant une hotte qui dépasse horizontalement d'au moins 5 po (12,7 mm) le bord du fond de l'armoire.
- Les armoires, les comptoirs, les murs et les planchers du lieu d'installation doivent être de niveau. Les écarts peuvent endommager les plans de travail et les planchers pendant l'installation, et peuvent nuire aux performances de cuisson et de cuisson.
- Certaines finitions d'armoires ne peuvent pas survivre aux températures autorisées par les normes de sécurité, en particulier les fours autonettoyants; les armoires peuvent se décolorer ou faire des taches. Ceci est particulièrement visible avec les armoires en stratifié.
- Une prise de circuit dédiée à montage encastré de 208/240 VCA est requise.
- Scellez tous les trous dans les murs ou le sol. Retirez toutes les obstructions (connexions électriques ou de gaz supplémentaires, etc.) afin que la cuisinière repose correctement contre le mur.

Conseils

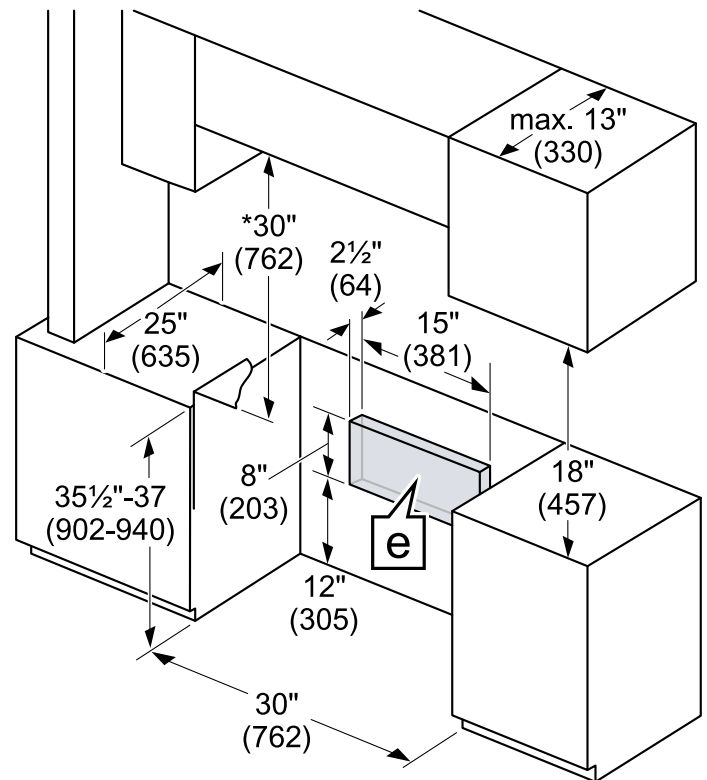
- Pour faciliter l'installation, retirez la porte du four et le tiroir-réchaud (voir « Retrait de la porte du four » et Retrait du tiroir-réchaud). Si le tiroir-réchaud n'est pas retiré, du ruban adhésif doit être placé solidement sur le tiroir-réchaud avant l'installation pour l'empêcher de s'ouvrir pendant l'installation de la cuisinière.
- Placez un morceau de carton ou de tissu sous la cuisinière pendant l'installation pour protéger les sols.

Dégagements requis

- Thermador recommande les dégagements minimaux contenus dans ce manuel. Les dégagements par rapport aux matériaux non combustibles ne sont pas certifiés par la CSA. Les dégagements autres que ceux indiqués dans ce manuel doivent être approuvés par les codes locaux et/ou par les autorités locales compétentes.
- Ces instructions ont été déterminées à l'aide d'armoires américaines standard. Les armoires de base standard mesurent 36 po (91,4 cm) de hauteur x 25 po (63,5 cm) de profondeur. Si des armoires non standard sont utilisées, il faut prendre soin de modifier les dimensions en conséquence.
- Laisser un minimum de 30 po (76,2 cm) entre les armoires où la cuisinière doit être installée. Aucun dégagement latéral n'est requis.
- Il doit y avoir un dégagement minimum de 30 po (762 mm) entre le dessus de la surface de cuisson et une surface combustible aérienne. Si vous installez un

évent au plafond ou un four à micro-ondes au-dessus de la cuisinière, reportez-vous aux dégagements spécifiés avec ces produits.

- Cet appareil est conçu pour être installé à proximité de murs adjacents et de surfaces en saillie construites avec des matériaux combustibles. Aucun dégagement n'est requis entre les murs de l'unité et les murs combustibles verticaux adjacents sur les côtés arrière, droit ou gauche.
- Les armoires au-dessus de la surface de cuisson et les armoires adjacentes à celles au-dessus de la surface de cuisson mesurent 13 po (33 cm) de profondeur à partir du mur du fond.
- La hauteur de la gamme est réglée en ajustant les pattes de la cuisinière (voir « Réglage des pattes »).



Les matériaux ignifuges portent la marque : UNDERWRITERS LABORATORIES INC. CARTES MINÉRALES ET EN FIBRE CLASSIFIÉES CARACTÉRISTIQUES DE BRÛLAGE DE SURFACE, suivies de la propagation de la flamme et des cotes de fumée. Ces désignations sont indiquées comme « FHC (Flame Spread/Smoke Developed) ». Les matériaux avec des indices de propagation de flamme « O » sont ignifuges. Les codes locaux peuvent autoriser d'autres cotes de propagation des flammes. Il est de la responsabilité de l'installateur de s'assurer que l'installation est conforme à ces cotes.

Exigences concernant la ventilation

Thermador recommande fortement l'installation d'une hotte de ventilation au-dessus de cette cuisinière.

Pour la plupart des cuisines, une cote de hotte certifiée d'au moins 300 pi3/min est recommandée. La cuisinière doit être installée conformément aux instructions fournies avec la hotte.

5 Avant l'installation

Effectuez ces étapes pour préparer votre appareil à l'installation.

5.1 Montage de la console anti-basculement

La cuisinière peut basculer vers l'avant, pouvant causer des blessures et des dommages, si le support antibasculement n'est pas correctement installé. Ne pas faire fonctionner la cuisinière si le support antibasculement n'est pas en place.

⚠ AVERTISSEMENT

Un enfant ou un adulte peut renverser le four et être tué.

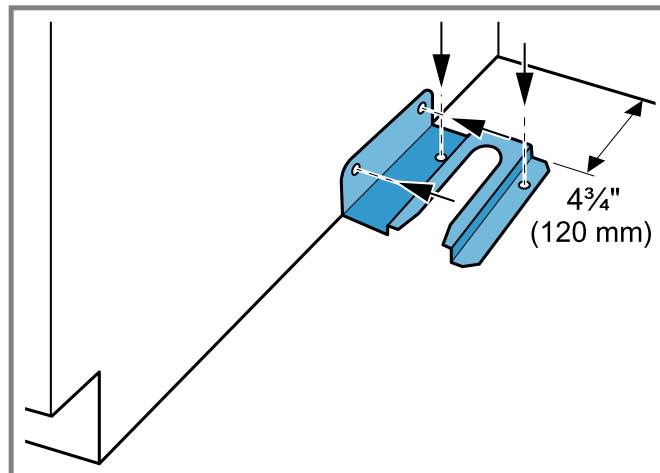
- ▶ Vérifiez que le support antibasculement est correctement installé. Assurez-vous que le support antibasculé est engagé lorsque la cuisinière est déplacée.

⚠ AVERTISSEMENT

RISQUE D'ÉLECTROCUTION

- ▶ Soyez extrêmement prudent lorsque vous percez des trous dans le mur ou le sol, car des fils électriques peuvent être dissimulés.
- ▶ Identifiez les circuits électriques qui pourraient être affectés par l'installation du support anti-basculé, puis mettez ces circuits hors tension.
- ▶ Le non-respect de ces instructions peut entraîner un choc électrique ou d'autres blessures.

1. Positionnez le support comme indiqué dans le coin arrière gauche de l'ouverture d'installation, contre la paroi arrière et la paroi gauche de l'armoire.



Remarque : La surface de montage doit être sécurisée. Lors du montage sur la paroi de l'armoire, assurez-vous que les vis s'engagent dans le cadre de l'armoire. N'utilisez pas de bloc ou d'entretoise pour combler un espace entre le support antibasculement et la paroi de l'armoire. N'essayez pas de l'ancrer dans une cloison sèche.

2. Fixez le support avec deux vis au sol ou à la base de la paroi de l'armoire. Selon le sol ou le matériau de l'armoire, utilisez des vis à bois ou à béton sans ancrage (incluses). Les vis à béton nécessitent l'utilisation d'un foret à maçonnerie de 3/16 po.

5.2 Retrait de la porte du four

Il est recommandé de retirer la porte du four pour réduire le poids de l'appareil et pour faciliter sa manipulation et son installation.

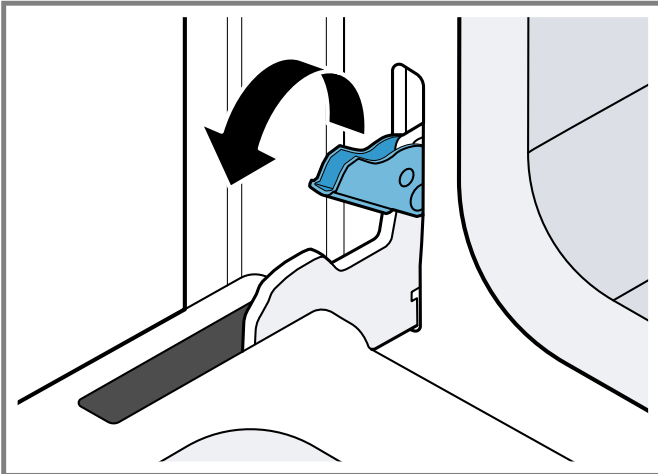
⚠ AVERTISSEMENT

Le non-respect de ces instructions lors du retrait de la porte du four peut entraîner des blessures ou endommager le produit.

- ▶ Avant de démonter la porte, s'assurer que le four soit froid et que le courant qui l'alimente a été coupé. Le non-respect de cette précaution pourrait entraîner un choc électrique ou des brûlures.
- ▶ La porte du four est lourde et certaines parties sont fragiles. Utilisez les deux mains pour retirer la porte du four.
- ▶ Le devant de la porte est en verre. Manipulez-la avec précaution pour éviter des cassures.
- ▶ Saisir uniquement les côtés de la porte. Ne saisissez pas la poignée. Il peut osciller dans votre main et provoquer des dommages ou des blessures. Si la porte du four n'est pas saisie fermement et correctement, il y a un risque de blessure ou de dommage à l'appareil.
- ▶ Pour éviter toute blessure causée par l'enclenchement soudain du support de charnière, s'assurer que les deux leviers sont bien enclenchés avant d'enlever la porte.

- ▶ Ne forcez pas la porte pour l'ouvrir ou la fermer. La charnière pourrait être endommagée et provoquer des dommages ou des blessures.
- ▶ Ne pas déposer la porte sur des objets acérés ou pointus, car ils risquent de briser la vitre. Posez-la sur une surface plane et lisse, positionnée de manière à ce que la porte ne puisse pas tomber.

1. Ouvrez la porte du four dans sa position complètement ouverte.
2. Basculez les leviers des charnières vers vous.

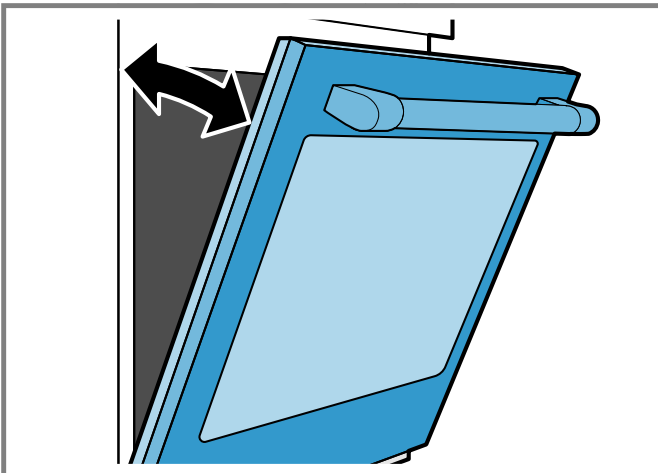


Si nécessaire, utilisez un outil, tel qu'un tournevis, pour retirer délicatement la partie supérieure du levier du boîtier. Veillez à ne pas rayer le boîtier.

3. Amenez les deux leviers de charnière de porte à leur position la plus basse. Les charnières gauche et droite de la porte diffèrent légèrement, mais fonctionnent de la même manière.

4. **⚠ MISE EN GARDE** Suivez les instructions ci-dessous pour empêcher le loquet de se refermer et de pincer ou de vous couper la main.

Fermez la porte du four jusqu'à ce qu'elle s'accroche sur les leviers d'arrêt des charnières, verrouillant ainsi les charnières au bon angle pour le démontage de la porte.

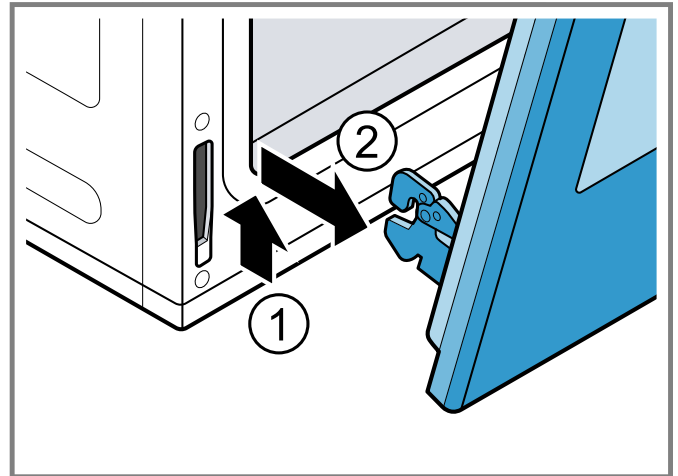


- ✓ La porte sera ouverte d'environ 18 cm (7 po) en haut.

5. **⚠ MISE EN GARDE** La porte est lourde.

- ▶ Ne saisissez pas la porte par la poignée.
- ▶ Utilisez les deux mains pour le saisir fermement par les côtés.

En maintenant l'angle de la porte, soulevez la porte vers le haut d'environ 2 cm (3/4 po) pour décrocher les charnières des fentes, puis tirez-la vers vous jusqu'à ce que les charnières soient dégagées du boîtier du four.



6. Placez la porte dans un endroit pratique et stable. Ne posez pas la porte sur sa poignée. Cela pourrait provoquer des bosses ou des rayures.

6 Raccordement électrique

Lisez ces instructions pour connecter votre appareil en toute sécurité à l'alimentation électrique.

⚠ AVERTISSEMENT

N'utilisez pas de rallonge. Si le cordon d'alimentation est trop court, demandez à un électricien ou un technicien qualifié d'installer une prise à proximité de l'appareil. Pour éviter tout risque de choc électrique, la prise de terre du cordon de la cuisinière ne doit en aucun cas être coupée ou retirée.

- ▶ Elle doit être reliée à une prise de type mise à la terre adaptée et connecté à un circuit de 240 volts correctement polarisé.
- ▶ En cas de doute concernant la mise à la terre appropriée de la prise murale, le faites-la vérifier par un électricien qualifié.
- La cuisinière peut être raccordée à l'aide d'un cordon de cuisinière électrique ou d'un raccord électrique à conduit flexible.
- Utilisez uniquement des trousse de cordons de 125/250 volts, 40 ampères (minimum) et étiquetés « À utiliser avec les cuisinières ».
- Il est recommandé que seules des personnes qualifiées ajoutent un cordon d'alimentation ou effectuent des branchements électriques sur cet appareil.

Remarque : Au Canada, la cuisinière est expédiée de l'usine avec le cordon de la cuisinière déjà installé. Continuez à installer la cuisinière dans les armoires.

6.1 Exigences électriques

Assurez-vous que votre installation électrique prend en charge les exigences suivantes.

Cet appareil doit être alimenté avec la tension et la fréquence appropriées et connecté à un circuit de dérivation individuel correctement mis à la terre, protégé par un disjoncteur ou un fusible dont l'ampérage est spécifié sur la plaque signalétique. La plaque signalétique est située au-dessus du tiroir sur le cadre du four. Voir les informations sur la plaque signalétique. → Page 34

Vérifiez auprès de vos services publics locaux les codes électriques qui s'appliquent dans votre région. Le fait de ne pas câbler votre appareil conformément aux codes en vigueur peut entraîner une situation dangereuse. S'il n'y a pas de codes locaux, votre cuisinière doit être câblée et fusionnée pour répondre aux exigences du National Electrical Code, ANSI / NFPA n ° 70 – Dernière édition.

La gamme nécessite au moins un circuit CA à trois fils 120/240 V ou 120/208 V, 40 - 50 A, 60 Hz. Vérifiez les codes locaux pour connaître les ampérages appropriés. Une connexion à quatre fils est préférable. La plupart des réglementations et codes de construction locaux exigent que le câblage électrique soit effectué par des électriciens agréés. Assurez-vous d'installer votre cuisinière conformément aux codes électriques de votre région.

Puissance électrique en kW

Les cuisinières ont une double valeur nominale pour une utilisation sur 120/240 VAC ou 120/208 VAC. Vérifiez l'étiquette de puissance pour la puissance en kW. Reportez-vous à la puissance nominale dans le tableau ci-dessous pour déterminer les besoins en ampérage.

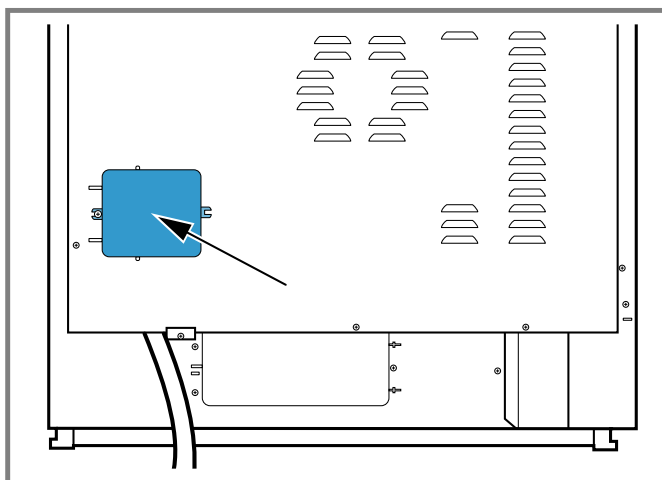
Volts A/C	Hz	Puissance en kW	Disjoncteur Varie selon l'emplacement. Vérifiez les codes locaux
120/240	60	13,0	40 ou 50 A
120/240	60	13,8	40 ou 50 A
120/208	60	9,8	40 ou 50 A
120/208	60	10,4	40 ou 50 A

6.2 Acheminement du cordon électrique

⚠ AVERTISSEMENT

Le serre-câble doit être correctement installé. Les tensions de sûreté peuvent varier. Lisez attentivement et suivez les instructions fournies avec votre serre-câble.

1. Retirez le couvercle dans le coin inférieur gauche du panneau arrière de la cuisinière.



2. Sous le bornier, retirez le débouchure qui correspond à la décharge de traction fournie avec votre cordon de cuisinière.
3. Faites passer le cordon de la cuisinière à travers le trou et le serre-câble jusqu'au bornier.

4. Fixez le serre-câble conformément aux instructions fournies avec le serre-câble.

Remarque : Le panneau à défoncer sous le bornier peut être retiré de la cuisinière pour installer le serre-câble. Retirez le panneau de la cuisinière, installez la décharge de traction dans le panneau et remettez-le en place. NE retirez PAS tout le panneau arrière de la cuisinière.

6.3 Préparation à la connexion électrique

⚠ AVERTISSEMENT

Risque d'électrocution ou de feu. La mise à la terre via le conducteur neutre est interdite pour les nouvelles installations de circuit de dérivation (NEC 1996), les caravanes et les véhicules récréatifs, ou dans une zone où les codes locaux interdisent la mise à la terre via le conducteur neutre.

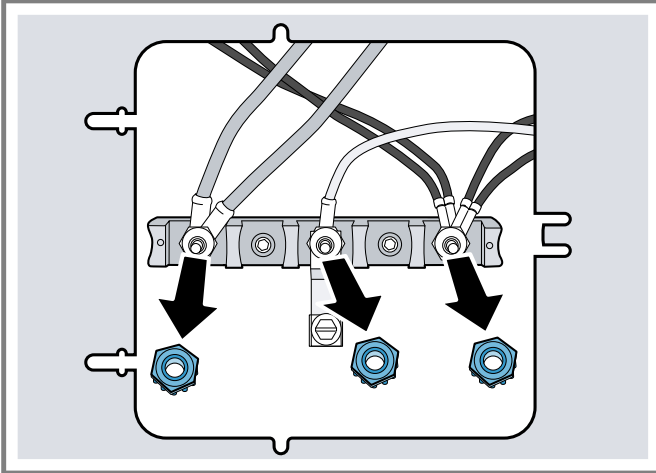
Lorsque la mise à la terre via le conducteur neutre est interdite :

- Déconnectez le lien du neutre.
- Utilisez la borne de mise à la terre ou le fil vers l'unité de terre.
- Connectez la borne neutre au neutre du circuit de dérivation de la manière habituelle. Lorsque l'appareil est connecté grâce à d'une trousse de câbles électriques, utilisez à cet effet un câble à 4 conducteurs.

6.4 Installation d'une connexion à quatre fils

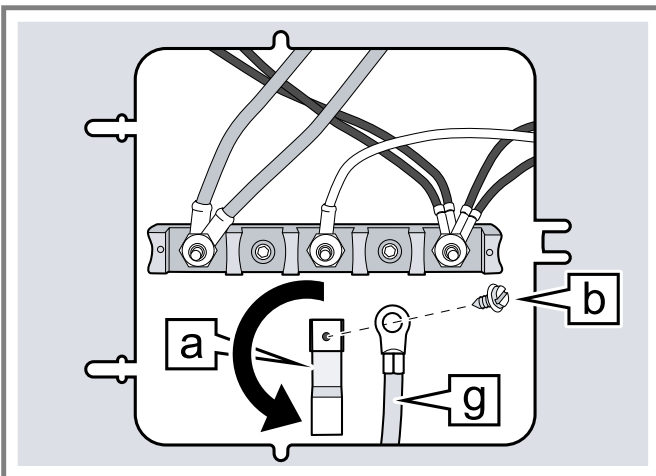
Méthode recommandée.

1. Débranchez l'alimentation électrique au niveau du boîtier des disjoncteurs.
2. Retirez le couvercle du bornier pour mettre le bornier à découvert.
3. Retirez l'écrou supérieur (a une rondelle de blocage attachée) de chaque montant.

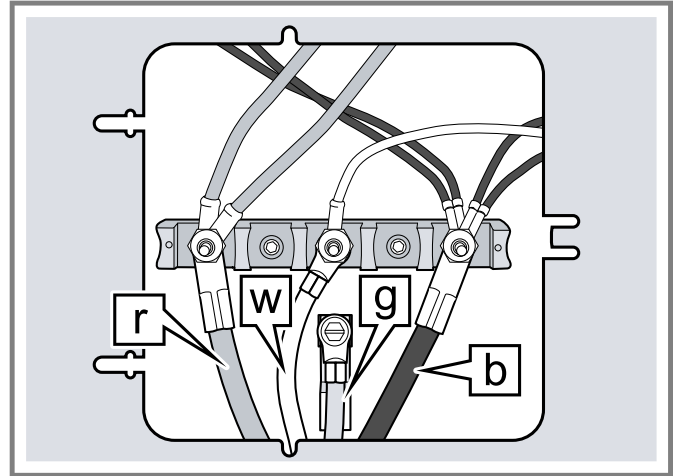


Remarque : NE PAS retirer le deuxième écrou/rondelle sur chaque montant; ceux-ci doivent rester en place pour ancrer le câblage interne attaché au bornier.

4. Retirez la vis de mise à la terre [b] de l'extrémité inférieure du bracelet de mise à la terre.
5. Retirez la barrette de mise à la terre du poteau central du bornier.
6. Faites pivoter la bande de mise à la terre [a] de sorte que l'extrémité large soit vers le haut et alignez le trou avec le trou de mise à la terre sous le bornier.
7. Utilisez la vis de mise à la terre verte [g] pour attacher le fil vert [g] au-dessus de la sangle de mise à la terre.
8. Serrez fermement la vis de mise à la terre, mais ne serrez pas excessivement.



9. Attachez le fil rouge à la borne gauche en utilisant l'un des écrous/rondelles retirés précédemment.



r Rouge

w Blanc

g Vert

b Noir

10. Fixez le fil blanc à la borne centrale à l'aide de l'une des pièces d'écrou/rondelle.
11. Fixez le fil noir à la borne droite du bloc de jonction à l'aide de l'une des pièces d'écrou/rondelle.
12. Vissez bien tous les raccordements et remplacez le couvercle du bornier.
13. Sécurisez convenablement le cordon de sûreté.
→ "Acheminement du cordon électrique", Page 27

Remarque : NE PAS brancher pas la cuisinière à ce moment.

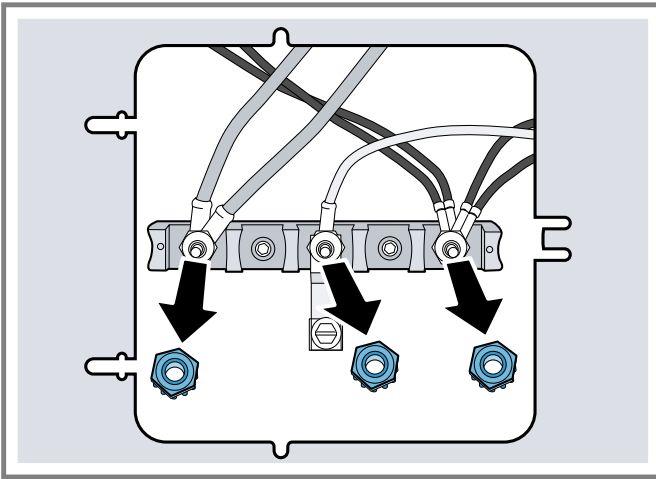
6.5 Installation d'une connexion à trois fils

Méthode alternative

Remarque : La liaison à quatre fils (ci-dessus) est préférable, mais lorsque les codes et arrêtés municipaux permettent la mise à la terre par le neutre et lorsque la conversion en liaison à quatre fils n'est pas pratique, l'appareil peut être raccordé à l'alimentation par une liaison à trois fils.

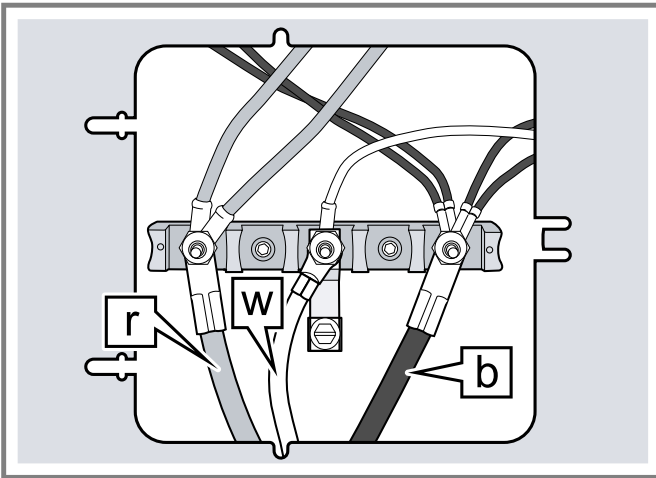
1. Débranchez l'alimentation électrique au niveau du boîtier des disjoncteurs.
2. Retirez le couvercle du bornier pour mettre le bornier à découvert.

3. Retirez l'écrou supérieur (muni d'une rondelle de blocage) de chaque borne.



Remarque : NE PAS retirer le deuxième écrou/rondelle sur chaque montant. Ceux-ci doivent rester en place pour ancrer le câblage interne attaché au bornier.

- Fixez le fil blanc à la borne centrale à l'aide de l'une des pièces d'écrou/rondelle.
- Attachez le fil rouge à la borne gauche en utilisant l'une des pièces d'écrou/rondelle retirées précédemment.
- Fixez le fil noir à la borne droite à l'aide de l'une des pièces d'écrou/rondelle.



r Rouge

w Blanc

b Noir

- Vissez bien tous les raccords et remplacez le couvercle du bornier.
- Sécurisez convenablement le cordon de sûreté.
→ "Acheminement du cordon électrique", Page 27

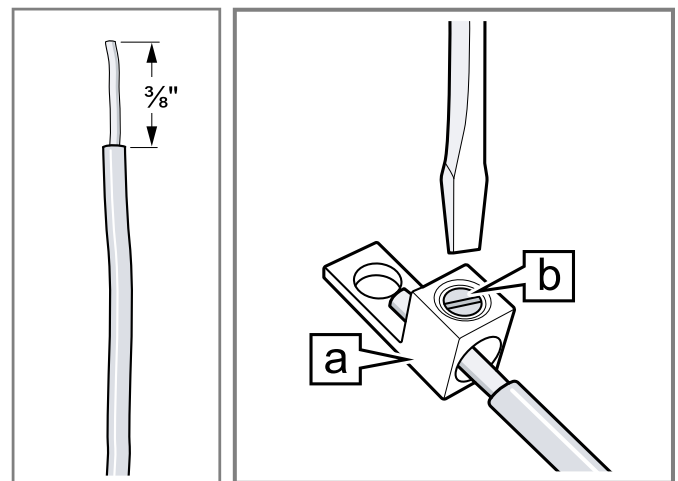
Remarque : NE PAS brancher pas la cuisinière à ce moment.

6.6 Connexion d'une connexion de conduit flexible

La cuisinière peut également être connectée via un conduit flexible. Si vous utilisez cette méthode, utilisez toujours les cosses fournies. Dans chaque cas où un fil doit être attaché à une cosse de borne, effectuez les étapes suivantes.

Remarque : Au Canada, la cuisinière est expédiée de l'usine avec le cordon de la cuisinière déjà installé. Continuez à installer la cuisinière dans les armoires. Pour les installations autres que celles au Canada, connectez le conduit flexible au bornier.

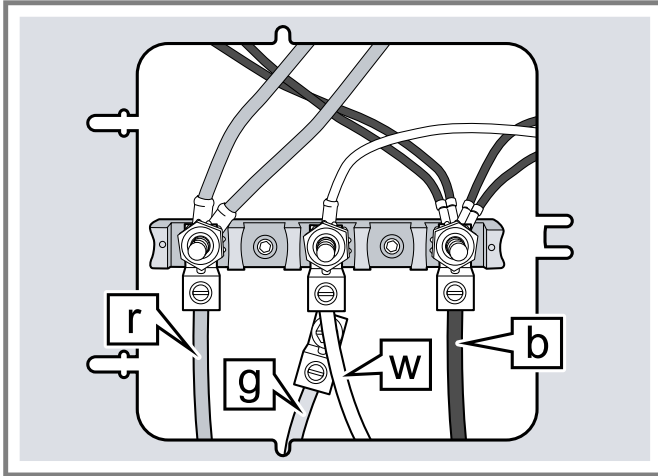
- Dénudez 3/8 po (9,5 mm) d'isolant à l'extrémité du fil.
- Insérez l'extrémité dénudée du fil dans la cosse de borne . Puis serrez chaque vis de serrage avec le couple approprié. Consulter le tableau.



Calibre du fil	Couple (po/lb)	Couple (Nm)
6	35	3,95
8	25	2,82

Installation d'une connexion de conduit flexible à quatre fils

1. Suivez les instructions pour installer une connexion à quatre fils. → Page 28



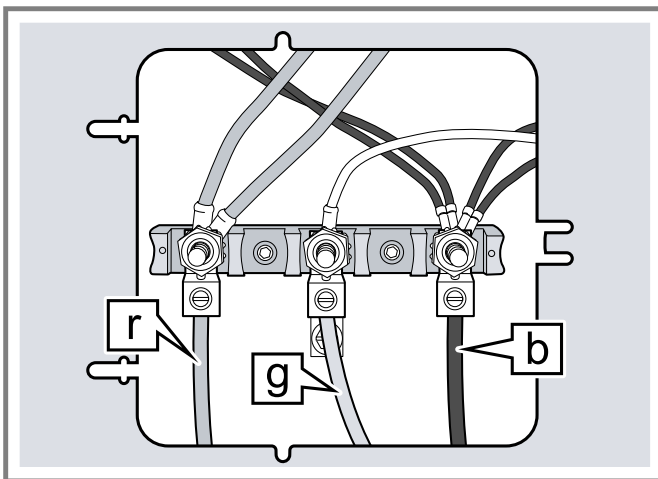
r	Rouge
w	Blanc
g	Vert
b	Noir

2. Fixez correctement le conduit flexible au niveau du débouchement sur l'angle et au niveau de la boîte de jonction côté alimentation. Le câblage est maintenant terminé.

Remarque : NE connectez PAS d'alimentation électrique à la cuisinière à ce moment.

Installation d'une connexion de conduit flexible à trois fils

1. Suivez les instructions pour installer une connexion à trois fils. → Page 28



r	Rouge
g	Vert
b	Noir

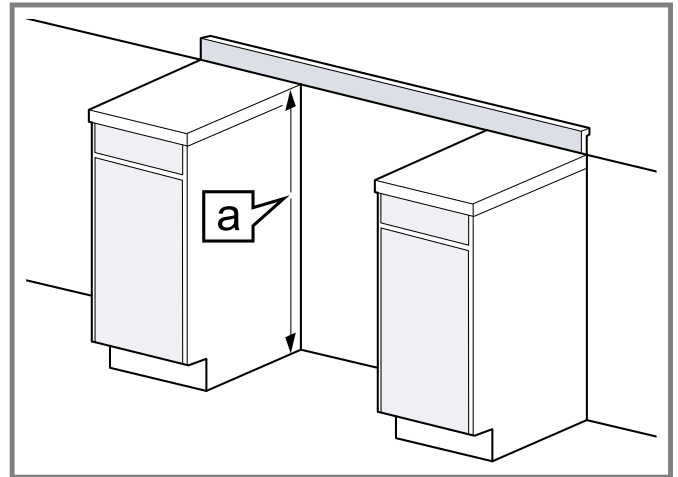
2. Fixez correctement le conduit flexible au niveau du débouchement sur l'angle et au niveau de la boîte de jonction côté alimentation. Le câblage est maintenant terminé.

Remarque : NE connectez PAS d'alimentation électrique à la cuisinière à ce moment.

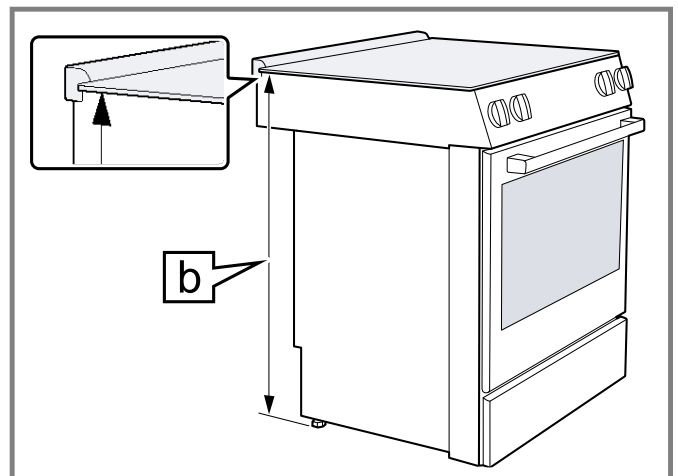
7 Installer la cuisinière dans les armoires

7.1 Réglage des pieds de nivellement

1. Alignez la cuisinière devant l'ouverture.
2. Mesurer la hauteur de [a] dans le coin arrière gauche de l'ouverture du haut du comptoir au sol.

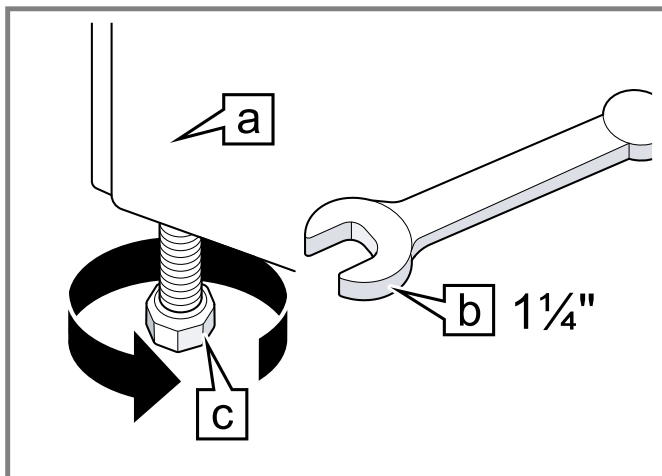


3. Mesurer la hauteur de [b] dans le coin arrière gauche de la cuisinière, du dessous de la table de cuisson au bas de la cuisinière.



4. Ajustez les pieds de nivellement jusqu'aux dimensions [a] et [b] sont identiques.
5. Répétez dans le coin arrière droit.

6. Utilisez une clé de 1 ¼ po pour régler les pieds de mise à niveau avant de sorte que la hauteur du dessous de la table de cuisson au sol corresponde à la hauteur de la surface de comptoir correspondante.



- a** Tiroir-réchaud
- b** Clé
- c** Pieds de nivellement réglables

7.2 Glisser la cuisinière dans l'ouverture

⚠ MISE EN GARDE

Le bloc est lourd et nécessite au moins deux personnes ou bien un équipement approprié pour le déplacement. Il est recommandé de porter des vêtements de protection pendant le processus de levage.

- ▶ Portez des gants et des manches longues pour protéger les mains et les avant-bras de l'abrasion et des rayures potentielles.
- ▶ Enlevez montres et bijoux.
- ▶ Portez des chaussures de travail pour protéger vos pieds.

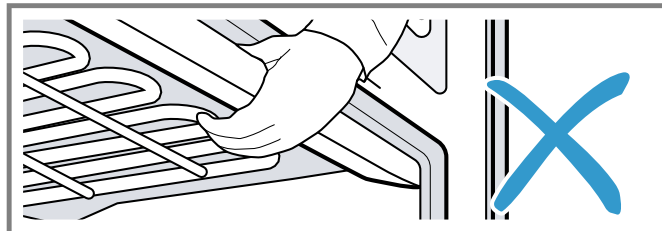
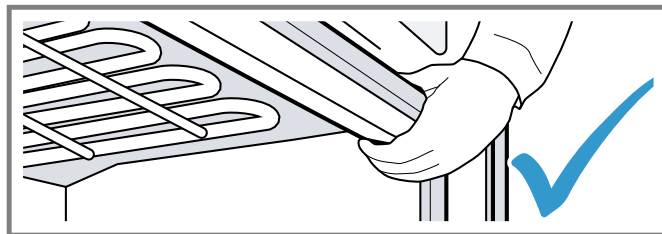
AVIS :

Pour éviter tout risque d'endommagement de la porte du four, ne soulevez, ne poussez ou ne tirez pas la cuisinière en la tenant par la poignée de la porte.

Exigence : Vous avez retiré la porte du four.

1. ⚠ **MISE EN GARDE NE PAS** essayer de soulever l'appareil en tenant l'élément chauffant supérieur du four.

Soulevez la cuisinière hors de la base de l'emballage. Accédez à l'intérieur du haut de la cavité du four pour localiser une zone striée près de l'avant du four.

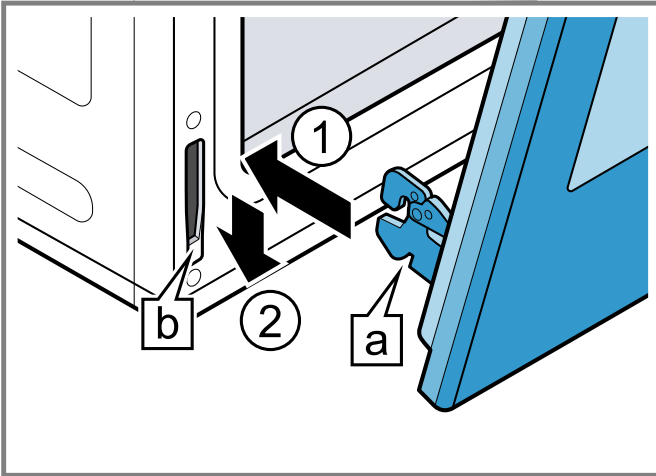


2. Assurez-vous que le disjoncteur est désactivé, puis branchez le cordon de la cuisinière dans la prise électrique.
3. Humidifiez le comptoir et le sol au bas de l'ouverture avec de l'eau savonneuse.
4. Faites glisser la cuisinière dans l'ouverture. Veillez à ne pas endommager les comptoirs, les planchers ou la façade du tiroir réchaud. N'appliquez pas de pression sur la table de cuisson lorsque vous faites glisser la cuisinière en position. Veillez à ne pas pincer le connecteur électrique flexible.
5. Installez la porte du four. → *Page 31*
6. Vérifiez l'installation correcte.
- La table de cuisson doit reposer légèrement sur le comptoir.
 - Il ne doit y avoir aucun espace entre le comptoir et la table de cuisson; cependant, le poids de la cuisinière ne doit pas reposer sur le comptoir.
 - Regardez sous la cuisinière pour vérifier que les deux pattes arrière reposent solidement sur le sol.
 - Vérifiez également que le pied gauche de la cuisinière est retenu par le support anti-basculer.

7.3 Réinstallation de la porte du four

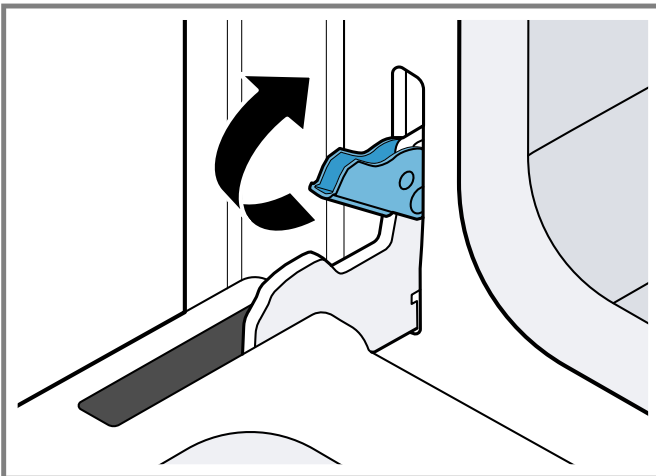
1. Maintenir fermement la porte des deux mains. Saisissez-le de chaque côté, pas par la poignée.
2. Inclinez légèrement la porte vers vous à un angle qui ouvrirait la porte d'environ 7 po (18 cm) en haut.

3. Faites glisser les charnières **a** dans les fentes **b** aussi loin que possible ① et abaissez la porte vers le bas ②.



L'angle de la porte peut nécessiter un léger ajustement pour permettre d'engager les charnières convenablement et d'abaisser la porte en place. La porte devrait s'abaisser d'environ $\frac{3}{4}$ po (2 cm) et s'arrêter. Si ce n'est pas le cas, les charnières ne se sont pas engagées correctement et la porte pourrait tomber si elle était libérée.

4. Une fois les deux charnières complètement engagées, ouvrez doucement la porte jusqu'à ce qu'elle soit complètement ouverte.
5. Poussez les loquets à levier sur les deux charnières vers le haut et l'avant, jusqu'à ce qu'ils s'enclenchent dans logements, affleurant à l'avant du four.



6. Fermer et ouvrir la porte lentement pour s'assurer qu'elle est correctement et solidement installée.

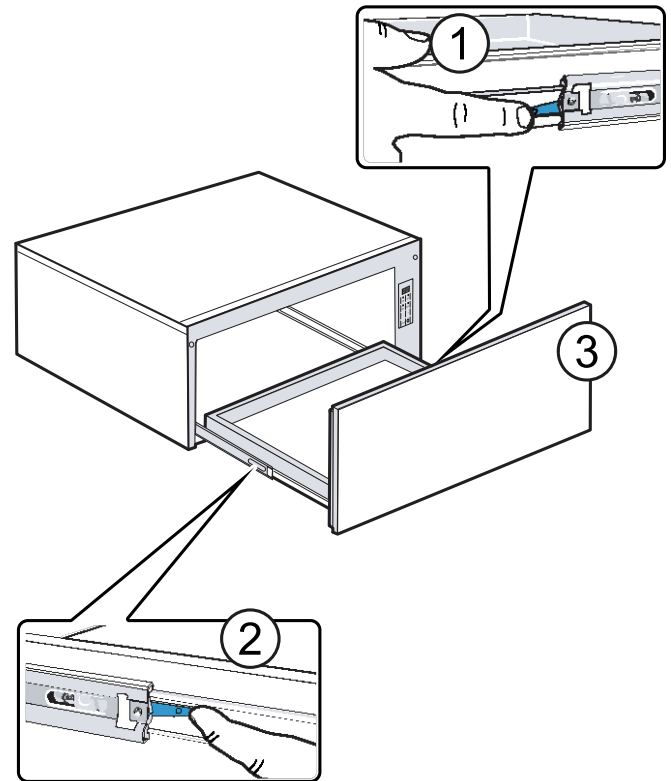
7.4 Retrait du tiroir chauffe-plat du boîtier du tiroir

⚠ AVERTISSEMENT

Pour éviter les brûlures, ne pas retirer le tiroir quand il est chaud.

- S'assurer que le tiroir est vide avant de le retirer.

1. Tirez le tiroir-réchaud en position complètement ouverte.



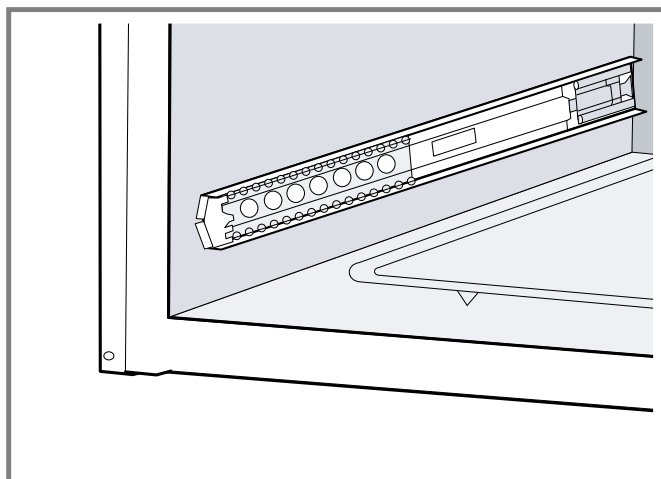
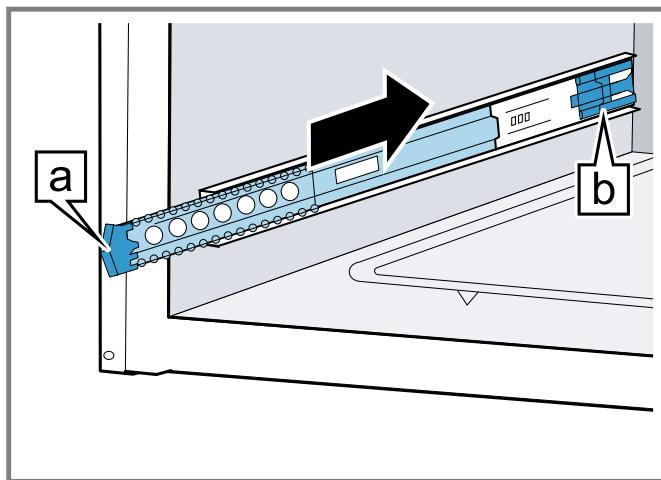
2. Appuyez sur le levier de dégagement du tiroir droit ①.
3. Soulevez le levier de dégagement du tiroir gauche ②.
4. Tirez droit et fermement sur le tiroir ③.
5. Rentrer les glissières de l'armoire une fois le tiroir retiré.
6. Saisissez les deux côtés du tiroir et retirez soigneusement le boîtier du tiroir, en tirant droit et de niveau.

Cette étape pourrait nécessiter une force légère à modérée pour retirer complètement le tiroir.

7.5 Réinstallation du tiroir chauffant dans le boîtier du tiroir

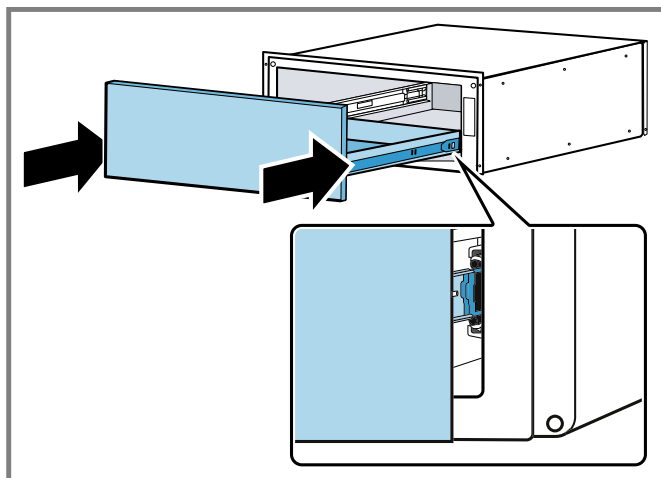
Exigence : Les glissières fixées sur chaque côté du compartiment possèdent deux pièces mobiles : un rail intérieur et un porteur à roulement à billes qui doivent être placés de façon appropriée pour une installation et un alignement adéquats. Un mécanisme de verrouillage visible se trouve également à l'arrière de chaque glissière.

1. Faites glisser le rail intérieur en position verrouillée en le poussant vers l'arrière du boîtier jusqu'à ce qu'il se verrouille en place.

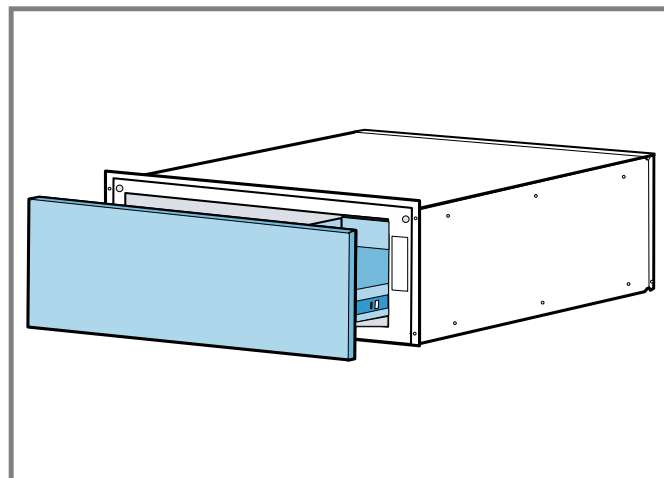


Remarque : Une force modérée poussant sur le mécanisme de verrouillage du porte-bille en plastique noir est nécessaire pour activer le verrou. Lorsque le tiroir est installé, le mécanisme de verrouillage empêche le tiroir de revenir en position ouverte.

2. Placez le tiroir chauffe-plat devant le boîtier du tiroir. Alignez le rail avec la pointe en plastique du rail sur la glissière du porte-billes.



3. Maintenez l'assemblage du tiroir de niveau et d'équerre au boîtier et insérez doucement le tiroir dans le boîtier, jusqu'à ce qu'une légère augmentation de la résistance se fasse sentir à la position approximative indiquée ci-dessous.



Remarques

- Pour assurer un alignement adéquat des roulements à billes, une légère secousse de gauche à droite du tiroir pourrait être nécessaire.
 - Si une force supérieure à une force modérée est requise pour insérer le tiroir, retirez le tiroir et répétez la procédure d'installation.
4. Poussez le tiroir à fond. Vous devriez entendre un déclic lorsque le tiroir est fermé de façon appropriée, ce qui signifiera que le tiroir est également verrouillé en position fermée.

8 Opération d'essai

Vérifiez si votre appareil fonctionne correctement après avoir terminé les étapes d'installation.

1. Mettez sous tension au disjoncteur.
2. Pour tester le four, sélectionnez le mode **Bake**. Reportez-vous au manuel d'utilisation pour obtenir des instructions d'utilisation détaillées.
3. Vérifiez que l'éclairage du four s'allume et que le four se met à préchauffer.

9 Service à la clientèle

Lors de toute réparation réalisée dans le cadre de la garantie, nous nous assurons que votre appareil est réparé avec des pièces de rechange d'origine par un technicien dûment formé et agréé. Nous utilisons exclusivement des pièces de rechange d'origine lors des réparations.

Pour plus d'informations sur la durée et les conditions de la garantie dans votre pays, consultez nos modalités de garantie auprès de votre détaillant ou sur notre site Web. Si vous contactez le service à la clientèle, indiquez le numéro de modèle (E-Nr.) et le numéro de fabrication (FD) de l'appareil.

USA:

1-800-735-4328

www.thermador.com/support

www.thermador.com/us/accessories

CA:

1-800-735-4328

www.thermador.ca

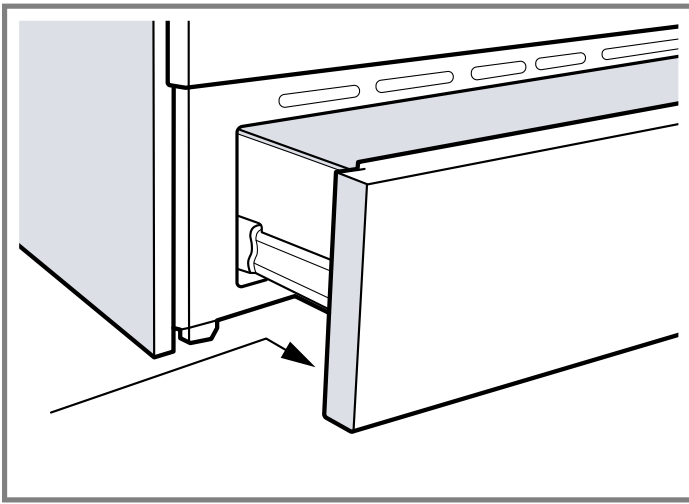
www.thermador.ca/fr/soutien/filtres-nettoyants-accessoires

9.1 Numéro de modèle (E-Nr.) et numéro de fabrication (FD)

Le numéro de modèle (E-Nr.) et le numéro de fabrication (FD) sont indiqués sur la plaque signalétique de l'appareil. Pour retrouver rapidement les données de votre appareil et le numéro de téléphone du service à la clientèle, n'hésitez pas à les recopier ailleurs.

9.2 Emplacement de la plaque signalétique

Vous trouverez la plaque signalétique de votre appareil :



a Plaque signalétique

Tabla de contenidos

1 INSTRUCCIONES DE SEGURIDAD	
IMPORTANTES.....	36
1.1 Definiciones de seguridad	36
1.2 Información general	36
1.3 Instrucciones generales de seguridad.....	36
1.4 Seguridad de manejo del aparato	37
1.5 Lugar de instalación	38
1.6 Códigos y normas de seguridad.....	38
1.7 Seguridad eléctrica	38
1.8 REQUISITOS DE ESPACIO LIBRE	39
1.9 Advertencias en virtud de la Proposición 65 del estado de California	39
1.10 Transporte	39
2 Antes de empezar	40
2.1 Partes incluidas.....	40
2.2 Herramientas y partes necesarias.....	40
2.3 Requisitos de potencia y de conexión a tierra	40
3 Retirar el embalaje.....	40
4 Requisitos de instalación.....	40
4.1 Medidas del aparato.....	40
4.2 Requisitos de ubicación	41
5 Antes de la instalación	42
5.1 Instalar la placa de fijación antivuelco	42
5.2 Retirar la puerta del horno.....	42
6 Conexión eléctrica	44
6.1 Requisitos eléctricos	44
6.2 Enrutado del cable eléctrico	44
6.3 Preparación para la conexión a la alimentación	45
6.4 Instalación de una conexión de cuatro cables	45
6.5 Instalación de una conexión de tres cables.....	46
6.6 Conexión de una conexión eléctrica flexible.....	47
7 Instalación del electrodoméstico en los gabinetes.....	48
7.1 Ajustar las patas de nivelación.....	48
7.2 Deslizar el electrodoméstico hacia la apertura	48
7.3 Reinstalación de la puerta del horno	49
7.4 Retirada del cajón calentaplatos de la carcasa del cajón	49
7.5 Reinstalación del cajón calentaplatos en la carcasa del cajón.....	50
8 Comprobación del funcionamiento	51
9 Servicio de atención al cliente.....	51
9.1 Número de modelo (E-Nr.) y número de fabricación (FD)	51
9.2 Ubicación de la placa de características del aparato.....	51



INSTRUCCIONES DE SEGURIDAD IMPORTANTES

LEA Y CONSERVE ESTAS INSTRUCCIONES

Leer atentamente todas las instrucciones antes de proceder con el uso del aparato. Para reducir el riesgo de incendio, descarga eléctrica y lesiones personales al utilizar el aparato, se deben tomar precauciones de seguridad básicas, incluidas las que se detallan en las siguientes instrucciones de seguridad.

⚠ ADVERTENCIA:

No operar nunca la zona de cocción de la superficie de este electrodoméstico sin supervisión.

- Si no se observa esta advertencia, se podría producir una explosión o un riesgo de quemaduras que podría dar lugar a daños materiales, personales o incluso la muerte.
- Si ocurriera un incendio, mantenerse alejado del aparato y ponerse en contacto de inmediato con los bomberos.

NO INTENTAR EXTINGUIR CON AGUA

UN INCENDIO CAUSADO POR ACEITE/GRASA

1.1 Definiciones de seguridad

Aquí puede encontrar explicaciones de las palabras de señal de seguridad utilizadas en este manual.

⚠ ADVERTENCIA

Esto indica que pueden producirse la muerte o heridas graves si no se cumple con esta advertencia.

⚠ PRECAUCIÓN

Esto indica que pueden producirse heridas leves o moderadas si no se cumple con esta advertencia.

AVISO:

Esto indica que pueden producirse daños en el aparato o en los bienes si no se cumple con este aviso.

Nota: Esto alerta sobre información o sugerencias importantes.

1.2 Información general

Esta sección ofrece información general sobre el presente manual.

- Leer detenidamente el presente manual.
- Tener en cuenta los avisos y las instrucciones de seguridad.
- Conservar el manual y la información del producto en un lugar seguro para futuras referencias o para el siguiente propietario.

- Comprobar posibles daños en el aparato una vez desempaquetado. No conectar el aparato si este ha sufrido algún daño durante el transporte.

Todos los manuales de producto pueden descargarse en línea en www.thermador.com/us/support/owner-manuals.

1.3 Instrucciones generales de seguridad

IMPORTANTE: EL MONTAJE DEL ELECTRODOMÉSTICO DEBE REALIZARLO UN INSTALADOR CALIFICADO.

IMPORTANTE: CONSERVAR ESTAS INSTRUCCIONES PARA QUE PUEDA USARLAS EL INSPECTOR DE ELECTRICIDAD LOCAL.

PROPIETARIO: CONSERVAR ESTAS INSTRUCCIONES PARA FUTURAS REFERENCIAS.

Examinar el aparato después de desembalarlo. En el caso de que se hayan producido daños en el transporte, no enchufarlo.

ADVERTENCIA

Si no se sigue con exactitud la información de este manual, se puede producir un incendio o una descarga eléctrica que podrían causar daños materiales o lesiones personales.



INSTRUCCIONES DE SEGURIDAD IMPORTANTES

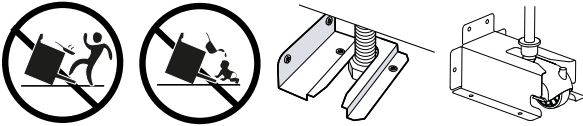
LEA Y CONSERVE ESTAS INSTRUCCIONES

No reparar, reemplazar ni retirar ninguna parte del aparato a menos que se recomiende específicamente en los manuales. La instalación, el servicio técnico o el mantenimiento incorrectos pueden causar lesiones o daños materiales.

- ▶ Consultar este manual como guía.
- ▶ Cualquier otra labor de mantenimiento debe de ser efectuada por un proveedor de servicios de mantenimiento autorizado.

ADVERTENCIA

RIESGO DE VUELCO DE LAS ESTUFAS



- ▶ Una estufa puede volcar y causar lesiones. Para evitar que la estufa vuelque por accidente, fijarla al suelo, a la pared o al mueble instalando la placa de fijación antivuelco que se incluye.
- ▶ Si la estufa vuelca sobre un niño o un adulto, puede causarle lesiones graves o incluso la muerte. Comprobar que la placa de fijación antivuelco esté firmemente instalada. Asegurarse de que la placa de fijación antivuelco esté conectada al mover la estufa.
- ▶ **NO** manejar la estufa sin la placa de fijación antivuelco colocada. Si no se siguen las instrucciones de este manual, pueden producirse muertes o graves quemaduras en niños y adultos.
- ▶ Si se aparta la estufa para su limpieza, su mantenimiento o por cualquier otro motivo, es preciso asegurarse de volver a colocar correctamente la placa de fijación antivuelco al volver a colocarla. Si no se sigue esta recomendación, la estufa podría volcar si se realiza un uso indebido de la misma (p. ej., una persona se sube o se sienta en ella o se apoya en la puerta abierta). Tanto la propia estufa como los líquidos calientes que se derramen podrían causar lesiones.
- ▶ Comprobar que la instalación sea la adecuada y que se use la placa de fijación antivuelco. Inclinar con cuidado la estufa tirando de ella hacia delante desde la parte de atrás para garantizar que la placa de fijación antivuelco sujete las patas del aparato, con lo que se evitará que vuelque. La estufa no debe moverse más de 1" (2.5 cm).

ADVERTENCIA

NO instalar este aparato en zonas exteriores.

ADVERTENCIA

No modificar ni alterar la construcción del aparato.

- ▶ Por ejemplo, no retirar las patas de nivelación, los paneles, las cubiertas para cables ni los tornillos o soportes antivuelco.

El aparato solamente deberá usarse si lo ha instalado un técnico calificado, de acuerdo con estas instrucciones de instalación. El fabricante no es responsable de ningún daño causado por una instalación incorrecta.

Para eliminar el riesgo de sufrir quemaduras o que se produzca un incendio al alcanzar las unidades cuya superficie esté caliente, se deberá evitar colocar gabinetes de almacenamiento encima de las unidades de la superficie.

- ▶ Si va a haber gabinetes de almacenamiento, el riesgo puede reducirse colocando una campana que se proyecte horizontalmente como mínimo 5" (127 mm) más allá de la base del gabinete.
- ▶ Verificar que los gabinetes que se encuentren encima de la placa de cocción tengan, como máximo, 13" (330 mm) de profundidad.

ADVERTENCIA

Retirar toda la cinta y el embalaje antes de usar el aparato.

- ▶ Desechar el embalaje de manera respetuosa con el medio ambiente.
- ▶ No dejar nunca que los niños jueguen con el material de embalaje.
- ▶ Almacenar las partes pequeñas con seguridad, ya que estas pueden ser tragadas fácilmente.

1.4 Seguridad de manejo del aparato

ADVERTENCIA



La unidad pesa mucho y se requieren al menos dos personas o un equipo adecuado para trasladarla.

- ▶ No levantar el aparato agarrándolo del asa de la puerta.
- ▶ Para un manejo y una instalación más cómodos, extraer la puerta. Véanse las instrucciones a tal efecto en el presente manual.



INSTRUCCIONES DE SEGURIDAD IMPORTANTES

LEA Y CONSERVE ESTAS INSTRUCCIONES

ADVERTENCIA



Las superficies ocultas pueden tener bordes afilados.

- ▶ Proceder con cuidado al intentar sujetar el aparato por la parte trasera o desde abajo.
- ▶ Usar guantes para evitar cortes en los dedos por los bordes afilados durante la instalación.

1.5 Lugar de instalación

Para eliminar el riesgo de sufrir quemaduras o que se produzca un incendio al alcanzar las unidades cuya superficie esté caliente, se deberá evitar colocar gabinetes de almacenamiento encima de las unidades de la superficie. Si va a haber gabinetes de almacenamiento, el riesgo puede reducirse colocando una campana que se proyecte horizontalmente como mínimo 12.7 cm (5") más allá de la base del gabinete.

Verificar que los gabinetes que se encuentren encima del electrodoméstico tengan, como máximo, 330 mm (13") de profundidad.

1.6 Códigos y normas de seguridad

Este aparato cumple con la última versión de una o varias de las siguientes normas:

- CAN/CSA-C22.2 n.º 61: electrodomésticos de cocción
- CAN/CSA-C22.2 n.º 64: electrodomésticos de cocción y de calentamiento de líquidos
- UL 1026: electrodomésticos eléctricos de cocción y para servir comida
- UL 858: estufas eléctricas de uso doméstico

Es responsabilidad del propietario y del instalador determinar si son aplicables otros requisitos y/o normas en instalaciones específicas.

1.7 Seguridad eléctrica

- **Instalador:** es preciso mostrar al propietario la ubicación del breaker del circuito o del fusible. Marcarla para recordarla más fácilmente.
- Si el Código Nacional Eléctrico (o el Código Eléctrico Canadiense) así lo exige, este aparato debe instalarse con un circuito derivado dedicado por separado.

- Las normativas locales varían. El instalador es responsable de asegurarse de que la instalación, las conexiones y la toma de tierra cumplan con todas las normativas aplicables. El fabricante no es responsable de la instalación incorrecta o de la omisión de seguir los códigos y regulaciones locales aplicables.
- Asegurarse de que el aparato está instalado y conectado a tierra debidamente por un técnico calificado de acuerdo con la última edición del NFPA 70 o CSA C22.1 y los requisitos del código eléctrico local.
- Utilizar únicamente kits de cables de alimentación eléctrica aptos para este aparato y marcado «For use with ranges» (para uso con electrodomésticos) en la etiqueta.
- Para obtener más información, consultar la placa de características.
→ "Ubicación de la placa de características del aparato", Página 51

ADVERTENCIA

Antes de realizar la instalación, desconectar la alimentación eléctrica en el panel de servicio.

- ▶ Bloquear el panel de servicio para impedir que se conecte accidentalmente la alimentación eléctrica.

ADVERTENCIA



PELIGRO DE DESCARGA ELÉCTRICA

- ▶ Desconectar la alimentación eléctrica antes de proceder a la instalación o al mantenimiento. Antes de encender la alimentación, es preciso asegurarse de que todos los controles estén en la posición OFF (apagado).
 - ▶ NO quitar las conexiones.
 - ▶ NO usar un cable de extensión.
 - ▶ Una puesta a tierra incorrecta puede causar una descarga eléctrica.
 - ▶ No seguir estas instrucciones puede producir la muerte, provocar un incendio o una descarga eléctrica.
- #### INSTRUCCIONES PARA LA CONEXIÓN A TIERRA
- ▶ Este aparato debe estar conectado a tierra.
 - ▶ La conexión a tierra reduce el riesgo de descargas eléctricas, ya que proporciona una vía de escape de la corriente eléctrica en caso de cortocircuito.
 - ▶ Asegurarse de que el aparato esté correctamente instalado y conectado a tierra por un técnico calificado.



INSTRUCCIONES DE SEGURIDAD IMPORTANTES

LEA Y CONSERVE ESTAS INSTRUCCIONES

- ▶ La instalación, las conexiones eléctricas y la conexión a tierra deben cumplir con todas las normas aplicables. No usar un cable de extensión. Si el cable de suministro de alimentación es demasiado corto, se deberá solicitar a un electricista calificado que instale una toma de corriente cerca del aparato.
- Antes de conectar o encender la fuente de alimentación eléctrica, asegurarse de que todos los controles se encuentren en la posición OFF (Apagado).

1.8 REQUISITOS DE ESPACIO LIBRE

Para evitar manchas en la pared posterior, se recomienda el uso de materiales de construcción no porosos y de alta temperatura, adecuados para un ambiente de cocina.

IMPORTANTE: Existe la posibilidad de que la pared trasera se decolore bajo ciertas condiciones de cocción. Todos los modelos enumerados son adecuados para un espacio libre trasero de 0" con respecto a superficies combustibles.

Las separaciones deben ser aprobadas por las normas locales o por la autoridad local competente.

Los espacios libres con respecto a materiales no combustibles no son parte del alcance ANSI Z21.1 y no están certificados por CSA.

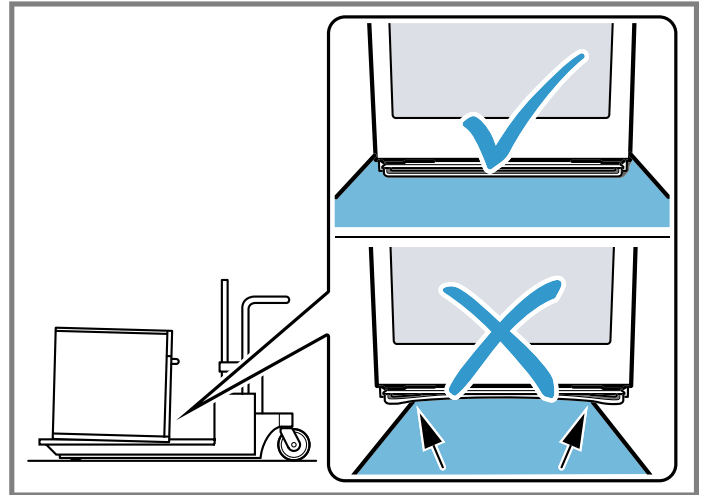
1.9 Advertencias en virtud de la Proposición 65 del estado de California

Este producto puede contener un químico que el Estado de California reconoce como potencialmente cancerígeno o causante de daños reproductivos. Por tanto, su producto debe llevar en su embalaje la siguiente etiqueta de conformidad con la legislación de California:

ADVERTENCIA EN VIRTUD DE LA PROPOSICIÓN 65 DEL ESTADO DE CALIFORNIA:

⚠ ADVERTENCIA

Cáncer y daño reproductivo - www.P65Warnings.ca.gov



1.10 Transporte

Tomar las siguientes precauciones al transportar el aparato.

AVISO:

Para evitar dañar el aparato, emplear el método de transporte que se muestra en la imagen siguiente.

2 Antes de empezar

Leer estas instrucciones antes de comenzar la instalación del aparato.

Este manual de instalación abarca varios modelos. Todos los gráficos son representativos. La apariencia y las funciones del aparato pueden variar.

2.1 Partes incluidas

Después de desembalar el aparato, verifique que todas las piezas no presenten daños ocasionados durante el transporte, así como que el volumen de suministro esté completo.

- Placa de fijación antivuelco
- 2 tornillos para madera
- 2 tornillos para concreto sin taquetes o anclaje
- Cinta de espuma; si no está ya instalada alrededor de los bordes de la parte inferior de la placa de cocción
- Conectores para terminales para uso en instalaciones conectadas directamente a la red (no obligatorios para instalaciones en Canadá)

2.2 Herramientas y partes necesarias

Preparar los siguientes accesorios y herramientas antes de comenzar la instalación del aparato.

Herramientas

- Lápiz
- Cinta métrica
- Nivel
- Cuchillo
- Desarmador Phillips
- Desarmador de punta plana
- Llave inglesa de 1 1/4"
- Llave de tubo
- Taladro y broca de albañilería de 3/16" para tornillos para concreto
- Guantes de seguridad
- Gafas de seguridad
- Una tela o cartón para proteger el suelo

Componentes

- Kit de cable de alimentación eléctrica de 40 o 50 A con protección para cables; en función de los códigos locales; no es necesario para instalaciones en Canadá, el cable viene preinstalado de fábrica.

Piezas adicionales requeridas para instalaciones conectadas directamente a la red

- Conducto flexible
- Llave de torque

2.3 Requisitos de potencia y de conexión a tierra

El contacto para el enchufe debe incorporar una conexión a tierra adecuada de conformidad con todas las normas aplicables.

3 Retirar el embalaje

1. Cortar los flejes de la caja.
2. Abrir la parte superior del embalaje de cartón y retirar el marco de madera de la parte superior.
3. Colocar la unidad delante del gabinete en el que se vaya a instalar. La unidad debe estar alineada con el hueco del gabinete.

La unidad debe permanecer en la base de embalaje hasta que esté preparada para colocarse en el hueco del gabinete.

4. Retirar la caja de cartón; para ello, levantarla y extraerla de la unidad.

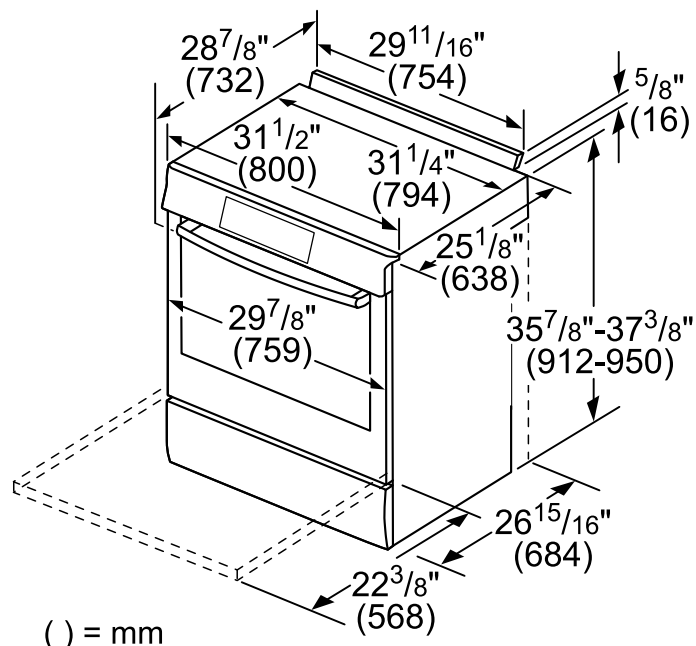
Alternativamente, es posible cortar con cuidado por la línea de corte del lateral trasero de la caja de cartón con una cuchilla de longitud inferior a 20 mm (3/4").

5. Retirar todos los embalajes de protección internos, rejillas, accesorios y manuales de instrucciones del interior de la cavidad del horno.

4 Requisitos de instalación

Leer las presentes instrucciones para preparar el espacio de instalación del aparato.

4.1 Medidas del aparato



4.2 Requisitos de ubicación

⚠ ADVERTENCIA

Para eliminar el riesgo de sufrir quemaduras o que se produzca un incendio al alcanzar las unidades cuya superficie esté caliente, se deberá evitar colocar gabinetes de almacenamiento encima de las unidades de la superficie.

- ▶ Si va a haber gabinetes de almacenamiento, el riesgo puede reducirse colocando una campana que se proyecte horizontalmente como mínimo 12.7 cm (5") más allá de la base del gabinete.
- Los gabinetes, cubiertas, paredes y pisos en el lugar de instalación deben estar nivelados. La variación puede dañar las cubiertas y los pisos durante la instalación y puede afectar negativamente el rendimiento de cocción y horneado.
- Algunos acabados de gabinetes no pueden soportar las temperaturas permitidas por las normas de seguridad, en particular los hornos con autolimpieza; los gabinetes se pueden decolorar o manchar. Esto se nota más en los gabinetes laminados.
- Se requiere una toma de corriente eléctrica enrasada de 208/240 V de CA dedicada a ello.
- Selle los agujeros que haya en las paredes o el piso. Quite cualquier obstrucción (conexiones eléctricas o de gas adicionales, etc.) para que la estufa esté correctamente apoyada en la pared.

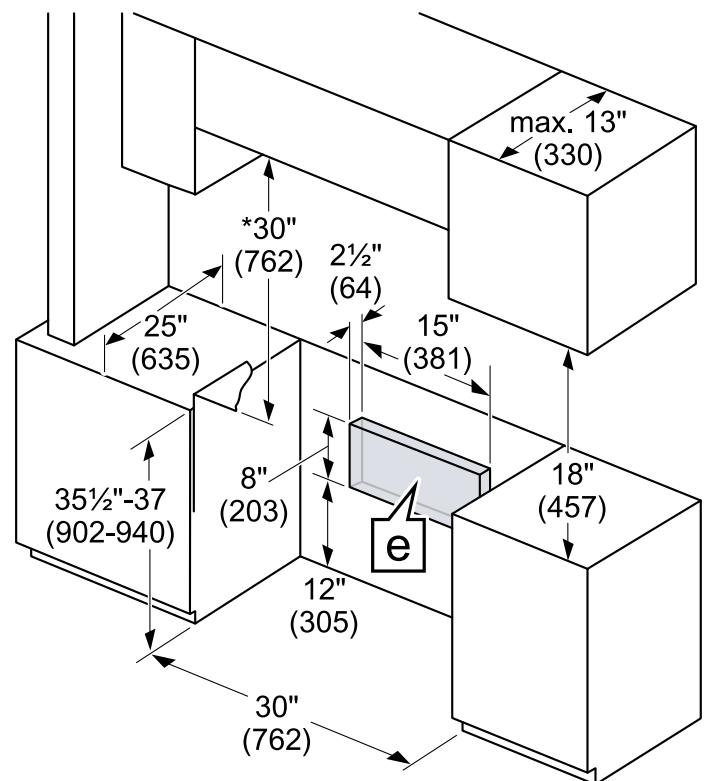
Recomendaciones

- Para facilitar la instalación, quite la puerta del horno y el cajón calentador (consulte «Retirar la puerta del horno» y «Retirar el cajón calentaplatos»). Si no se retira el cajón calentaplatos, se debe colocar cinta adhesiva con firmeza en el cajón calentaplatos antes de la instalación para evitar que se abra mientras se instala el electrodoméstico.
- Colocar un trozo de cartón o tela debajo del electrodoméstico durante la instalación para proteger el suelo.

Espacios libres requeridos

- Thermador recomienda los espacios mínimos que se indican en este manual. Las separaciones de materiales no combustibles no están certificadas por ETL. Las separaciones diferentes a las indicadas en este manual deben ser aprobadas por los códigos locales y/o por la autoridad local competente.
- Estas instrucciones fueron determinadas usando gabinetes estándar de EE. UU. Los gabinetes estándar básicos tienen una altura de 91,4 cm (36") y una profundidad de 63,5 cm (25"). Si no se utilizan gabinetes estándares, deberá tomarse la precaución de modificar las dimensiones de forma acorde.
- Dejar un espacio mínimo de 76,2 cm (30") entre los gabinetes donde se vaya a instalar el aparato. No se requiere ningún espacio libre en pared lateral.

- Debe haber un espacio mínimo de separación de 762 mm (30") entre la parte superior de la superficie de cocción y una superficie combustible suspendida por encima. Si se instala una ventilación suspendida o un microondas por encima, consulte las distancias especificadas en esos productos.
- Esta unidad está diseñada para ser instalada cerca de paredes adyacentes y superficies en voladizo construidas con materiales combustibles. No se requiere ninguna separación entre las paredes de la unidad y las paredes verticales adyacentes de materiales combustibles en la parte trasera o en los laterales (a derecha e izquierda).
- Los gabinetes sobre la superficie de cocción y los gabinetes adyacentes a los que están sobre la superficie de cocción miden 33 cm (13") de profundidad desde la pared trasera.
- La altura del aparato se fija {mediante el ajuste de sus patas (véase «Ajuste de las patas»)}.



Los materiales ignífugos llevan la marca:

UNDERWRITERS LABORATORIES INC. CLASSIFIED MINERAL AND FIBER BOARDS SURFACE BURNING CHARACTERISTICS (Características de combustión de superficies fibrosas y minerales clasificadas de UNDERWRITERS LABORATORIES INC.), seguidas de las clasificaciones de propagación de llama y generación de humo. Estas designaciones constan como «FHC (Flame Spread/Smoke Developed)» (Propagación de llama/humo generado). Los materiales con una clasificación de propagación «O» son ignífugos. Es posible que los códigos locales permitan otras clasificaciones de propagación de llama. Es responsabilidad del instalador asegurar que la instalación cumpla con estas clasificaciones.

Requisitos para la ventilación

Thermador recomienda encarecidamente instalar una campana extractora de ventilación encima de este electrodoméstico.

Para la mayoría de cocinas, se recomienda una campana con una clasificación certificada no inferior a 300 CFM. La campana del electrodoméstico debe instalarse de acuerdo con las instrucciones suministradas con ella.

5 Antes de la instalación

Llevar a cabo los siguientes pasos para preparar el aparato para su instalación.

5.1 Instalar la placa de fijación antivuelco

El electrodoméstico puede inclinarse hacia adelante, cosa que podría causar lesiones y daños, si la placa de fijación antivuelco no está bien instalada. No manejar el electrodoméstico sin la placa de fijación antivuelco colocada.

⚠ ADVERTENCIA

Un adulto o un niño puede hacer que la estufa vuelque y causar así peligro de muerte.

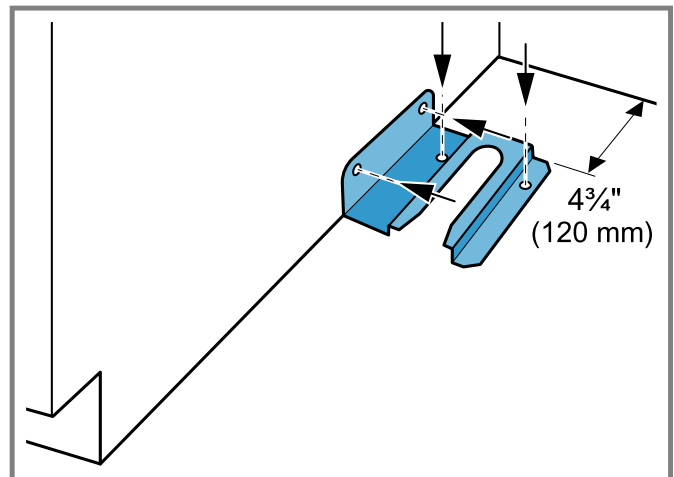
- ▶ Comprobar que la placa de fijación antivuelco esté firmemente instalada. Asegurarse de que la placa de fijación antivuelco esté conectada al mover la cocina.

⚠ ADVERTENCIA

PELIGRO DE DESCARGA ELÉCTRICA

- ▶ Extremar las precauciones a la hora de taladrar agujeros en la pared o en el piso, ya que podría haber cables eléctricos ocultos.
- ▶ Identificar los circuitos eléctricos que pudieran resultar afectados por la instalación de la placa de fijación antivuelco y, a continuación, desconectar la corriente que va a estos circuitos.
- ▶ No seguir estas instrucciones puede producir una descarga eléctrica u otras lesiones personales.

1. Colocar la placa de fijación, como se muestra, en la esquina posterior izquierda de la abertura de instalación, entre la pared trasera y la pared izquierda del gabinete.



Nota: La superficie de sujeción debe estar asegurada. Cuando se monte en la pared del gabinete, comprobar que los tornillos entren en contacto con el marco del gabinete. No utilizar un bloque o separador para rellenar el espacio entre la placa de fijación antivuelco y la pared del gabinete. No intentar anclarlo en paredes de yeso.

2. Asegurar la placa con dos tornillos al piso o a la base de la pared del gabinete. Dependiendo del piso o el material del gabinete, utilizar tornillos para madera o concreto sin anclaje (incluidos). Los tornillos para concreto requieren el uso de una broca de concreto de 3/16".

5.2 Retirar la puerta del horno

Se recomienda extraer la puerta del horno para reducir el peso del aparato y así facilitar su manejo y su instalación.

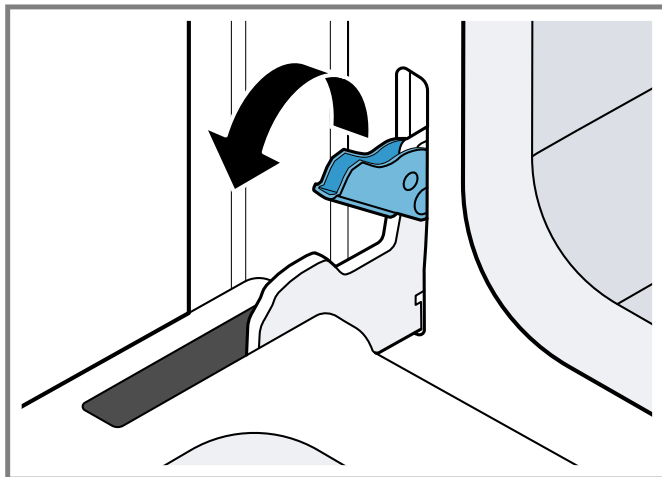
⚠ ADVERTENCIA

Si no se siguen las presentes instrucciones para retirar la puerta del horno, existe un riesgo de sufrir lesiones personales o dañar el producto.

- ▶ Asegurarse de que el horno esté frío y de que se haya desconectado el aparato de la corriente eléctrica antes de retirar la puerta. De no hacerlo, se puede producir una descarga eléctrica o quemaduras.
- ▶ La puerta del horno es pesada y algunas de sus partes son frágiles. Usar las dos manos para extraer la puerta del horno.
- ▶ La puerta frontal es de cristal. Es preciso manejarla con cuidado para evitar que se rompa.
- ▶ Agarrar solo el lateral de la puerta del horno. No se debe agarrar por el asa; podría resbalar en la mano y causar daños o lesiones. Si no se agarra la puerta del horno con firmeza y adecuadamente, podrían producirse lesiones personales o daños en el producto.

- ▶ Para evitar lesiones al cerrarse bruscamente la placa de fijación de la bisagra, asegurarse de que las dos palancas estén firmemente colocadas antes de quitar la puerta.
- ▶ No forzar la apertura ni el cierre de la puerta; se podría deteriorar la bisagra y se correría el riesgo de sufrir daños o lesiones.
- ▶ No dejar la puerta extraída sobre objetos afilados o puntiagudos, ya que se podría romper el cristal. Colocarla sobre una superficie plana y suave para que no se caiga.

1. Abrir la puerta del horno hasta que esté completamente abierta.
2. Girar las palancas de las bisagras hacia usted.

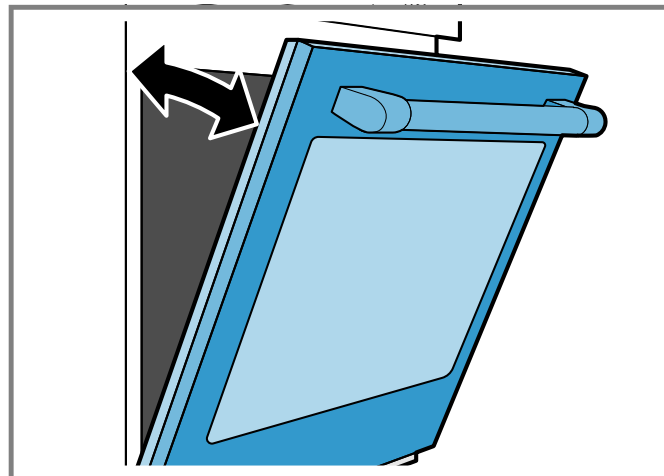


Si es necesario, utilizar una herramienta, como un desarmador, para levantar suavemente la parte superior de la palanca de la carcasa. Tener cuidado de evitar rayar la carcasa.

3. Bajar completamente las dos palancas de las bisagras de la puerta. Las bisagras izquierda y derecha de la puerta pueden variar ligeramente, pero funcionan de la misma manera.

4. **⚠ PRECAUCIÓN** Seguir las instrucciones siguientes para evitar que el pestillo se cierre de repente; si esto ocurriese, existe el riesgo de pellizcarse o sufrir cortes en la mano.

Cerrar la puerta del horno hasta que encaje en las palancas de tope de las bisagras, bloqueándolas en el ángulo adecuado para retirar la puerta.

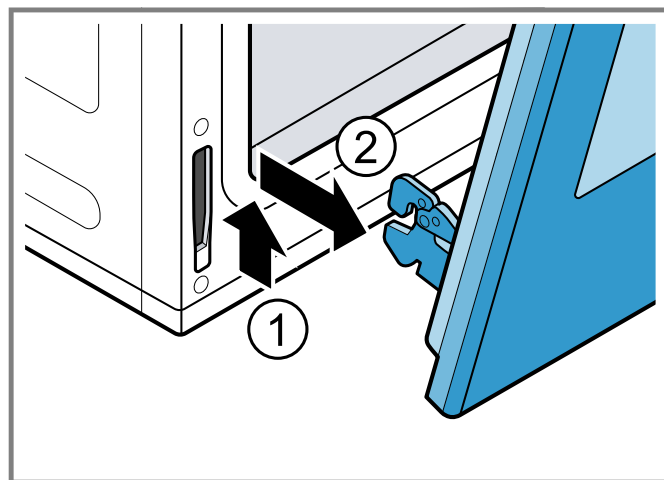


- ✓ La puerta quedará abierta unos 7" (18 cm) en la parte superior.

5. **⚠ PRECAUCIÓN** La puerta pesa mucho.

- ▶ No sujetar la puerta por el asa.
- ▶ Usar ambas manos para sujetarla con firmeza por ambos lados.

Manteniendo el ángulo de la puerta, levantar la puerta aproximadamente 3/4" (2 cm) para desenganchar las bisagras de las ranuras y luego jalarla hacia usted hasta que las bisagras se separen de la carcasa del horno.



6. Colocar la puerta en un lugar cómodo y estable. No apoyar la puerta sobre su manija. Esto podría causar abolladuras o rayones.

6 Conexión eléctrica

Leer las presentes instrucciones para conectar con seguridad el aparato al suministro eléctrico.

ADVERTENCIA

No usar un cable de extensión. Si el cable de suministro de alimentación es demasiado corto, se deberá solicitar a un electricista calificado que instale una toma de corriente cerca del aparato.

A fin de evitar descargas eléctricas, no se debe cortar ni extraer el conector de tierra del cable de la estufa bajo ninguna circunstancia.

- ▶ Debe estar conectado a un receptáculo adecuado de conexión a tierra y a un circuito de 240 V correctamente polarizado.

6.1 Requisitos eléctricos

Es preciso asegurarse de que la instalación eléctrica sea compatible con los siguientes requisitos.

El aparato debe recibir un voltaje y frecuencia adecuados, y debe estar conectado a un circuito dedicado independiente y con su correcta conexión a tierra, protegido por un breaker (interruptor automático de electricidad) o un fusible con el amperaje indicado en la placa de características. La placa de características está ubicada sobre el cajón, en el marco del horno. Consultar la placa de características para más información.

→ *Página 51*

Consultar con el prestador de servicios local para conocer los códigos de electricidad aplicables en su área. Si el electrodoméstico no es cableado de acuerdo con los códigos en vigor, podría provocar una situación peligrosa. Si no hay códigos locales, el electrodoméstico debe tener el cableado y los fusibles según indique la última edición del Código Nacional Eléctrico establecido por la norma 70 del Instituto Nacional de Normalización Estadounidense

- ▶ Si se tienen dudas acerca de si el enchufe de la pared tiene una conexión a tierra adecuada, solicitar su comprobación a un electricista calificado.
- El electrodoméstico se puede conectar con un cable eléctrico o por medio de una conexión eléctrica flexible.
- Utilizar únicamente kits de cables de 125/250 voltios de tensión nominal y 40 amperios (mínimo), y en los que se indique «For use with ranges» (para uso con electrodomésticos) en la etiqueta.
- Se recomienda que las posibles adiciones de cables de alimentación o de conexiones eléctricas al aparato sean llevadas a cabo únicamente por personas calificadas.

Nota: En Canadá, el electrodoméstico se entrega de fábrica con su cable ya instalado. Continuar instalando el electrodoméstico en los gabinetes.

(American National Standards Institute, ANSI)/Asociación Nacional de Protección contra Incendios (National Fire Protection Association, NFPA).

El electrodoméstico requiere un circuito de tres cables como mínimo, de 120/240 V o 120/208 V, 40-50 A y 60 Hz AC. Consultar los códigos locales para ver los rangos de amperaje adecuados. Es preferible una conexión de cuatro cables. La mayoría de reglamentos y códigos de construcción locales requieren que el tendido del cableado eléctrico sea realizado por electricistas certificados. Asegúrese de instalar su electrodoméstico de acuerdo a los códigos eléctricos de su región.

Capacidad nominal de kW

Los electrodomésticos cuentan con la clasificación dual para usarse en 120/240 V CA o 120/208 V CA. Comprobar la etiqueta de características para ver la capacidad de kW. Consultar la potencia en kW en la siguiente tabla para determinar los requisitos de amperaje.

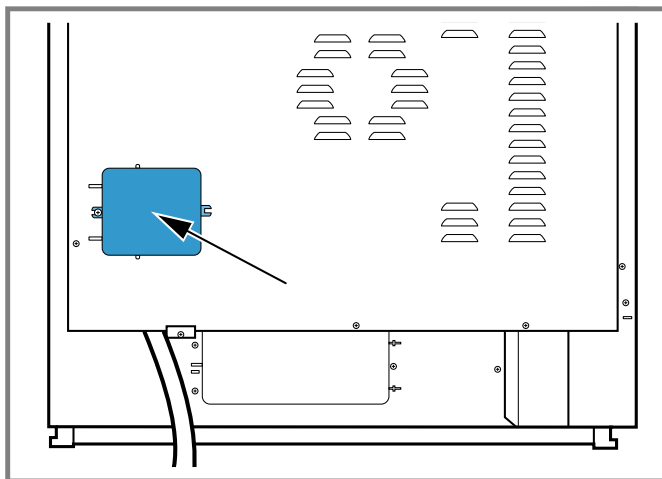
Voltios de A/C	Hz	Capacidad de kW	Breaker interruptor del circuito
120/240	60	13.0	Varía según el lugar. Comprobar las normativas locales
120/240	60	13.8	40 o 50 A
120/208	60	9.8	40 o 50 A
120/208	60	10.4	40 o 50 A

6.2 Enrutado del cable eléctrico

ADVERTENCIA

La protección para cables debe estar correctamente instalada. Las protecciones para cables varían. Leer detenidamente y seguir todas las instrucciones incluidas con la protección para cables.

1. Retirar la cubierta en la esquina inferior izquierda del panel posterior del electrodoméstico.



2. Bajo el bloque de terminales, retire el prepunzonado que se ajusta a la protección para cables que viene con el cable del electrodoméstico.
3. Introducir el cable del electrodoméstico a través del agujero y la protección para cables hacia el bloque de terminales.
4. Montar la protección para cables siguiendo las instrucciones incluidas con esta.

Nota: El panel de prepunzonado bajo el bloque de terminales puede retirarse del electrodoméstico para instalar la protección para cables. Extraer el panel del electrodoméstico, instalar el prepunzonado en el panel y volver a montarlo. NO retirar por completo el panel posterior del electrodoméstico.

6.3 Preparación para la conexión a la alimentación

⚠ ADVERTENCIA

Riesgo de incendio o descarga eléctrica. Se prohíbe realizar conexiones a tierra a través del conductor neutro en instalaciones nuevas de circuitos de derivación (1996 NEC), casas rodantes y vehículos recreativos, y también en áreas cuyas normativas locales prohíban poner a tierra a través del conductor neutro.

Cuando se prohíba la conexión a tierra a través del conductor neutro:

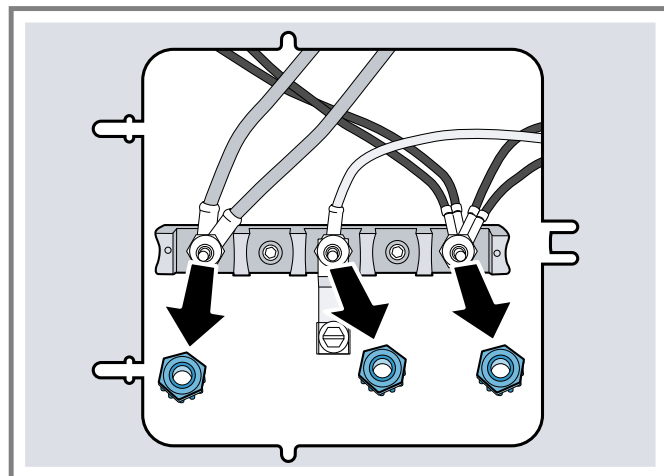
- Desconectar el enlace del conductor neutro.
- Utilice una terminal de conexión a tierra o un cable para poner la unidad a tierra.
- Conectar la terminal neutra al al cable neutro del circuito de derivación de la manera habitual. Si es preciso conectar el aparato por medio de un kit de cables, utilizar un cable de 4 conductores para este fin.

6.4 Instalación de una conexión de cuatro cables

Método recomendado.

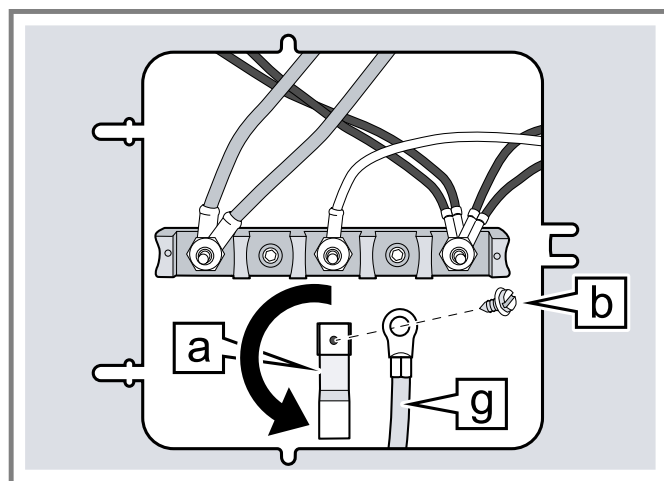
1. Desconectar la energía eléctrica en la caja de breakers (centro de carga).

2. Retirar la cubierta del bloque de terminales para dejarlo a la vista.
3. Retirar la tuerca superior (lleva unida una rondana de bloqueo) de cada poste.

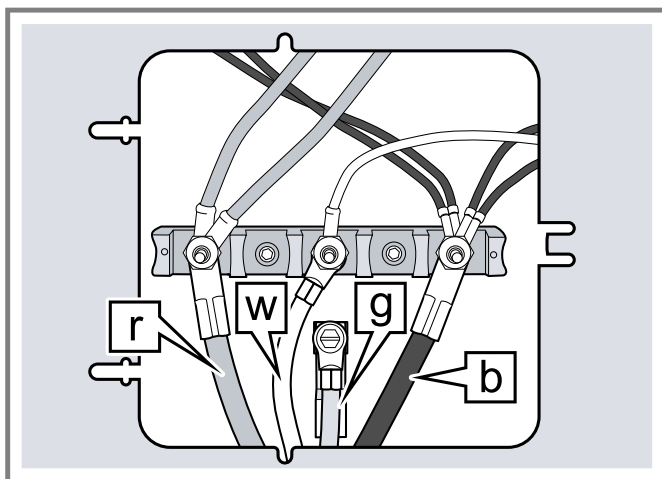


Nota: NO retirar la segunda tuerca o rondana de cada poste; estas deben permanecer en su lugar para mantener el anclaje del cableado interno unido al bloque de terminales.

4. Extraer el tornillo de conexión a tierra verde **b** del extremo inferior de la tira de conexión a tierra.
5. Extraer la tira de conexión a tierra del poste central en el bloque de terminales.
6. Hacer girar la tira de conexión a tierra **a** para que el extremo ancho quede orientado hacia arriba y alinear el agujero con el agujero de conexión a tierra que está debajo del bloque de terminales.
7. Usar el tornillo de conexión a tierra verde **b** para unir el cable verde **g** por encima de la tira de conexión a tierra.
8. Apretar el tornillo de conexión a tierra con firmeza, pero sin sobrepasarse.



9. Acoplar el cable rojo a la terminal izquierda con una de las tuercas o rondanas extraídas anteriormente.



r	Rojo
w	Blanco
g	Verde
b	Negro

10. Acoplar el cable blanco a la terminal central del bloque de terminales con una de las tuercas o rondanas.
11. Acoplar el cable negro al empalme derecho del bloque de terminales con una de las tuercas o rondanas.
12. Apretar todas las conexiones de forma segura y volver a colocar la cubierta del bloque de terminales.
13. Asegurar adecuadamente el protector de cable.
→ "Enrutado del cable eléctrico", Página 44

Nota: NO conectar todavía la estufa.

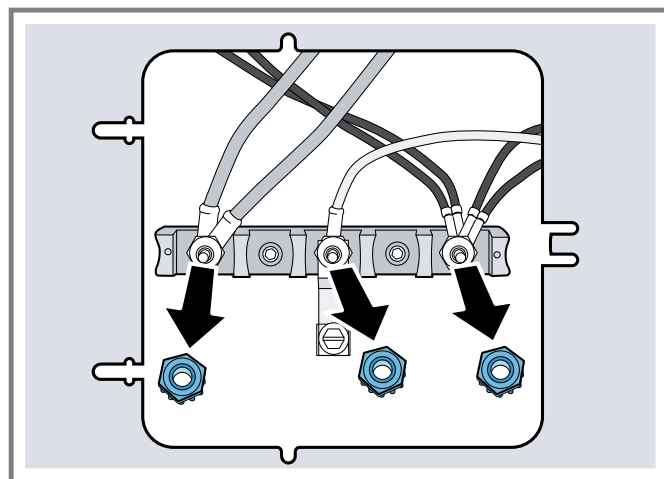
6.5 Instalación de una conexión de tres cables

Método alternativo

Nota: Es preferible una conexión de cuatro hilos (véase arriba); no obstante, en aquellos emplazamientos en los que las normativas y ordenanzas locales permitan la conexión a tierra a través de un contacto neutro y en las que la conversión a un sistema de cuatro hilos no resulte práctica, es posible conectar la unidad a la alimentación eléctrica por medio de una conexión de tres hilos.

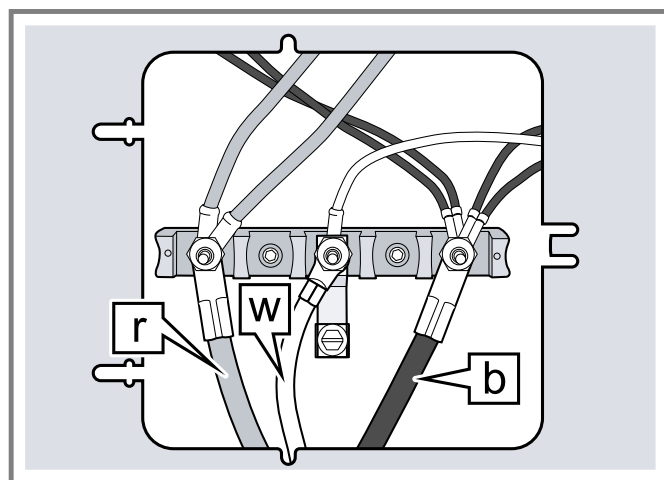
1. Interrumpir la alimentación eléctrica en la caja del breaker.
2. Retirar la cubierta del bloque de terminales para dejarlo a la vista.

3. Retirar la tuerca superior (lleva unida una rondana de bloqueo) de cada puesto.



Nota: NO retire la segunda tuerca o rondana de cada puesto. Estas deben permanecer en su lugar para mantener el anclaje del cableado interno unido al bloque de terminales.

4. Acoplar el cable blanco a la terminal central del bloque de terminales con una de las tuercas o rondanas.
5. Acoplar el cable rojo a la terminal izquierda del bloque de terminales con una de las tuercas o rondanas extraídas anteriormente.
6. Acoplar el cable negro a la terminal derecha con una de las tuercas o rondanas.



r	Rojo
w	Blanco
b	Negro

7. Apretar todas las conexiones de forma segura y volver a colocar la cubierta del bloque de terminales.
8. Asegurar adecuadamente el protector de cable.
→ "Enrutado del cable eléctrico", Página 44

Nota: NO conectar todavía al electrodoméstico.

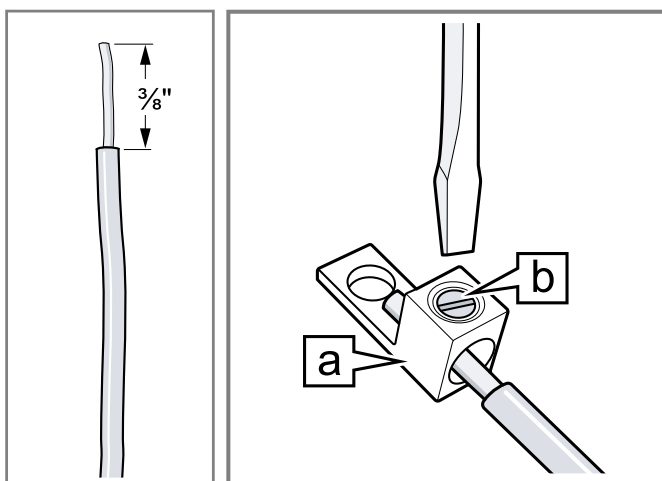
6.6 Conexión de una conexión eléctrica flexible

El electrodoméstico también puede conectarse mediante una conexión eléctrica flexible. Si utiliza este método, utilice siempre las lengüetas suministradas. En cada caso en el que se deba conectar un cable a una terminal, realice los siguientes pasos.

Nota: En Canadá, el electrodoméstico se entrega de fábrica con su cable ya instalado. Continuar instalando el electrodoméstico en los gabinetes.

Para instalaciones en lugares distintos de Canadá, conectar la conexión flexible al bloque de terminales.

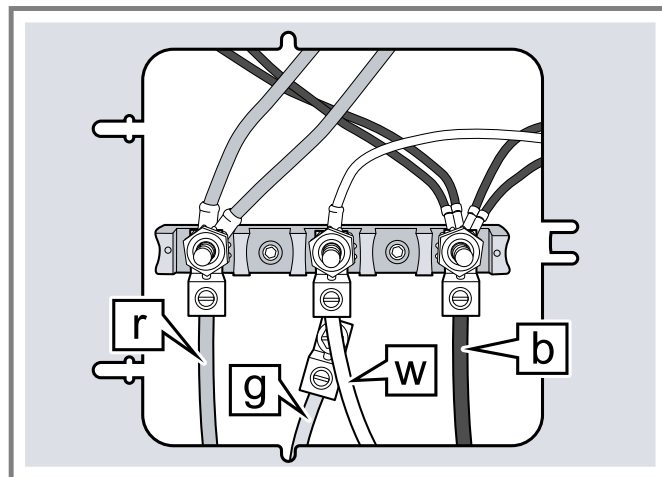
1. Quitar 9.5 mm (3/8") del forro al extremo del cable.
2. Insertar el extremo sin aislamiento del cable en la lengüeta de la terminal **a**. Luego, apretar cada tornillo de sujeción **b** con el torque adecuado. Ver la tabla.



Calibre del cable	Torque (pulgadas/lbs)	Torque (Nm)
6	35	3.95
8	25	2.82

Instalación de una conexión eléctrica flexible de cuatro cables

1. Siga las instrucciones de instalación de una conexión de cuatro cables. → *Página 45*



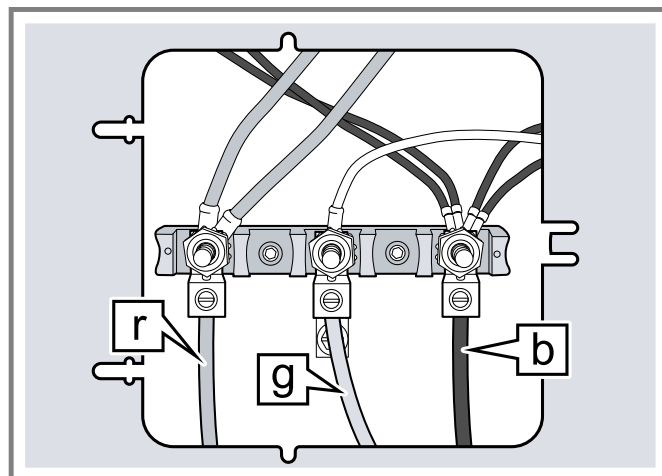
- r Rojo
- w Blanco
- g Verde
- b Negro

2. Asegure correctamente la conexión eléctrica flexible en el prepunzonado y en la caja de conexiones lateral del suministro. Ahora el cableado está completo.

Nota: NO conectar todavía la alimentación eléctrica del electrodoméstico.

Instalación de una conexión eléctrica flexible de tres cables

1. Seguir las instrucciones de instalación de una conexión de tres cables. → *Página 46*



- r Rojo
- g Verde
- b Negro

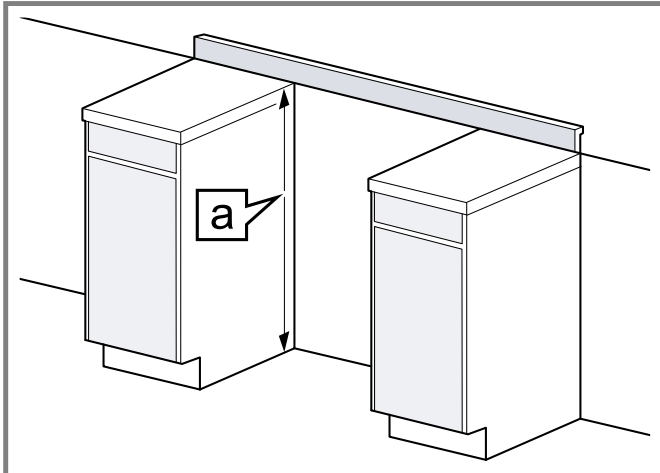
2. Asegurar correctamente la conexión eléctrica flexible en el prepunzonado y en la caja de conexiones lateral del suministro. Ahora el cableado está completo.

Nota: NO conectar todavía la alimentación eléctrica del electrodoméstico.

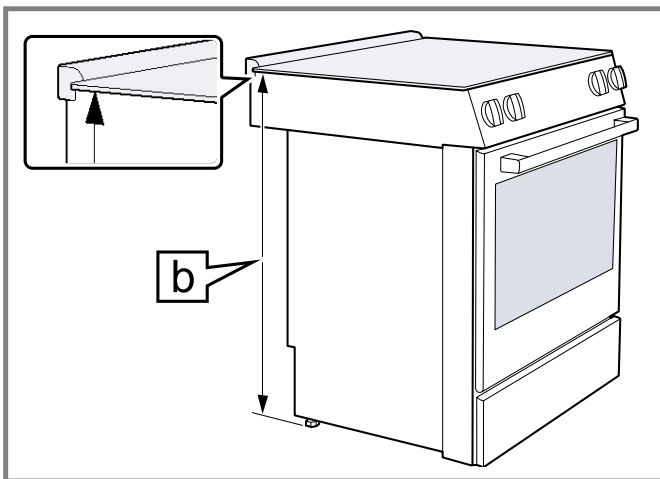
7 Instalación del electrodoméstico en los gabinetes

7.1 Ajustar las patas de nivelación

1. Alinear el electrodoméstico con la apertura.
2. Medir la altura **a** en la esquina trasera izquierda de la abertura desde la parte superior de la cubierta hasta el suelo.

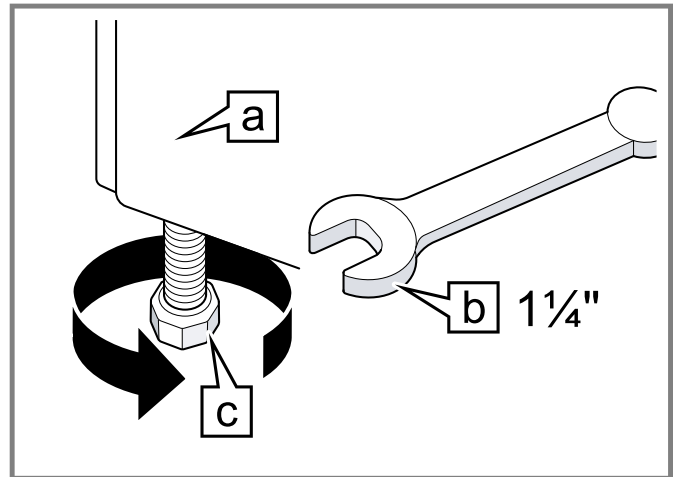


3. Medir la altura **b** en la esquina posterior izquierda de la abertura desde la parte inferior de la placa de cocción hasta la parte inferior del electrodoméstico.



4. Ajustar las patas de nivelación hasta que las dimensiones **a** y **b** sean las mismas.
5. Repetir la operación en la esquina posterior derecha.

6. Utilizar una llave de 1¼ " para ajustar las patas de nivelación delanteras de manera que la altura desde la parte inferior de la placa de cocción hasta el suelo coincida con la altura de la superficie de la cubierta correspondiente.



- | | |
|----------|----------------------------------|
| a | Cajón calentaplatos |
| b | Llave inglesa 1¼" |
| c | Patatas de nivelación ajustables |

7.2 Deslizar el electrodoméstico hacia la apertura

⚠ PRECAUCIÓN

La unidad es pesada y se requieren al menos dos personas o un equipo adecuado para trasladarla. Se recomienda llevar ropa protectora durante el proceso de elevación.

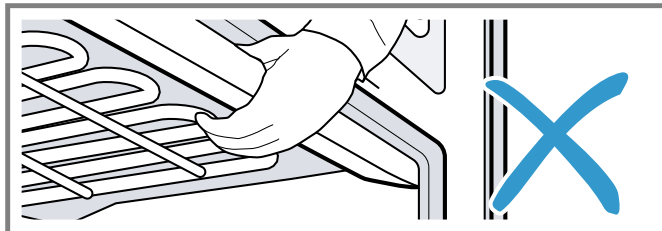
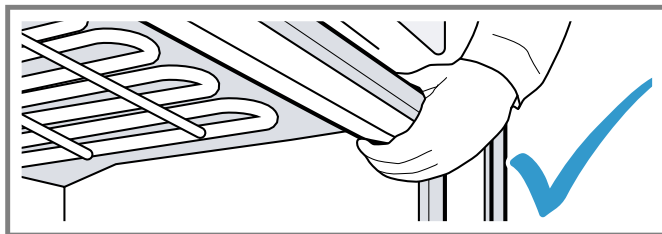
- ▶ Se recomienda llevar guantes y ropa de manga larga para proteger las manos y los antebrazos contra la abrasión y posibles arañazos.
- ▶ Es preferible no llevar relojes ni joyas.
- ▶ Se aconseja llevar zapatos de trabajo para proteger los pies.

AVISO:

Para evitar riesgo de daños en la puerta del horno del electrodoméstico, no levantar, jalar ni empujar el electrodoméstico tomándolo de la manija de la puerta.

Requisito: Debe haberse extraído la puerta del horno.

- 1. ⚠ PRECAUCIÓN** NO intentar levantar la unidad sosteniendo el elemento calefactor superior del horno. Sacar el electrodoméstico de la base de embalaje. Buscar en la parte superior de la cavidad del horno para localizar un área estriada cerca de la parte delantera del horno.

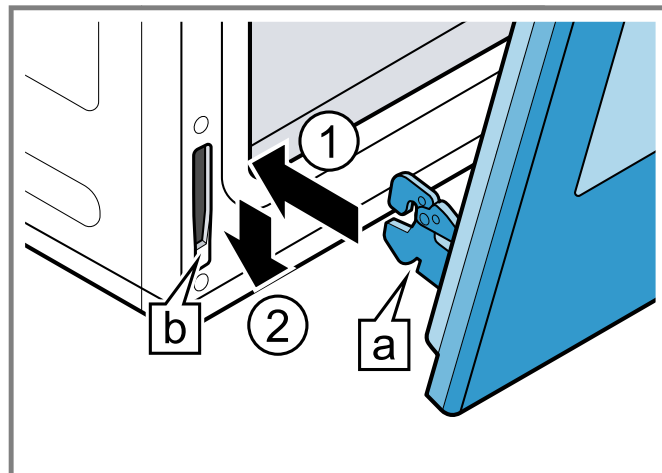


- Asegurarse de que el breaker del circuito esté apagado y luego enchufar el cable del electrodoméstico en la toma de corriente eléctrica.
- Humedecer la cubierta y el piso en la parte inferior de la abertura con agua jabonosa.
- Deslizar el electrodoméstico hacia la apertura. Tener cuidado de no dañar las cubiertas, los pisos o el frente del cajón calentaplatos. No hacer presión sobre la cubierta al deslizar el electrodoméstico hacia su lugar. Tener cuidado de no torcer el conector eléctrico flexible.
- Instalar la puerta del horno. → *Página 49*
- Comprobar que la instalación esté correcta.
 - La placa de cocción debería descansar ligeramente sobre la cubierta.
 - No debe haber ningún hueco entre la cubierta y la placa de cocción; sin embargo, el peso del electrodoméstico no debe descansar sobre la cubierta.
 - Mirar debajo del electrodoméstico para verificar que ambas patas traseras estén apoyadas sólidamente en el suelo.
 - Comprobar también que la pata izquierda del electrodoméstico esté retenida por la placa de fijación antivuelco.

7.3 Reinstalación de la puerta del horno

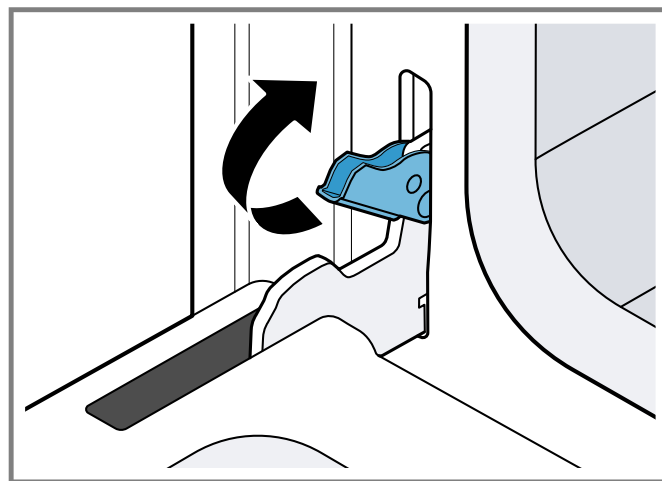
- Sujetar la puerta firmemente con ambas manos. Agarrarla por cada lado, no por el asa.
- Inclinar ligeramente la puerta hacia sí mismo en un ángulo tal que la puerta se abra unos 18 cm (7") por la parte superior.

- Deslizar las bisagras **a** en las ranuras **b** hasta el fondo **1** y después bajar la puerta hacia abajo, en dirección recta **2**.



Puede ser necesario ajustar el ángulo de la puerta ligeramente para permitir que las bisagras encajen adecuadamente y la puerta baje hasta su lugar. La puerta debe bajar aproximadamente 2 cm (3/4") y detenerse; de no ser así, las bisagras no se han enganchado correctamente y la puerta podría caerse al soltarla.

- Una vez que ambas bisagras estén totalmente encajadas, abrir con cuidado la puerta hasta que esté completamente abierta.
- Presionar las palancas de ambas bisagras hacia arriba y adelante hasta que queden bloqueadas en la ranura y alineadas con el frente del cuerpo del horno.



- Cerrar y abrir la puerta lentamente para asegurarse de que esté bien colocada y de forma segura.

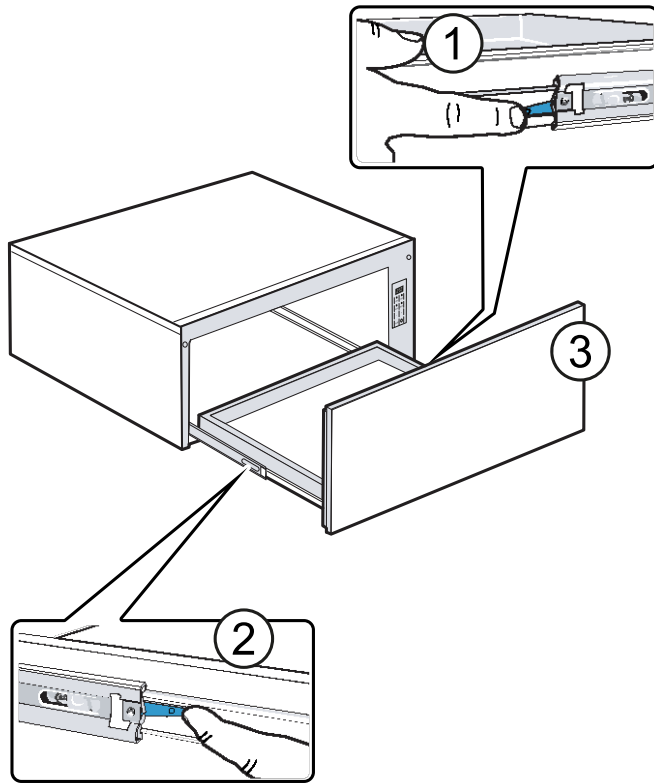
7.4 Retirada del cajón calentaplatos de la carcasa del cajón

⚠ ADVERTENCIA

Para evitar quemaduras, no retirar el cajón mientras está caliente.

- Asegurarse de que el cajón está vacío antes de retirarlo.

1. Jalar hacia fuera el cajón calentaplatos para abrirlo completamente.



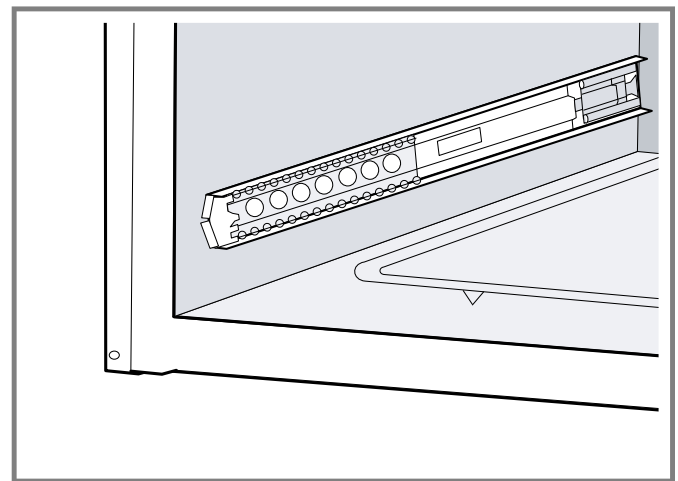
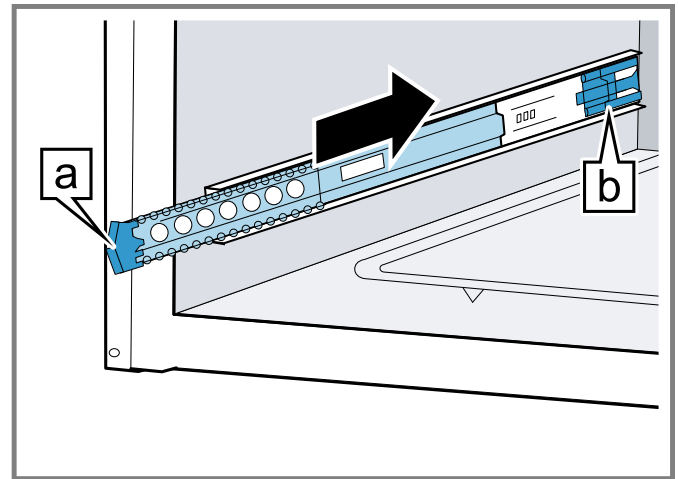
2. Empujar hacia abajo la palanca derecha de desbloqueo del cajón ①.
3. Levantar la palanca izquierda de desbloqueo del cajón ②.
4. Empujar con firmeza el cajón hacia fuera, manteniéndolo recto ③.
5. Replegar los rieles del gabinete mientras el cajón está fuera.
6. Agarrar ambos lados del cajón y retirar con cuidado la carcasa del cajón, tirando de él manteniéndolo recto y nivelado.

Este paso puede exigir aplicar una fuerza ligera o moderada para retirar por completo el cajón.

7.5 Reinstalación del cajón calentaplatos en la carcasa del cajón

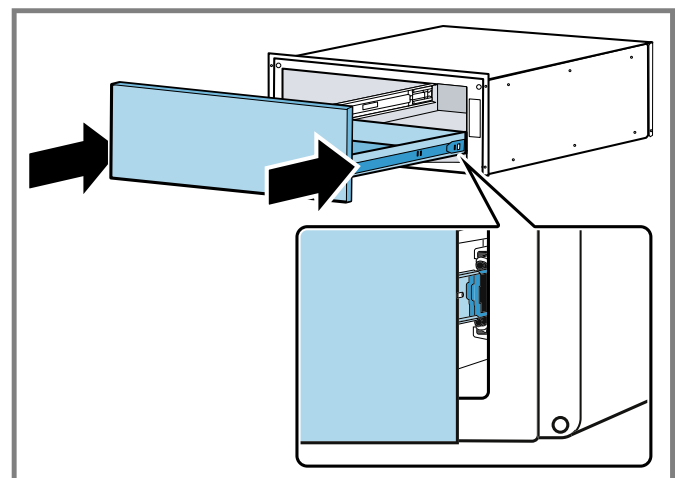
Requisito: Las guías montadas en cada lado de la pared de la carcasa cuentan con dos elementos móviles, un riel interior y un soporte de rodamiento de bolas, que necesitan tener una orientación determinada para conseguir una instalación y alineación precisas. También hay un mecanismo de bloqueo visible en la parte posterior de cada guía.

1. Deslizar el raíl interior, empujándolo hacia la parte trasera de la carcasa hasta que quede bloqueado.

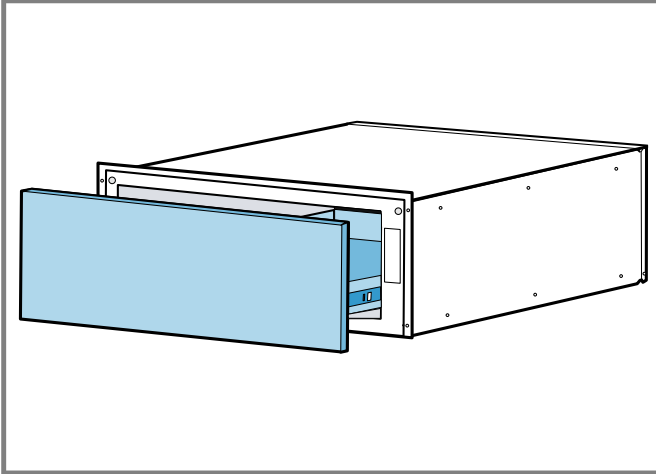


Nota: Se necesita aplicar una fuerza moderada en el mecanismo de bloqueo del soporte de bolas de plástico negro para activar el bloqueo. Cuando el cajón está instalado, el mecanismo de bloqueo evita que el cajón salte de nuevo y se abra.

2. Colocar el cajón calentaplatos frente a la carcasa del cajón. Alinear el riel con el extremo del riel de plástico hacia el soporte de bolas de la guía.



- Mantener el conjunto del cajón nivelado y centrado respecto a la carcasa, introducir con cuidado el cajón en el conjunto de la carcasa hasta que se perciba un ligero aumento de la resistencia en la posición aproximada que se muestra a continuación.



Notas

- Puede ser necesario hacer un ligero balanceo de lado a lado para conseguir que los rodamientos de bolas se alineen de forma exacta.
 - Si se necesita aplicar más que una fuerza moderada para introducir el cajón, retirarlo y repetir el procedimiento de instalación.
- Empujar el cajón hacia dentro por completo. Se debería oír un «clic» cuando el cajón está correctamente cerrado, haciendo que este quede en posición de bloqueo.

8 Comprobación del funcionamiento

Una vez completados los pasos de instalación, comprobar si la unidad funciona correctamente.

- Encender la energía eléctrica en el breaker.
- Para comprobar el funcionamiento del horno, seleccionar el modo **Bake**. Véase el manual de usuario para consultar las instrucciones de funcionamiento detalladas.
- Comprobar que se enciende la luz del horno y que el horno comienza a precalentar.

9 Servicio de atención al cliente

En cada reparación cubierta por la garantía, nos aseguramos de que su aparato sea reparado con repuestos originales por un proveedor de servicio capacitado y autorizado. Solo utilizamos repuestos originales para todos los tipos de reparaciones. Las informaciones detalladas sobre el periodo de validez de la garantía y las condiciones de garantía las podrá encontrar en nuestras condiciones de garantía, con su distribuido o en nuestra página web.

Cuando se ponga en contacto con el servicio de atención al cliente, no olvide indicar el número de modelo (E-Nr.) y el número de fabricación (FD) de su aparato.

USA:

1-800-735-4328

www.thermador.com/support

www.thermador.com/us/accessories

CA:

1-800-735-4328

www.thermador.ca

www.thermador.ca/en/support/filters-cleaners-accessories

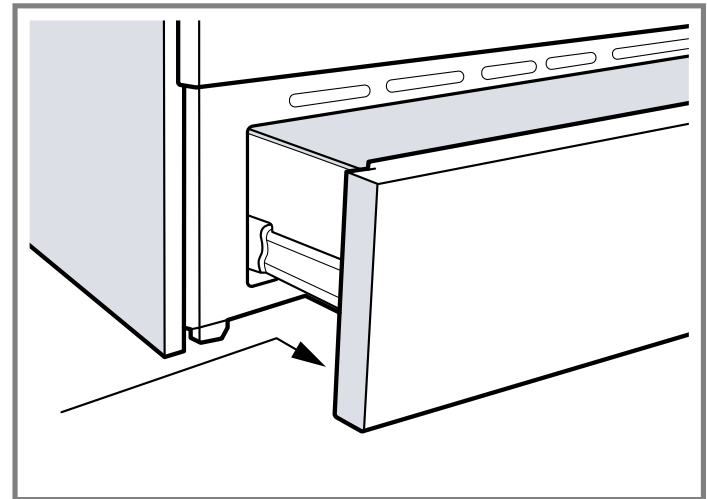
9.1 Número de modelo (E-Nr.) y número de fabricación (FD)

El número de modelo (E-Nr.) y el número de fabricación (FD) se encuentran en la placa de características del aparato.

Para volver a encontrar rápidamente los datos del aparato o el número de teléfono del servicio de atención al cliente, puede anotar dichos datos.

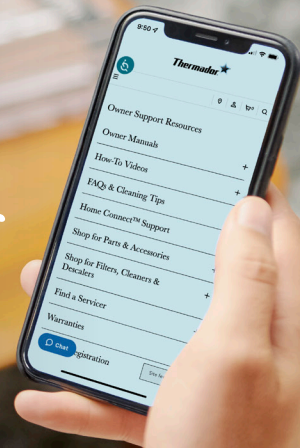
9.2 Ubicación de la placa de características del aparato

Puede encontrar la placa de características del aparato:



a Placa de características

Thermador[®] ★ Exclusive Insider Information



[Thermador.com/us/support/quicklinks](https://thermador.com/us/support/quicklinks)



Owner Manuals

Download owner manuals, specifications and CADs.



How-To Videos

View instructional videos for changing water filters, cleaning, adjusting settings, and beyond.



FAQs & Cleaning Tips

Browse through cleaning, usage, and troubleshooting tips.



Home Connect[®] Support

Find the answers to all your Home Connect[®] related questions.



Thermador Accessories Store

Purchase filters, cleaners, accessories, and parts.



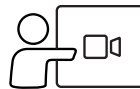
Warranties

View information on Thermador product warranties.



Product Registration

Register your products today to easily manage your appliance information.



Virtual Demo

Schedule a product overview to receive step-by-step guidance on using your appliance.



Virtual Showroom

Take a Virtual Showroom tour to view and interact with our entire collection of appliances.



Newsletter

Get the latest information on product news and events.



Blog

Read about the latest in home design and culinary inspiration.



Recipes

Need inspiration for your next gathering? Browse our vast collection of recipes.

1901 MAIN STREET, SUITE 600 IRVINE, CA 92614 USA // 1-800-735-4328 // WWW.THERMADOR.COM

© 2025 BSH HOME APPLIANCES CORPORATION

8001346530 // en-us, fr-ca, es-mx // 050918

