

MULTI-LOAD WASHERS

VENDED LAUNDRY – RIGID-MOUNT



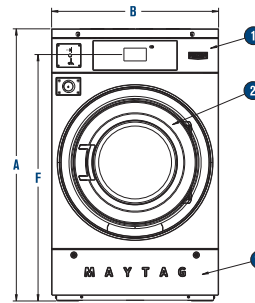
SINGLE COIN DROP MECHANISM, US
MYR55PD pictured



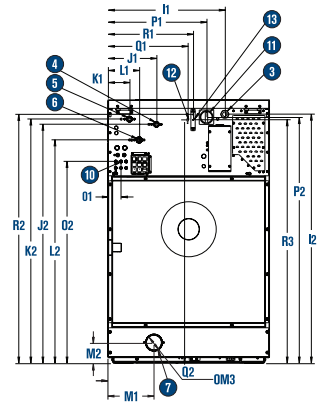
CARD READER READY
MYR55PR pictured

ADDITIONAL PAYMENT
CONFIGURATIONS AVAILABLE:

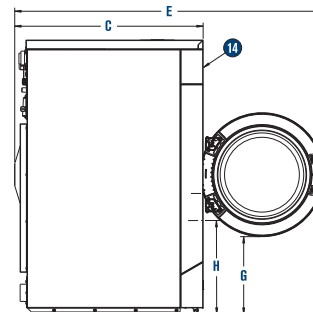
- MYR55PE
Dual Coin Drop Mechanism, Canada
- MYR55PF
Electronic Programmable Mechanism



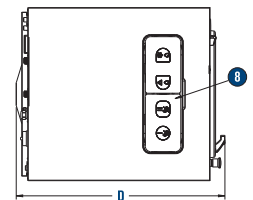
FRONT ELEVATION



BACK ELEVATION



SIDE ELEVATION



TOP ELEVATION

DIAGRAM KEY

- 1 Control Console
- 2 Loading Door
- 3 Electric Connection
- 4 Hot Water
- 5 Cold Water
- 6 Third Water
- 7 Drain
- 8 Soap Dispenser
- 9 Automatic Liquid Soap Manifold
- 10 Electric Disconnect
- 11 USB
- 12 Fuses
- 13 Toe Panel
- 14 Payment Mech. Location

		A	B	C	D	E	F	G	H	I1	I2	J1	J2	K1	K2	L1	L2	M1	M2	M3	O1	O2	P1	P2	Q1	Q2	R1	R2	R3
20R	MM	1112	660	686	772	1159	994	356	425	451	1045	225	1000	101	1023	146	927	168	95	70	60	826	368	1032	280	1019	305	1054	1019
	INCH	43 3/4	26	27	30 3/8	45 5/8	39 1/8	14	16 3/4	17 3/4	41 1/8	8 1/2	39 3/8	4	40 1/4	5 3/4	36 1/2	6 5/8	3 3/4	2 3/4	2 3/8	32 1/2	14 1/2	40 5/8	11	40 1/8	12	41 1/2	40 1/8
25R	MM	1222	750	724	791	1264	1108	346	419	543	1156	225	1108	101	1133	146	1035	213	95	70	70	937	458	1140	371	1130	394	1155	1130
	INCH	48 1/8	29 1/2	28 1/2	31 1/8	49 3/4	43 5/8	13 5/8	16 1/2	21 3/8	45 1/2	8 7/8	43 5/8	4	44 5/8	5 3/4	40 3/4	8 3/8	3 3/4	2 3/4	2 3/4	36 7/8	18	44 7/8	14 5/8	44 1/2	15 1/2	45 1/2	44 1/2
30R	MM	1222	750	841	905	1378	1108	346	419	543	1156	225	1108	101	1133	146	1035	213	95	70	70	937	458	1140	371	1130	394	1155	1130
	INCH	48 1/8	29 1/2	33 1/8	35 3/8	54 1/4	43 5/8	13 5/8	16 1/2	21 3/8	45 1/2	8 7/8	43 5/8	4	44 5/8	5 3/4	40 3/4	8 3/8	3 3/4	2 3/4	2 3/4	36 7/8	18	44 7/8	14 5/8	44 1/2	15 1/2	45 1/2	44 1/2
40R	MM	1410	889	883	946	1470	1289	467	537	578	1343	289	1244	175	1321	175	1224	283	133	70	70	1095	492	1330	406	1317	429	1343	1318
	INCH	55 1/2	35	34 3/4	37 1/4	57 7/8	50 3/4	18 3/8	21 1/8	22 3/4	52 1/8	11 3/8	49	6 7/8	52	6 7/8	48 3/8	11 1/8	5 1/4	2 3/4	2 3/4	43 1/8	19 3/8	52 3/8	16	51 7/8	16 7/8	52 1/8	51 7/8
55R	MM	1410	889	1019	1083	1607	1289	467	537	578	1343	289	1244	175	1321	175	1224	283	133	70	70	1095	492	1330	406	1317	429	1343	1318
	INCH	55 1/2	35	40 1/8	42 3/8	63 1/4	50 3/4	18 3/8	21 1/8	22 3/4	52 1/8	11 3/8	49	6 7/8	52	6 7/8	48 3/8	11 1/8	5 1/4	2 3/4	2 3/4	43 1/8	19 3/8	52 3/8	16	51 7/8	16 7/8	52 1/8	51 7/8
65R	MM	1410	889	1092	1156	1680	1289	467	537	578	1343	289	1244	175	1321	175	1224	283	133	70	70	1095	492	1330	406	1317	429	1343	1318
	INCH	55 1/2	35	43	45 1/2	66 1/8	50 3/4	18 3/8	21 1/8	22 3/4	52 1/8	11 3/8	49	6 7/8	52	6 7/8	48 3/8	11 1/8	5 1/4	2 3/4	2 3/4	43 1/8	19 3/8	52 3/8	16	51 7/8	16 7/8	52 1/8	51 7/8

VISIT MAYTAGCOMMERCIALLAUNDRY.COM FOR MORE INFORMATION.

®/™ © 2020 Maytag. All rights reserved.
MY200026 12/22

MULTI-LOAD WASHERS

VENDED LAUNDRY – RIGID-MOUNT



MODEL	MYR20 PD/PE/PF/PR	MYR25 PD/PE/PF/PR	MYR30 PD/PE/PF/PR	MYR40 PD/PE/PF/PR	MYR55 PD/PE/PF/PR	MYR65 PD/PE/PF/PR
CAPACITY						
Cylinder Volume — cu. ft. (liters)	2.6 (73)	3.6 (101)	4.6 (131)	6.0 (171)	8.1 (230)	9.3 (262)
Cylinder Diameter — in. (mm)	20.9 (530)	24.4 (620)	24.4 (620)	29.5 (750)	29.5 (750)	29.5 (750)
Cylinder Depth — in. (mm)	13.9 (352)	13.9 (352)	17.9 (454)	16.2 (411)	21.6 (548)	24.4 (621)
Dry Load Capacity — lb (kg)	20 (9)	25 (11)	30 (14)	40 (18)	55 (25)	65 (30)
SUSPENSION						
Max. Spin RPM/ Max. Extract G-Force	838 / 200	790 / 200	790 / 200	693 / 200	693 / 200	693 / 200
CONNECTIVITY						
USB Programmability	Yes	Yes	Yes	Yes	Yes	Yes
Built in WiFi*	Yes	Yes	Yes	Yes	Yes	Yes
DIMENSIONS						
Depth — in. (mm)	27 (686)	28.5 (724)	33.1 (841)	34.8 (883)	40.1 (1,019)	43 (1092)
Width — in. (mm)	26 (660)	29.5 (750)	29.5 (750)	35.0 (890)	35.0 (890)	35.0 (890)
Height — in. (mm)	43.8 (1,112)	48.1 (1,222)	48.1 (1,222)	55.5 (1,410)	55.5 (1,410)	55.5 (1,410)
Door Opening — in. (mm)	12.9 (328)	16.1 (410)	16.1 (410)	18.1 (459)	18.1 (459)	18.1 (459)
CRATED DIMENSIONS						
Width — in. (mm)	27.8 (705)	31.5 (800)	31.5 (800)	37.0 (940)	37.0 (940)	37.0 (940)
Depth — in. (mm)	33.1 (841)	34.6 (880)	39.0 (991)	40.5 (1,029)	46.0 (1,169)	48.9 (1,242)
Height — in. (mm)	50.0 (1,270)	54.4 (1,381)	54.4 (1,381)	61.4 (1,560)	61.4 (1,560)	61.4 (1,560)
APPROXIMATE WEIGHT						
Uncrated — lb (kg)	334 (151)	447 (203)	489 (222)	688 (312)	731 (332)	764 (347)
Crated — lb (kg)	365 (166)	480 (218)	523 (237)	724 (328)	769 (349)	802 (364)
ELECTRICAL CONNECTION OPTIONS (VOLTS / Hz / PHASE)						
W = 120 / 60 / 1 (no electrical heating)	Yes	Yes	Yes	No	No	No
T = 208 – 240 / 60 / 1 (no electrical heating)	Yes	Yes	Yes	Yes	Yes	Yes
WATER HEATING OPTIONS						
Hot/Cold Water Connections Only	Yes	Yes	Yes	Yes	Yes	Yes
WATER, CHEMICAL DISPENSING, DRAINS						
Number of Water Inlets	2	2	2	2	2	2
Optional Third Water Inlet	Yes	Yes	Yes	Yes	Yes	Yes
Inlet Sizes — in. (mm)	3/4 (19)	3/4 (19)	3/4 (19)	3/4 (19)	3/4 (19)	3/4 (19)
Operating Pressure — psi (bar)	20-120 (1-8)	20-120 (1-8)	20-120 (1-8)	20-120 (1-8)	20-120 (1-8)	20-120 (1-8)
Number of Dispenser Compartments	4	4	4	4	4	4
External Chemical Connections, Number	8	8	8	8	8	8
Dump Valve Drain, Size in. (mm)	Yes, 3 (76)	Yes, 3 (76)	Yes, 3 (76)	Yes, 3 (76)	Yes, 3 (76)	Yes, 3 (76)
Second Dump Valve Drain Option	No	No	No	No	No	No
ENERGY STAR® CERTIFIED	Not Tested	Not Tested	Not Tested	Not Tested	Not Tested	Not Tested
SOUND PRESSURE – dBA	<70	<70	<70	<70	<70	<70
MOTOR SIZE – hp	3/4	3/4	1.0	1.5	2.0	2.0



*WiFi required. Features subject to change.

See maytagcommerciallaundry.com for warranty details.