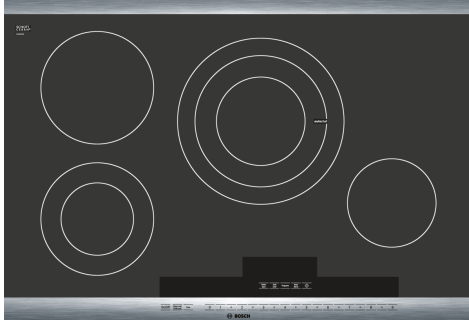


## Electric Cooktop, 30", Black, Without Frame NET8054UC



HEZ390230 System pan diameter 21cm

- **PerfectFry:** no more worrying about scorching.
- **Timer with switch-off function:** turns off the assigned cooking zone after the set time.
- **Panel Lock:** locks the control panel to prevent accidental changes in settings
- **Dual Cooking Element:** offers different sized elements to accommodate different sized pots and pans.
- **Precise Temperature Control:** Induction cooking offers a range of numbered heat levels for precise temperature and heat levels every time

UPC code: ..... 825225867616  
 Color: ..... Black  
 Energy source: ..... Electric  
 Fuse protection: .....32 A  
 Volts: ..... 240/208 V  
 Frequency: ..... 60 Hz  
 Plug Type: .....No Plug  
 Required Cutout Size (HxWxD) (in): .....4" x 28 7/8" x 20"  
 Minimum distance from counter front (in): ..... 2 1/4"  
 Minimum distance from rear wall (in): ..... 2"  
 Overall appliance dimensions (HxWxD) (in): .. 1/4"+4" x 31" x 21 1/4"  
 Product Packaging Dimensions (HxWxD): ..... 7 7/8" x 37 3/8" x 24"  
 Net Weight: ..... 27.000 lbs  
 Gross Weight: .....35.000 lbs  
 Total Number of Heating Elements: ..... 4



## **Electric Cooktop, 30", Black, Without Frame NET8054UC**

---

### **Key Features**

- SteelTouch™ with PreciseSelect™ - A Bosch Exclusive. High-end, Stainless Steel Touch Controls with Direct Cooking Selection (17 Settings).
- Three-Zone 12" Heating Element with Powerful 3080 Watt Element. Three Heating Zone Sizes in One. Accommodates a Variety of Pan Sizes.
- PowerStart® - Initial Maximum Power Output, Then Automatic Decrease to Pre-Selected Temperature. Avoids Boil Overs
- AutoChef® Sensor - A Bosch Exclusive. Maintains Exact Frying Temperature for Perfect Results and Convenient, Healthy Cooking
- Countdown Timer - Built-in Timers for Each Element. Doubles as General-Purpose Kitchen Timer

### **Design**

- High-end Stainless Steel Frame for a Premium Look

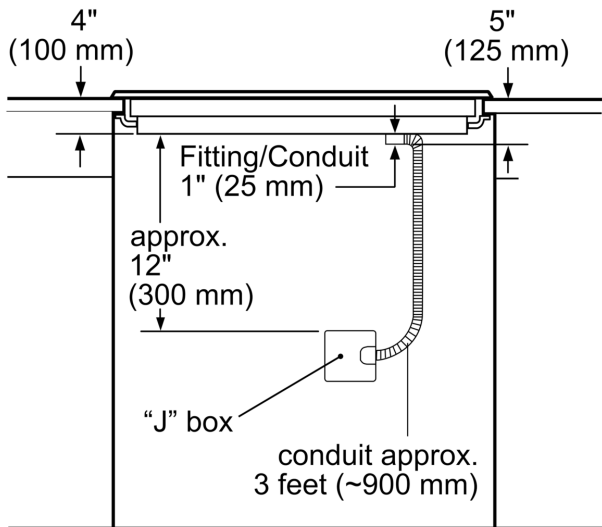
### **Performance**

- Dual Elements Offer the Capability to use Multiple Pan Sizes

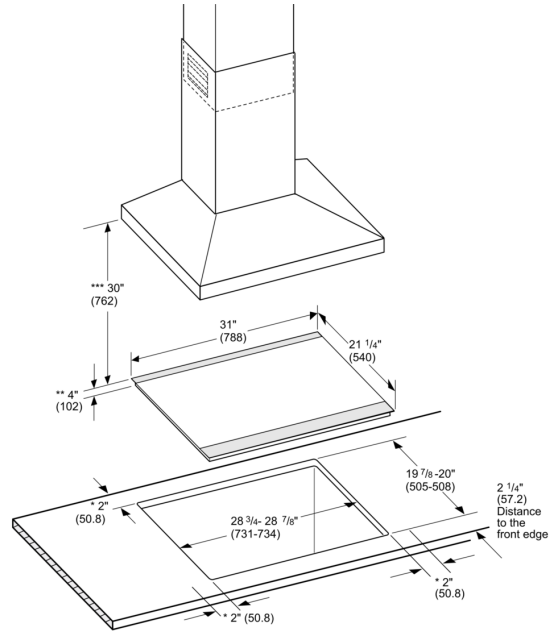
### **Convenience**

- Bosch Recommended Pan Included - Excellent Heating Performance and Superior Cleanability, Dishwasher Safe, Works with Electric and Induction Cooktops
- CleanLock - Prevents Unwanted Changing of Setting While Cleaning Spills
- Keep Warm function - allows meals to remain ready to serve
- Two-Level Heat Indicator - Warns if Cooktop is Warm or Hot
- ChildLock - Prevents the Cooktop from Being Accidentally Switched On, Locks Temperature Settings if in Use

**Electric Cooktop, 30", Black,  
Without Frame  
NET8054UC**



measurement in inches (mm)



- \* Minimum distance from the cooktop cutout to the wall
- \*\* Maximum cutout depth
- \*\*\* Minimum distance between the cooktop surface and lower edge of the exhaust hood.

Dimensions in inches (mm)