

Oven, 24", 9 Function, Self-cleaning

Series 7 | Contemporary

Stainless Steel

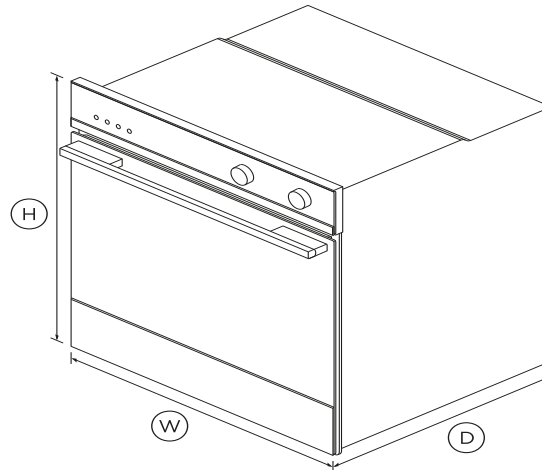


With generous capacity and beautiful contemporary styling, this built-in oven will complement your kitchen design perfectly.

- Three cubic feet total capacity, with nine oven functions including Aero™ Pastry and Roast
- Self-cleaning function breaks down food residue for an easy clean
- Moisture control and even heat distribution thanks to ActiveVent™ and AeroTech technology
- Optional non-tip, full-extension sliding shelves for safe removal of hot dishes

DIMENSIONS

Height	23 9/16"
Width	23 1/2"
Depth	22 1/4"



FEATURES & BENEFITS

GENEROUS CAPACITY

With a generous sized internal cavity, you can create several dishes at once using multiple shelves.

PERFECT RESULTS

Our built-in ovens feature ActiveVent technology for optimized moisture levels, and AeroTech™ for even heat distribution. Get perfect results even when you're using multiple shelves.

MULTI-FUNCTION FLEXIBILITY

Nine functions including Aero™ Pastry, Roast and Aero™Bake mean no matter what you're cooking, you've got the right heat to match.

SEAMLESS FIT

Designed to fit seamlessly in your kitchen, this built-in oven fits flush with cabinetry to minimize gaps and add to a cohesive aesthetic.

CLEANING IS SIMPLE

The self-clean function breaks down food residue at a very high temperature, leaving a light ash that's easily removed with a damp cloth.

THE BEAUTY OF CHOICE

With the choice of stylish stainless steel or elegant black, you can choose the finish that complements your kitchen design best.

SAFE AND SOUND

The CoolTouch door features triple glazing and a cooling system that ensures it's safe to touch from the outside – protecting both your hands and the surrounding cabinetry.

SPECIFICATIONS

Accessories

Food probe	1
Full extension telescopic	•
Grill pan	1
Meat probe	1
Step down wire shelf	1

Accessories (sold separately)

Optional Accessory round	Part 81671
Optional round handle	Part 81645

Capacity

Shelf positions	6
Total capacity	3cu ft
Usable capacity	2.5cu ft

Cleaning

Acid resistant graphite enamel	•
Pyrolytic self-clean	•
Removable oven door	•
Removable oven door inner	•
Removable shelf runners	•

Controls

Audio feedback	•
Automatic cooking/minute	•
Automatic pre-set	•
Celsius/Fahrenheit	•
Electronic capacitive touch	•
Electronic clock	•
Electronic oven control	•
Intuitive touchscreen display	•
Precise electronic temperature	•
Soft close doors	•
Turned stainless dials with	•

Functions

Aero Bake	•
Aero Broil	•
Aero Pastry	•
Bake	•

Broil	•
Maxi Broil	•
Number of functions	9
Rapid proof	•
Roast	•
Self-clean	•
True Aero	•
Vent bake	•
Warm	•

Performance

ActiveVent™ system	•
AeroTech™ technology	•
Automatic rapid pre-heat	•
Broil power	3200W
Whisper quiet cooking	•

Power requirements

Amperage	16.6-19.4A
Supply frequency	60Hz
Supply voltage	208-240V

Product dimensions

Depth	22 1/4"
Height	23 9/16"
Width	23 1/2"

Safety

ADA compliant	•
Advanced cooling system	•

Balanced oven door	•
Catalytic venting system	•
Child lock	•
Control panel key lock	•
Non-tip shelves	•

SKU	82257
-----	--------------

The product dimensions and specifications in this page apply to the specific product and model. Under our policy of continuous improvement, these dimensions and specifications may change at any time. You should therefore check with Fisher & Paykel's Customer Care Centre to ensure this page correctly describes the model currently available. ? Fisher & Paykel Appliances Ltd 2020

Other product downloads available at fisherpaykel.com



User Guide



User Guide



Service & Warranty



Installation Guide / Guide d'installation



Data Sheet Oven



A PEACE OF MIND SALE

24 Hours 7 Days a Week Customer Support

T 1.888.936.7872 **W**www.fisherpaykel.com