

# Oven, 24", 16 Function, Self-cleaning

Series 7 | Contemporary

Stainless Steel

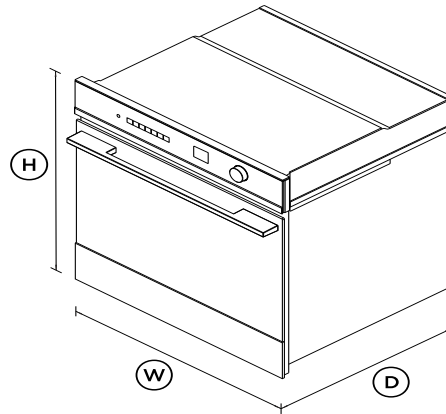


With beautiful Contemporary styling and a generous 85L total capacity, this built-in oven helps to ensure that every dish you create is cooked to perfection.

- 3 cu ft total capacity, with 16 oven functions including Air Fry and Dehydrate
- Moisture level control with ActiveVent technology
- Pyrolytic self-cleaning function breaks down food residue for an easy clean
- Guided cooking capability offers helpful tips for different food types

## DIMENSIONS

|        |          |
|--------|----------|
| Height | 23 9/16" |
| Width  | 23 7/16" |
| Depth  | 22 1/4"  |



## FEATURES & BENEFITS

### MULTI-FUNCTION FLEXIBILITY

Each function has been perfected to ensure that no matter what you're cooking, you've got the right heat to match. This built-in oven has 16 functions including Pastry Bake, Roast, Fan Grill, Dehydrate and Rapid Proof, allowing you to use a variety of cooking styles.

### GENEROUS CAPACITY

With a generous 3 cu ft total capacity, you can create several

perfectly cooked dishes at once using multiple shelves.

### COOK WITH CONFIDENCE

The intuitive 2.4" screen provides an intuitive guided cooking experience that helps to deliver perfect results, whether you've been cooking all your life or are just starting out. Cook by food type and allow your oven to guide you through steps, or change temperature and heat type automatically, depending on your selection.

### EXCEPTIONAL PERFORMANCE

Our unique cooking technologies were developed to deliver perfect results. ActiveVent ensures optimised moisture levels, while AeroTech™ circulates heat evenly for a consistent temperature.

### SELF-CLEANING

Pyrolytic self-clean breaks down food residue at a very high temperature, leaving a light ash that's easily removed with a damp cloth. The enamel coated side racks don't need to be removed when using this function.

### DESIGN FREEDOM

Designed to fit seamlessly into your kitchen, this built-in oven features premium materials and detailing to support a cohesive, considered kitchen design.

### SAFE AND SOUND

The CoolTouch door features triple glazing and a cooling system that ensures it's safe to touch from the outside - protecting both your hands and the surrounding cabinetry.

## SPECIFICATIONS

### Accessories

|                                |       |
|--------------------------------|-------|
| Broil pan                      | 1     |
| Broil rack                     | 1     |
| Full extension sliding shelves | 1 set |
| Pyrolytic proof shelf runners  | •     |

|                          |   |
|--------------------------|---|
| Step down wire shelf     | 1 |
| Wired temperature sensor | 1 |

|                              |   |
|------------------------------|---|
| Turned stainless steel dials | • |
| Wi-Fi connectivity           | • |

|                  |              |
|------------------|--------------|
| Amperage         | 16.6 - 19.4A |
| Supply frequency | 60Hz         |
| Supply voltage   | 208-240V     |

**Capacity**

|                 |          |
|-----------------|----------|
| Shelf positions | 6        |
| Total capacity  | 3cu ft   |
| Usable capacity | 2.5cu ft |

**Functions**

|                     |    |
|---------------------|----|
| Aero Bake           | •  |
| Aero Broil          | •  |
| Air fry             | •  |
| Bake                | •  |
| Broil               | •  |
| Classic bake        | •  |
| Dehydrate           | •  |
| Number of functions | 16 |
| Pastry Bake         | •  |
| Pizza bake          | •  |
| Rapid proof         | •  |
| Roast               | •  |
| Self-clean          | •  |
| Slow cook           | •  |
| True Aero           | •  |
| Vent bake           | •  |
| Warm                | •  |

**Product dimensions**

|        |          |
|--------|----------|
| Depth  | 22 1/4"  |
| Height | 23 9/16" |
| Width  | 23 7/16" |

**Cleaning**

|                                |   |
|--------------------------------|---|
| Acid resistant graphite enamel | • |
| Pyrolytic proof shelf runners  | • |
| Pyrolytic self-clean           | • |
| Removable oven door            | • |
| Removable oven door inner      | • |
| Removable shelf runners        | • |

**Safety**

|                          |   |
|--------------------------|---|
| ADA compliant            | • |
| Balanced oven door       | • |
| Catalytic venting system | • |
| Control panel key lock   | • |
| CoolTouch door           | • |
| Non-tip shelves          | • |
| Safety thermostat        | • |

**Controls**

|                                |   |
|--------------------------------|---|
| Adjustable audio and display   | • |
| Automatic cooking/minute       | • |
| Automatic pre-set              | • |
| Celsius/Fahrenheit             | • |
| Delay start                    | • |
| Electronic clock               | • |
| Electronic oven control        | • |
| Food probe                     | • |
| Halogen lights                 | • |
| Precise electronic temperature | • |
| Sabbath mode with Star K       | • |
| Soft close doors               | • |
| True convection oven           | • |

**Performance**

|                          |              |
|--------------------------|--------------|
| ActiveVent™ system       | •            |
| AeroTech™ technology     | •            |
| Automatic rapid pre-heat | •            |
| Temperature range        | 95°F - 540°F |
| Whisper quiet cooking    | •            |

**Warranty**

|                 |         |
|-----------------|---------|
| Parts and labor | 2 years |
|-----------------|---------|

|     |       |
|-----|-------|
| SKU | 82558 |
|-----|-------|

The product dimensions and specifications in this page apply to the specific product and model. Under our policy of continuous improvement, these dimensions and specifications may change at any time. You should therefore check with Fisher & Paykel's Customer Care Centre to ensure this page correctly describes the model currently available. ? Fisher & Paykel Appliances Ltd 2020

---

Other product downloads available at [fisherpaykel.com](http://fisherpaykel.com)



Service & Warranty



Installation Guide Oven



Datasheet Oven



Preliminary Specification Guide Wall Oven



**A PEACE OF MIND SALE**

24 Hours 7 Days a Week Customer Support

T 1.888.936.7872 **W**[www.fisherpaykel.com](http://www.fisherpaykel.com)