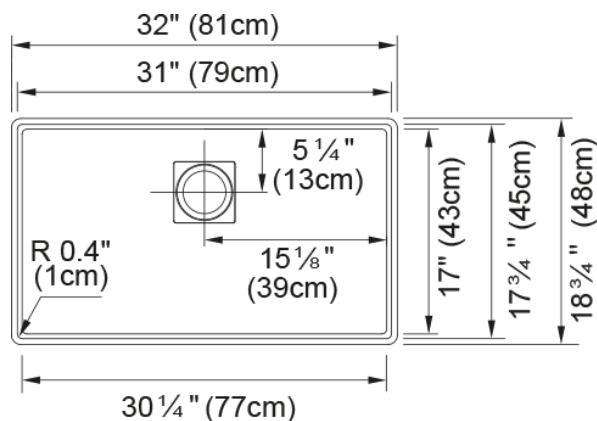


## Peak Workcenter Sink - PKG11031MBK-WKC | 125.0672.235



32.0-in. x 18.75-in. Undermount Single Bowl Granite Kitchen Sink in Matte Black. The Peak Granite Workcenter transforms an underutilized area in the kitchen into a space that is both functional and sophisticated. The integrated ledge enhances your workspace by allowing you to work directly over the sink, and the included custom-fit accessories streamline your workflow. Available in seven color hues, the Peak Granite Workcenter seamlessly blends into the most active area in your house, the kitchen. ACCESSORIES INCLUDED: Bottom Grid Mat, Shelf Grid, Cutting Board, Drain Cover and Strainer Basket

### Aspect

|                  |             |
|------------------|-------------|
| Sink type        | Sink        |
| Type of material | Granite     |
| Number of bowls  | 1           |
| Color            | Matte black |
| Surface finish   | None        |

### Product Dimensions

|                                |        |
|--------------------------------|--------|
| Length (right to left)         | 31.984 |
| Width (front to back)          | 18.74  |
| Large bowl size: right to left | 31     |
| Large bowl size: front to back | 17.756 |
| Large bowl: depth              | 9.5    |

### Installation

|                      |     |
|----------------------|-----|
| Minimum cabinet size | 36" |
|----------------------|-----|

### Product specifications

|                     |            |
|---------------------|------------|
| Installation type   | Undermount |
| Drain hole          | 3 1/2"     |
| Position of drainer | No drainer |

### Product identification

|                |        |
|----------------|--------|
| Product brand  | FRANKE |
| Product family | Mythos |
| Collection     | Peak   |
| Certified by   | CE     |

### Features

|                       |            |
|-----------------------|------------|
| Drainers number       | No drainer |
| Product reversibility | No         |

|                            |                |
|----------------------------|----------------|
| Faucet ledge               | No             |
| Strainer assembly included | Yes            |
| Strainer Assembly          | Manual         |
| Overflow                   | No             |
| Number of faucet holes     | No faucet hole |
| Soap dispenser hole        | No             |