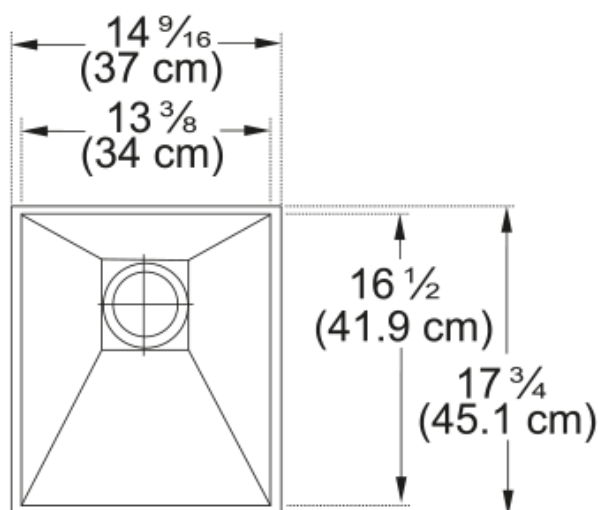


Peak Undermount Sink - PKX11013 | 122.0074.951



15-in. x 18-in. 16 Gauge Stainless Steel Undermount Single Bowl Prep/Bar Sink Clean lines and a modern silhouette merge with easy- to-maintain 16 gauge stainless steel to deliver a look that remains smart and stylish through years of daily use. The integral ledge system enhances your workspace by allowing you to work directly over the sink. The bottom sink grid raises to sit on the integrated ledge, creating a higher-level workspace to expand your prep, clean, and rinse area. The removable square drain cover conceals the drain for a seamless bowl surface while providing a flat bottom surface to allow for a more usable workspace. Square drain cover included.

Aspect

Sink type	Sink
Type of material	Stainless steel
Number of bowls	1
Color	Steel
Surface finish	Silk

Product Dimensions

Length (right to left)	14.567
Width (front to back)	17.717
Large bowl size: right to left	13.386
Large bowl size: front to back	16.535
Large bowl: depth	9.843

Installation

Minimum cabinet size	18"
----------------------	-----

Product specifications

Installation type	Undermount
Drain hole	3 1/2"
Position of drainer	No drainer

Product identification

Product brand	FRANKE
Product family	Mythos
Collection	Peak
Certified by	IAPMO

Features

Drainers number	No drainer
Product reversibility	No

Faucet ledge	No
Strainer assembly included	No
Strainer Assembly	No waste kit
Overflow	No
Number of faucet holes	No faucet hole
Soap dispenser hole	No