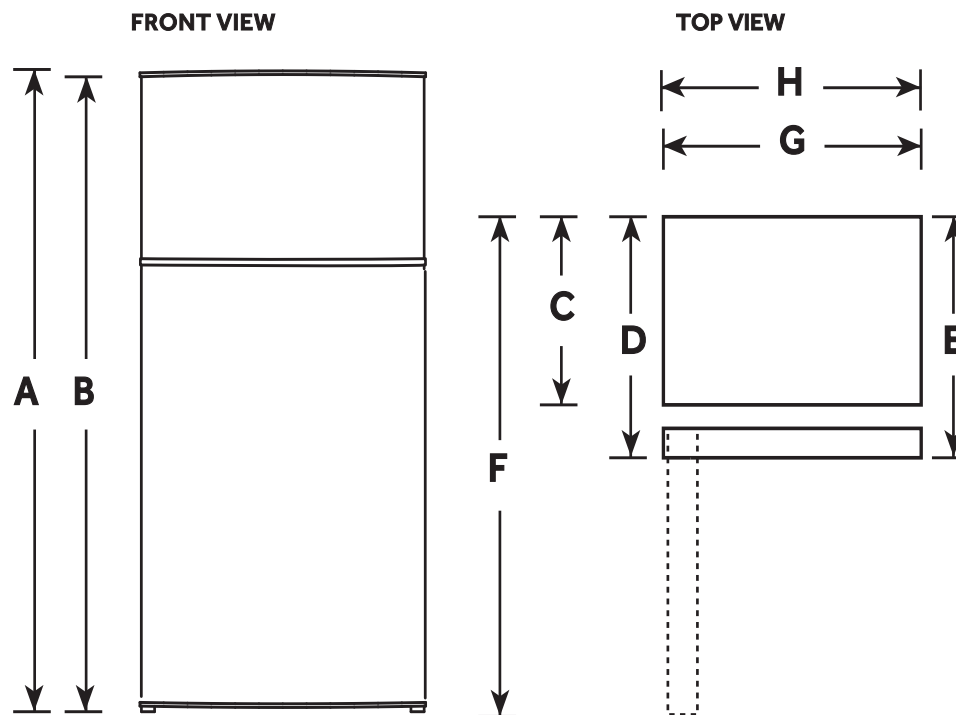


PPV10R5YLSS/BB

GE® 9.8 Cu. Ft. Top-Freezer

DIMENSIONS AND INSTALLATION INFORMATION (INCHES)

OVERALL DIMENSIONS	Height to top of hinge (in.) A	59.8
	Height to top of case (in.) B	59.2
	Case depth without door (in.) C	22.8
	Depth less door handle (in.) D	25.8
	Depth with door handle (in.) E	25.8
	Depth with fresh food door open 90° (in.) F	47.2
	Width (in.) G	23.5
	Width with door open 90° inc. door handle (in.) H	24.5
AIR CLEARANCES	Each side (in.)	1
	Top (in.)	1
	Back (in.)	2



For answers to your Monogram, GE Café™ Series, GE Profile™ Series or GE Appliances product questions, visit our website at geappliances.com or call GE Answer Center® Service, 800.626.2000.



PPV10R5YLSS/BB

GE[®] 9.8 Cu. Ft. Top-Freezer

FEATURES AND BENEFITS

12V DC Power - Designed for use in RVs, this innovative 12V DC top freezer RV refrigerator is compatible with both battery and solar power

Modern 12V DC Top Freezer Design with Reflective Glass Finish - Upgrade your RV with our sleek 12V DC top freezer refrigerator featuring a modern design and a stylish reflective glass finish with robust durability & edge protection to prevent damage

Maximized Storage - Revel in plenty of extra space in this maximized design. Three full-width glass shelves provide a flexible solution in this 9.8-cubic-foot refrigerator with top freezer

Built for Battery Performance - Semi-automatic defrost technology allows for improved battery performance and energy savings when compared to traditional RV freezer defrost cycles

Convenient Refrigerator Organization - This inventive 12V DC top freezer design includes glass refrigerator shelves, clear door bins and clear crisper drawers for optimized organization and clear visibility

Easy Refrigerator Installation - Easy installation with included mounting brackets and door lock, while the compressor cooling system requires no external RV ventilation

LED Lighting - Refrigerator LED lights fully illuminate the entire interior for advanced visibility of all your fresh foods

Full-Width Crisper Drawer - Enjoy fresh food thanks to an innovative crisper drawer that helps optimize food preservation

9.8 Cu. Ft. Capacity - Stay organized and efficient on the go with ample storage for all your essentials

Reliable Cooling Performance - Durability tested compressor is tested for extremes to deliver reliable performance

Master Power Down Button - For convenience and easy storage when not in use

2-Year Limited Warranty

PPV10R5YLSS – Stainless Steel

PPV10R5YLBB – Black

