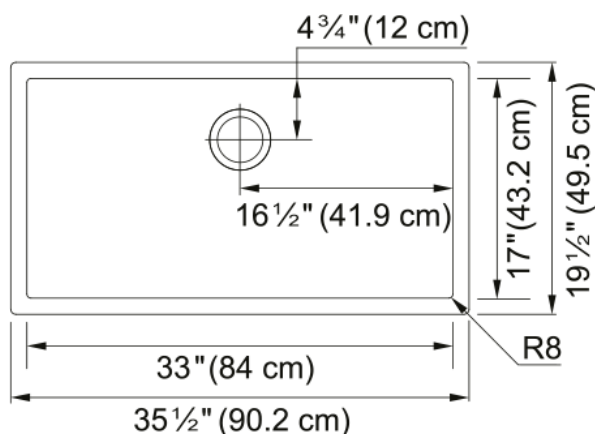


Professional 2.0 Sink - PS2X110-33-WKC | 122.0672.204



Workcenter 35.5-in. x 19.5-in. 16 Gauge Stainless Steel Undermount Single Bowl Kitchen Sink. The stylish Professional 2.0 Workcenter sink offers multiple kitchen tools to wash food, chop, prep, clean up, dry dishes, and more. This sink consolidates separate kitchen areas into one workspace, allowing you to work smartly and efficiently. Made of 16-gauge commercial-grade stainless steel with a beautiful Diamond finish that takes minimal care to maintain a clean, the Professional 2.0 Workcenter sink will add a special touch to your kitchen. ACCESSORIES INCLUDED: Bottom Grid, Colander, Cutting Board, Strainer Basket and Drain Cover

Aspect

Sink type	Sink
Type of material	Stainless steel
Number of bowls	1
Color	Steel
Surface finish	Pearl

Product Dimensions

Length (right to left)	35.433
Width (front to back)	19.488
Large bowl size: right to left	33
Large bowl size: front to back	17
Large bowl: depth	10

Installation

Minimum cabinet size	39"
----------------------	-----

Product specifications

Installation type	Undermount
Drain hole	3 1/2"
Position of drainer	No drainer

Product identification

Product brand	FRANKE
Collection	Professional Series
Certified by	IAPMO

Features

Drainers number	No drainer
Product reversibility	No
Faucet ledge	No

Strainer assembly included	Yes
Strainer Assembly	Manual
Overflow	No
Number of faucet holes	No faucet hole
Soap dispenser hole	No