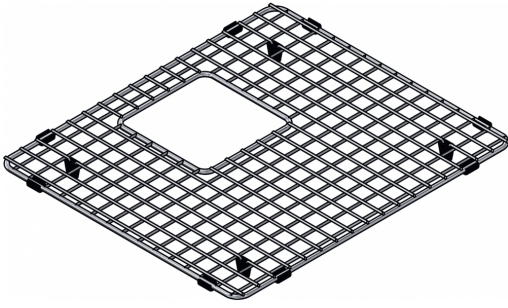


Sink Grid - PT20-36S | 112.0489.171



18.3-in. x 15.8-in. Stainless Steel Bottom Sink Grid for Pescara PTX110-20 Sink. A Franke stainless steel bottom grid offers everyday protection for your sink. The rubber feet elevate the grid from the sink surface and the protective bumpers add additional protection to the surface of the sink. Custom designed for the Pescara stainless steel sink. Dishwasher safe.

Aspect

Type of material	Stainless steel
Color	Stainless steel
Sub-category	Rack