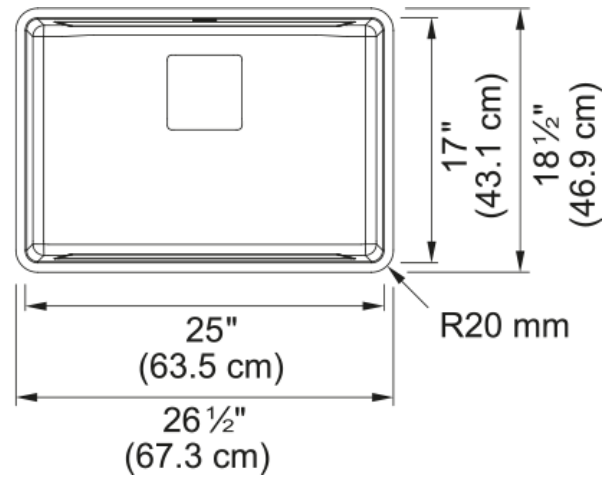
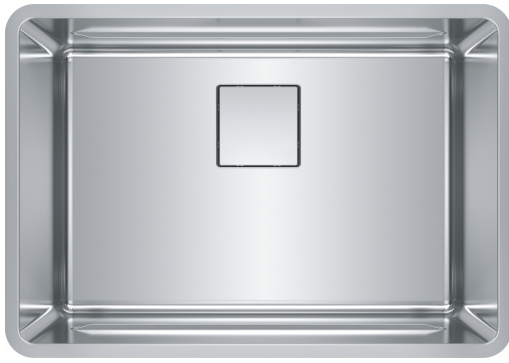


Pescara Undermount Sink - PTX110-25 | 122.0491.565



26.5-in. x 18.5-in. 18 Gauge Stainless Steel Undermount Single Bowl Kitchen Sink. Pescara sinks are equipped with a level of functionality and performance that maximizes usability for the home chef or kitchen connoisseur. Crafted from 18-gauge stainless steel with smooth corners, this sink is low maintenance and easier to clean. The integrated ledge system enhances your workspace by allowing you to work directly over the sink. The shelf grid raises to sit on the integrated ledge, creating a higher-level workspace to expand your prep, clean, and rinse area. The removable drain cover conceals the drain for a seamless bowl surface while providing a flat bottom that helps prevent glassware from tipping over. Made of 18 gauge T304 stainless steel, highly resilient to corrosion and stains, and extremely durable to handle the everyday tasks in the busiest of kitchens. The 20mm radius corners make it easy to clean every part of the sink.

Aspect

Sink type	Sink
Type of material	Stainless steel
Number of bowls	1
Color	Steel
Surface finish	Pearl

Product Dimensions

Length (right to left)	26.496
Width (front to back)	18.181
Large bowl size: right to left	25
Large bowl size: front to back	16.969
Large bowl: depth	9.488

Installation

Minimum cabinet size	30"
----------------------	-----

Product specifications

Installation type	Undermount
Drain hole	3 1/2"
Position of drainer	No drainer

Product identification

Product brand	FRANKE
Product family	Mythos
Collection	Pescara
Certified by	IAPMO

Features

Drainers number	No drainer
Product reversibility	No
Faucet ledge	No
Strainer assembly included	No
Strainer Assembly	No waste kit
Overflow	No
Number of faucet holes	No faucet hole
Soap dispenser hole	No