

PUR 98 D

Island décor hood

with energy-efficient LED lighting and backlit controls for easy use.



- Timeless design – stainless steel canopy 35 3/8 (898) in (mm) wide
- Powerful – 506.18 (860) ft³/min (m³/h) in Booster level
- Efficient filtration- 10-ply stainless steel grease filters
- Safe and easy to clean – Miele CleanCover
- Suitable for every home – vented or recirculating

EAN: 4002515940082 / Material number: 10743130 /
Old Material Number: 28410857USA

General information	
Model number	PUR 98 D
Manufacturer material number	10743130
EAN number	4002515940082
Marketing class	Silver
Design	
Island ventilation hood	•
Construction type and design	
Color	Stainless steel
Operating modes	
Recirculated mode	Can be retrofitted
Recirculation conversion kit (order separately)	DUI 32
OdorFree charcoal filter (order separately)	DKF 12-P
User convenience	
Electronic controls	•
Operation	Light-touch switches with LEDs
Power levels (number excl. Intensive)	3
Booster levels	1
CleanCover	•
Filter system	
Number of dishwasher-safe stainless steel grease filters (10-ply)	3
Lighting	
Number x W	4 x 3 W
Light intensity in lx	500 lx
Color temperature in K	3000 Kelvin
Blower	
Dual-action blower	•
Exhaust air	
Air throughput in CFM in Booster	507
Air throughput with Booster level 1 (m ³ /h) according to EN 61591	506.18 (860)
Safety	
Safety shut-off	•
Technical data	
Canopy width in in.(mm)	35 3/8 (898)
Overall min. height for vented and external in in. (mm)	27 1/4 (690)
Overall max. height for vented and external in in. (mm)	39 (990)
Canopy height in in.(mm)	2 7/8 (70)
Overall min. height for recirculation in in. (mm)	29 5/8 (750)
Canopy depth in in.(mm)	23 5/8 (598)
Overall max. height for recirculation in in. (mm)	41 3/4 (1060)
Net weight in lbs. (kg)	75 (34.0)
Hard-wired	•
Minimum height above electric cooktops in mm	24 1/8 (610)
Minimum safety distance above gas cooktops (max. 12.6 kW total power, burner ≤ 4.5 kW) in mm	26 (660)
Plug type	Without plug

PUR 98 D

Island décor hood

with energy-efficient LED lighting and backlit controls for easy use.



EAN: 4002515940082 / Material number: 10743130 /
Old Material Number: 28410857USA

Number of phases	1
Total connected load in kW	0.36
Voltage in V	120
Fuse rating in A	15
Frequency in Hz	60

Installation note

Vent connection at top	•
Diameter of vent connection in in.(mm)	6 (150)
Telescopic chimney	•

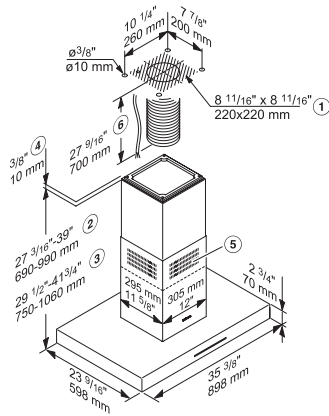
Standard accessories

Non-return flap	•
-----------------	---

PUR 98 D

Island décor hood

with energy-efficient LED lighting and backlit controls for easy use.



PUR 98 D (Installation drawing) – USA/CDN

1) Installation area/site, 2) Vented, 3) Recirculation, 4) Installation alternatively with spacer frame, 5) Ventilation grille positioned at the top for recirculation, 6) A supply lead, and for vented mode flexible vent ducting, must be pre-fitted for the connection in the ceiling to the connection of the cooker hood.