



INSTALLATION INSTRUCTIONS

**32-inch 3-Burner Gas Grill
with Rear Infrared Burner
Built-In/Freestanding
RBG3201-G
RBG3201**



INSTALLATION INSTRUCTIONS MANUAL

**GR 32-inch 3-Burner Built-In Gas
Grill with Rear Infrared Burner
RBG3201-G**

**GR 32-inch 3-Burner
Freestanding Grill with Rear
Infrared Burner
RBG3201**

THOR
K I T C H E N[®]

TABLE OF CONTENTS

IMPORTANT: PLEASE READ AND FOLLOW04
BUILT-IN INSTALL GUIDE.....05
FREESTANDING INSTALL GUIDE.....07
WARRANTY10

IMPORTANT: PLEASE READ AND FOLLOW

- Before beginning, please read these instructions completely and carefully.
- Do not remove permanently affixed labels, warnings, or plates from product.
- This manual is divided into two parts: Built-in and Freestanding. Consumers can choose the installation steps according to the type purchased.

BEFORE INSTALLING GRILL TO CART: Remove drip tray, grill grates, flavor grids, and warming racks from the grill.

To remove side tables (optional):

The side shelves on the cart can be removed if needed. This must be done before installing the grill on the cart. With the shelf in the up position, remove the screws in the shelf support bracket. This will allow you to remove both the brackets and the shelf.

To mount grill to cart for 32"/36":

Always wear gloves when handling the gas grill. Although the grill is deburred prior to shipment, some edges may still be sharp enough to cause injury during handling. With a minimum of two (2) people, place the grill in the cart with about 3 to 4 inches hanging out the front making sure that the male fitting on the bottom of the grill is inside the cart. Push the grill back until the front sides of the cart are flush with the back of the landing ledge on the grill.

Be careful: the grill unit is very heavy!

CALIFORNIA PROPOSITION 65 - WARNING: This product can expose you to Carbon Monoxide, which is on the list of substances known by the state of California to cause cancer, birth defects or reproductive harm. For more information go to: www.p65warnings.ca.gov. California law requires businesses to warn customers of potential exposure to such substances. To minimize exposure to these substances, always operate this unit according to the Use and Care Manual, ensuring you provide good ventilation when cooking with gas.

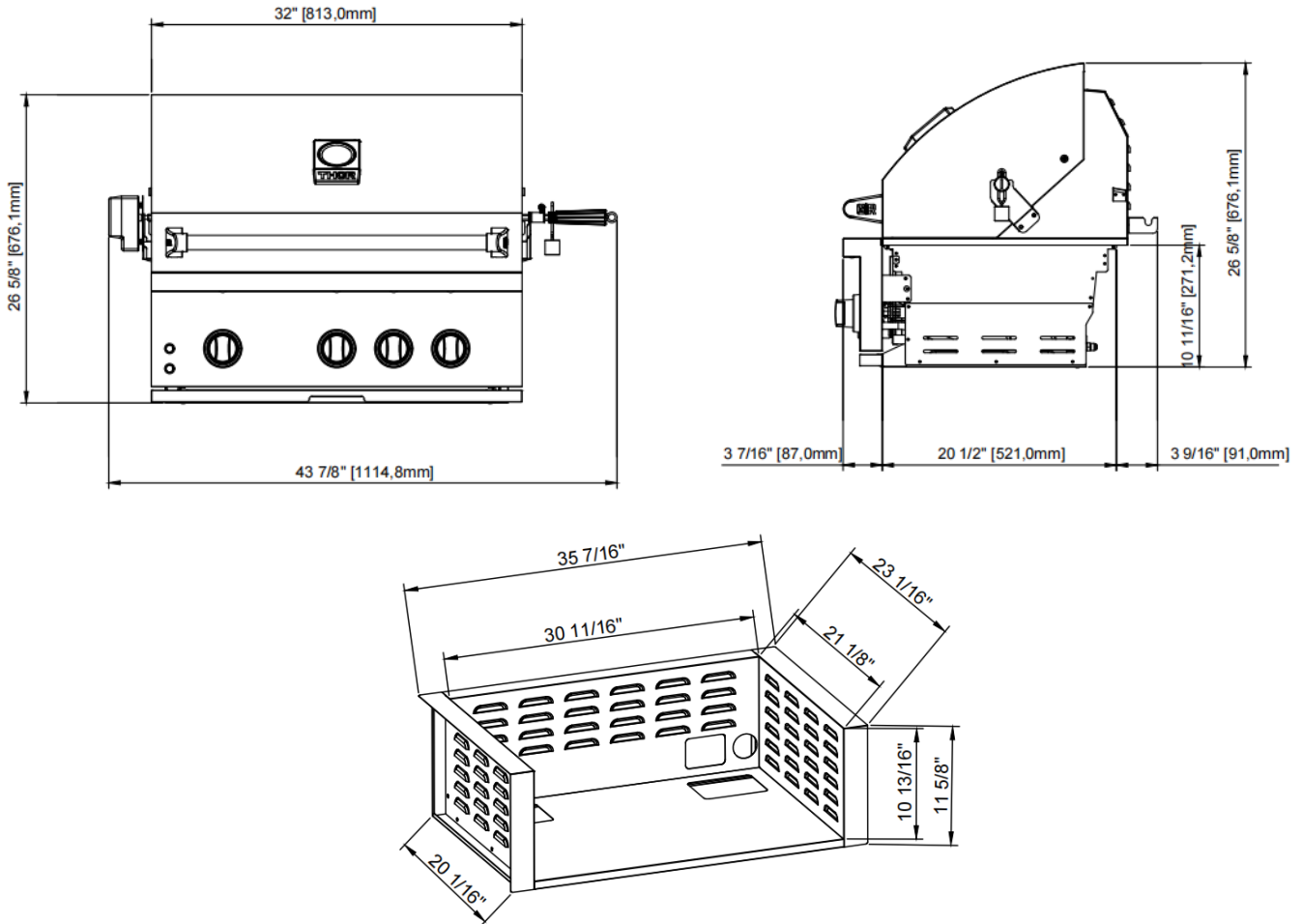
Ventilation Requirements:

- ✓ Regardless if you are using a combustible or non-combustible building material, you must include at least two vents within the island.
- ✓ These vents must be at least 20 sq. in. each and allow fresh air to move from the grill cabinet to the exterior environment.
- ✓ For a propane setup, the vents should be installed lower as propane is heavier than air.
- ✓ For a natural gas setup, the vents should be located higher in the island, as natural gas is lighter than air.
- ✓ Do not locate the two vents on the same wall of the island. Cross ventilation is key to allow any excess heat or trapped gas to dissipate.

Important Note to Installer: This file is not intended to replace your Owners' Manual which contains specific safety requirements and consumer guidelines. Please refer to your Owners' Manual prior to installing or operating your built-in grill.

BUILT-IN INSTALL GUIDE

DIMENSION RENDERINGS



Overall Product Dimensions			
Model No.	Height	Width	Depth
RBG3201-G	26 5/8"	32 "	27 1/2"
IJBG3226	11 5/8"	35 7/16"	23 1/16"

Cutout Dimensions for island			
Model No.	Height	Width	Depth
RBG3201-G	10 11/16"	32 "	20 1/2"
IJBG3226	10 13/16"	30 11/16"	21 1/8"

√ When using a Thor insulated jacket, you will want to build your island to the jackets Cutout and Overall Dimensions listed above (detailed on 2nd page). Once the jacket is installed, the grill will rest on/inside the insulated jacket

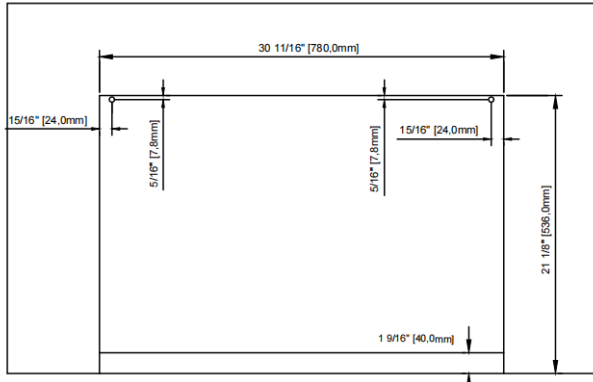
Model No.	Gas Supply	BTU's	Regulator	WC Pressure	Max PSI	Electrical Requirements
RBG3201-G	Propane	66,000	20 lb Tank Regulator	11"	.5 PSI	Qty1-120 VAC 60 Hz Grounded Plug
	Natural Gas	66,000	1/2" Pipe	4"	.5 PSI	Qty1-120 VAC 60 Hz Grounded Plug

Important Note to Installer: This file is not intended to replace your Owners' Manual which contains specific safety requirements and consumer guidelines. Please refer to your Owners' Manual prior to installing or operating your built-in grill.

BUILT-IN INSTALL GUIDE

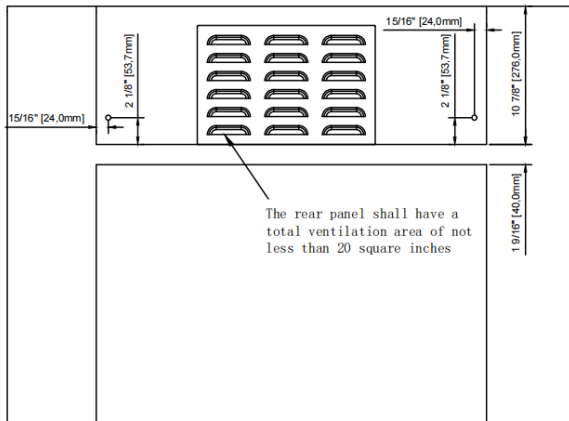
NON-COMBUSTIBLE CONSTRUCTION Insulated Jacket NOT Required

TOP VIEW



30 11/16"
OPENING WIDTH

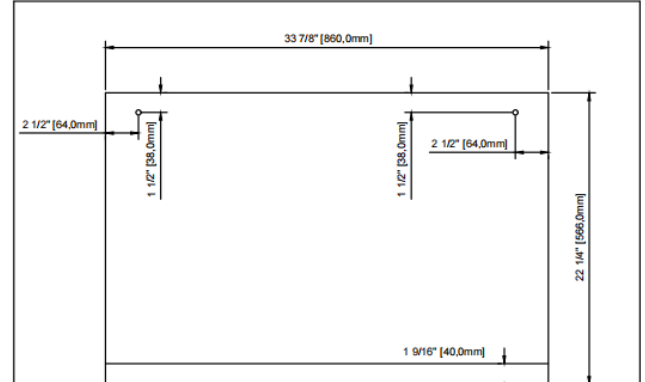
FRONT VIEW



- ✓ Combustible material can not be within 24" of the grills frame
- ✓ This applies to all directions - horizontal & vertical
- ✓ Shaded area above on "TOP VIEW" illustrates the 24" minimum requirement (not to scale for rendering purposes)
- ✓ The grill is designed to hang from the counter top with no support underneath
- ✓ Minimum rear clearance for the hood to open is 2"
- ✓ If you have a wall/partition behind the grill, the minimum rear clearance to that wall should be at least 7" to allow for ventilation of the exhaust

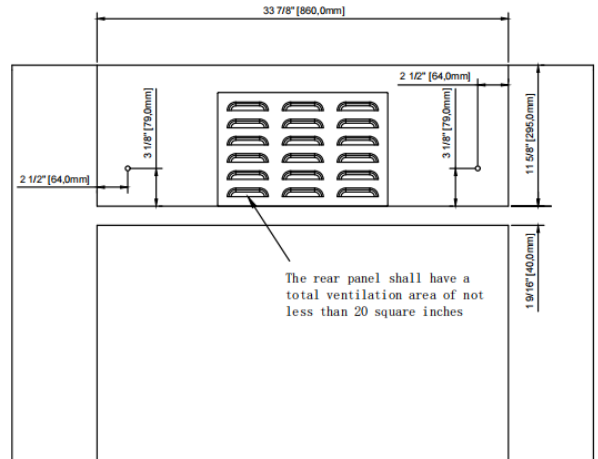
NON-COMBUSTIBLE CONSTRUCTION Insulated Jacket Required-Model #IJBG3226

TOP VIEW



33 7/8"
OPENING WIDTH

FRONT VIEW

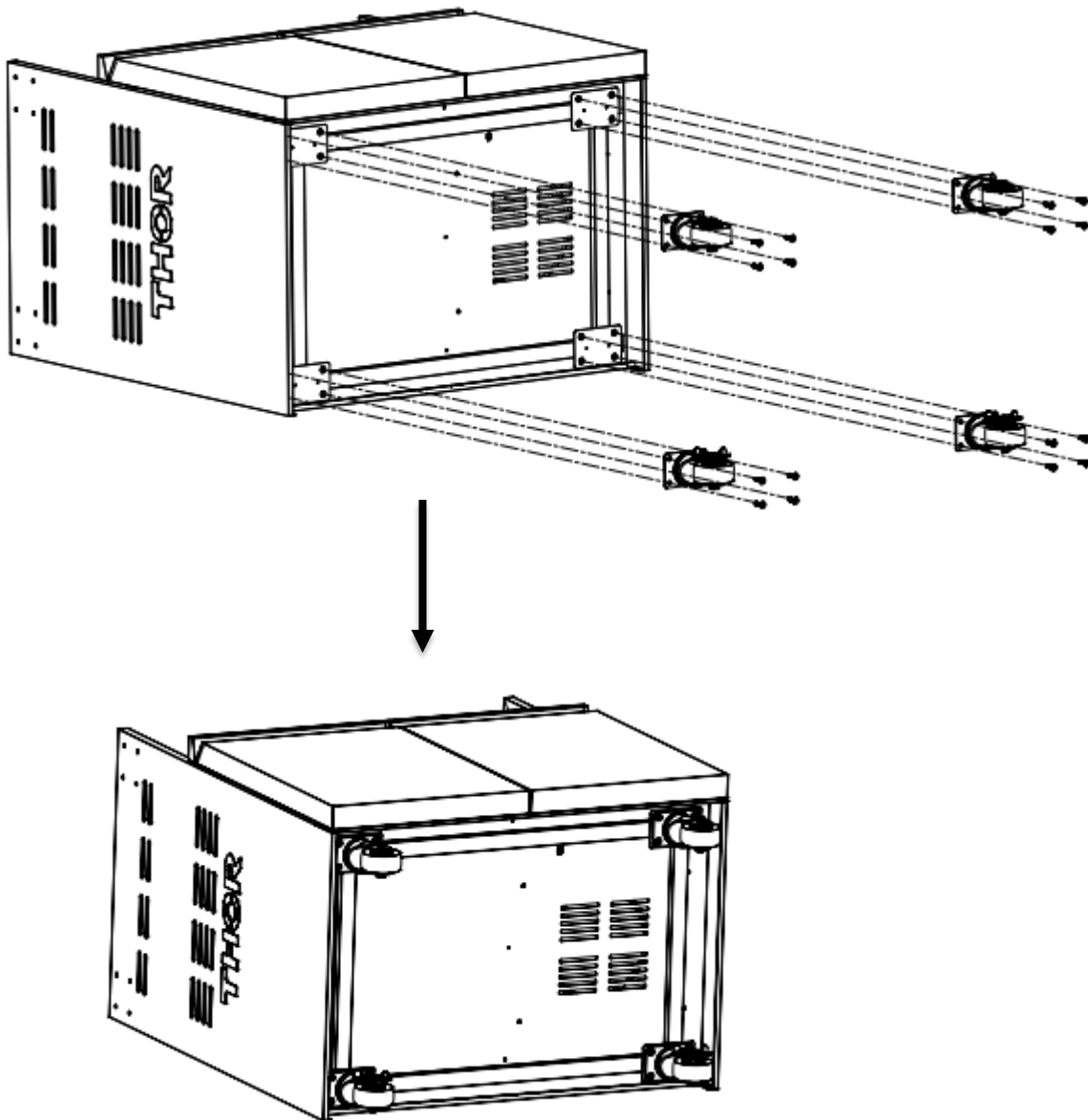


- ✓ If using combustible material within 24" of the grill frame, you MUST use the corresponding Coyote Insulated Jacket
- ✓ Using an insulated jacket, does not waive any other standard installation procedure (ventilation, connections, etc)
- ✓ The jacket is designed to hang from the counter top with no support underneath
- ✓ Minimum clearance for hood to open is 2"
- ✓ If you have a wall/partition behind the grill, the minimum rear clearance to that wall should be at least 7" to allow for ventilation of the exhaust

Attaching the grill on the cart

1. Installing the cart wheels.

As shown in the diagram, lay the cart body down. Install two swivel casters without brakes at the front, and two swivel casters with brakes at the rear. Secure the casters to the bottom panel of the cart body using sixteen 1/4" screws.



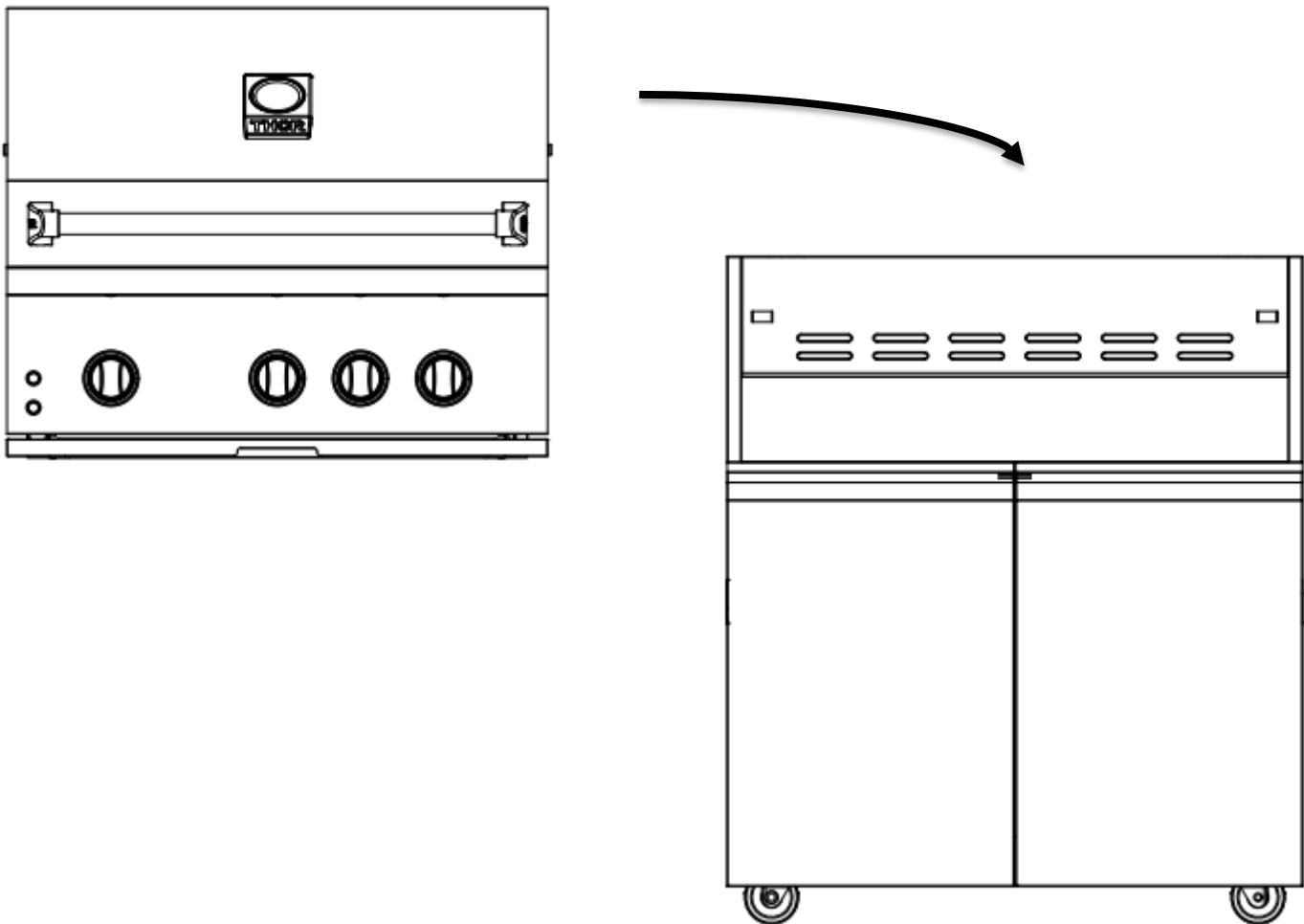
FREESTANDING INSTALL GUIDE

Attaching the grill on the cart

2. Installing the grill on the cart

Once the grill has been mounted on the cart, the back of the landing ledge should be flush with the front sides of the cart. The 5/8" (1.6 cm) hole on the top front corners of the cart should be aligned with the receiving holes in the grill heat shields. If your grill does not have the receiving holes in the heat shield, you will need to drill them out with a 9/64" (.14 cm) drill bit. With the grill and cart mounted together, place the drill bit in the 5/8 hole and center in the 1/4"x3/8" slot. Drill through the heat shield. Take the #10X3/4"(1.9 cm) sheet metal screws (A) supplied with the cart and attach the cart sides to the grill.

After securing the grill to the cart, snap the hole covers (B) supplied with the cart into the 5/8" (1.6 cm) holes in the cart corners.



RBG3201-G(Gas Grill Model) + TG32CT

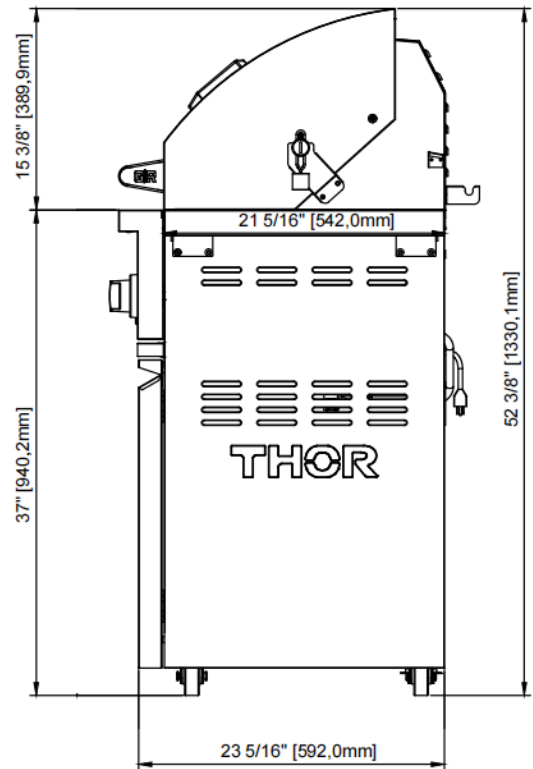
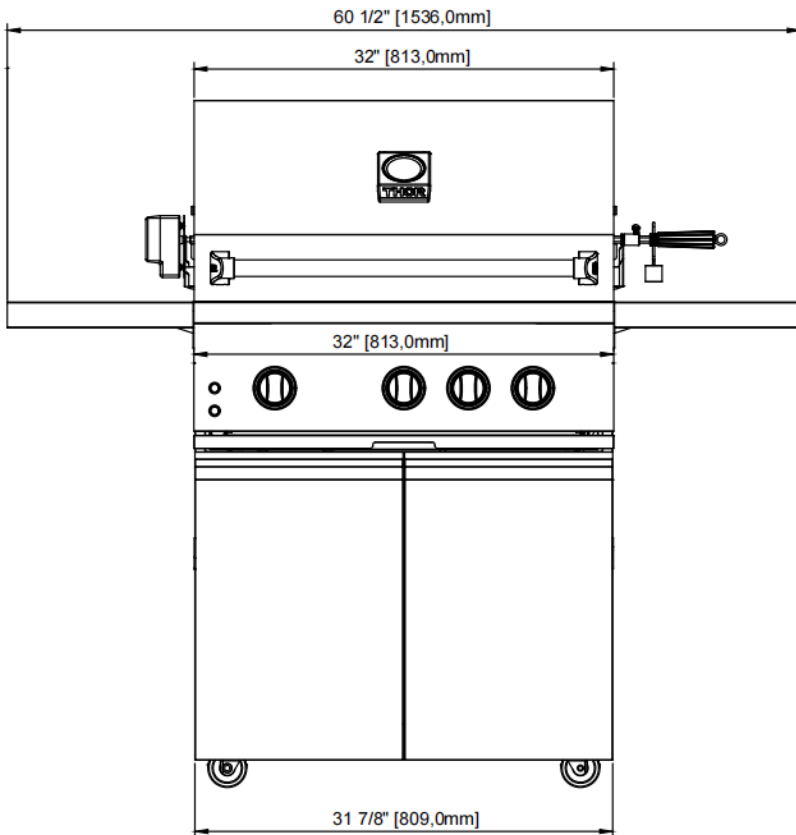
FREESTANDING INSTALL GUIDE

Attaching the grill on the cart

3. Installing the side table.

Please refer to the cart installation manual for this step.

4. Install the Rotisserie Spit and Motor



WARRANTY



Warranty & Service

This product has been manufactured by Thor International, 4651 E Airport Dr, Ontario, CA 91761

For Customer Service, please call (877) 288 - 8099

For the most up to date warranty and service policy, please refer to our website
WWW.THORKITCHEN.COM/WARRANTY-REGISTRATION

For in-warranty service requests, please visit our website at
WWW.THORKITCHEN.COM/SERVICE

Please Note: You must provide proof of purchase or installation date for any in- warranty service requests

We Stand Behind the Quality of Our Appliances.



Reliability and customer satisfaction are our top priorities. We offer a solid two-year warranty on both parts and labor. Enjoy professional-grade performance with the confidence that we've got you covered.

Warranty Registration Made Easy.

01 Scan the QR Code or visit thorkitchen.com/register-your-product.

02 Input your purchase and product information and select register.

03 That's it. You're all set. Enjoy!

Questions: service@thorinternational.com



WARRANTY



PARTS

