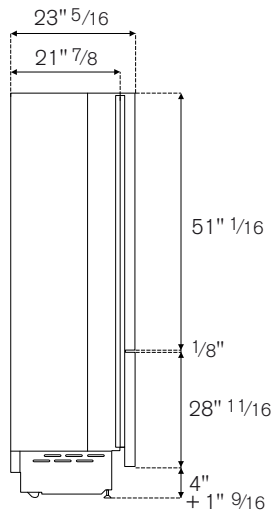
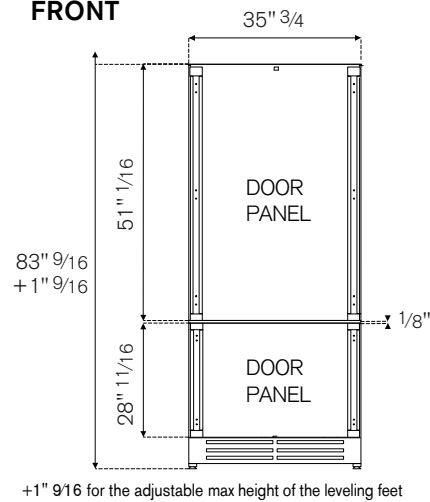
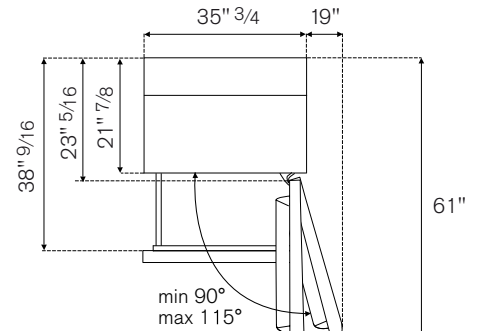
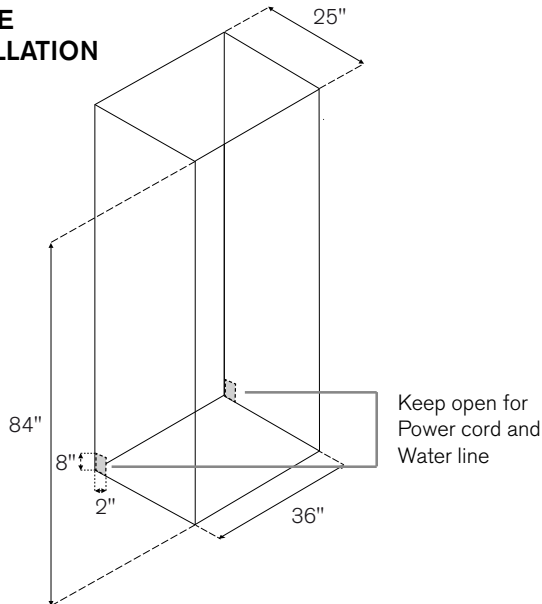
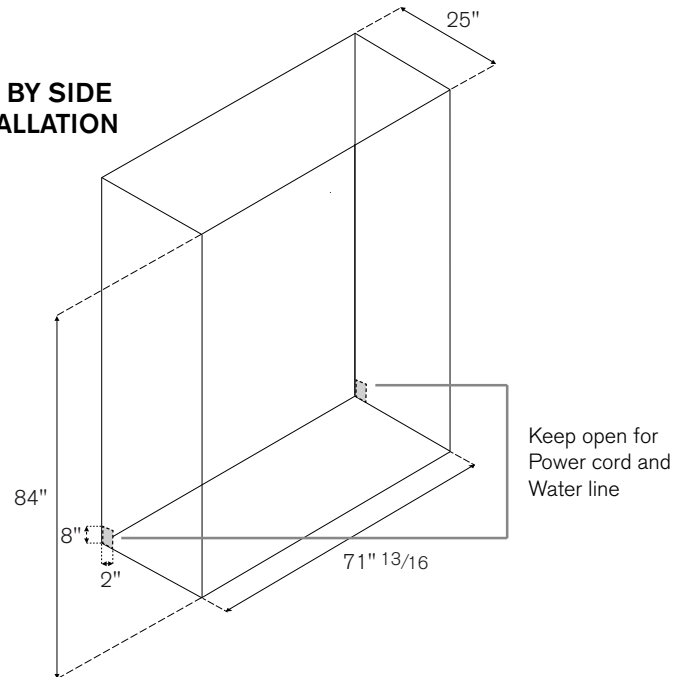
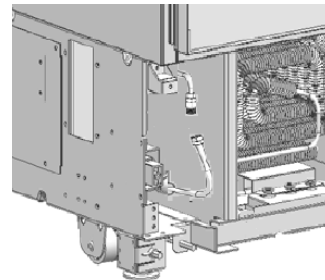
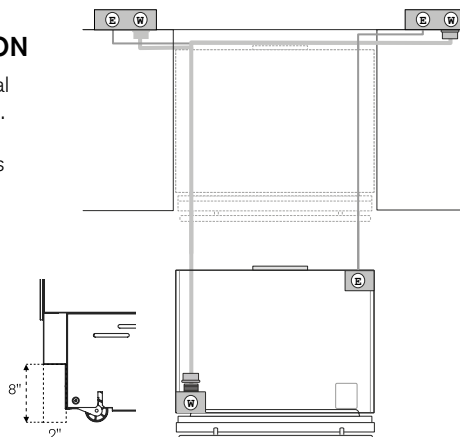


SIDE**FRONT****TOP****CUTOUT DIMENSIONS****SINGLE INSTALLATION****SIDE BY SIDE INSTALLATION****ELECTRICAL & WATER CONNECTION**

A properly-grounded, electrical receptacle should be installed. A separate circuit breaker servicing only this appliance is recommended. Do not use a multi-purpose socket with other electrical appliances.

To connect to the water supply system, use a $\frac{1}{4}$ " waterline with accessible shut-off valve with a length of $60\frac{1}{8}$ ".

**INSTALLATION REQUIREMENTS**

If the appliance(s) is not connected through the side profile trims to secured cabinetry, anti-tip brackets must be installed. The max weight for the cabinet panel is 35 lbs (16kg) for the refrigerator door and 20 lbs (9kg) for the freezer door. For a flush installation, cabinet panels should not be thicker than $15\frac{1}{16}$ ".