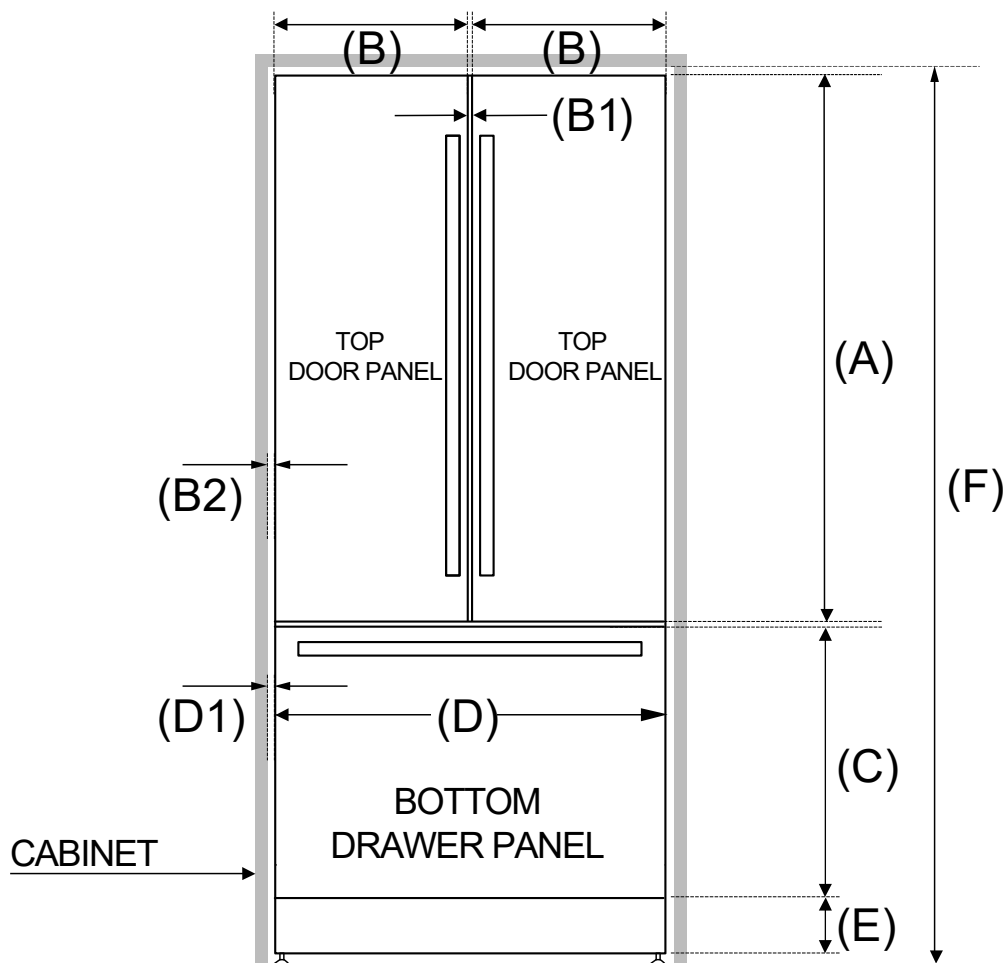


# STAINLESS STEEL DOOR PANELS SPECIFICATIONS

FOR BUILT-IN FRENCH DOOR BOTTOM MOUNT MODEL REF36FDBZPNV

SP36FDX accessory panel to be mounted by installer



NOTE: The refrigerator comes with a 4" (100 mm) stainless steel toe kick installed to fit a standard 84" (2134 mm) tall cabinet niche.

DIMENSIONS - INCHES (MILLIMETERS)		
(A)	Height of top door steel panel (each)	51 1/16" (1297)
(B)	Width of top door steel panel (each)	17 11/16" (449)
(B1)	Gap between top door steel panels	3/16" (4)
(B2)	Gap between top steel panels and cabinet	1/4" (6)
(C)	Height of bottom drawer steel panel	28 11/16" (729)
(D)	Width of bottom drawer steel panel	35 3/4" (908)
(D1)	Gap between bottom steel panel and cabinet	1/8" (3)
(E)	Toe kick height	min 3 3/4" (96) - max 5 3/8" (136)
(F)	Cabinet height	min 83 13/16" (2129) - max 85 3/8" (2169)
(G)	Cabinet width	36" (914)
Thickness of stainless steel panels		3/4" (19)

WEIGHT - POUNDS (KILOGRAMS)	
Weight of each stainless steel top door panel	44 lbs (20 kg)
Weight of stainless steel bottom drawer panel	20 lbs (9 kg)

**Disclaimer:** while every effort has been made to insure the accuracy of the information contained in this document, Fratelli Bertazzoni reserves the right to change any part of the information at any time without notice. For detailed installation specifications consult the installation manual. Fratelli Bertazzoni, Bertazzoni and the winged wheel brand icon are registered trademarks of Bertazzoni Spa.