

84" HIGH INTEGRATED REFRIGERATION

PLANNING GUIDE

SERIES 11 | INTEGRATED FRENCH DOOR RS3684AUVE1

INTRODUCTION

This comprehensive planning guide provides you with the framework and tools to achieve your desired design outcome with Fisher & Paykel appliances. In this guide, you will find a range of conceptual, detailed, and dimensional product information to bring your ideas to life and create spaces that truly reflect your vision.

SUPPORT

For additional design planning and installation support please contact the Fisher & Paykel design support team.
designsupport@fisherpaykel.com

NOTES

The models shown in this Planning Guide may not be available in all markets and are subject to change at any time. Refer to our website fisherpaykel.com for the latest document version. Product specifications may vary from those shown. This Planning Guide should not be used as installation guidance for any product. Specific installation guidance will be available with the product on delivery and on our website.

CONTENTS

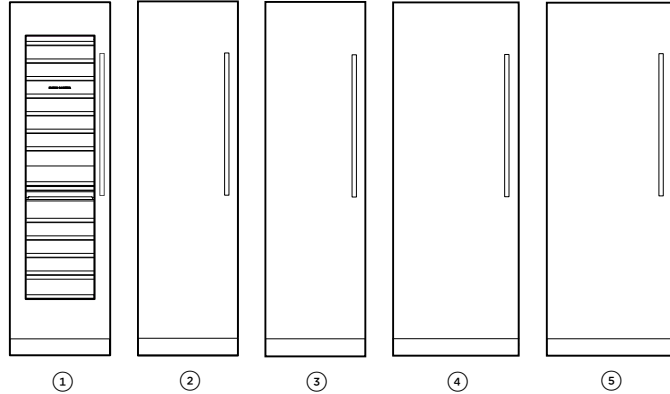
CONCEPT DESIGN	PAGE
DESIGN CHOICE	
84" Integrated refrigeration	4
SPECIFICATION GUIDE	
French door refrigerator freezer	6
Product and cavity dimensions	7

DEVELOPED AND DETAILED DESIGN	PAGE
DOOR SWING	
Door swing clearances	9

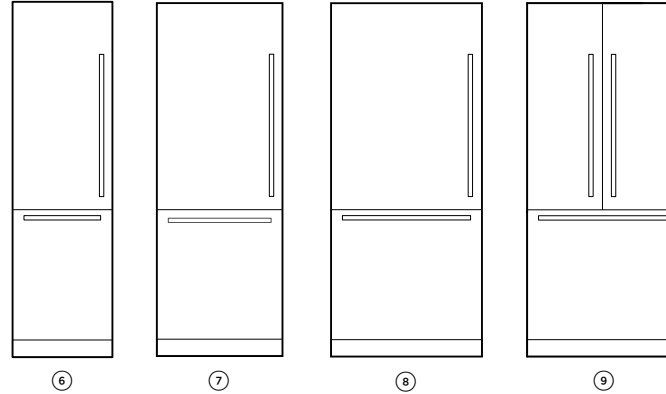
DEVELOPED AND DETAILED DESIGN	PAGE
-------------------------------	------

DESIGN CHOICE

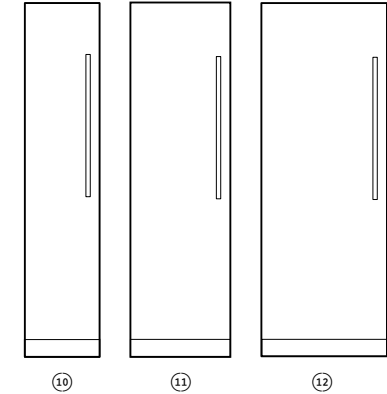
REFRIGERATION



REFRIGERATOR FREEZER



FREEZER



PRODUCT	MODEL	PRODUCT	MODEL	PRODUCT	MODEL
① 24" Wine Cabinet 91 bottle capacity, optional display capability. Two independent temperature zones, four wine modes.	RS2484VL2K1, RS2484VR2K1	⑥ 24" Integrated Refrigerator-Freezer Custom panel ready, 12.1cu capacity, internal ice maker and water dispenser.	RS2484WRUE1, RS2484WLUE1 RS2484WRUK1, RS2484WLUK1	⑩ 18" Freezer with Ice Custom panel ready, 7.8cu, and internal ice maker. zones, four wine modes.	RS1884FRJE1, RS1884FLJE1 RS1884FLJK1
② 24" Integrated Refrigerator Custom panel ready, with 12.4cu capacity	RS2484SRK1	⑦ 30" Integrated Refrigerator-Freezer Custom panel ready, 15.9cu capacity, internal ice maker and water dispenser.	RS3084WRUE1, RS3084WLUE1 RS3084WRUK1, RS3084WLUK1	⑪ 24" Integrated Freezer with ice Custom panel ready, 11.9cu capacity and internal ice maker and water dispenser.	RS2484FRJE1, RS2484FLJE1 RS2484FLJK1
③ 24" Integrated Refrigerator Custom panel ready, 12.4cu capacity with internal water dispenser.	RS2484SRHE1, RS2484SLHE1 RS2484SRHK1	⑧ 36" Integrated Refrigerator-Freezer Custom panel ready, 19.2cu capacity, internal ice maker and water dispenser.	RS3684WRUE1, RS3684WLUVE1	⑫ 30" Integrated Refrigerator Custom panel ready, 15.6cu capacity with internal water dispenser.	RS3084FRJE1, RS3084FLJE1 RS3084FLJK1
④ 30" Integrated Refrigerator Custom panel ready, with 16.3cu capacity	RS3084SRK1	⑨ 36" Integrated Refrigerator-Freezer, French Door Custom panel ready, 19.2cu capacity, internal ice maker and water dispenser.	RS3684AUVE1		
⑤ 30" Integrated Refrigerator with water Custom panel ready, 16.3cu capacity with internal water dispenser.	RS3084SRHE1, RS3084SLHE1 RS3084SRHK1				

The models shown in this Planning Guide may not be available in all markets and are subject to change at any time. Product specifications may vary from those shown. This Planning Guide should not be used as installation guidance for any product. Further information is required to safely and correctly install the products featured here. Specific installation guidance will be available with the product on delivery and on our website fisherpaykel.com

SPECIFICATION GUIDE



OVERVIEW

Experience the pinnacle of refrigeration design with our most advanced model. Featuring an elegant interior, this refrigerator embodies premium functionality and style.

Designed to optimise energy efficiency, it comes complete with an ice maker and internal water dispenser.

PRODUCT OVERVIEW

RS3684AUVE1

Integrated French Door Refrigerator Freezer, 91cm, Ice & Water

ACCESSORIES

Handles

- 1 Contemporary Silver AHD7RD3684AX
- 2 Minimal Black AHM1RD3684AB
- 3 Professional Round AHP3RD3684A
- 4 Professional Round Copper 3RD3684ADC
- 5 Professional Round Brass AHP3RD3684ABA

Door panels

- 6 Stainless Steel Door Panels RD3684AD

FEATURES

- 1 Space-saving French Door design, ideal for island or galley style kitchens
- 2 Designed for optimal energy performance and maximum efficiency
- 3 Enjoy convenient access to fresh, chilled water and ice with the internal water dispenser and ice maker
- 4 Seamless fit with only 1/8" gaps, featuring no visible hinges or grilles
- 5 Customize with kitchen cabinetry or a stainless steel door panel accessory
- 6 Variable Temperature Drawer with Chill, Fridge, and Pantry modes for optimal food care
- 7 Intuitive, easy-to-use touchscreen interface with Wi-Fi compatibility
- 8 The premium design and finish include a steel interior lining, full-extension metal shelf runners for easy access, robust glass shelving, and drawers with quality hinges designed for daily use
- 10 ActiveSmart™ technology maintains ideal temperature for fresher food

The models shown in this Planning Guide may not be available in all markets and are subject to change at any time. Product specifications may vary from those shown. This Planning Guide should not be used as installation guidance for any product. Further information is required to safely and correctly install the products featured here. Specific installation guidance will be available on our website fisherpaykel.com

SPECIFICATIONS

Model Number

RS3684AUVE1 French door integrated refrigeration

Electrical

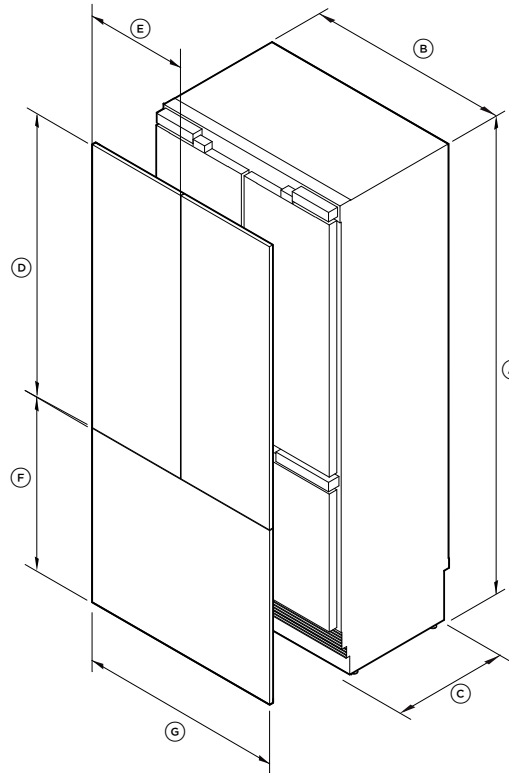
Supply 115V, 60Hz
 Service 10 A circuit

Plumbing

Supply US/CA 7/16" comp. stainless steel braided with hose adapter
 Pressure min 150 kPa (22 psi)
 max 827 kPa (120 psi) @ 20°C (68°F)

Weight 533.5 lbs (242kg)

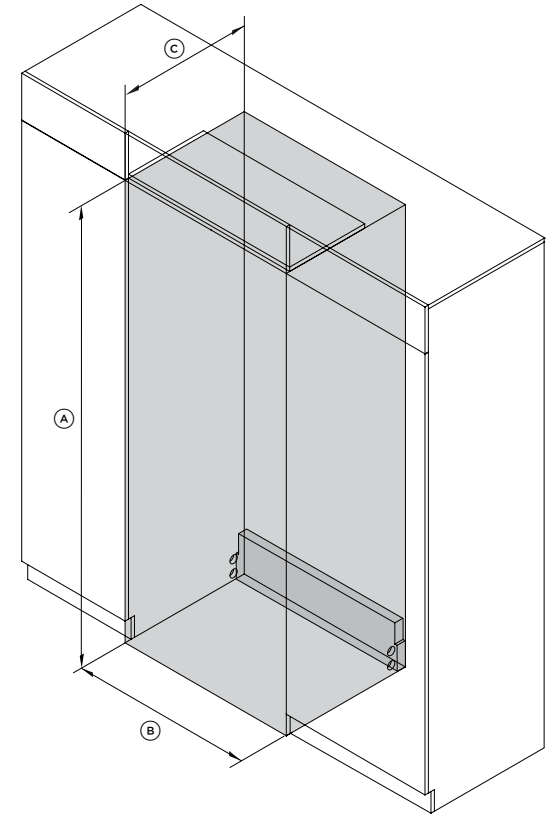
PRODUCT DIMENSIONS



Product Dimensions		in	mm
A	Chassis height	84	2134
B	Chassis width	35 3/4	908
C	Chassis depth*	24	610
D	Door panel height	49 3/8	1254
E	Door panel width (single install)	17 13/16	452
F	Drawer panel height	30 3/8	771
G	Drawer panel width	35 3/4	908

*Excludes panels.

CAVITY DIMENSIONS



Cavity Dimensions		in	mm
A	Cavity height	84	2134
B	Cavity width	36	914
C	Cavity depth		
	Services located outside of cavity	25	635
	Services located at rear of cavity	25 5/8	650
	Minimum cabinetry gap clearance from edge of door panels	1/8	3

The models shown in this Planning Guide may not be available in all markets and are subject to change at any time. Product specifications may vary from those shown. This Planning Guide should not be used as installation guidance for any product. Further information is required to safely and correctly install the products featured here. Specific installation guidance will be available with the product on delivery and on our website fisherpaykel.com

DOOR SWING

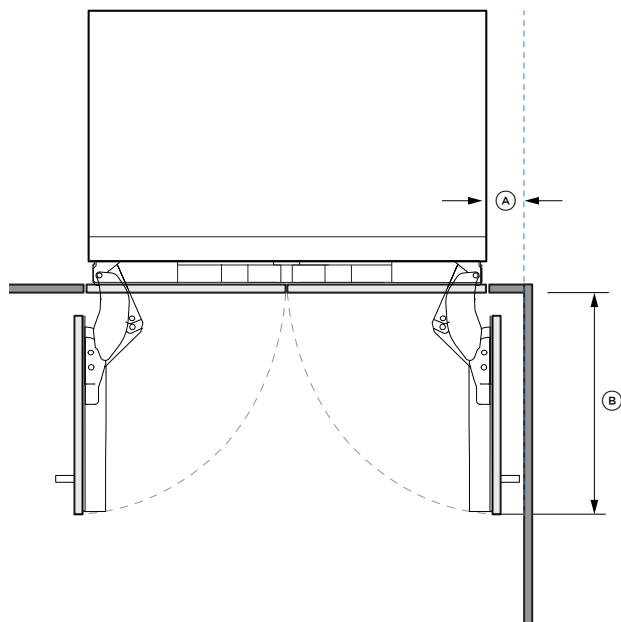
DOOR CLEARANCES

90° Opening Door clearances

	in	mm
Ⓐ Minimum door clearance to adjacent wall	4 5/16	110
Ⓑ Maximum door opening depth	22 5/7	575

115° Opening Door clearances

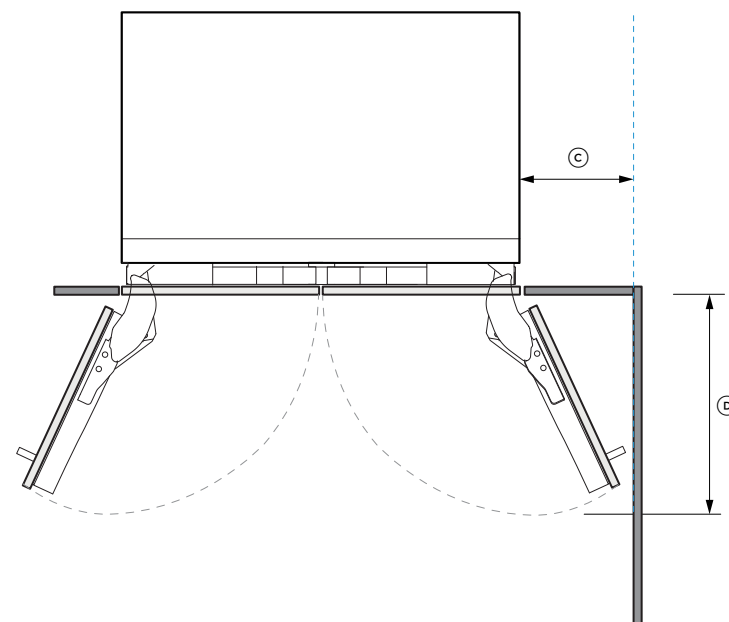
Ⓒ Minimum door clearance to adjacent wall	12 3/8	315
Ⓓ Maximum door opening depth	22 5/7	575



90° INTERNAL ACCESS

A hinge limiting pin can be installed to restrict door opening to 90° where necessary.

Minimum dimensions shown are for a 1 5/8" handle depth. Custom door panel and handle details need to be taken into account.



115° INTERNAL ACCESS

115° door opening - full internal access.

Minimum dimensions shown are for a 1 5/8" handle depth. Custom door panel and handle details need to be taken into account.

The models shown in this Planning Guide may not be available in all markets and are subject to change at any time. Product specifications may vary from those shown. This Planning Guide should not be used as installation guidance for any product. Further information is required to safely and correctly install the products featured here. Specific installation guidance will be available with the product on delivery and on our website fisherpaykel.com

