

# RS600FW3

60 cm, WINE CELLAR, OFW Model

BUILT-IN

DESIGNER® SERIE

*Fhiaba*



## FEATURES

- Made in Italy
- OptiView™: OptiView LED lights
- ProVent™: Uniform air circulation maintains consistent temperatures throughout the appliance resulting in better food preservation
- Humidity Control: Choose between high, medium and low humidity – particularly important for wine storage
- Total No Frost: Temperature control helping mitigate cooling loss when opening the refrigerator door. No more frost build-up that requires defrosting
- EquiLance™: Achieve a seamless built-in look with Fhiaba's innovative door hinge

## GENERAL PROPERTIES

|   |           |
|---|-----------|
| Equilance Hinge                         | YES       |
| Soft-Closing Glides                     | NO        |
| Low Vibration                           | YES       |
| OptiView (Led Light Spots)              | YES       |
| Shelves                                 | 13        |
| Type Of Shelves                         | WOOD      |
| Door Bins                               | /         |
| Fridge Interior Drawers                 | /         |
| Freezer Drawers                         | /         |
| Evenlift Shelves                        | NO        |
| Full Extension Shelves 90° Door Opening | YES       |
| Full Extension Drawers 90° Door Opening | NO        |
| Defrost Process                         | AUTOMATIC |
| Ice Maker With Water Filter             | NO        |
| Door Open Alarms                        | YES       |
| Shopping Fridge                         | NO        |
| Shopping Freezer                        | NO        |
| Power Failure Alert                     | YES       |
| Water Dispenser With Water Filter       | NO        |

# RS600FW3

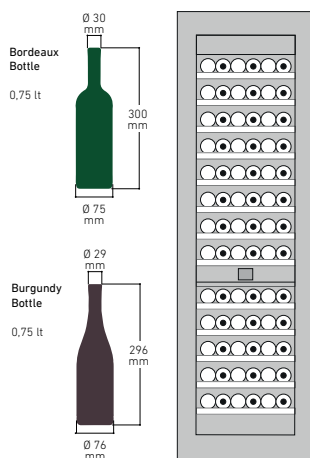
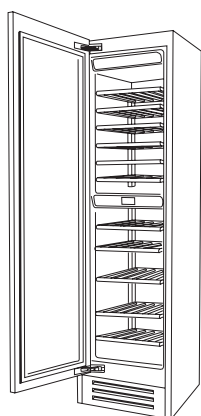
60 cm, WINE CELLAR, OFW Model

BUILT-IN

DESIGNER® SERIE

## PRODUCT DETAIL

**Fhiaba**



**1D | 2M**

wine cellar

**D** = door

**M** = separate microclimates

| CAPACITY  |                               | DIMENSIONS & WEIGHT                       |                            |
|---|-------------------------------|---|----------------------------|
| Volume Compartment 1 (L)                              | 352                           | Height of the product (closed weels) (mm) | 2120                       |
| Volume Compartment 2 (L)                              | /                             | Adjustable feet height (mm)               | 25                         |
| Volume Compartment 3 (L)                              | /                             | Width of the product (mm)                 | 608                        |
| Total Net Volume (L)                                  | 352                           | Depth of Product without handle (mm)      | 620                        |
| Total Gross Volume (L)                                | 364                           | Wall cavity height (mm)                   | 2134                       |
| Compartment 1 / Upper wine cellar capacity (bottles)  | 48                            | Wall cavity width (mm)                    | 610                        |
| Compartment 2 / Lower wine cellar capacity (bottles)  | 30                            | Wall cavity depth (mm)                    | 630                        |
| Compartment 3 / Bottom wine cellar capacity (bottles) |                               | Net Weight (kg)                           | 152                        |
|   |                               | Gross Weight (kg)                         | 172                        |
| TECHNICAL DETAILS                                     |                               | TEMPERATURE RANGES                        |                            |
| Total absorbed current (A)                            | 1.5                           | Climatic compartments                     | 2                          |
| Voltage (V)   | 220-240V                      | Compartment 1 / Upper temperature (°C)    | from 4 to 18               |
| Frequency (Hz)  | 50/60 Hz                      | Compartment 2 / Middle temperature (°C)   |                            |
| Power Cord Length (mm)                                | 2                             | Low temp zone                             | NO                         |
| Plug Type   | Tipo F (Schuko) 16A IEC13 10A | Compartment 3 / Low temperature (°C)      | from 4 to 18               |
| Climatic class  | SN/T                          | Dual zone                                 | NO                         |
| Noise level (dB)                                      | 41                            | ACCESSORIES                               |                            |
| Refrigerant (gas)                                     | R600a                         | • Stainless steel sides panels            | • Wine kit                 |
| Water connection / female attachment                  | /                             | • Glass door                              | • Cheese drawer            |
|   |                               | • Joining kit                             | • Set of knives            |
|   |                               | • Stainless steel portal for freestanding | • Prosciutteria kit        |
|   |                               | • Extra length anti-tipping kit           | • Bottle trap              |
|   |                               | • Anti-condensation                       | • Sigar drawer             |
|   |                               | • Cleaning kit                            | • Beverage drawer          |
|   |                               | • Active carbon filter                    | • Beverage shelf           |
|   |                               | • FLD - Fhiaba Link Device                | • Beverage removable shelf |
|   |                               | • Front ventilation kit                   | • Chocolate kit            |
|   |                               | • Painting                                |                            |
|   |                               | • 90° Door stop                           |                            |
| EFFICIENCY  |                               |   |                            |
| New Energy Label class                                | G                             |   |                            |
| Energy consumption (kWh/year)                         | 174                           |   |                            |

# RS600FW3

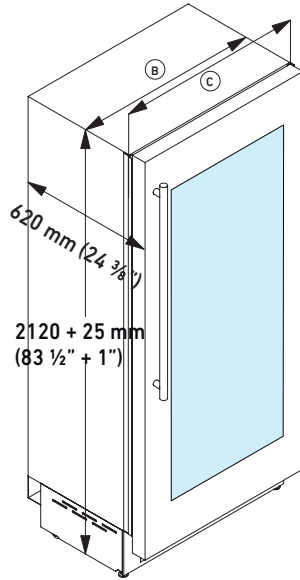
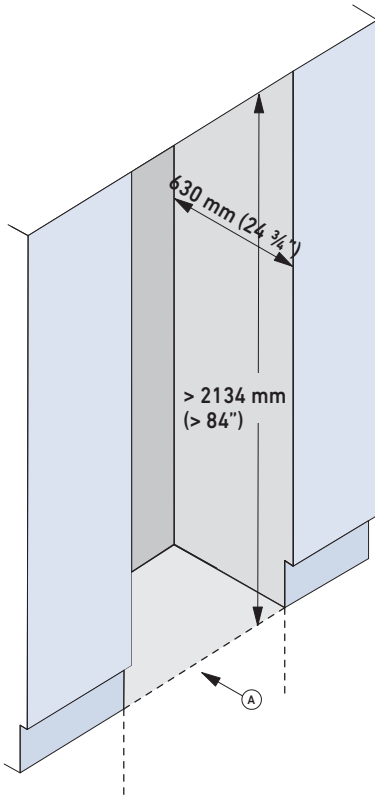
60 cm, WINE CELLAR, OFW Model

BUILT-IN

DESIGNER® SERIE

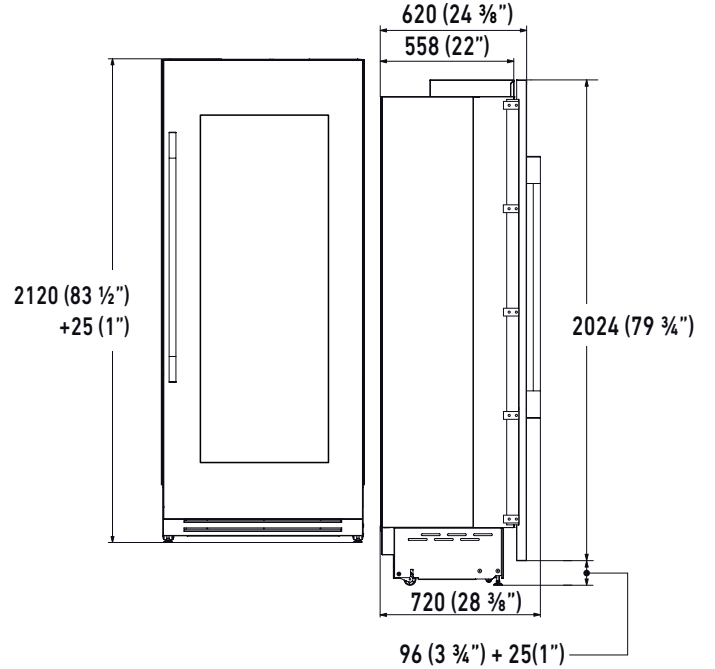
## PRODUCT SPECIFICATIONS AND DIMENSIONS

*Fhiaba*



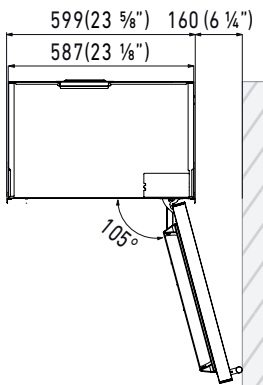
FRONT VIEW

SIDE VIEW

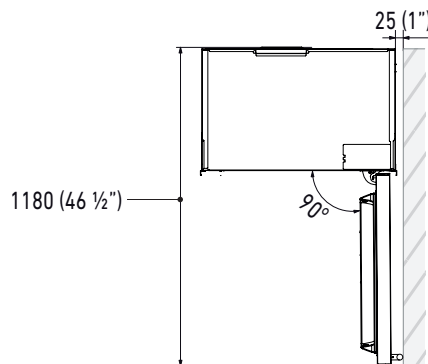


| TECHNICAL DATA                               |     |
|--|-----|
| Niche Width <b>A</b> (mm)                    | 610 |
| Unit Width <b>B</b> (mm)                     | 585 |
| Unit Width with lateral frames <b>C</b> (mm) | 608 |

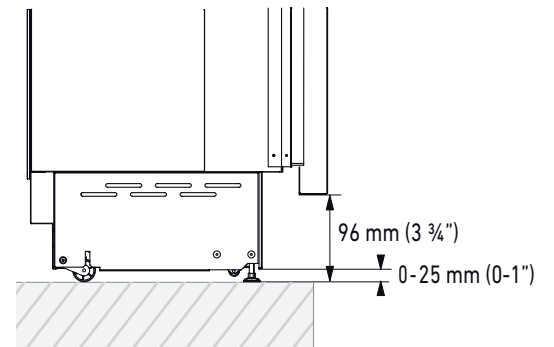
TOP VIEW,  
HINGE 105°



TOP VIEW,  
HINGE 90°



PLINTH SIZE



**i** For installation specifications, please consult with Fhiaba. For optimum installation, we recommend using the actual product as the best guide.

**i** Based on the adjustment of the feet and the height of the panel from the floor, the customer defines the perforated plinth to be installed on the equipment.

# RS600FW3

60 cm, WINE CELLAR, OFW Model

BUILT-IN

DESIGNER® SERIE

## PRODUCT SPECIFICATIONS

*Fhiaba*

### Electrical Connection



Electrical and water connections (if applicable) should be reachable without having to uninstall the appliance. If the connections must be made directly behind the appliance then it is recommended to recess those connections.

**IMPORTANT:** do not put the water shut-off valve behind the appliance where it will be inaccessible.



For installation specifications, please consult with Fhiaba. For optimum installation, we recommend using the actual product as the best guide.



[www.fhiaba.com](http://www.fhiaba.com)