

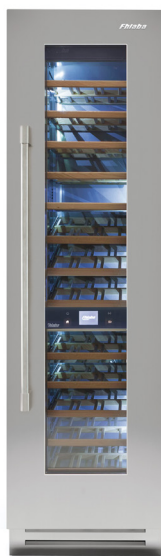
# RS600FW6

60 cm, WINE CELLAR, OFW Model

BUILT-IN

DESIGNER® SERIE

*Fhiaba*



## FEATURES

- Made in Italy
- OptiView™: OptiView LED lights
- ProVent™: Uniform air circulation maintains consistent temperatures throughout the appliance resulting in better food preservation
- Humidity Control: Choose between high, medium and low humidity – particularly important for wine storage
- Total No Frost: Temperature control helping mitigate cooling loss when opening the refrigerator door. No more frost build-up that requires defrosting
- EquiLance™: Achieve a seamless built-in look with Fhiaba's innovative door hinge

## GENERAL PROPERTIES

Equilance Hinge	YES
Soft-Closing Glides	NO
Low Vibration	YES
OptiView (Led Light Spots)	YES
Shelves	13
Type Of Shelves	WOOD
Door Bins	/
Fridge Interior Drawers	/
Freezer Drawers	/
Evenlift Shelves	NO
Full Extension Shelves 90° Door Opening	YES
Full Extension Drawers 90° Door Opening	NO
Defrost Process	AUTOMATIC
Ice Maker With Water Filter	NO
Door Open Alarms	YES
Shopping Fridge	NO
Shopping Freezer	NO
Power Failure Alert	YES
Water Dispenser With Water Filter	NO

# RS600FW6

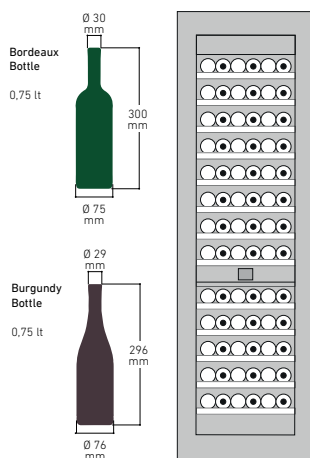
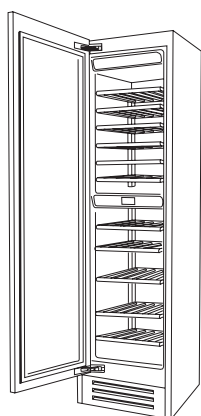
60 cm, WINE CELLAR, OFW Model

BUILT-IN

DESIGNER® SERIE

## PRODUCT DETAIL

**Fhiaba**



**1D | 2M**

wine cellar

**D** = door

**M** = separate microclimates

CAPACITY		DIMENSIONS & WEIGHT	
Volume Compartment 1 (L)	352	Height of the product (closed weels) (mm)	2120
Volume Compartment 2 (L)	/	Adjustable feet height (mm)	25
Volume Compartment 3 (L)	/	Width of the product (mm)	608
Total Net Volume (L)	352	Depth of Product without handle (mm)	620
Total Gross Volume (L)	364	Wall cavity height (mm)	2134
Compartment 1 / Upper wine cellar capacity (bottles)	/	Wall cavity width (mm)	610
Compartment 2 / Lower wine cellar capacity (bottles)	/	Wall cavity depth (mm)	630
Compartment 3 / Bottom wine cellar capacity (bottles)	/	Net Weight (kg)	152
		Gross Weight (kg)	172
TECHNICAL DETAILS		TEMPERATURE RANGES	
Total absorbed current (A)	1.5	Climatic compartments	2
Voltage (V)	220-240V	Compartment 1 / Upper temperature (°C)	from 4 to 18
Frequency (Hz)	50/60 Hz	Compartment 2 / Middle temperature (°C)	
Power Cord Length (mm)	2	Low temp zone	NO
Plug Type	Tipo F (Schuko) 16A IEC13 10A	Compartment 3 / Low temperature (°C)	from 4 to 18
Climatic class	SN/T	Dual zone	NO
Noise level (dB)	41	ACCESSORIES	
Refrigerant (gas)	R600a	• Stainless steel sides panels	• Wine kit
Water connection / female attachment	/	• Glass door	• Cheese drawer
		• Joining kit	• Set of knives
		• Stainless steel portal for freestanding	• Prosciutteria kit
		• Extra length anti-tipping kit	• Bottle trap
		• Anti-condensation	• Sigar drawer
		• Cleaning kit	• Beverage drawer
		• Active carbon filter	• Beverage shelf
		• FLD - Fhiaba Link Device	• Beverage removable shelf
		• Front ventilation kit	• Chocolate kit
		• Painting	
		• 90° Door stop	
EFFICIENCY			
New Energy Label class	G		
Energy consumption (kWh/year)	174		

# RS600FW6

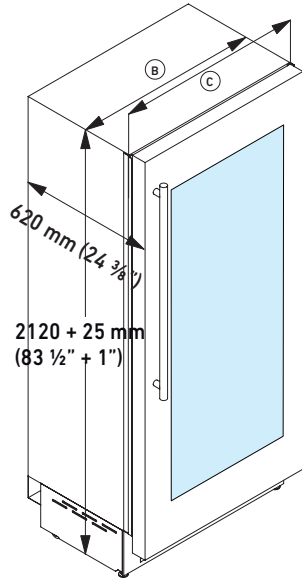
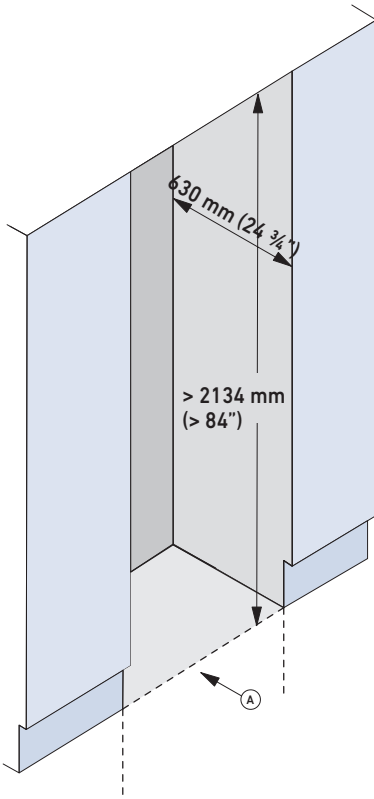
60 cm, WINE CELLAR, OFW Model

BUILT-IN

DESIGNER® SERIE

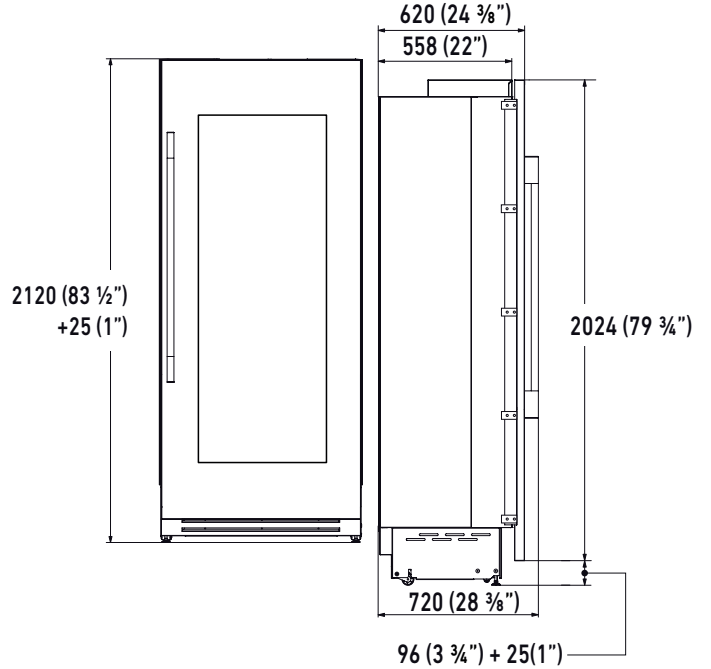
## PRODUCT SPECIFICATIONS AND DIMENSIONS

*Fhiaba*



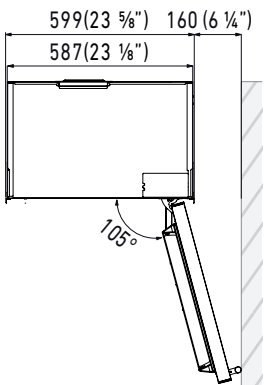
FRONT VIEW

SIDE VIEW

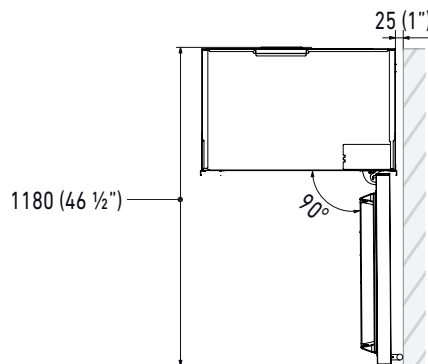


TECHNICAL DATA	
Niche Width <b>A</b> (mm)	610
Unit Width <b>B</b> (mm)	585
Unit Width with lateral frames <b>C</b> (mm)	608

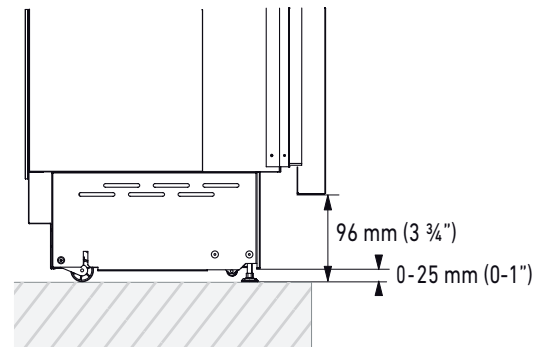
TOP VIEW,  
HINGE 105°



TOP VIEW,  
HINGE 90°



PLINTH SIZE



**i** For installation specifications, please consult with Fhiaba. For optimum installation, we recommend using the actual product as the best guide.

**i** Based on the adjustment of the feet and the height of the panel from the floor, the customer defines the perforated plinth to be installed on the equipment.

# RS600FW6

60 cm, WINE CELLAR, OFW Model

BUILT-IN

DESIGNER® SERIE

## PRODUCT SPECIFICATIONS

*Fhiaba*

### Electrical Connection



Electrical and water connections (if applicable) should be reachable without having to uninstall the appliance. If the connections must be made directly behind the appliance then it is recommended to recess those connections.

**IMPORTANT:** do not put the water shut-off valve behind the appliance where it will be inaccessible.



For installation specifications, please consult with Fhiaba. For optimum installation, we recommend using the actual product as the best guide.



[www.fhiaba.com](http://www.fhiaba.com)