

# RSDU30R



<b>Product family</b>	Refrigerator
<b>Installation</b>	Built-in
<b>Category</b>	Single door
<b>Built-in niche</b>	>200
<b>Reference width</b>	70 - 80
<b>Reference height</b>	Higher than 200
<b>No-frost system</b>	Yes
<b>Cooling type</b>	Total no-frost - Dual-flow cooling system
<b>Defrost</b>	Automatic
<b>Hinge</b>	Door-to-door
<b>Kitchen panel</b>	Not supplied
<b>Hinge position</b>	Right
<b>EAN code</b>	8017709332747



## Aesthetic

<b>Aesthetics</b>	Universal	<b>Drawers profile color</b>	Silver
<b>Material</b>	Metal	<b>Glass shelf profile color</b>	Silver
<b>Logo color</b>	Silver	<b>Display</b>	TFT
<b>Side material</b>	Steel	<b>Display position</b>	Internal
<b>Logo</b>	Silkscreened	<b>Water filter</b>	Yes
<b>Door shelf profile color</b>	Silver		

## Refrigerator compartment features



<b>No. of adjustable shelves</b>	3	<b>Crisper cover</b>	Yes
<b>Number of fruit and vegetables drawers</b>	3	<b>Type of crisper cover</b>	Glass
<b>Type of adjustable shelves</b>	Glass	<b>Refrigerator lighting</b>	Yes
<b>Crisper drawer type</b>	Sliding crisper	<b>Refrigerator lighting</b>	LED

## Refrigerator Inner Door

<b>Number of adjustable door shelves</b>	3	<b>Adjustable door bins with wire support</b>	Yes
--	---	---	-----

## Other Refrigerator features



MultiFlow

Yes

## Other technical features



Display functions

Holiday, Fast-cooling, Temperature alarm, Showroom mode, Sabbath

Door open alarm

Yes

Temperature Alarm

Yes

Temperature setting type

Electronic

No. of compressors

2

Refrigerant gas type

R600a

Compressor type

Inverter

Refrigerant quantity

3.0 oz

## Performance / Energy Label

Annual energy consumption

343 KWh/year

Climatic class

SN, N, ST, T

Total volume

17.45 cu. ft.

## Electrical Connection

Plug

(B) USA 120V

Frequency (Hz)

60 Hz

Current

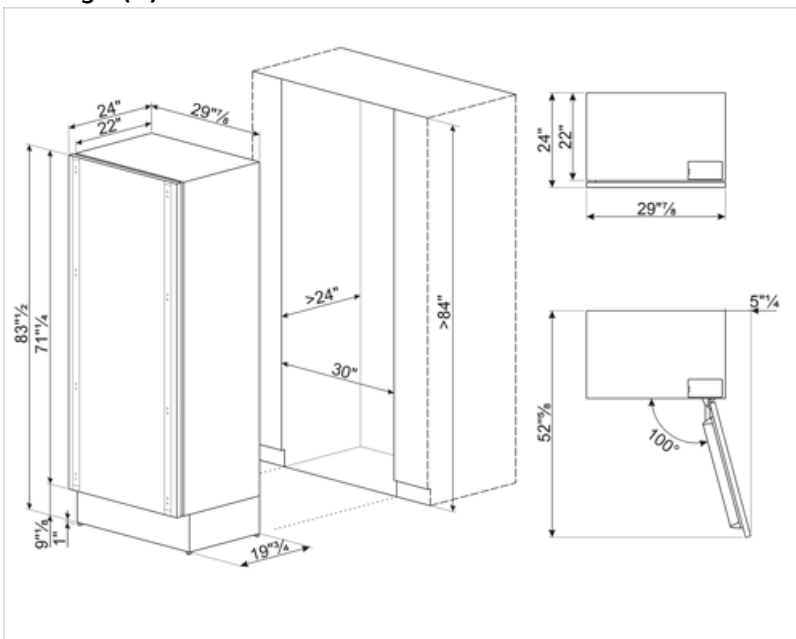
2,5 A

Power cord length

78 3/4 "

Voltage (V)

115 V



---

## Symbols glossary (TT)

---



The automatic defrost system works by automatically defrosting at regular intervals eliminating the need to defrost altogether.



LED interior lighting: is a more energy efficient and long lasting way of illuminating the interior of the appliance.



Air plus: keeps food fresher for longer.



Power saving mode: The power saving mode allows you to disable the refrigerator and keep the freezer working.



Inverter technology: The evolution of Smeg's driers towards more intelligent and environmentally sustainable models has led to the choice of using Inverter technology with heat pumps, which reduces significantly energy consumption.



Sabbath: This function allows you to cook food during the Sabbath, the Holiday of rest in the Jewish religion, respecting the precepts. The oven works