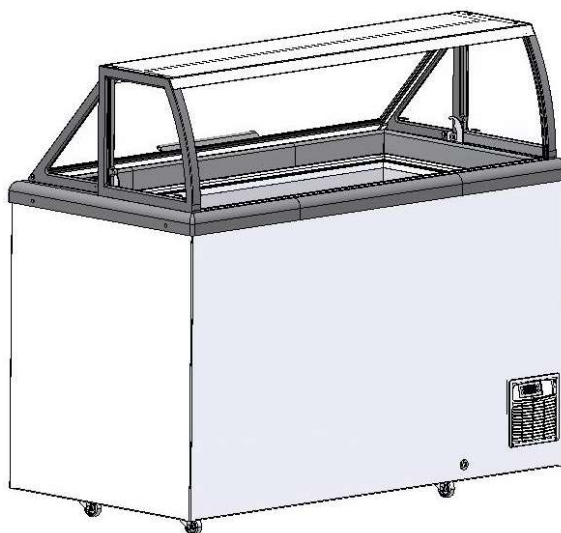


# SCOOPY

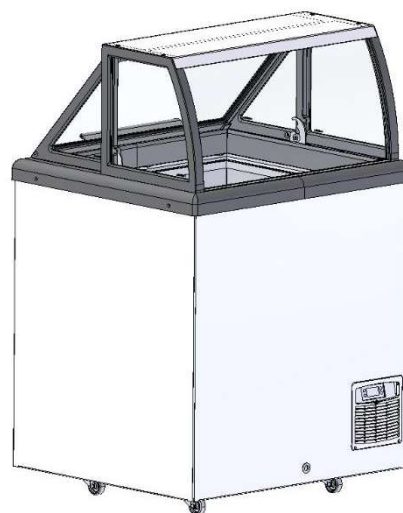


**Model 61, 53**

**Model 45, 35**

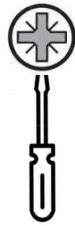
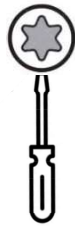


**Model 22**



## Model 61, 53

You will need:



TORX TX30  
MAX MA = 2,5Nm

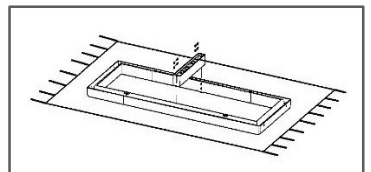
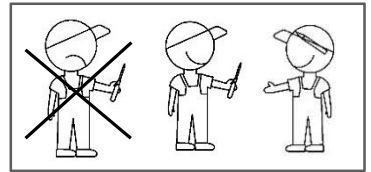
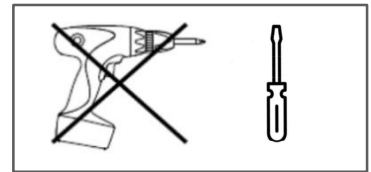
POZIDRIVE 2



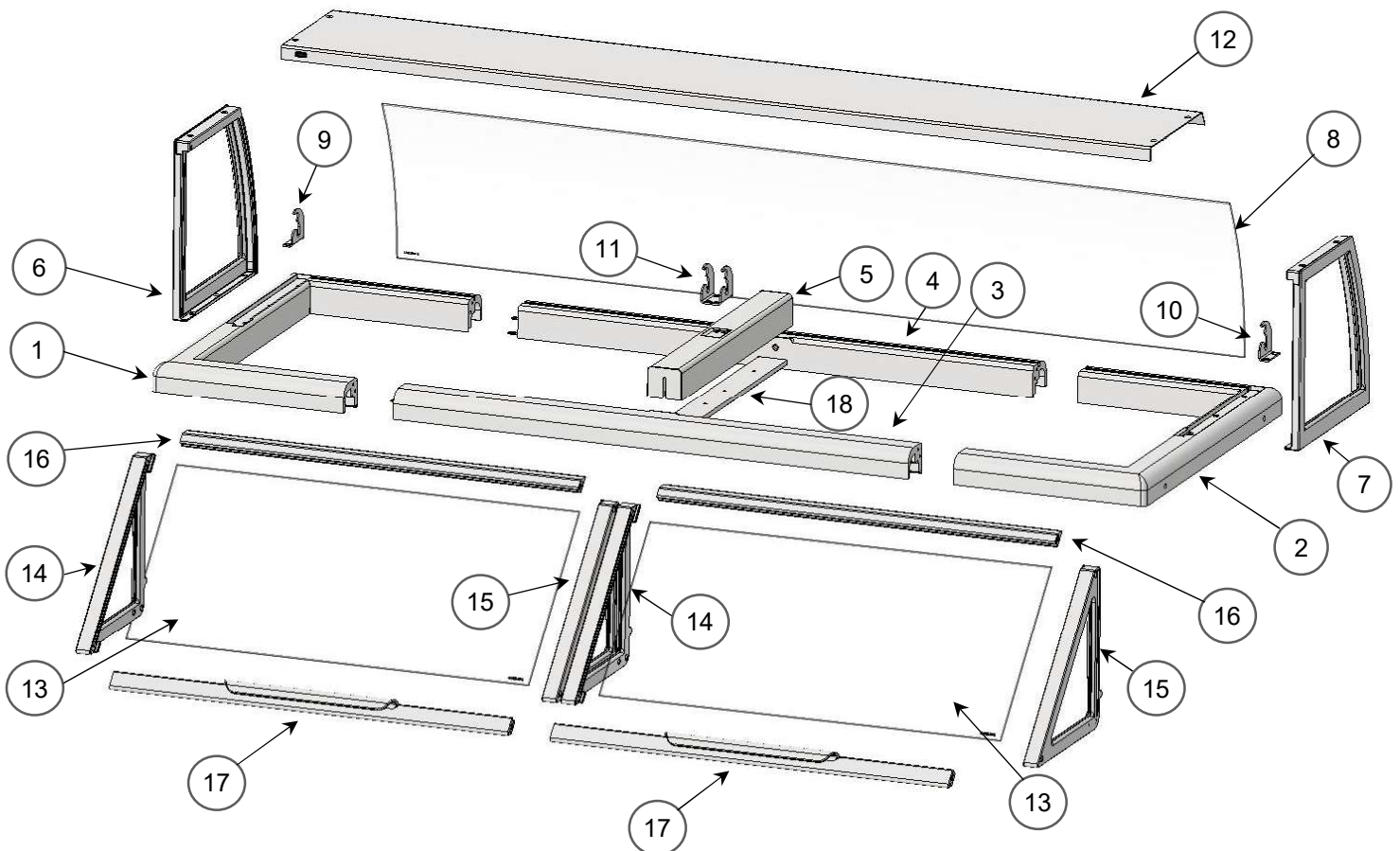
USE SOAP WATER



IMPORTANT !

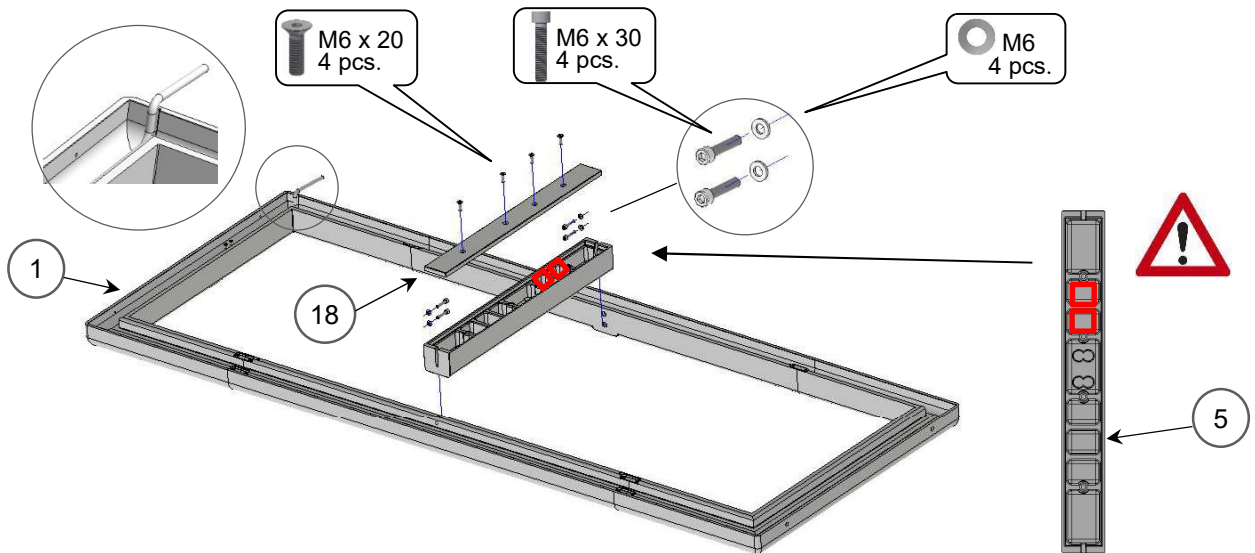
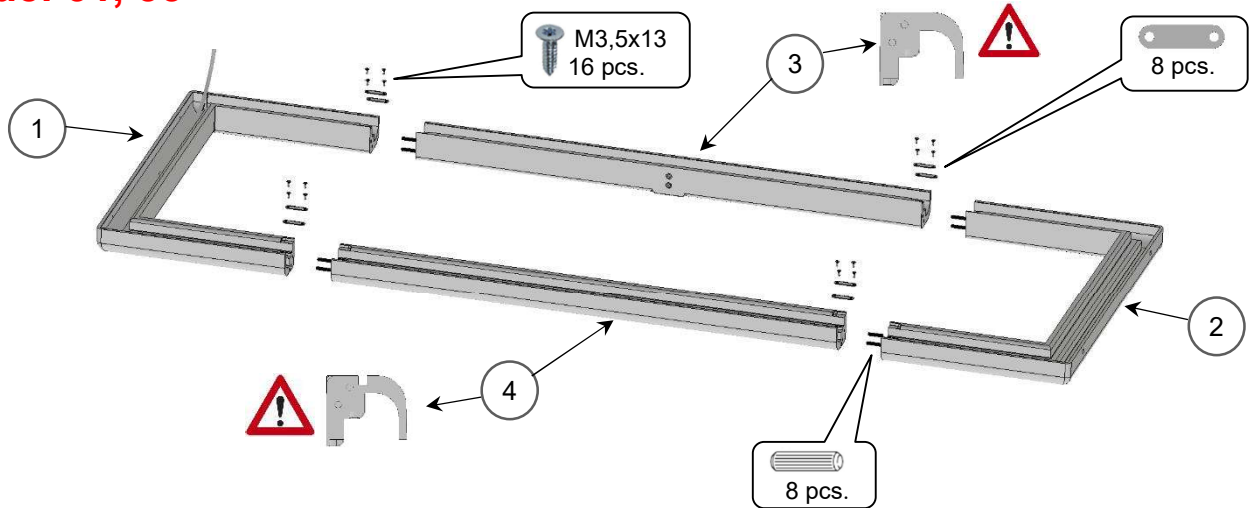


45 x 12 8 pcs.	M6x20 16 pcs.	M6x16 4 pcs.	M6x30 4 pcs.	M6x40 8 pcs.	M3,5x16 4 pcs.	M3,5x13 16 pcs.	M6 4 pcs.

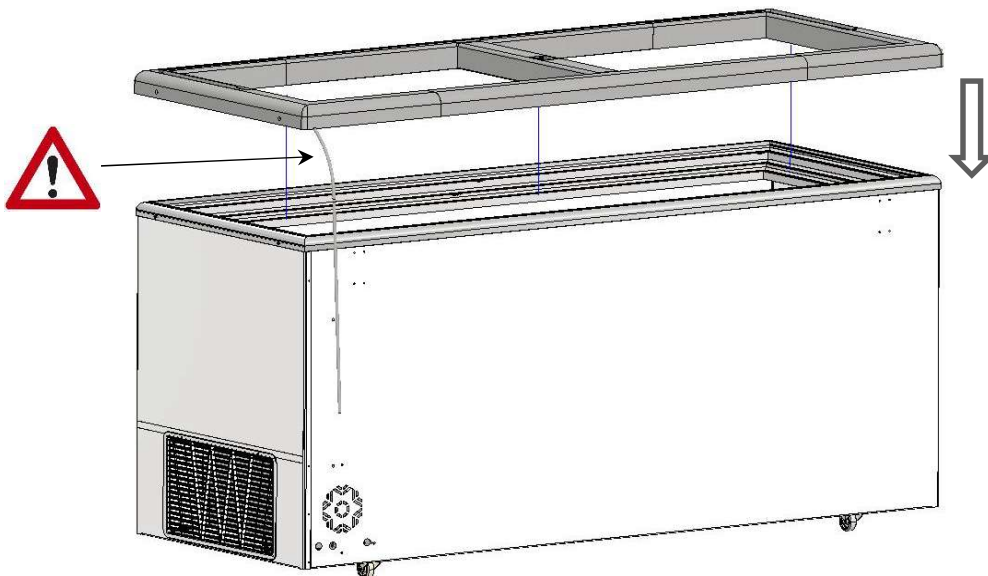


# Model 61, 53

1.

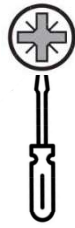


2.



## Model 45, 35

You will need:



TORX TX30  
MAX MA = 2,5Nm

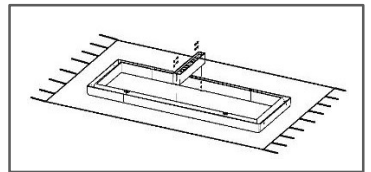
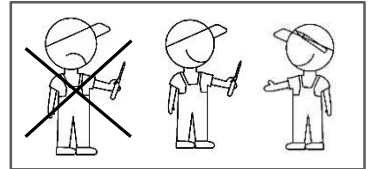
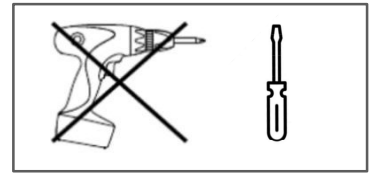
POZIDRIVE 2



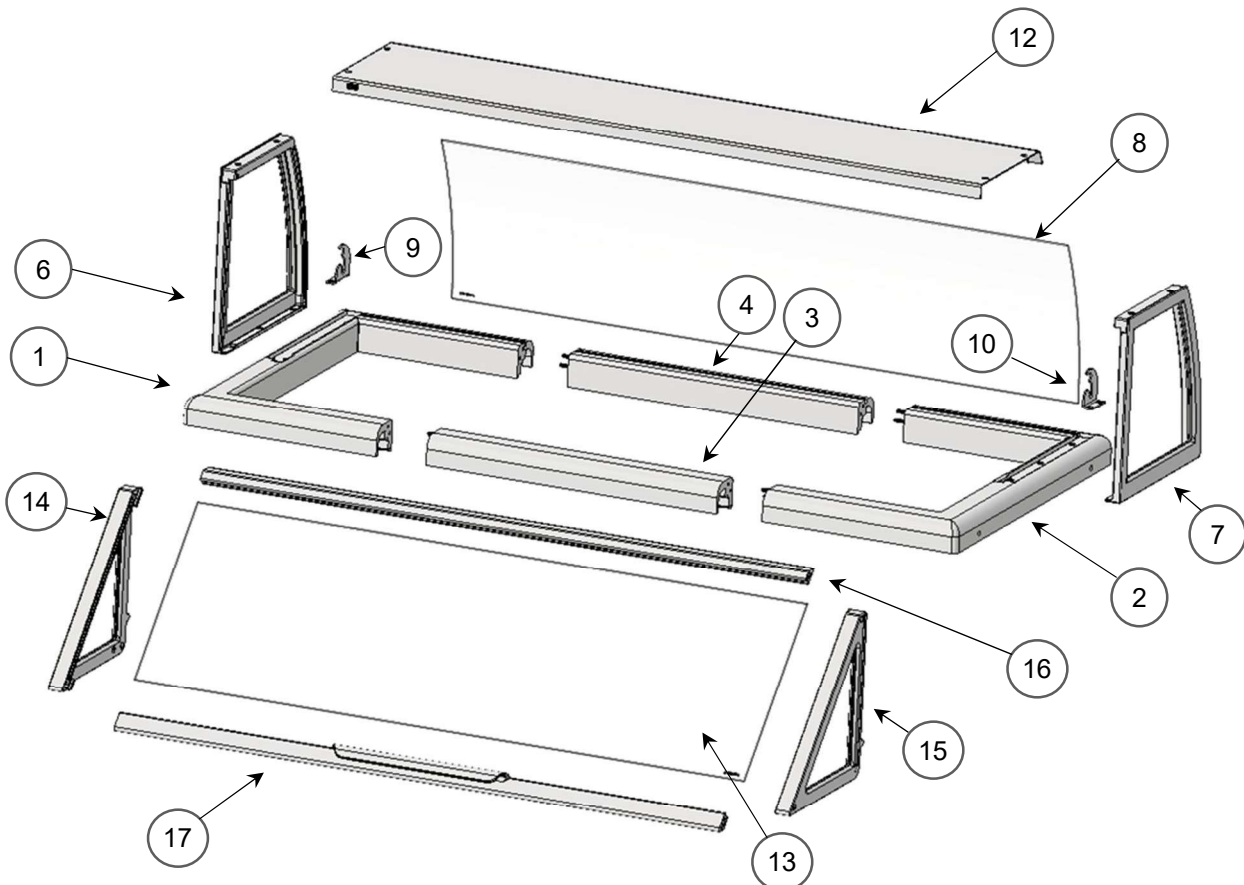
USE SOAP WATER



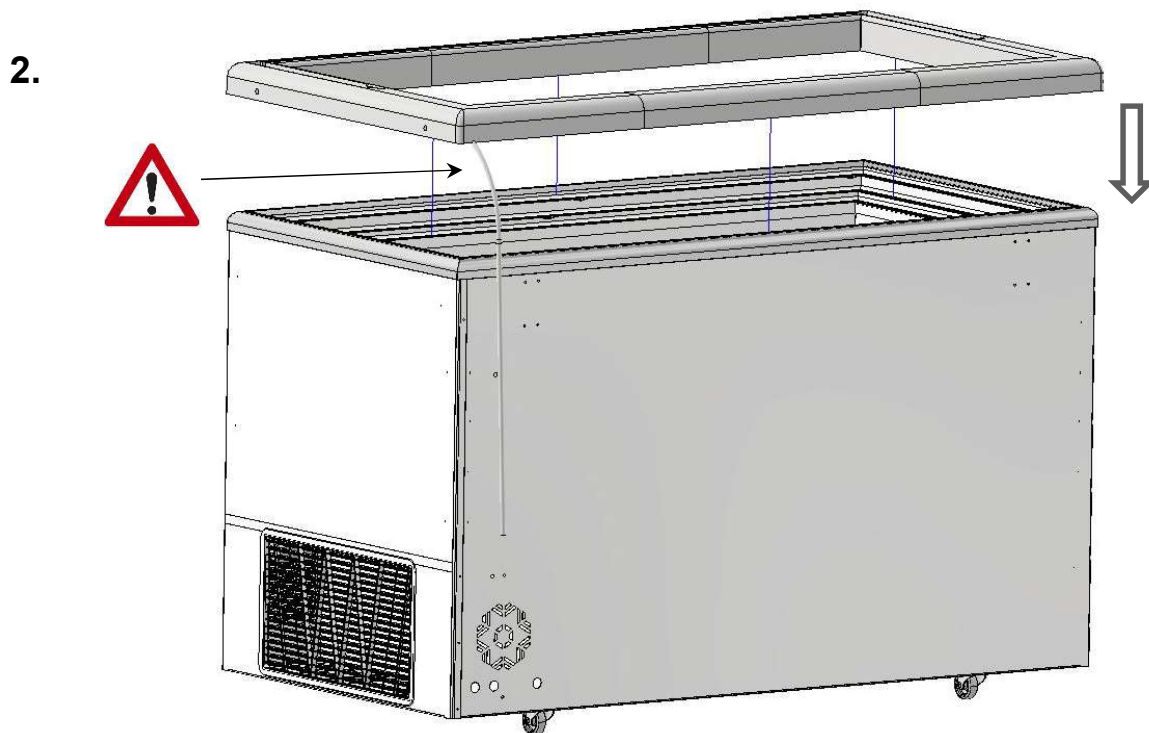
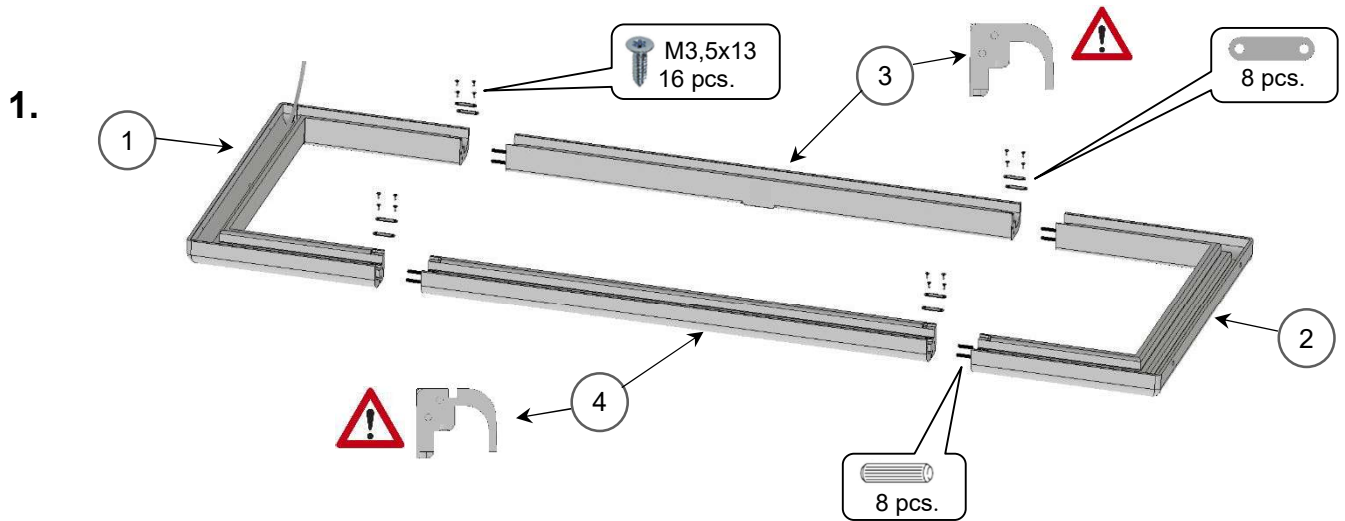
IMPORTANT !



45 x 12 8 pcs.	M6x20 8 pcs.	M6x16 4 pcs.	M6x40 4 pcs.	M3,5x16 4 pcs.	M3,5x13 16 pcs.

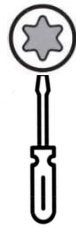


## Model 45, 35

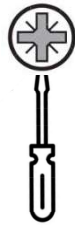


## Model 22

You will need:



TORX TX30  
MAX MA = 2,5Nm



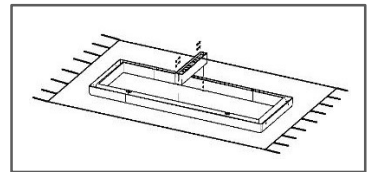
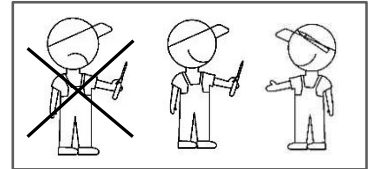
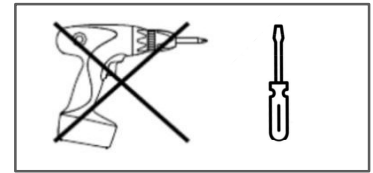
POZIDRIVE 2



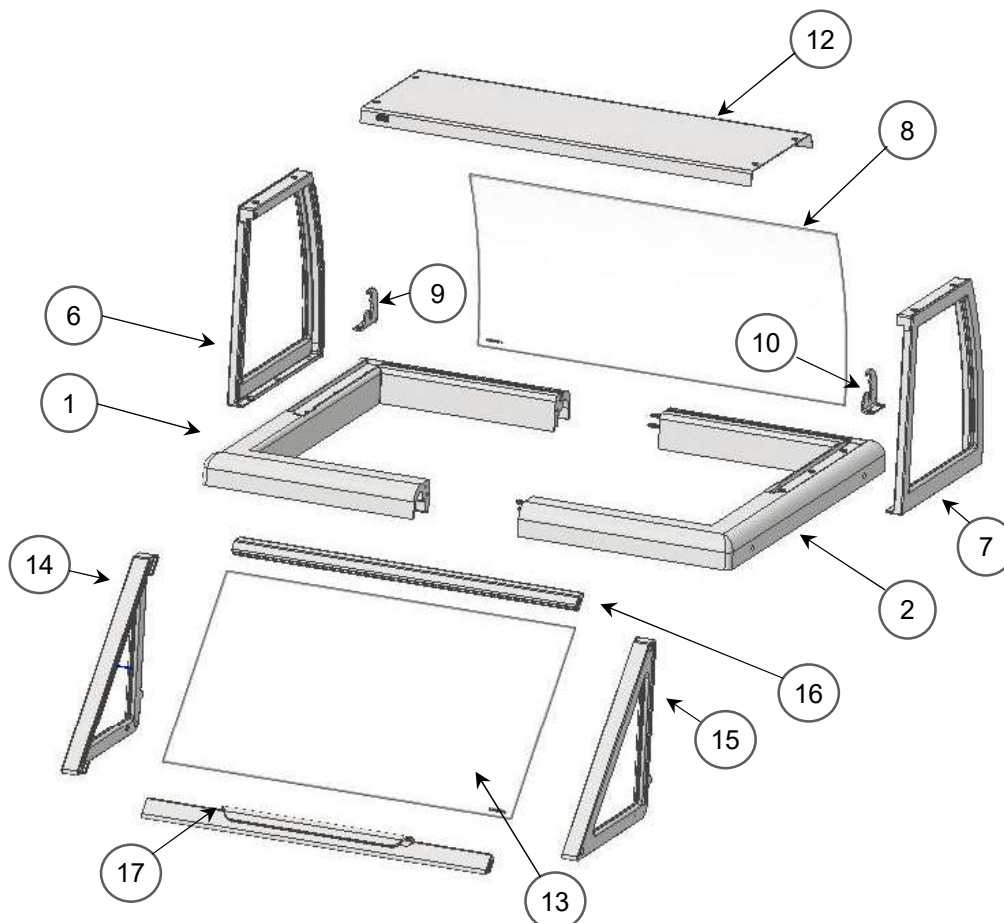
USE SOAP WATER



IMPORTANT !

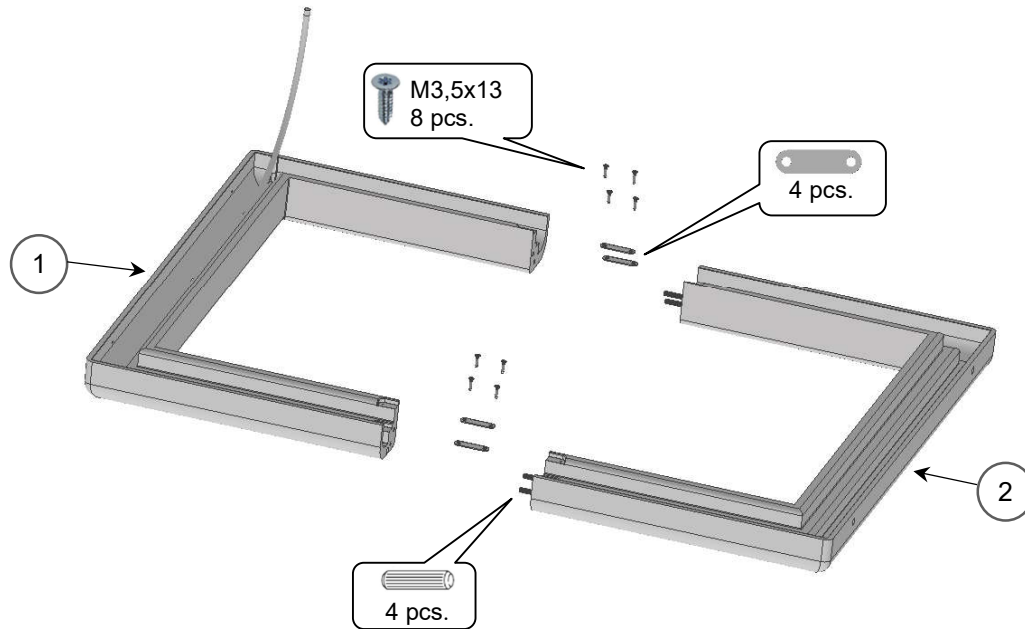


45 x 12 4 pcs.	M6x20 8 pcs.	M6x16 4 pcs.	M6x40 4 pcs.	M3,5x16 4 pcs.	M3,5x13 8 pcs.

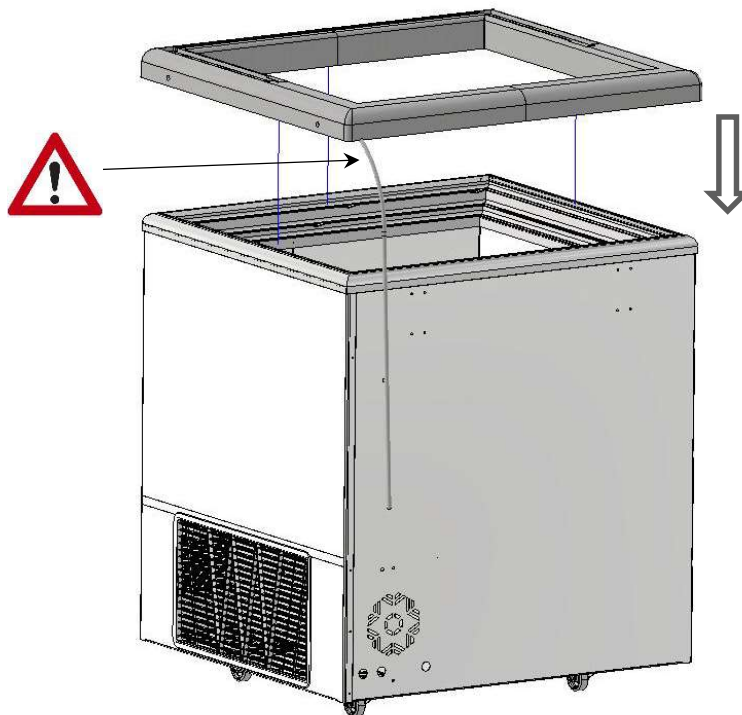


## Model 22

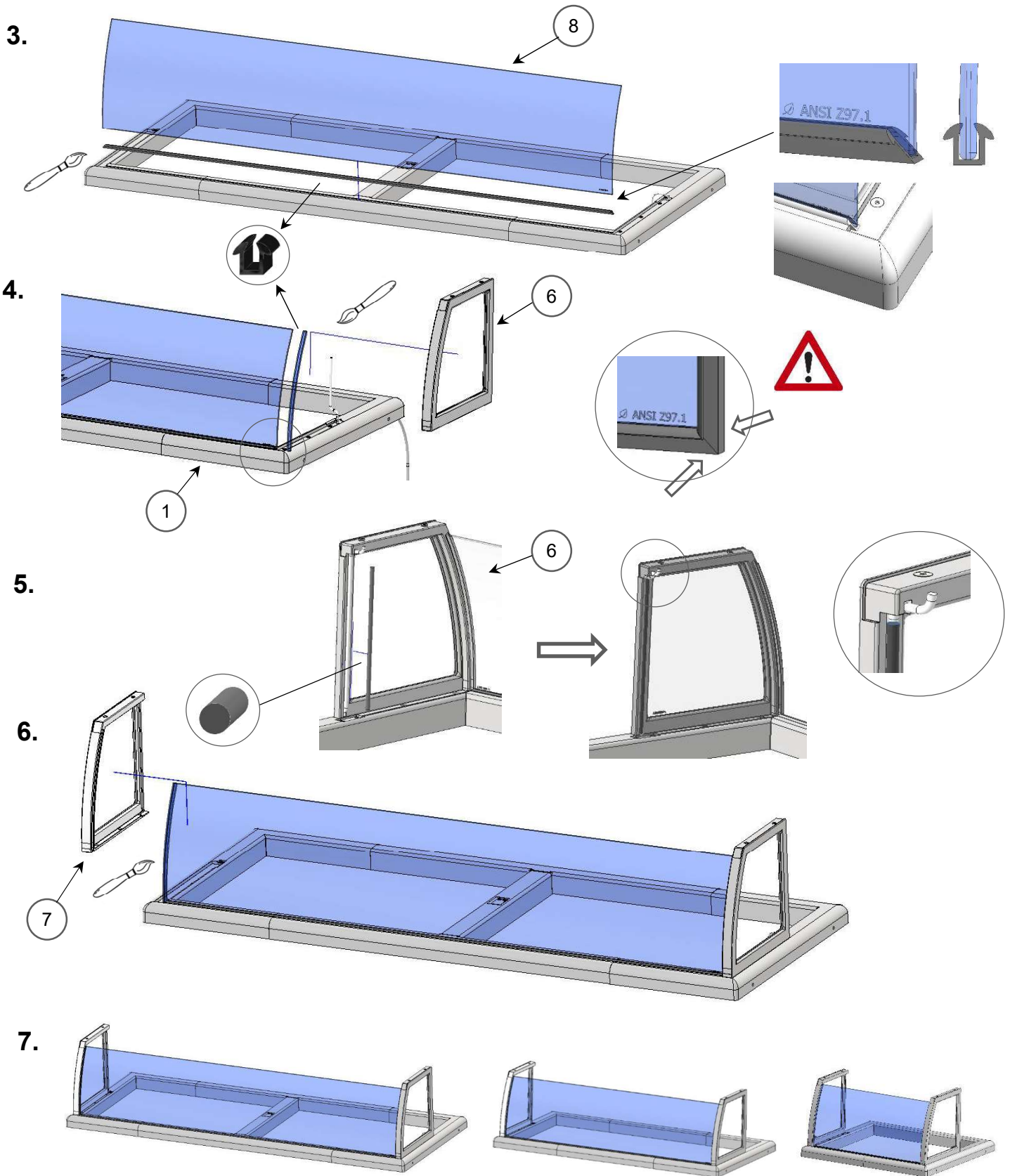
1.



2.



### All models

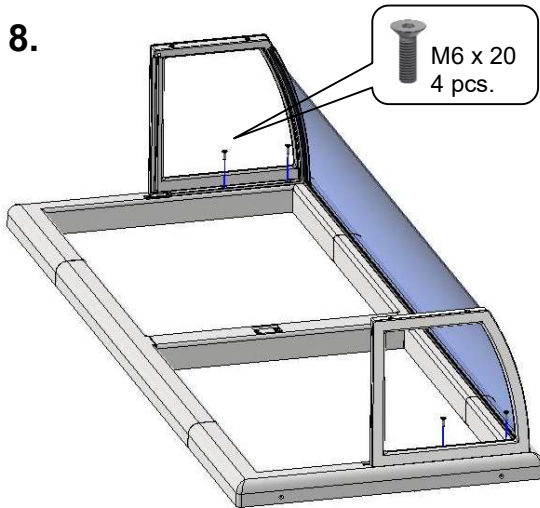


**Model 61, 53**

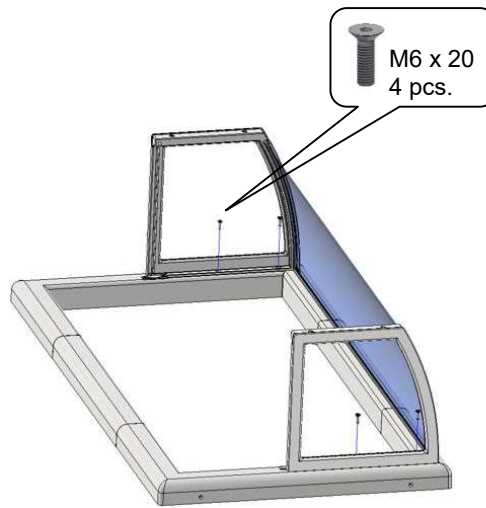
**Model 45, 35**

**Model 22**

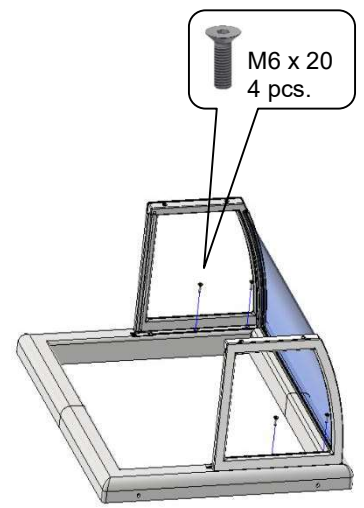
8.



**Model 61, 53**

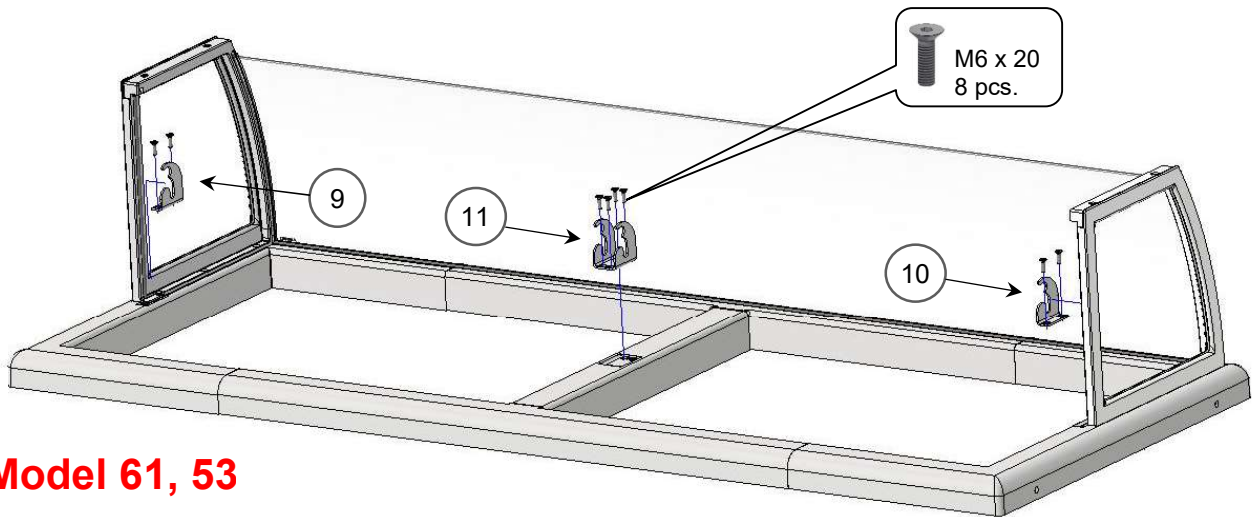


**Model 45, 35**

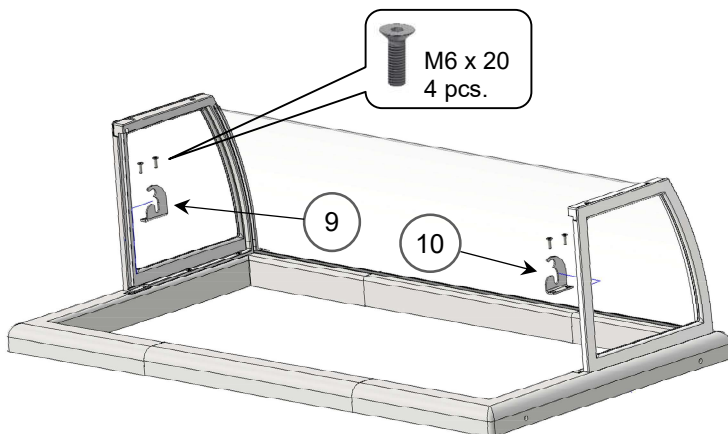


**Model 22**

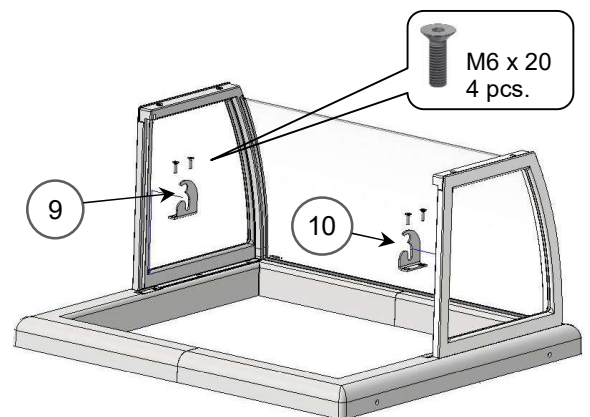
9.



**Model 61, 53**



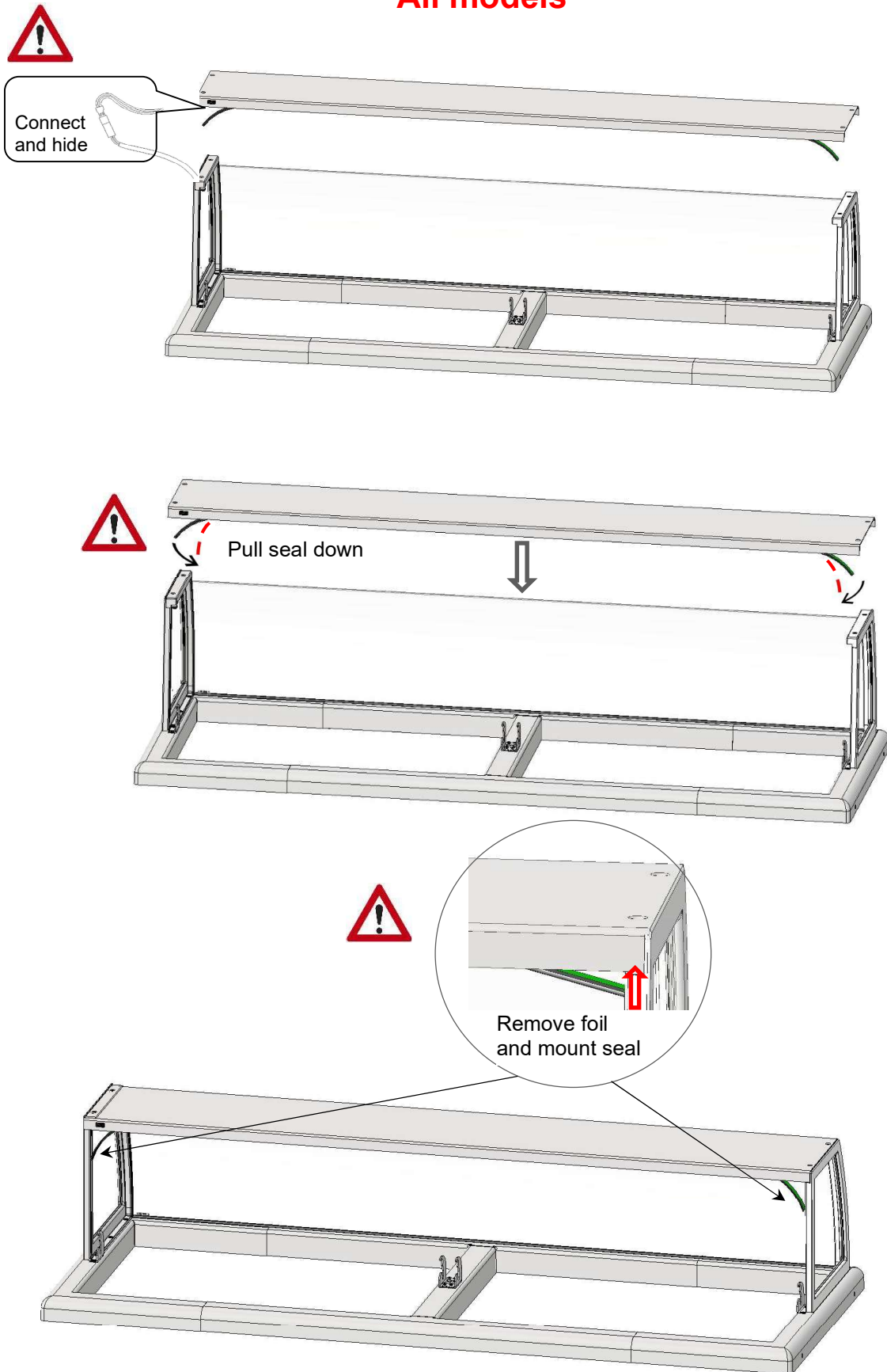
**Model 45, 35**

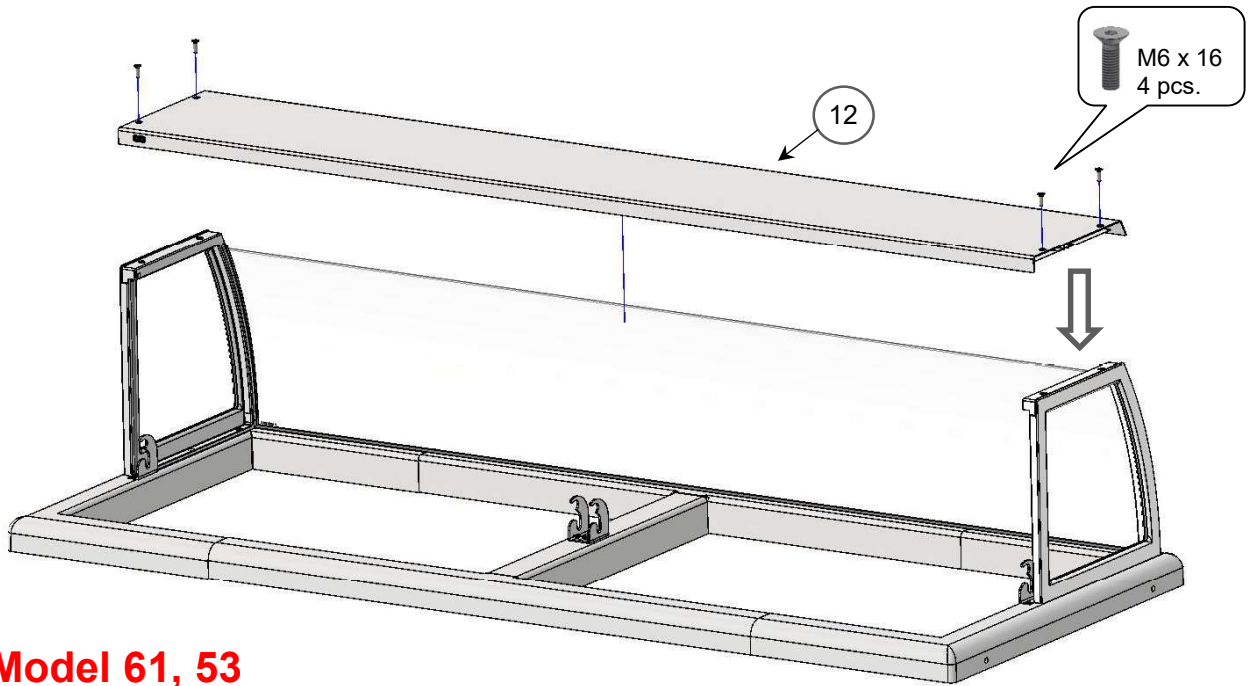


**Model 22**

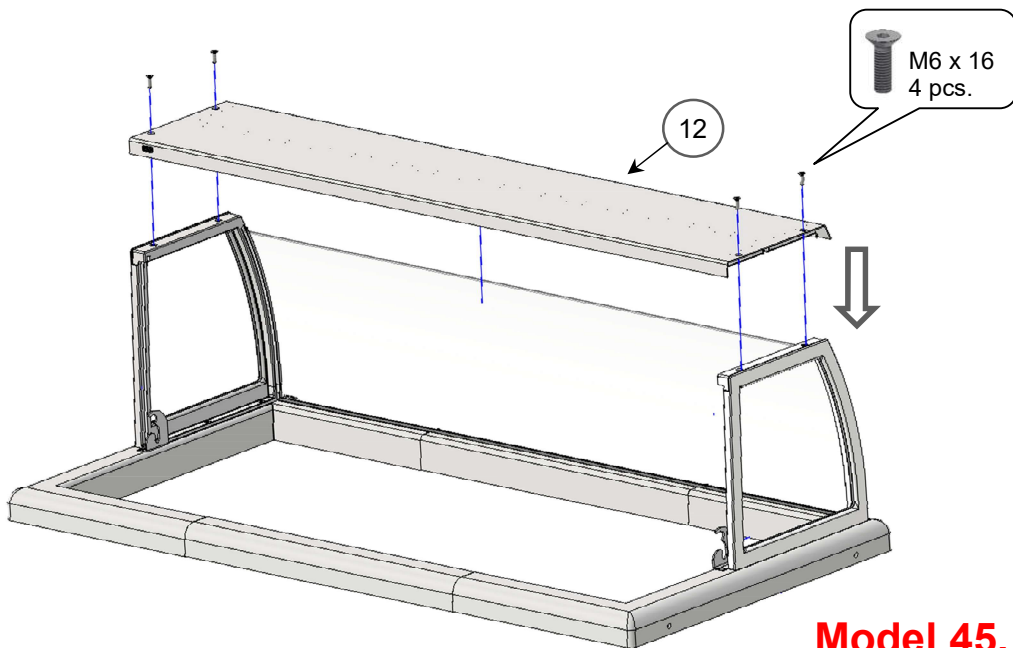
10.

All models

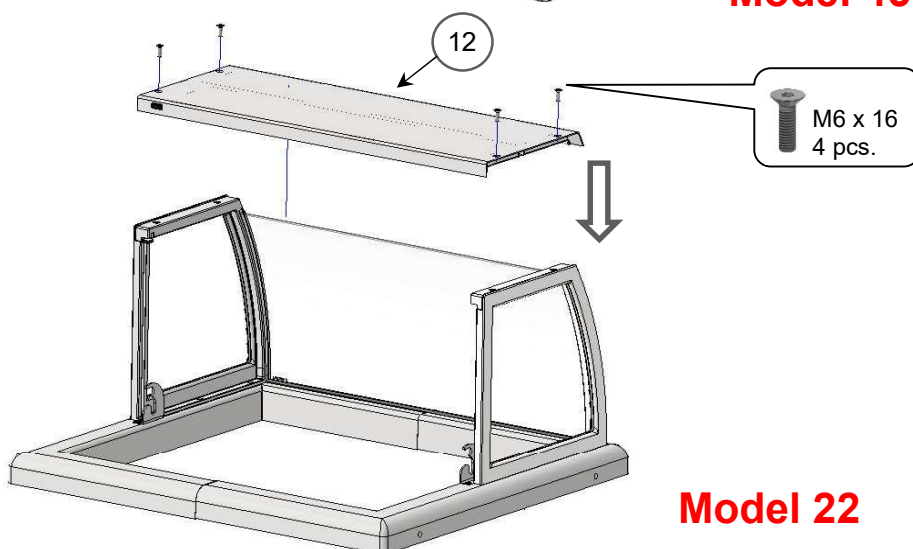




**Model 61, 53**

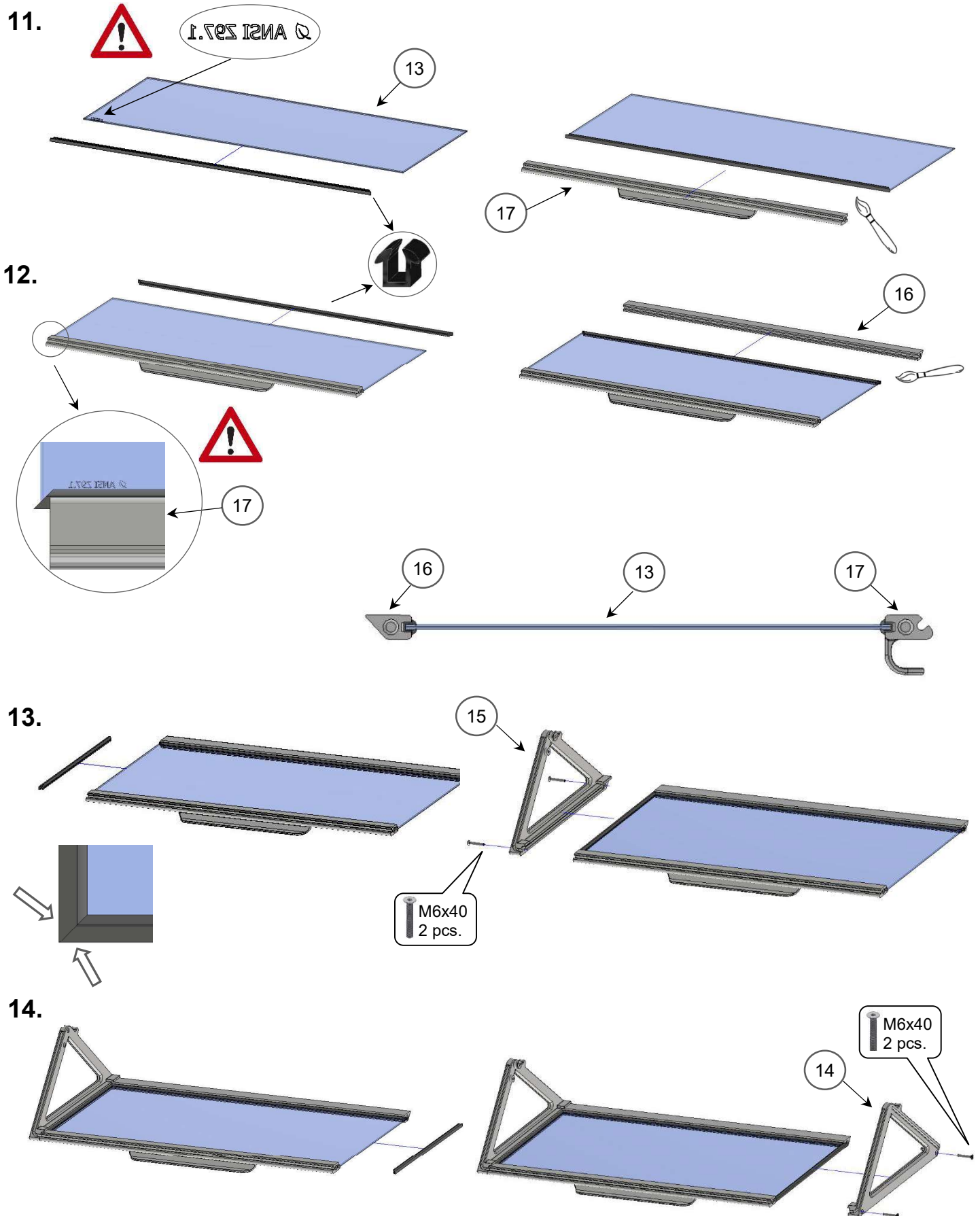


**Model 45, 35**

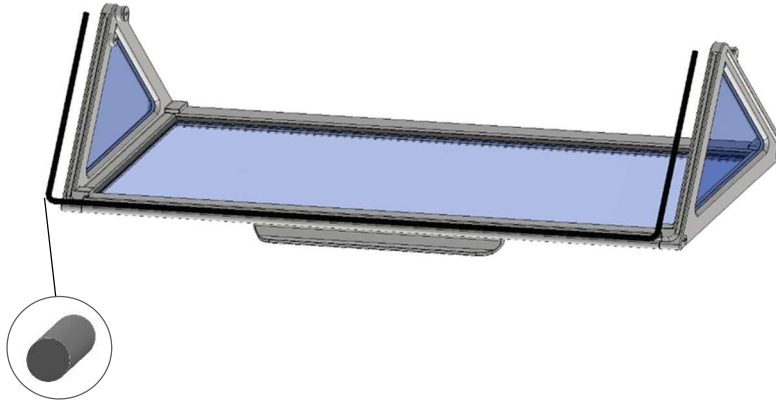


**Model 22**

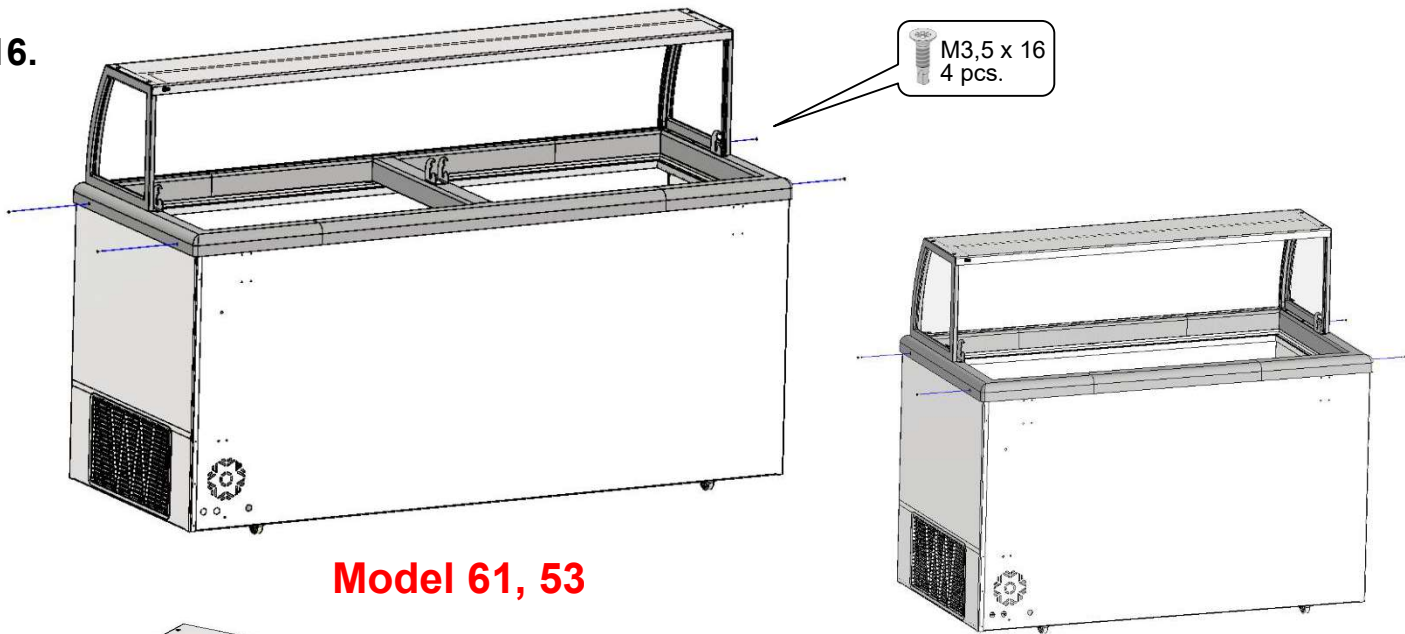
### All models



15.



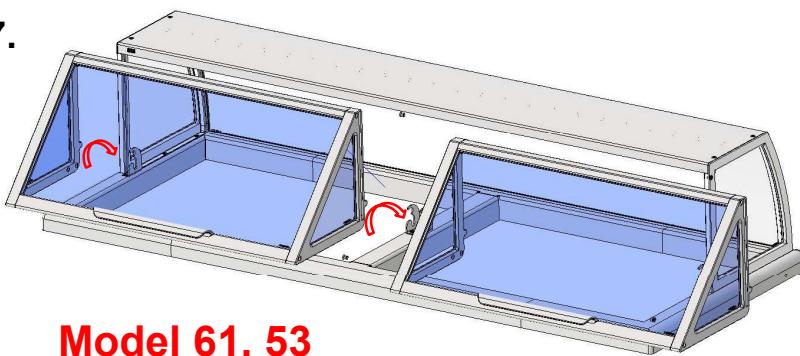
16.



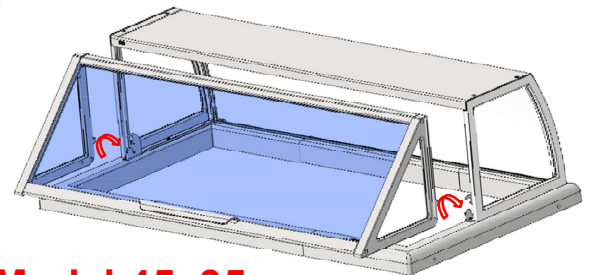
**Model 61, 53**

**Model 45, 35, 22**

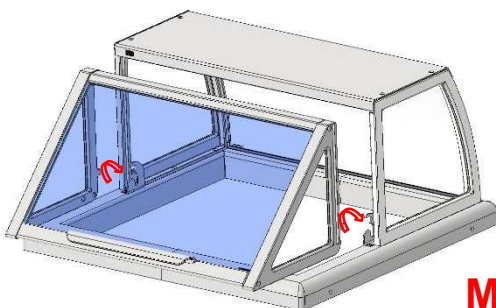
17.



**Model 61, 53**

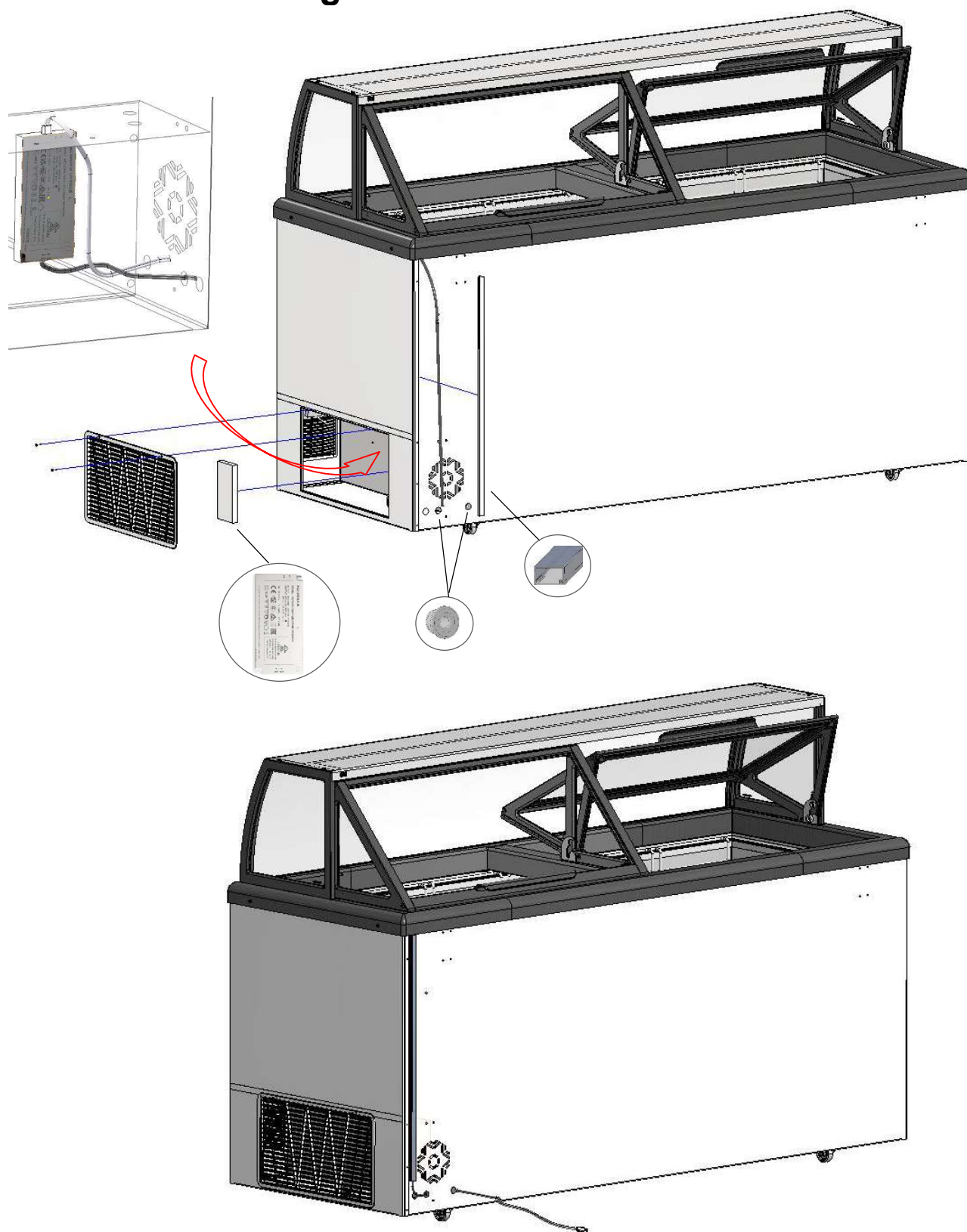


**Model 45, 35**



**Model 22**

## 18. Connect LED light



## 19. CLEANING, CARE & MAINTENANCE

### 1. Regular Cleaning and Disinfection

**Daily Wipe Down:** Clean your sneezeguards daily using a soft, lint-free cloth and a mild, non-abrasive cleaner. This prevents the buildup of dust, fingerprints, and smudges.

**Disinfecting Routine:** Use a disinfectant spray that is safe for use on acrylic or glass surfaces. Ensure it's effective against viruses and bacteria but free from harsh chemicals like ammonia, which can damage the surface.

**Correct Technique:** Spray the cleaner on the cloth, not directly on the frame surface, to avoid potential streaks and damage. Wipe in a gentle, circular motion.

### 2. Preventing Scratches and Damage

**Avoid Abrasive Materials:** Use only soft cloths or sponges when cleaning. Avoid paper towels, scouring pads, and abrasive cleaners that can scratch the surface.