



Installation Guide

Quality, Design and Innovation



home.liebherr.com/fridge-manuals









LIEBHERR

General safety instructions

Contents

1	General safety instructions.....	2
2	Installation dimensions.....	3
3	Side-by-Side assembly.....	4

The manufacturer is constantly working to improve all types and models. Therefore, please be aware that we reserve the right to make changes to the shape, equipment and technology.

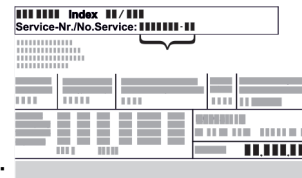
Symbol	Explanation
	Read instructions Please read the information in these instructions carefully to understand all of the benefits of your new appliance.
	Additional information online The digital manual with supplemental information can be found online by scanning the QR code on the front page of this manual or by entering the service number at home.liebherr.com/fridge-manuals .
	Check appliance Check all parts for transport damage. If you have any complaints, please contact your agent or customer service.
	Differences These instructions apply to a range of models, so there may be differences. Sections that apply to certain models only are indicated by an asterisk (*).
	Instructions and results Instructions are marked with a ▶. Results are marked with a ▷.
	Videos Videos about the appliances are available on the YouTube channel of Liebherr-Hausgeräte.

1 General safety instructions

- Please keep this assembly manual in a safe place so you can refer back to it at any time.
- If you pass the appliance on, please hand this assembly manual to the new owner.
- Read this assembly manual before installation and use in order to use the appliance safely and correctly. Follow the instructions, safety instructions and warning messages included at all times. They are important for




ensuring you can operate and install the appliance safely and without any problems.

- First read the general safety instructions in the “General safety instructions” section of the **operating instructions**, which accompany these installation instructions, and follow them. If you cannot find the **operating instructions**, you can download the **operating instructions** from the internet by entering the service number at home.liebherr.com/fridge-manuals. The service number can be found on the serial



tag:

- **Observe the warning messages and other detailed information in the other sections when installing the appliance:**

	DANGER	indicates a hazardous situation, which if not avoided, will result in death or serious injury.
	WARNING	indicates a hazardous situation, which if not avoided, could result in death or serious injury.
	CAUTION	indicates a hazardous situation, which if not avoided, will result in minor or moderate injury.
	NOTICE	indicates a hazardous situation, which if not avoided, could result in damage to property.
	Note	indicates useful advice and tips.

2 Installation dimensions

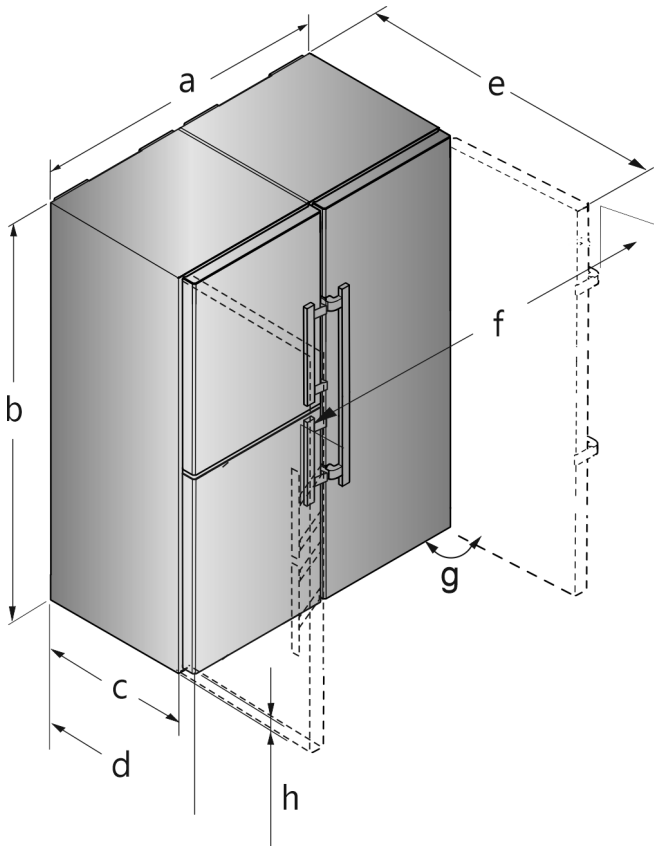


Fig. 1 Example illustration

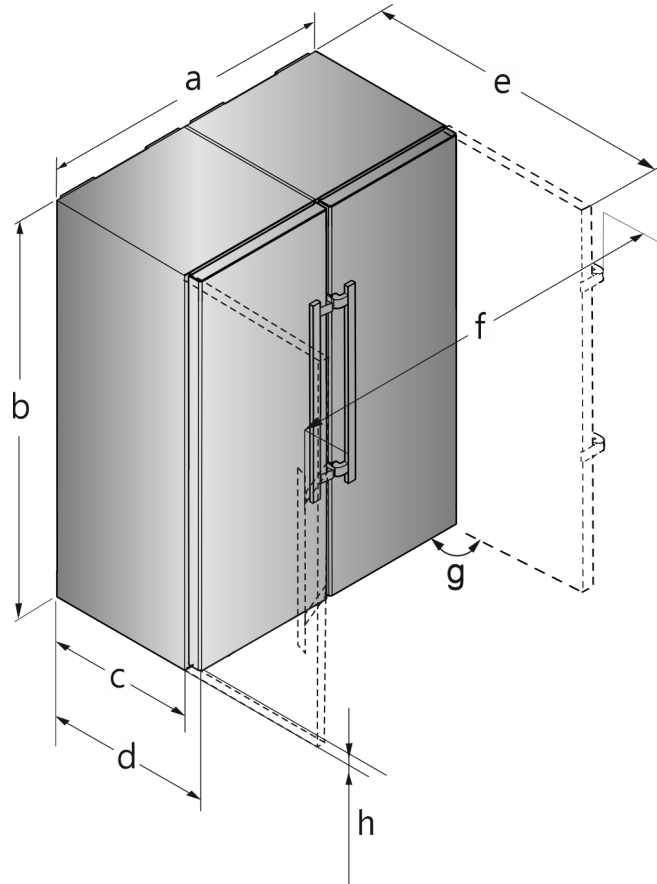


Fig. 2 Example illustration

	SF 52..	
a	1204 mm (47 3/8 in)	1204 mm (47 3/8 in)
b	1855 mm (73 1/16 in)	1855 mm (73 1/16 in)
c	611 mm (24 1/16 in)*	611 mm (24 1/16 in)*
d	675 mm (26 9/16 in)*	675 mm (26 9/16 in)*
e	1222 mm (48 1/8 in)*	1178 mm (46 3/8 in)*
f	1318 mm (51 7/8 in)	1774 mm (69 7/8 in)
g	90°	115°
h	35 mm (1 3/8 in)	35 mm (1 3/8 in)

Appliances with handle

	SC 57..(IM)	
a	1204 mm (47 3/8 in)	1204 mm (47 3/8 in)
b	2015 mm (79 5/16 in)	2015 mm (79 5/16 in)
c	611 mm (24 1/16 in)*	611 mm (24 1/16 in)*
d	675 mm (26 9/16 in)*	675 mm (26 9/16 in)*
e	1222 mm (48 1/8 in)*	1178 mm (46 3/8 in)*
f	1318 mm (51 7/8 in)	1774 mm (69 7/8 in)
g	90°	115°

Side-by-Side assembly

	SC 57..(IM)	
h	35 mm (1 3/8 in)	35 mm (1 3/8 in)

Appliances with handle

	SC 75..(IM)	
a	1504 mm (59 3/16 in)	1504 mm (59 3/16 in)
b	1655 mm (65 3/16 in)	1655 mm (65 3/16 in)
c	610 mm (24 1/16 in) ^x	610 mm (24 1/16 in) ^x
d	675 mm (26 9/16 in) ^x	675 mm (26 9/16 in) ^x
e	1365 mm (53 3/4 in) ^x	1314 mm (51 3/4 in) ^x
f	1618 mm (63 11/16 in)	2128 mm (83 3/4 in)
g	90°	115°
h	35 mm (1 3/8 in)	35 mm (1 3/8 in)

Appliances with handle

	SC 77..	
a	1504 mm (59 3/16 in)	1504 mm (59 3/16 in)
b	2015 mm (79 5/16 in)	2015 mm (79 5/16 in)
c	610 mm (24 1/16 in) ^x	610 mm (24 1/16 in) ^x
d	675 mm (26 9/16 in) ^x	675 mm (26 9/16 in) ^x
e	1365 mm (53 3/4 in) ^x	1314 mm (51 3/4 in) ^x
f	1618 mm (63 11/16 in)	2128 mm (83 3/4 in)
g	90°	115°
h	35 mm (1 3/8 in)	35 mm (1 3/8 in)

Appliances with handle

^x If you use a wall spacer bracket, the dimension specified increases by 15 mm (5/8 in).

e These dimensions apply to an opening angle of 90°
f (e) and 115° (f). Spacing dimensions vary depending on the opening angle.

3 Side-by-Side assembly

As seen from the front, set up the freezer or appliance with the freezing compartment on the left. These appliances are equipped with a side-wall heater on the right hand side to prevent condensation forming.

All fasteners are supplied with the appliance.

Assembly parts in the accessory kit

For appliances with lever handle

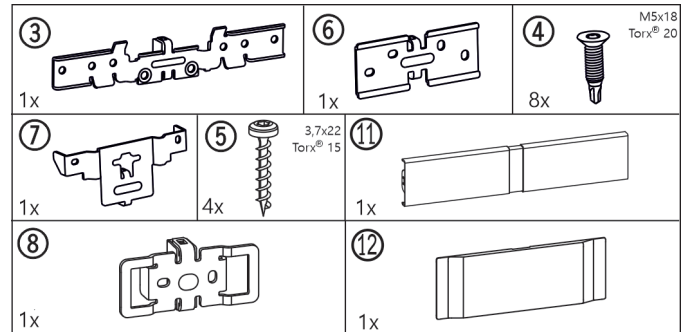


Fig. 3

For appliances with recessed grip

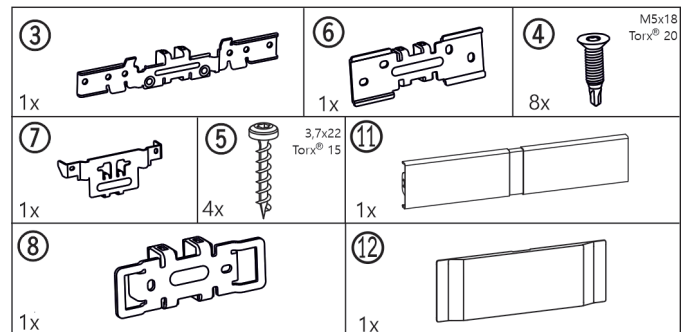


Fig. 4

For all appliances

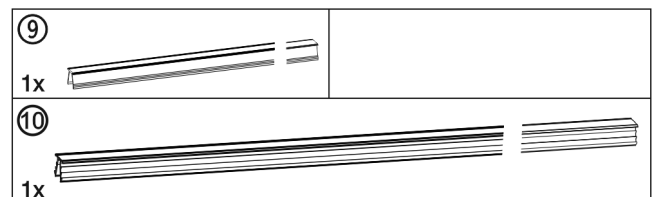


Fig. 5

For appliances with bottom soft stop mechanism*

Base trim*

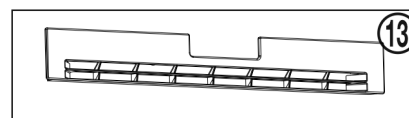


Fig. 6*

Swap bearing block cover

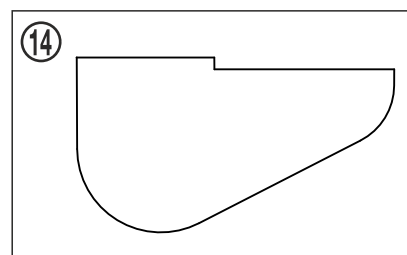


Fig. 7

For appliances without bottom soft stop mechanism*

Base panels*

Side-by-Side assembly

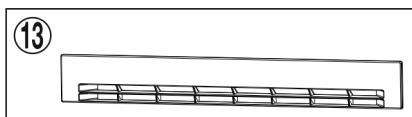


Fig. 8*

Tool for assembly

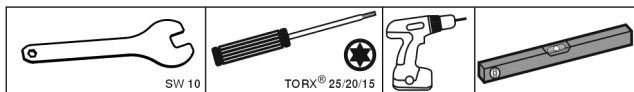


Fig. 9

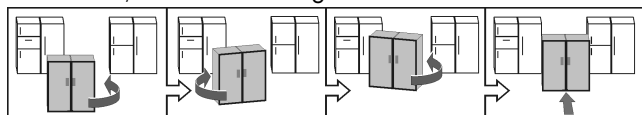
Make sure you have the following tools on hand:

- Side 10 open-ended spanner (supplied)
- Torx® 25/20/15 screwdriver
- Cordless screwdriver
- Spirit level

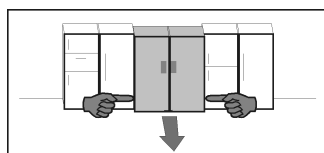
Information on moving the SBS combination:

- Before assembly, set the appliances up as close as possible to the final location. The appliances must be accessible on all sides for correct installation.
- When moving the appliances after installation, always take hold from the front outer corners. Never press your knee against the side walls or door.
- The easiest way to move the SBS combination is diagonally, by moving the left and right corner in turn.

If the combination is positioned exactly in front of the recess, slide it in straight.



- If you need to pull the combination back out of the recess, grasp it in the bottom third and pull forward straight.



NOTICE

Moving the SBS combination may result in damage! The assembled SBS combination is heavy. If not moved properly, the appliance may become dented.

- ▶ Read and follow the moving tips (see above).

- ▶ Remove all protective films from the housing exterior.

Bottom front of the appliance:

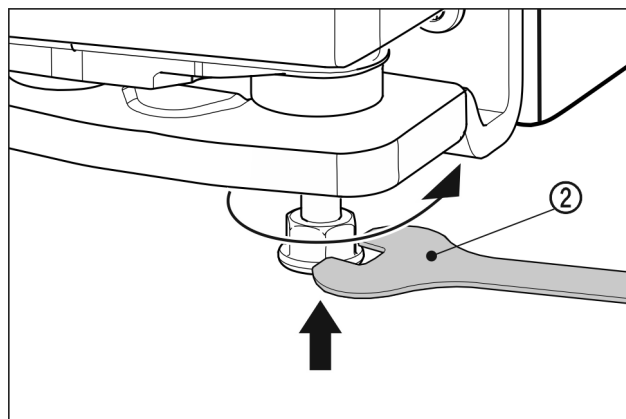


Fig. 10

- ▶ Screw in the outer adjusting feet. The appliances can be moved more easily.

For appliances with lever handle

- ▶ Push both appliances so that they are approx. 10 mm (0.39 in) apart from each other, and they are positioned flush facing forwards.

For appliances with recessed grip

- ▶ Push both appliances so that they are approx. 32 mm (1.26 in) apart from each other, and they are positioned flush facing forwards.
- ▶ Line the appliances up using a spirit level on the top of the appliance.

Top front of the appliance:

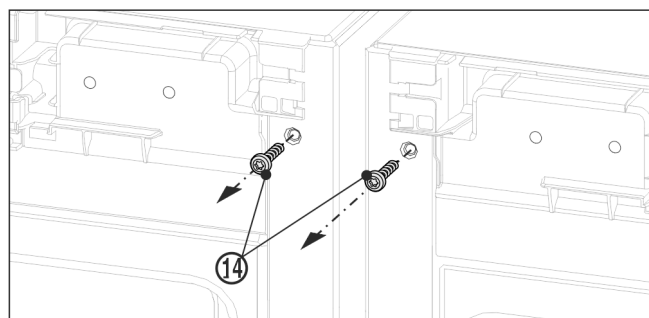


Fig. 11

- ▶ Remove the existing covers.
- ▶ Before fitting the top bracket, unscrew both grounding screws Fig. 11 (14).
- ▶ Store the grounding screws safely. The screws are needed for the bracket assembly as shown below.

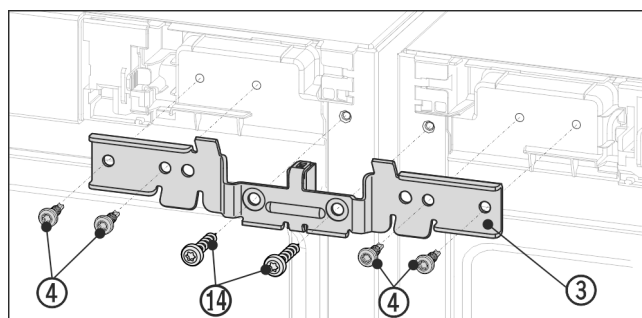


Fig. 12 Example illustration

Side-by-Side assembly

- ▶ Slide the bracket *Fig. 12 (3)* with the spacer between the appliances onto the pins. Loosely screw on the bracket with four screws *Fig. 12 (4)* and the previously unscrewed grounding screws *Fig. 12 (14)* alternately on the right and left.
- ▶ If necessary: Level out the appliance by laying a spirit level on the top of the appliance.

Bottom front of the appliance:

- ▶ Remove the existing covers.

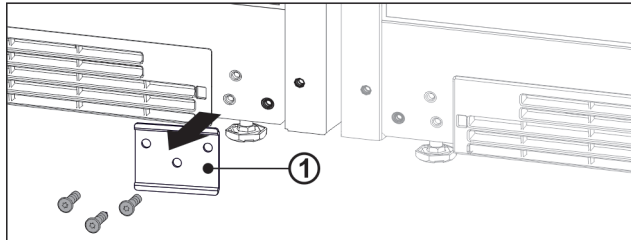


Fig. 13

- ▶ If the metal plate *Fig. 13 (1)* is installed, unscrew the metal plate.

Note

If you want to transport the appliance or set it up as an individual appliance, you must re-attach the metal plate.

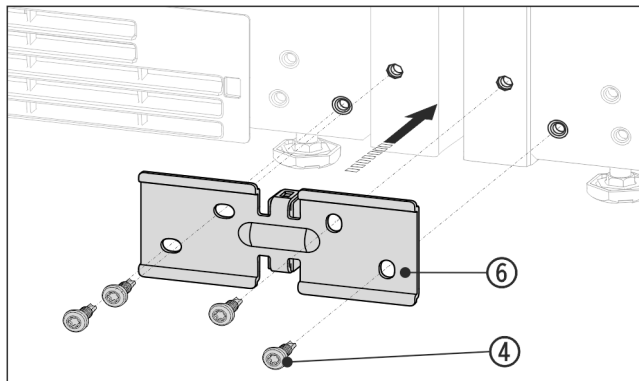


Fig. 14 Example illustration

- ▶ Slide the bracket *Fig. 14 (6)* with the spacer between the appliances and loosely screw on with 4 screws *Fig. 14 (4)*.
- ▶ If necessary: Align the appliances.
- ▶ Tighten top and bottom screws.

Top rear of the appliance:

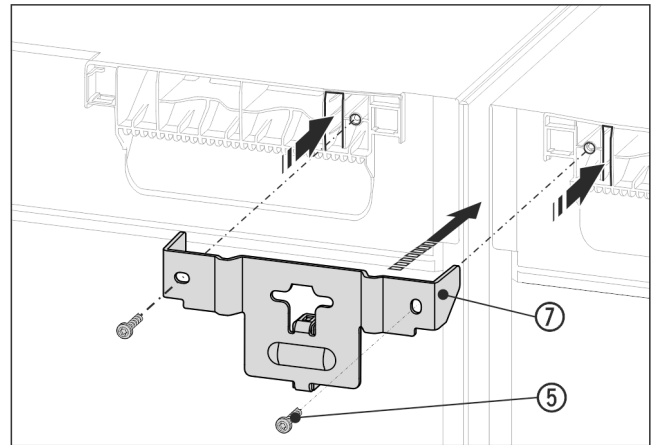


Fig. 15 Example illustration

- ▶ Slide the bracket *Fig. 15 (7)* with the spacer between the appliances and onto the appliance ceiling with the lugs. Tighten with 2 screws *Fig. 15 (5)*.

Bottom rear of the appliance:

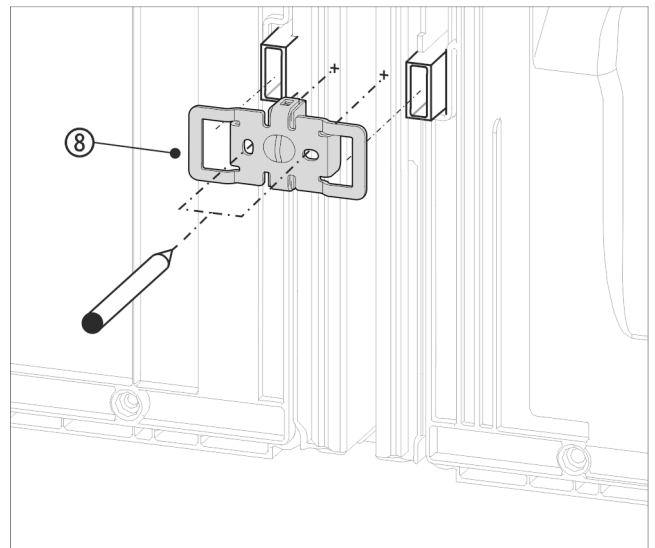


Fig. 16 Example illustration

- ▶ Slide the bracket *Fig. 16 (8)* with the slots over the retainer for the wall spacers.

Note

Holes for the screws must be pre-drilled.

- ▶ Mark the position of the holes to be drilled with a pencil.
- ▶ Remove the bracket again.

Note

Only drill through the metal plate. Drill depth approx. 1 mm (0.04 in).

Side-by-Side assembly

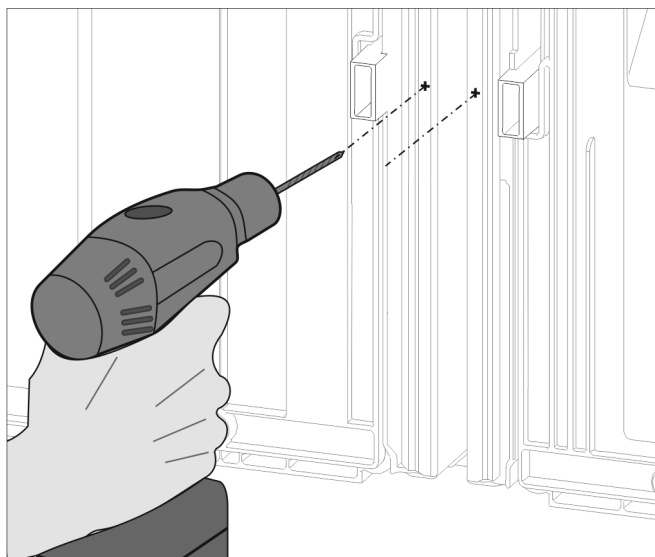


Fig. 17

- Pre-drill the screw holes with a 3 mm (0.12 in) bit and deburr.

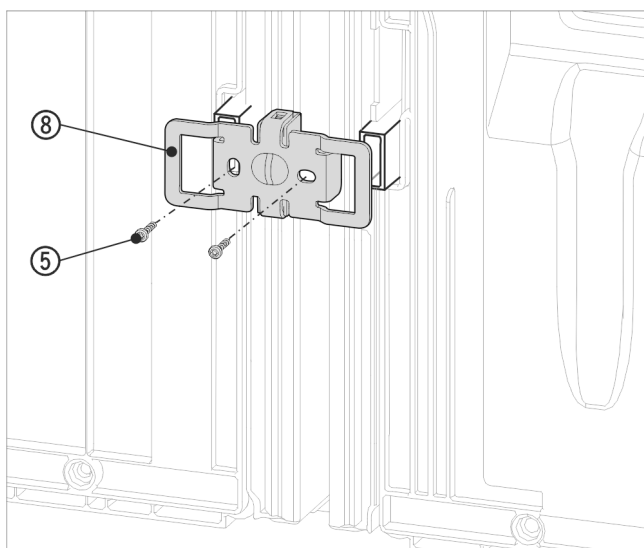


Fig. 18 Example illustration

- Slide the bracket Fig. 18 (8) on once more with the slots over the retainer for the wall spacers.
- Tighten firmly with 2 screws Fig. 18 (5).

Before fitting the top and front cover strips, push the two bars together over the whole length. The strips can be inserted more easily into the gap. Use a soft cloth to push the strips in to avoid dents in the surface of the cover strips. Press the strips into the gap carefully and evenly in order to achieve an optimum bond.

For appliances with lever handle

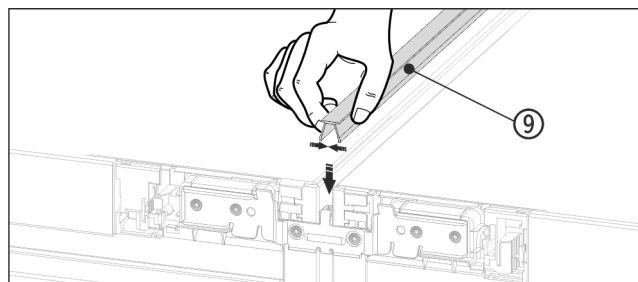


Fig. 19

- On the top press the short cover strip Fig. 19 (9) into the horizontal gap.

For appliances with recessed grip

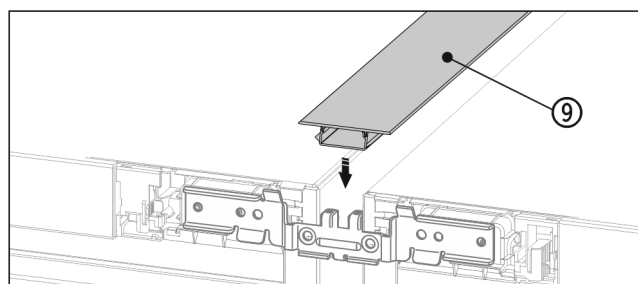


Fig. 20

- On the top press the short cover strip Fig. 20 (9) into the horizontal gap.

For appliances with lever handle

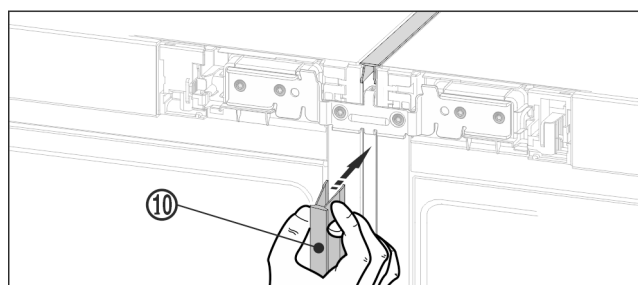


Fig. 21

- On the front press the long cover strip Fig. 21 (10) into the vertical gap. Ensure that the strip rests on the connecting plate.

For appliances with recessed grip

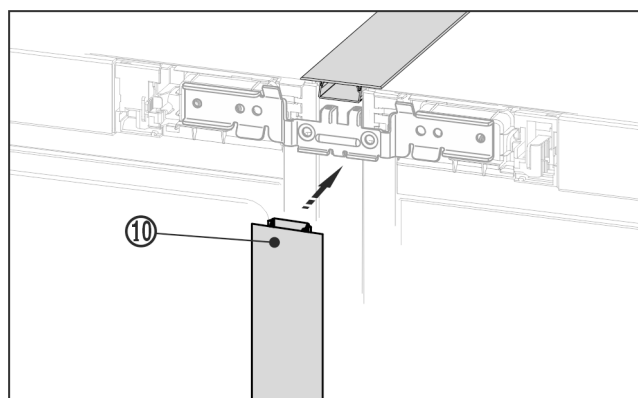


Fig. 22

Side-by-Side assembly

- ▶ On the front press the long cover strip *Fig. 22 (10)* into the vertical gap. Ensure that the strip rests on the connecting plate.
- ▶ Take off the protective film from the cover strip.*

Top front of the appliance:

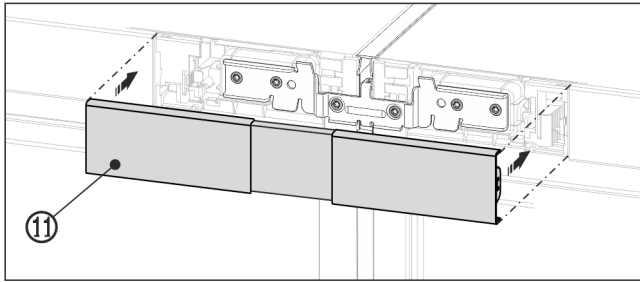


Fig. 23 Example illustration

- ▶ Snap the top cover *Fig. 23 (11)* onto the still open gap between the two control panel trims. Make sure that the outer sides of the cover form a flush finish with the control panel trims.

Bottom front of the appliance

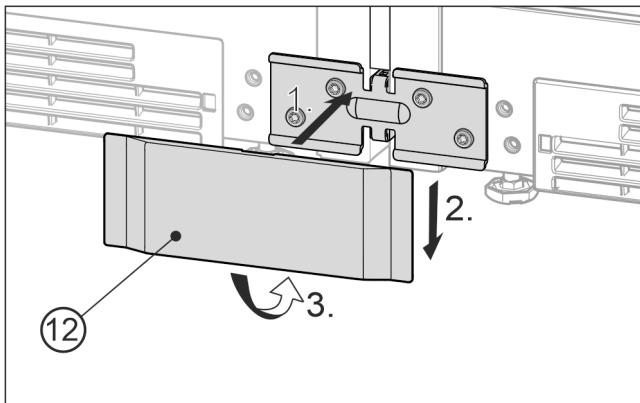


Fig. 24 Example illustration

- ▶ Place the bottom cover *Fig. 24 (12)* onto the bracket from the front *Fig. 24 (1)*, slide it down *Fig. 24 (2)* and snap it in at the bottom *Fig. 24 (3)*.
- ▶ To disassemble the cover, insert a screwdriver at the bottom on the side below the cover and release both lower hooks. The cover can swing out upwards.
- ▶ Connect the combination to the power supply. See Installation Guide.
Appliances with IceMaker or InfinitySpring:
- ▶ Connect the appliance to the fixed water connection. See Installation Guide.

NOTICE

Moving the SBS combination may result in damage! The assembled SBS combination is heavy. If not moved properly, the appliance may become dented.

- ▶ Read and follow the moving tips (see above).
- ▶ Carefully push the SBS combination into the specified position.
- ▶ If necessary, level out the SBS combination using the leveling feet.

- ▶ Then prop up the door: Lower outer adjusting feet on the bearing bracket until they are resting on the floor.

The height of the doors can be adjusted on the outer lower bearing brackets:

- ▶ Open the door to 90°.

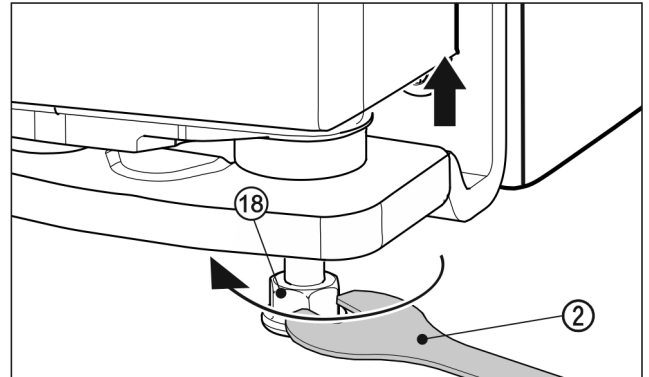


Fig. 25

- ▶ To lift the door, unscrew the adjusting foot *Fig. 25 (18)* clockwise using the supplied open-ended spanner *Fig. 25 (2)* until the foot comes into contact with the floor. Then continue turning until the door is adjusted to the right height. When delivered, the bearing pin is completely screwed in.

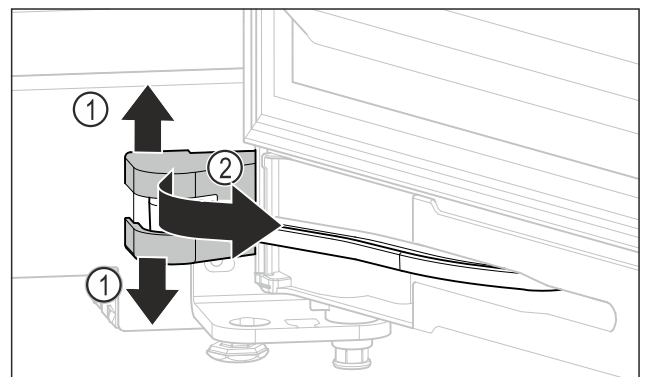
Fit decorative base trim.*

Note

Decorative base trims are available from the Liebherr Service Center. The address for your respective country can be found on the back of the instructions.*

After you have assembled and straightened out the appliances, the base trims can be fitted at the bottom of the appliances. The base trims are decorative and will not affect the functionality of the appliances.*

For appliances with bottom soft stop mechanism*



*Fig. 26 **

- ▶ Pull off the swap bearing block cover as shown in the illustration *Fig. 26 (1)*.*
- ▶ Turn the swap bearing block cover to the side *Fig. 26 (2)*.*

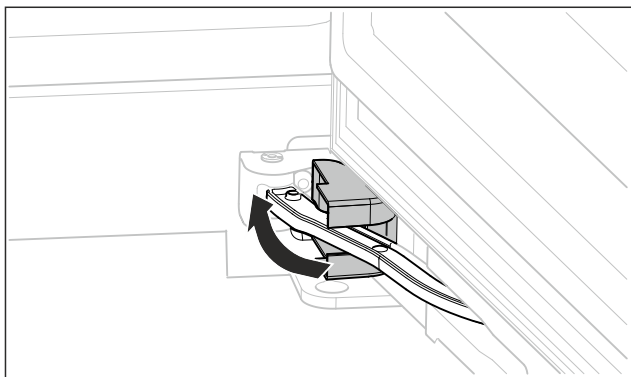


Fig. 27 *

- Turn the swap bearing block cover around the joint so that the open side shows upward.*

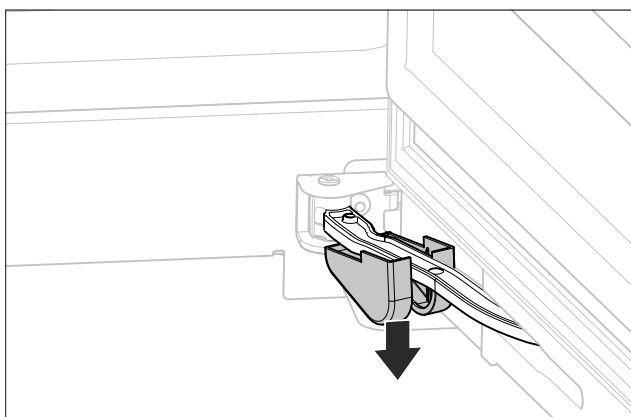


Fig. 28 *

- Remove the swap bearing block cover downward.*

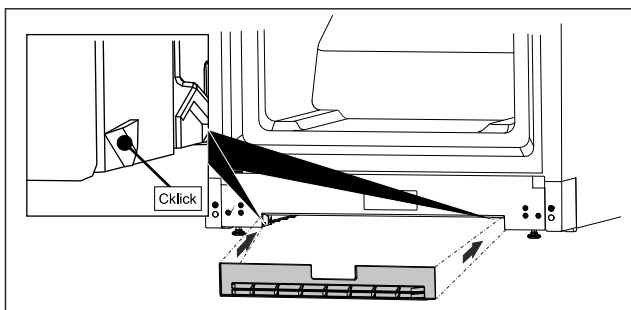


Fig. 29 *

- Fasten the base panel in the recess on the bottom of the appliance.*
- Install the swap bearing block cover from the included assembly kit Fig. 7 (14) in reverse order.*

For appliances without bottom soft stop mechanism*

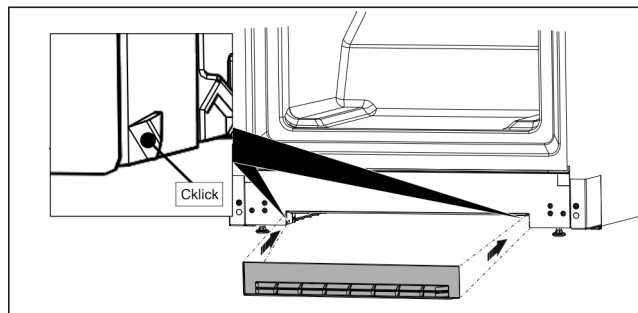


Fig. 30 *

- Secure the base trim in the recess at the bottom of the appliance, as shown in the figure.*



home.liebherr.com/fridge-manuals

EN Combined fridge-freezer with BioFresh

Issue date: 20240906

Part number index: 7086161-00

For Service in the U.S.: Liebherr Service Center
Toll Free: 1-866-LIEBHER or 1-866-543-2437
Service-appliances.us@liebherr.com
PlusOne Solutions, Inc.
3501 Quadrangle Blvd, Suite 120
Orlando, FL 32817

For Service in Canada: Liebherr Service Center
Toll Free: 1-888-LIEBHER or 1-888-543-2437
www.euro-parts.ca
EURO-PARTS CANADA
39822 Belgrave Road, Belgrave, Ontario, N0G 1E0
Phone: (519) 357-3320 | Fax: (519) 357-1326