



Installation Guide

Quality, Design and Innovation



home.liebherr.com/fridge-manuals




LIEBHERR






General safety instructions

Contents

1	General safety instructions.....	2
2	Setup conditions.....	3
2.1	Space.....	3
2.2	Fitting the appliance into the kitchen unit....	3
2.3	Setting up multiple appliances.....	4
2.4	Electrical connection.....	5
3	Installation dimensions.....	5
4	Ventilation requirements.....	5
5	Water connection.....	5
5.1	Water pressure.....	6
6	Transporting the appliance.....	6
7	Unpacking the appliance.....	6
8	Mounting wall spacers.....	6
9	Setting up the device.....	6
10	Setting up the appliance level.....	7
11	After setup.....	7
12	Disposal of packaging.....	7
13	Explanatory symbols used.....	7
14	Reversing the door.....	8
14.1	Taking off the soft stop mechanism.....	9
14.2	Removing the door.....	10
14.3	Moving the upper bearing parts to the other side.....	10
14.4	Moving the lower bearing parts to the other side.....	11
14.5	Moving the handles to the other side.....	12
14.6	Fitting the door.....	13
14.7	Aligning the door.....	14
14.8	Fitting the soft stop mechanism.....	14
15	Connecting the appliance to the water supply.....	15
15.1	Connecting the water pipe.....	15
15.2	Check the water system.....	16
16	Connecting the appliance.....	16

The manufacturer is constantly working to improve all types and models. Therefore, please be aware that we reserve the right to make changes to the shape, equipment and technology.

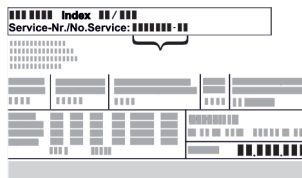
Symbol	Explanation
	Read instructions Please read the information in these instructions carefully to understand all of the benefits of your new appliance.

Symbol	Explanation
	Additional information online The digital manual with supplemental information can be found online by scanning the QR code on the front page of this manual or by entering the service number at home.liebherr.com/fridge-manuals .
	Check appliance Check all parts for transport damage. If you have any complaints, please contact your agent or customer service.
	Differences These instructions apply to a range of models, so there may be differences. Sections that apply to certain models only are indicated by an asterisk (*).
	Instructions and results Instructions are marked with a ▶. Results are marked with a ▷.
	Videos Videos about the appliances are available on the YouTube channel of Liebherr-Hausgeräte.

1 General safety instructions

- Please keep this assembly manual in a safe place so you can refer back to it at any time.
- If you pass the appliance on, please hand this assembly manual to the new owner.
- Read this assembly manual before installation and use in order to use the appliance safely and correctly. Follow the instructions, safety instructions and warning messages included at all times. They are important for ensuring you can operate and install the appliance safely and without any problems.
- First read the general safety instructions in the “General safety instructions” section of the **operating instructions**, which accompany these installation instructions, and follow them. If you cannot find the **operating instructions**, you can download the **operating instructions** from the internet by entering the service number at home.liebherr.com/fridge-manuals. The

service number can be found on the serial



tag:

- **Observe the warning messages and other detailed information in the other sections when installing the appliance:**

	DANGER	indicates a hazardous situation, which if not avoided, will result in death or serious injury.
	WARNING	indicates a hazardous situation, which if not avoided, could result in death or serious injury.
	CAUTION	indicates a hazardous situation, which if not avoided, will result in minor or moderate injury.
	NOTICE	indicates a hazardous situation, which if not avoided, could result in damage to property.
	Note	indicates useful advice and tips.

2 Setup conditions



WARNING

Risk of fire due to moisture!

If live parts or the power cord get wet, this can cause a short circuit.

- The appliance is designed for use in enclosed spaces. Do not operate the appliance in open space or in damp areas or where there is spray.

Normal use

- Only set up and use the appliance in enclosed spaces.

2.1 Space



WARNING

Leaking refrigerant and oil!

Fire. The refrigerant contained within the appliance is environmentally friendly, but flammable. The oil contained within the appliance is flammable. Escaping refrigerant and oil can ignite if they are of high enough concentration and are exposed to an external heat source.

- Do not damage the pipelines of the coolant circuit and the compressor.

- The optimal installation site is a dry and well ventilated room.
- If the appliance is installed in a very damp environment condensate water may form on the outside of the appliance. Always ensure sufficient airflow and ventilation in the setup location.
- The more refrigerant there is in the appliance, the larger the space that it is installed in must be. If the space is too small, any leak may create a flammable mixture of gas and air. For every 8 g (0.28 oz) of refrigerant, the installation space must be at least 1 m³ (35.5 ft³). Specifications on the refrigerant in the appliance can be found on the serial tag plate inside the appliance.

2.1.1 Installation surface

- The floor of the installation site must be horizontal and level.
- The height of the appliance base must be the same as the surrounding floor.

2.1.2 Installation position

- Do not set up the appliance in an area with direct sunlight, next to a heating unit or similar.
- You can set up the appliance directly next to an oven.
- If you set up the appliance directly next to an oven, its energy consumption may increase slightly. This depends on the service life and how often the oven is used.
- Always stand the appliance backed directly to the wall using the enclosed wall spacers (see below).

2.2 Fitting the appliance into the kitchen unit

You can install kitchen cabinets around the appliance.

Setup conditions

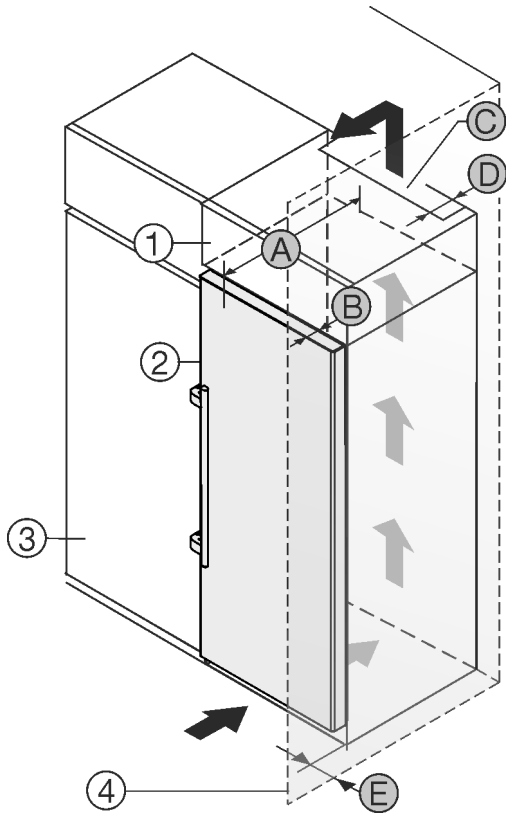


Fig. 1

- (1) Top cabinet
- (2) Appliance
- (3) Kitchen cabinet
- (4) Wall
- (A) Appliance depth
- (B) Door depth
- (C) Ventilation cross-section
- (D) Distance to the rear of the appliance
- (E) Distance to the side of the appliance

There must be a ventilation shaft at the depth Fig. 1 (D) of the back of the top cupboard over the entire width of the top cupboard.

The cross section of the ventilation gap Fig. 1 (C) must be maintained below the ceiling.

If the appliance is set up with the hinges next to a wall Fig. 1 (4), the distance between the appliance and the wall must be at least 57 mm (2 1/4 in) . This is how far the handle protrudes when the door is open.

In order to be able to fully open the door, the appliance must protrude by the depth of the door Fig. 1 (B) from the front of the kitchen cabinet. Regardless of the depth of the kitchen cabinets Fig. 1 (3) and use of wall spaces, the appliance can protrude further.

Appliances with lever handle:	
A	675 mm (26 9/16 in) *
B	75 mm (2 15/16 in)
C	Min. 300 cm ² (46.5 in ²)
D	mind. 50 mm (1 15/16 in)

Appliances with lever handle:	
E	Min. 57 mm (2 1/4 in)

* The use of wall spacers increases the dimensions by 15 mm (5/8 in) (see 8 Mounting wall spacers) .

Note

A set for restricting the door opening angle to 90° can be acquired from Customer Services for appliances with soft closing.

Ensure that the following conditions are met:

- Recess dimensions are adhered to .
- Ventilation requirements are complied with (see 4 Ventilation requirements) .

2.3 Setting up multiple appliances

The appliances were developed for different installation options. If you want to install several appliances side by side or on top of each other, make sure that the following requirements are met:

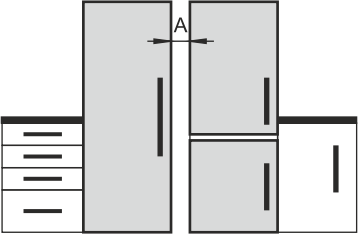
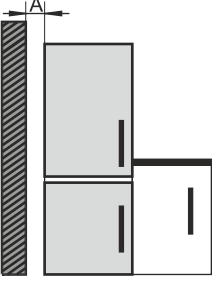
- Only install those appliances side by side or on top of each other that were developed for the purpose.
- Observe the instructions and the following table.

NOTICE

Risk of damage caused by water condensate!

- ▶ Do not set up the appliance next to another refrigeration/freezer unit.

Model	Installation type
All models	individually
Models with a model designation that starts with S....	Side-by-side (SBS)

Model	Installation type
Models without side wall heating	 <p>Next to each other: Install with a distance A from 70 mm (2 3/4 in) between the appliances. If you do not keep this distance, condensate can form on the side walls between the appliances.</p>  <p>At an outside wall: Install with a distance A as for a side-by-side installation. If you do not keep this distance, condensate can form on the side wall of the appliance.</p>

Models and their installation type

Assemble the appliances according to the separate assembly instructions.

2.4 Electrical connection



WARNING

Danger of fire due to incorrect positioning!

If the power supply cable or plug touches the back of the appliance, the vibration can damage the power supply cable or the plug resulting in a short circuit.

- ▶ Make sure the power supply cable is not trapped under the appliance when you position the appliance.
- ▶ Install the appliance so that it does not touch any plugs or power cables.
- ▶ Do not connect any appliances to sockets in the area of the back of the appliance.
- ▶ Do **not** place and operate power strips/power distributors and other electronic devices (such as halogen transformers) at the back of the appliances.

3 Installation dimensions

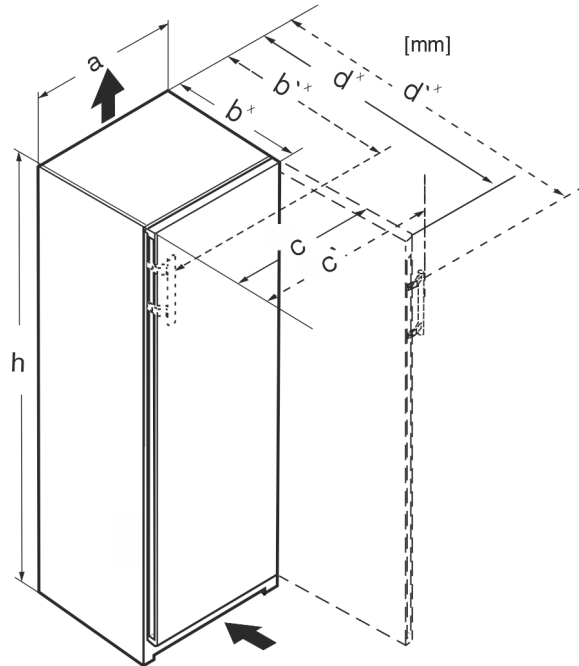


Fig. 2

Dimensions with lever handle (in):					
	h	a	b'	c'	d'
SF5291	73 1/16	23 1/2	28 5/16 ^x	25 3/4	48 1/8 ^x

^x For appliances with supplied wall spacers, the dimension must be increased by 15 mm (5/8 in) (see 8 Mounting wall spacers).

4 Ventilation requirements

NOTICE

Risk of damage due to overheating in the case of insufficient ventilation!

In the case of insufficient ventilation, the compressor can be damaged.

- ▶ Make sure there is sufficient ventilation.
- ▶ Observe the ventilation requirements.

If the appliance is integrated in a fitted kitchen, the following ventilation requirements must be met:

- Basically, the larger the ventilation gap, the more energy the appliance saves during operation.

5 Water connection

If your appliance has a fixed water connection, an elbow connector with screen filter is supplied with it.

Requirements for the water pressure:	(see 5.1 Water pressure)
--------------------------------------	--------------------------

Transporting the appliance

Make the water connection:	(see 15 Connecting the appliance to the water supply)
----------------------------	---

5.1 Water pressure

The water connection line and solenoid valve of the appliance are suitable for a water pressure of up to 1 MPa (10 bar (145.04 psi)).

To ensure that the appliance functions correctly (flow rate, ice cube size, noise level), maintain the following water pressure:

Water pressure:		
bar	psi	MPa
1.5 to 6.2	21.76 to 87.02	0.15 to 0.62

If the pressure is higher than 6.2 bar (89.92 psi):

- ▶ Connect a pressure reducer.
- ▶ Make the water connection. (see 15 Connecting the appliance to the water supply)

6 Transporting the appliance

Observe the following when transporting the appliance:

- ▶ Transport the appliance upright.
- ▶ Use two people when transporting the appliance.

During the first use:

- ▶ Transport the appliance packaged.

During appliance transport or at first use (e.g. when moving or cleaning):

- ▶ Empty the appliance.
- ▶ Secure the door against undesired opening.

7 Unpacking the appliance

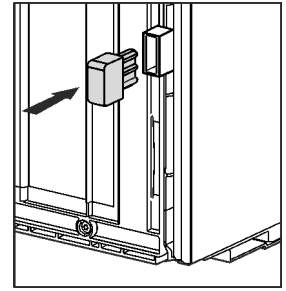
If the appliance is damaged check with the supplier immediately before connecting it.

- ▶ Check the appliance and packaging for damage during transport. If you suspect any damage, please contact your supplier immediately.
- ▶ Remove all materials that could prevent it from being installed properly or prevent proper ventilation from the back or the side panels of the appliance.
- ▶ Remove all protective films from the appliance. Do not use sharp or pointed objects for this.

8 Mounting wall spacers

With the wall spacer, your appliance will achieve the specified energy consumption and no condensation will form in high ambient humidity. The appliance will work properly without using the wall spacer, but with a slightly higher energy consumption.

If you use the wall spacer, the appliance depth increases by approx. 15 mm (5/8 in).



- ▶ Appliance with the wall spacer brackets provided: Install the wall spacer bracket on the rear side of the appliance on the left and right.

9 Setting up the device



CAUTION

Risk of injury due to heavy appliance!

- ▶ Have two people transport the appliance to its installation site.



WARNING

Risk of fire from short circuit!

- ▶ When setting up the appliance: Do not kink, trap, or damage the power cable.
- ▶ Do not operate the appliance with a defective power cable.



WARNING

Danger of injury and damage due to the appliance being unstable!

The appliance can tip over.

- ▶ Secure the appliance as described in the instructions.



WARNING

Danger of fire and damage!

- ▶ Do not place devices that give off heat, e.g. microwaves, toasters, etc. on the appliance.

Make sure that the following requirements are fulfilled:

- Only move the appliance when it is not loaded.
- Always install the appliance with help.
- ▶ Remove the power cable from the enclosed package.
- ▶ Fully insert the IEC socket of the power cable completely into the appliance plug on the rear side of the appliance. Ensure the IEC socket is firmly in place.
- ▶ If necessary, use a string to route the power plug to a socket outlet that is freely accessible.

10 Setting up the appliance level

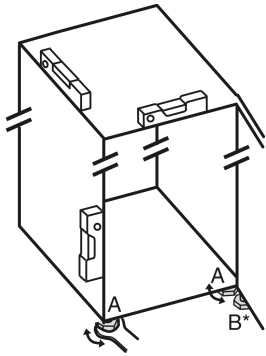


Fig. 3

- ▶ Unscrew the adjustable feet Fig. 3 (A) using the open-end wrench provided and a spirit level until the appliance is firmly aligned and level.



CAUTION

Risk of injury or damage from the appliance tipping or the door falling open!

If the additional adjustable foot on the base support is not correctly positioned on the floor, there is a risk of the door falling open or the appliance tipping. This can lead to injury or property damage.

- ▶ Unscrew the additional adjustable foot on the swap bearing block as per the instructions.
- ▶ Unscrew the adjustable foot Fig. 3 (B) at the swap bearing block using the open-end wrench provided until it rests on the floor.
- ▶ Turn the adjustable foot Fig. 3 (B) another 90°.
- ▷ Appliance is aligned.

11 After setup

- ▶ Pull off the protective film from the outside of the housing.
- ▶ Remove all transport packaging.
- ▶ Clean the appliance. (see operating instructions)
- ▶ Note the type (model, number), appliance designation, appliance/serial number, purchase date and dealer's address.

12 Disposal of packaging



WARNING

Danger of suffocation from packaging materials and films!

- ▶ Do not allow children to play with packaging materials.

The packaging is made from recyclable materials:

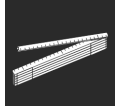

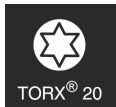










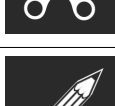

- Corrugated card/cardboard
- Parts made of foamed polystyrene

- Films and bags from polyethylene
- Packing bands from polypropylene
- Wood frame nailed together with a polyethylene window*
- ▶ Take the packaging material to an official collection point.

13 Explanatory symbols used

	There is the risk of injury when doing this! Obey the safety instructions!
	These instructions apply to several models. Only perform this step if it applies to your appliance.
	To install, please follow the detailed description in the Guide.
	This section applies either to a single-door appliance or a double-door appliance.
	Choose one of the options: Appliance with right-hinged door or appliance with left-hinged door.
	Installation step necessary with IceMaker and/or InfinitySpring.
	Loosen or tighten screws slightly.
	Tighten the screws fully.
	Check to see if the next step applies for your model.
	Check the components are in correctly.
	Measure the specified measurement and adjust if necessary.

Reversing the door

	Installation tool: Meter stick
 	Tool for assembly: Cordless screwdriver and attachments We recommend a longer bit insert to reach the screws better.
	
	Tool for assembly: Spirit level
	Tool for assembly: Size 7 and size 10 spanner
	Two people are required for this step.
 	This step takes place at the selected location of the appliance.
	Aid for assembly: String
	Aid for assembly: Square
	Aid for assembly: Screwdriver
	Aid for assembly: Scissors
	Aid for assembly: Non-permanent marker pen
	Accessory kit: Remove components



Dispose of components that are no longer needed.

14 Reversing the door

Tools

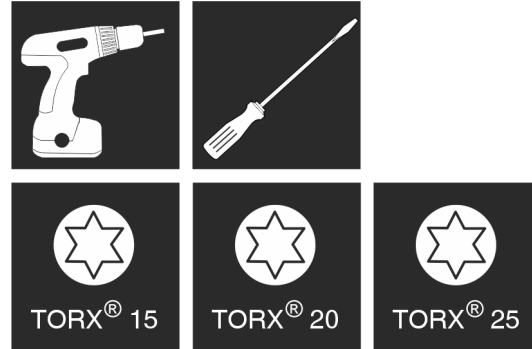


Fig. 4



WARNING

Danger of injury due to door falling out!

If the bearing parts are not screwed on tightly enough, the door may fall out. This can result in serious injuries. In addition, the door may not close causing the appliance to cool improperly.

- ▶ Screw on the bearing brackets/bearing pins tightly with 4 Nm (3 ft lb).
- ▶ Check all screws and retighten them if necessary.

These sections apply for appliances **with a soft stop mechanism**:

- For appliances **with** a soft stop mechanism
- For all appliances

NOTICE

Risk of damage to side-by-side appliances caused by condensate!

Certain appliances can be set up as side-by-side combinations (two appliances beside one another).

If your appliance **is a side-by-side appliance**:

- ▶ Install the SBS combination in accordance with the accompanying sheet.

If the **configuration of appliances is specified**:

- ▶ Do not change the door stop.

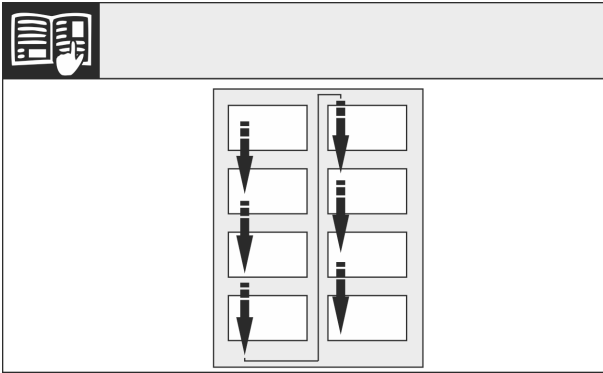


Fig. 5
Observe the reading direction.

14.1 Taking off the soft stop mechanism

For appliances with soft stop mechanism:

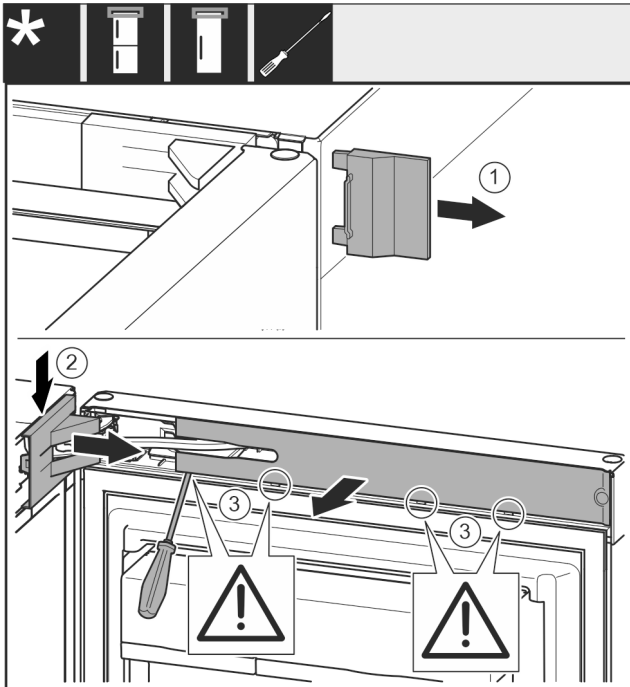


Fig. 6
▶ Open the door.

NOTICE

Risk of damage!
If the door seal is damaged the door may not close properly and the level of cooling is insufficient.

- ▶ Do not damage the door seal with the screwdriver!
- ▶ Remove the outer cover. Fig. 6 (1)
- ▶ Disengage and release the bearing bracket cover. Remove the bearing bracket cover. Fig. 6 (2)
- ▶ Unlatch the panel with a slotted screwdriver and swivel it to one side. Fig. 6 (3)

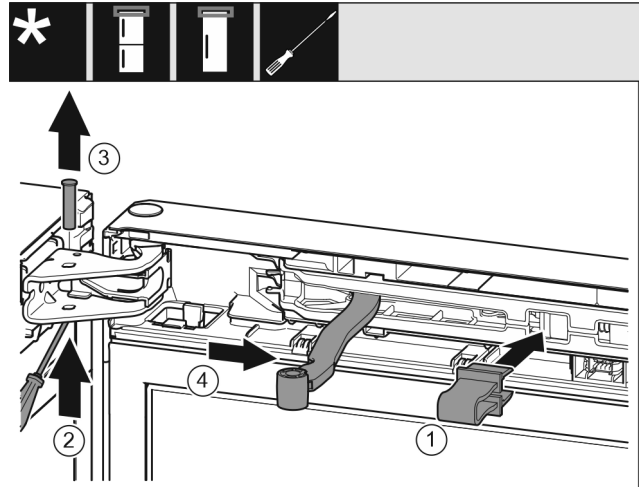


Fig. 7



CAUTION

Crushing hazard from the folding bracket!

- ▶ Engage the locking device.

- ▶ Engage the locking device in the opening. Fig. 7 (1)
- ▶ Unscrew the bolt with a screwdriver. Fig. 7 (2)
- ▶ Remove the bolt upwards. Fig. 7 (3)
- ▶ Turn the hinge in the direction of the door. Fig. 7 (4)

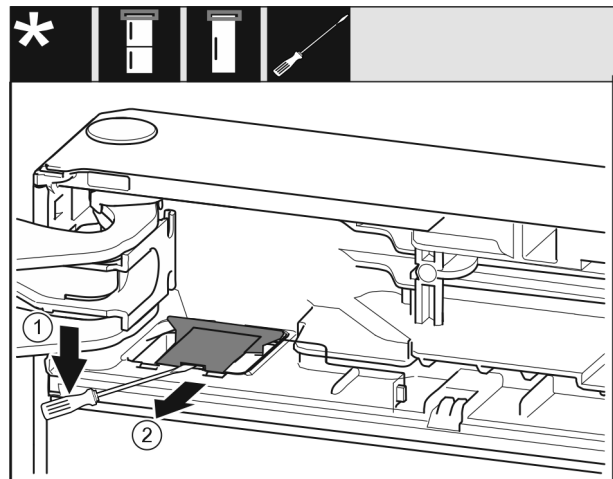


Fig. 8
▶ Unlatch the cover with a slotted screwdriver and lift it up. Fig. 8 (1)
▶ Take out the cover. Fig. 8 (2)

Reversing the door

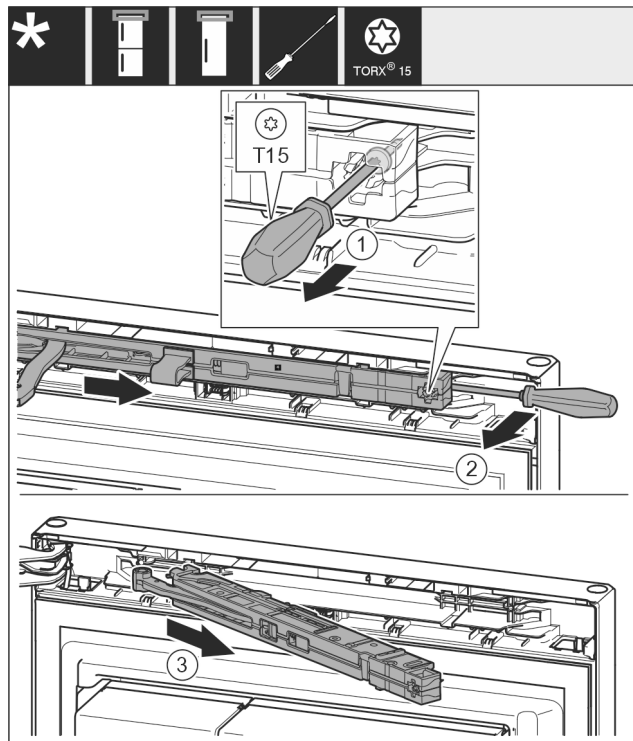


Fig. 9

- ▶ Undo the soft stop mechanism screw with a T15 screwdriver approx. 14 mm (9/16 in). Fig. 9 (1)
- ▶ Insert a screwdriver behind the soft stop mechanism on the handle side and rotate the unit forwards. Fig. 9 (2)
- ▶ Pull out the soft stop unit. Fig. 9 (3)

14.2 Removing the door

Note

- ▶ To prevent food items from falling out, take all food out of the door racks before removing the door.

For all appliances:

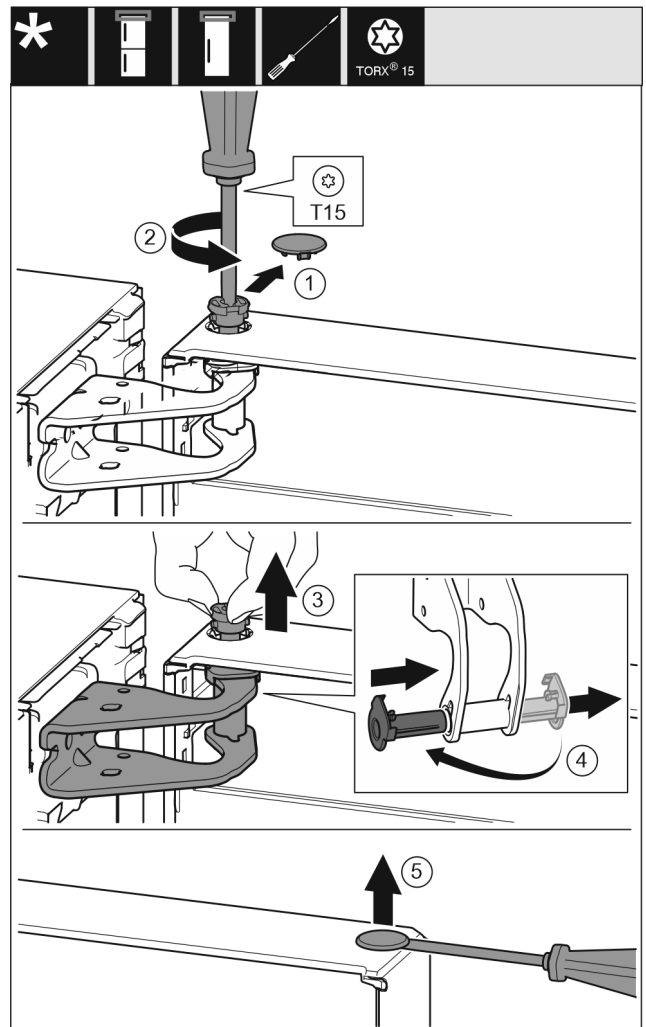


Fig. 10

CAUTION

Risk of injury if the door tips out!

- ▶ Keep a steady grip on the door.
- ▶ Set the door down carefully.

- ▶ Carefully remove the protective cover. Fig. 10 (1)
- ▶ Loosen the bolts slightly with a T15 screwdriver. Fig. 10 (2)
- ▶ Hold the door and remove the bolts with your fingers. Fig. 10 (3)
- ▶ Pull the bearing bush out of the guide. Insert from the other side and latch into place. Fig. 10 (4)
- ▶ Lift the door and place it to one side.
- ▶ Carefully lift the plugs out of the door bearing bush with a slotted screwdriver and remove them. Fig. 10 (5)

14.3 Moving the upper bearing parts to the other side

For all appliances:

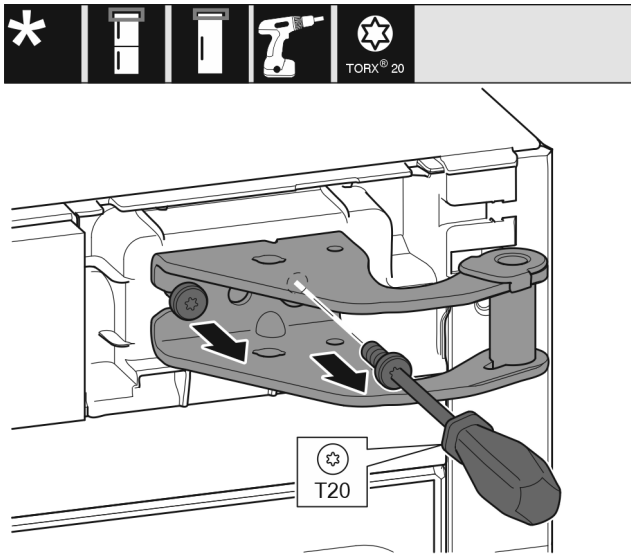


Fig. 11

- ▶ Remove both screws with a T20 screwdriver.
- ▶ Lift and remove the bearing bracket.

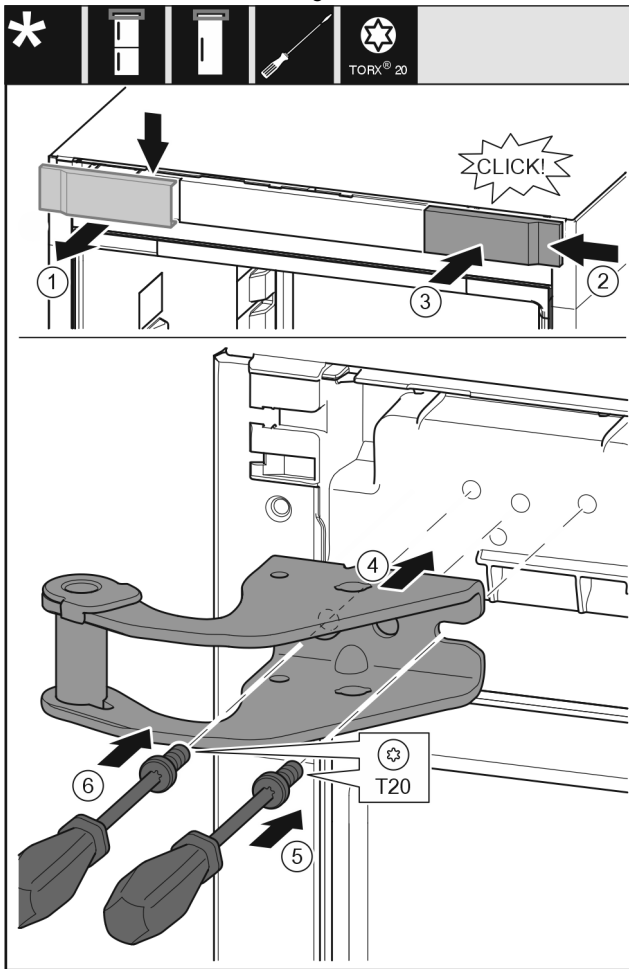


Fig. 12

- ▶ Take off the cover to the front from above. Fig. 12 (1)
- ▶ Rotate the cover 180° and clip onto the other side from the right. Fig. 12 (2)
- ▶ Latch the cover into place. Fig. 12 (3)

- ▶ Position the upper bearing bracket. Fig. 12 (4)
- ▶ Insert the screw with a T20 screwdriver and tighten it. Fig. 12 (5)
- ▶ Insert the screw with a T20 screwdriver and tighten it. Fig. 12 (6)

14.4 Moving the lower bearing parts to the other side

For all appliances:

For all appliances:

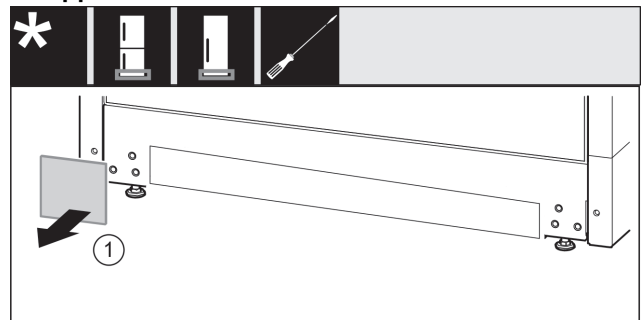


Fig. 13

- ▶ Take off the cover. Fig. 13 (1)

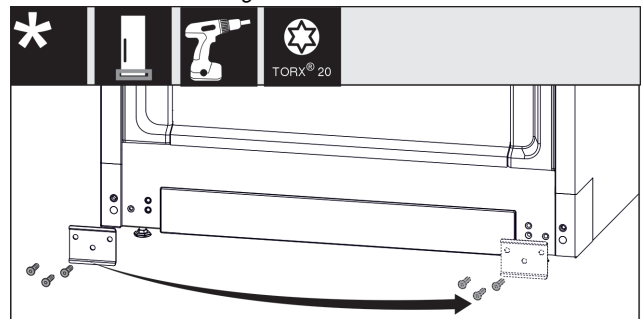


Fig. 14

- ▶ Unscrew the metal plate, move it to the other side and screw it on again. Fig. 14 (1)

Reversing the door

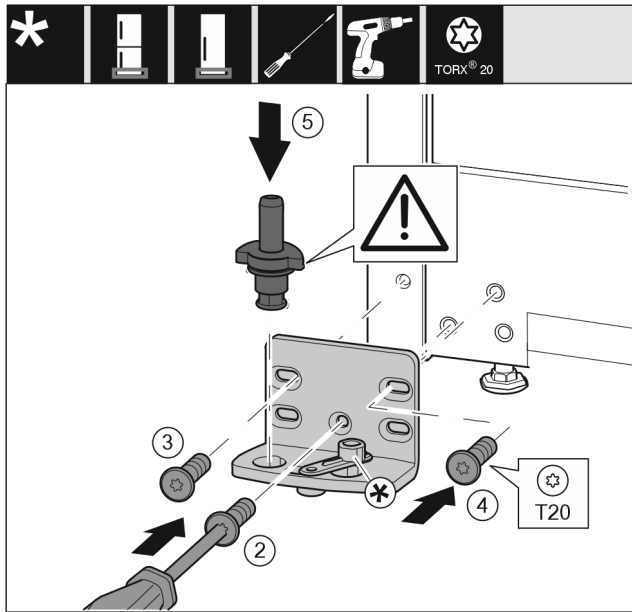


Fig. 15

- ▶ Place the bearing bracket on the other side and screw it in using the T20 screwdriver. Start with screw 2 at the bottom in the middle. Fig. 15 (2)
- ▶ Screw in screws 3 and 4. Fig. 15 (3,4)
- ▶ Insert the bearing pin completely. Make sure that the latching lug is pointing to the rear. Fig. 15 (5)

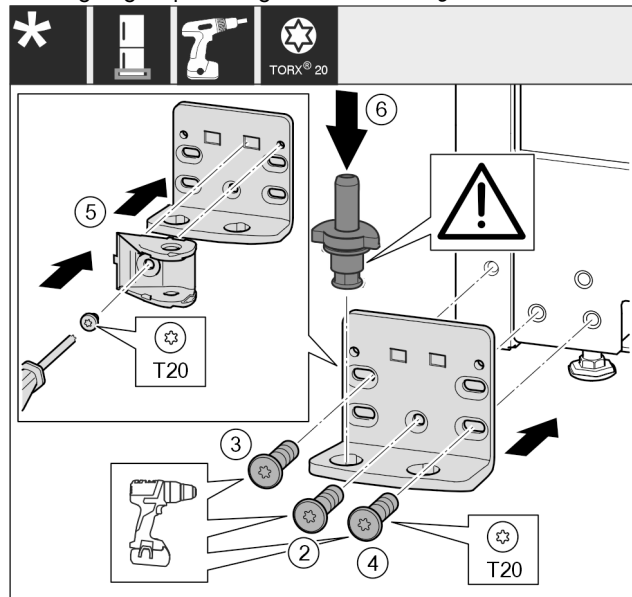


Fig. 16

- ▶ Place the bearing bracket on the other side and screw it in using the T20 screwdriver. Start with screw 2 at the bottom in the middle. Fig. 16 (2)
- ▶ Screw in screws 3 and 4. Fig. 16 (3,4)

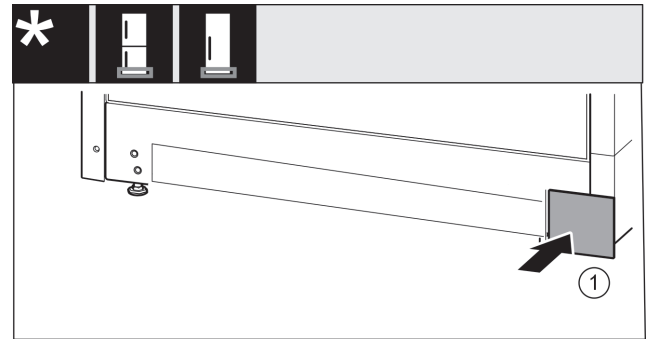


Fig. 17

- ▶ Put back the cover on the other side. Fig. 17 (1)

14.5 Moving the handles to the other side

For all appliances:

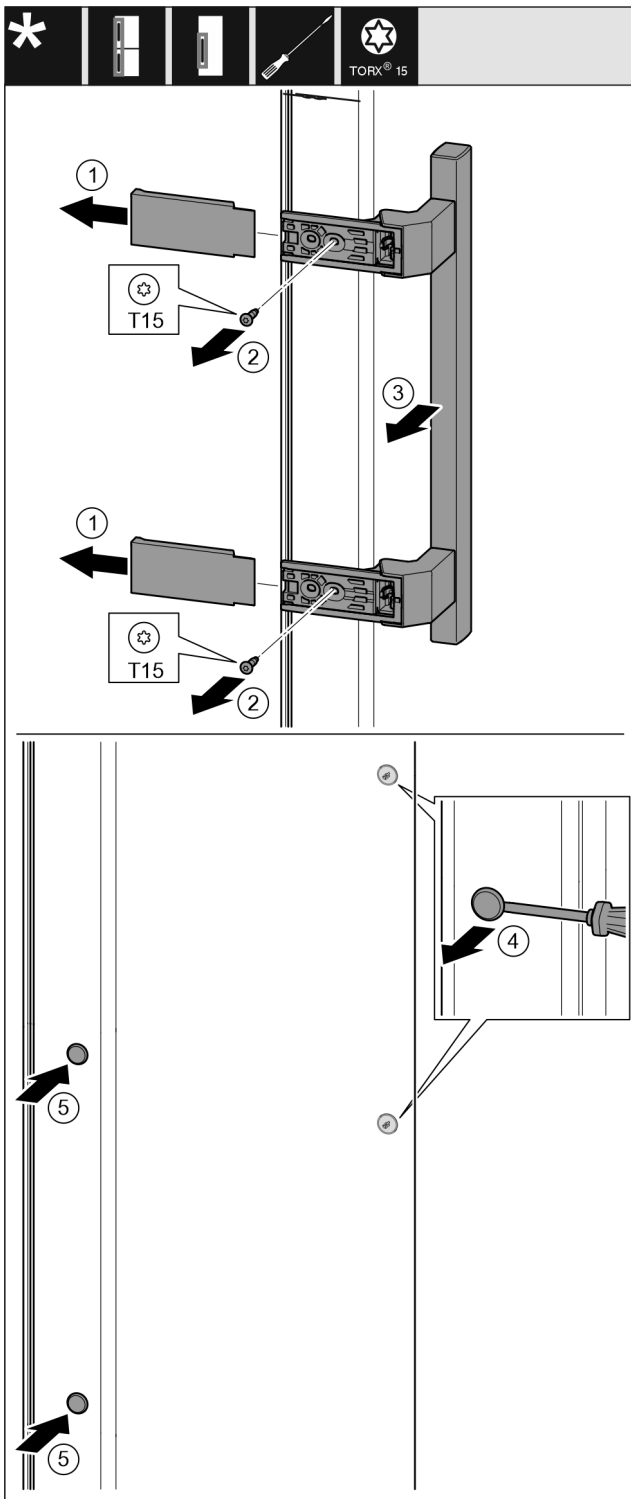


Fig. 18

- ▶ Pull off the cover. Fig. 18 (1)
- ▶ Remove the screws with the T15 screwdriver. Fig. 18 (2)
- ▶ Remove the handle. Fig. 18 (3)
- ▶ Carefully lift up the side plugs with a slotted screwdriver and pull them out. Fig. 18 (4)
- ▶ Insert the plugs again on the other side. Fig. 18 (5)

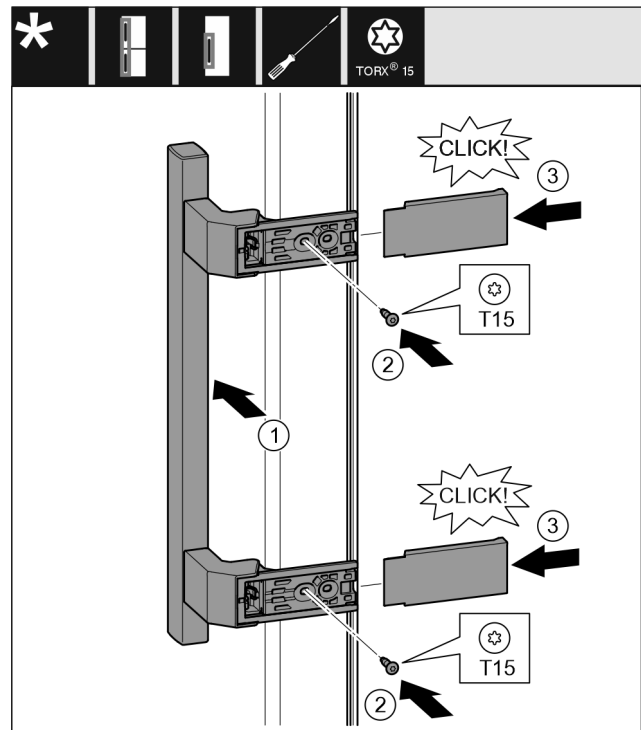


Fig. 19

- ▶ Position the handle on the opposite side. Fig. 19 (1)
- ▷ The screw holes must be exactly above each other.
- ▶ Tighten the screws using the T15 screwdriver. Fig. 19 (2)
- ▶ Position the covers on the side and push them on. Fig. 19 (3)
- ▷ Ensure that they latch into place correctly.

14.6 Fitting the door

For all appliances:

Reversing the door

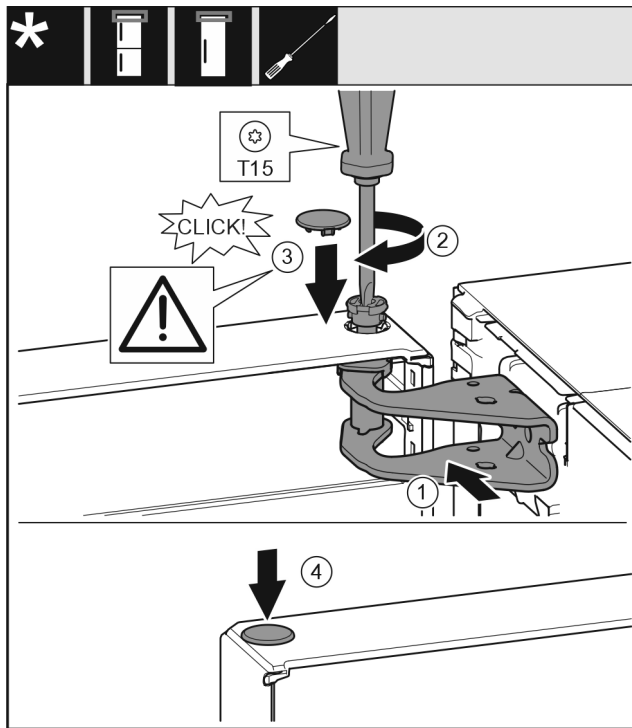


Fig. 20

- ▶ Place the door on the bottom bearing pins.
- ▶ Align the top of the door with opening in the bearing bracket. Fig. 20 (1)
- ▶ Insert the bolt and tighten with a T15 screwdriver. Fig. 20 (2)
- ▶ Fit the protective cover to protect the door: Insert the protective cover and check that it lies flush on the door. If not, insert the bolt fully. Fig. 20 (3)
- ▶ Insert the plugs. Fig. 20 (4)

14.7 Aligning the door

For all appliances:



WARNING

Danger of injury due to door falling out!
If the bearing parts are not screwed on tightly enough, the door may fall out. This can result in serious injuries. In addition, the door may not close causing the appliance to cool improperly.

- ▶ Screw the bearing brackets on firmly with 4 Nm (3 ft lb).
- ▶ Check all screws and retighten them if necessary.
- ▶ Align the doors flush with the appliance housing using the two slots in the lower bearing bracket, if needed. To do this undo the middle screw in the bottom bearing bracket with the T20 tool supplied. Undo the remaining screws a little with the T20 tool or with a T20 screwdriver and align via the slots.
- ▶ Prop up the door: Screw out the adjustable foot on the bearing bracket using the open-ended wrench SW10 until it comes into contact with the floor, then turn an additional 90°.

14.8 Fitting the soft stop mechanism

For appliances with soft stop mechanism:

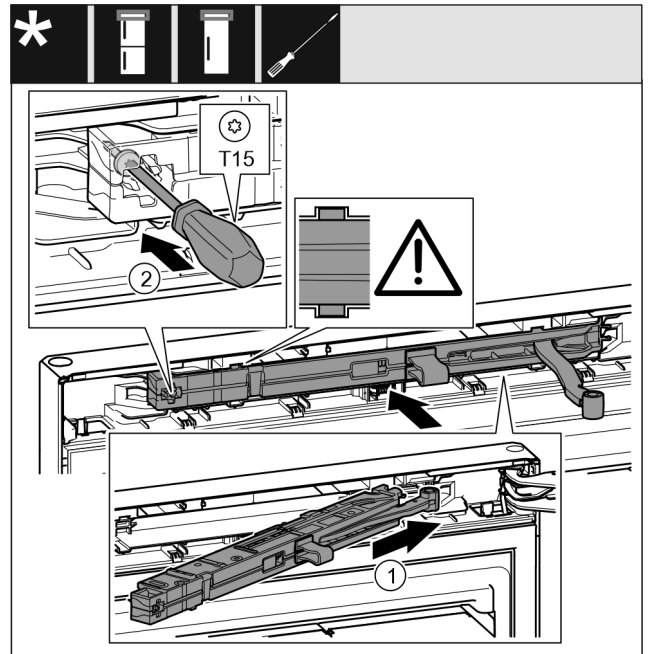


Fig. 21

- ▶ Slide the soft stop mechanism on the bearing bracket side at an angle into the recess as far as it will go. Fig. 21 (1)
- ▶ Slide the unit in fully.
- ▶ The unit is positioned correctly when the rib on the soft stop unit is in the guide on the housing.
- ▶ Tighten the screw using a T15 screwdriver. Fig. 21 (2)

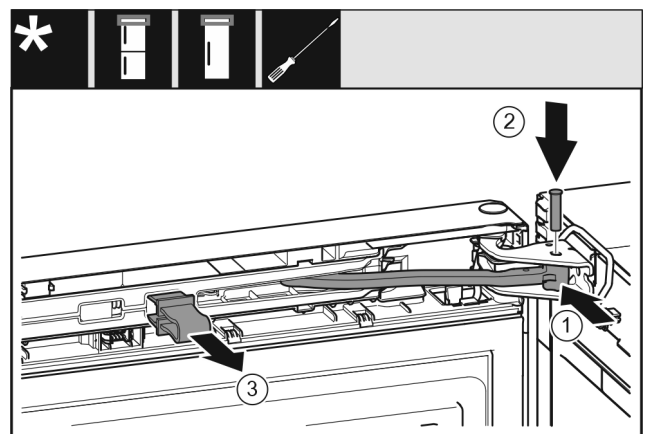


Fig. 22

- ▶ The door is open 90°.
- ▶ Turn the hinge in the bearing bracket. Fig. 22 (1)
- ▶ Insert the bolt in the bearing bracket and hinge. Make sure that the latching lug is sitting correctly in the groove. Fig. 22 (2)
- ▶ Remove the locking device. Fig. 22 (3)

Connecting the appliance to the water supply

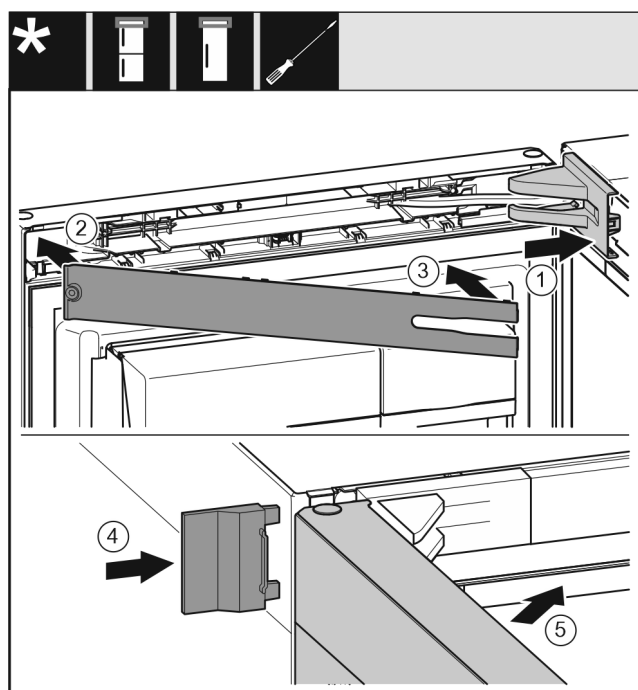


Fig. 23

- ▶ Position the bearing bracket cover and engage it. If necessary push it apart carefully. Fig. 23 (1)
- ▶ Place on the panel. Fig. 23 (2)
- ▶ Swing in the panel and latch it into place. Fig. 23 (3)
- ▶ Slide on the outer cover. Fig. 23 (4)
- ▶ Close the upper door. Fig. 23 (5)

15 Connecting the appliance to the water supply

Make sure that the following requirements are fulfilled:

- ❑ The dimensions for the water supply connection are known and complied with.
- ❑ The correct water pressure is maintained.
- ❑ Water is supplied to the appliance via a cold water pipe that can withstand the operating pressure and is connected to the drinking water supply.
- ❑ All equipment and devices used for the water supply comply with the applicable regulations in the country of use.
- ❑ The back of the appliance is accessible so that you can connect the appliance to the drinking water supply.
- ❑ A coupler between the R3/4 connection thread and the 1/4" OD copper pipe is supplied.
- ❑ There is a screen filter with a seal in the coupler. The screen filter with a seal is supplied.
- ❑ A **1/4" OD copper pipe** is used to connect the water supply to the solenoid valve. **This is not supplied with the appliance.**

- ❑ There is an adaptor between the hose 1/4" OD copper pipe and the domestic water connection so that you can turn off the water supply if necessary.
- ❑ The adaptor is not directly behind the appliance and is easily accessible. This way, you can push the appliance as close as possible to the wall and can quickly turn off the faucet if necessary.



WARNING

Risk of electric shock from water!

- ▶ Before connecting to the water hose: Disconnect the appliance from the mains.
- ▶ Before connecting to water lines: Shut off the water supply.
- ▶ Make sure that only qualified personnel connect the device to the drinking water supply.



WARNING

Risk of poisoning due to contaminated water!

- ▶ Connect to potable water supply only.

15.1 Connecting the water pipe

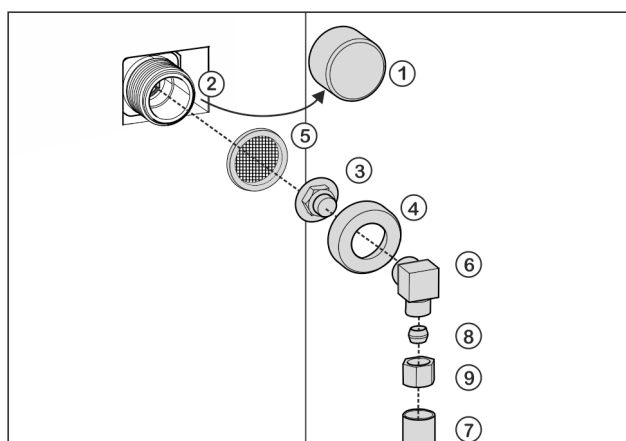


Fig. 24

- | | |
|--------------------|--|
| (1) Cap | (6) Angle piece |
| (2) Solenoid valve | (7) Water pipe (e. g. 1/4" OD copper pipe) |
| (3) Coupler | (8) Clamp ring |
| (4) Union nut | (9) Nut |
| (5) Screen filter | |

NOTICE

Risk of damage from incorrect installation!

- ▶ Do not damage or kink the water pipe (e. g. copper pipe) during installation.
- ▶ Do not damage or kink the water pipe (e. g. copper pipe) when setting up the appliance.

Connecting the coupler to the appliance:

- ▶ Remove cap Fig. 24 (1) from solenoid valve Fig. 24 (2).
- ▶ Insert coupler Fig. 24 (3) into union nut Fig. 24 (4).

Connecting the appliance

NOTICE

The filter can be damaged if not correctly fitted!

- ▶ Observe the following instruction when putting in the filter.

- ▶ Insert the filter *Fig. 24 (5)* with the recess pointing down towards the coupler *Fig. 24 (3)*.

NOTICE

The thread can be damaged if the union nut is over-tightened!

- ▶ Observe the following instructions for fitting the union nut on the solenoid valve.

- ▶ Screw the union nut *Fig. 24 (4)* by hand onto the thread of the solenoid valve *Fig. 24 (2)* until it is firmly in place.

- ▷ The coupler is connected to the appliance.

90° bend in the water connection: Connecting the water hose to the elbow connector:

- ▶ Screw on angle piece *Fig. 24 (6)*.
- ▶ Connect the water pipe *Fig. 24 (7)* (e. g. 1/4" OD copper pipe) with the clamp ring *Fig. 24 (8)* and nut *Fig. 24 (9)* to the elbow connector *Fig. 24 (6)*.

- ▷ The water pipe is connected to the elbow connector.

-or-

No bend in the water connection: Connecting the water hose to the coupler:

- ▶ If necessary: Fasten the water pipe *Fig. 24 (7)* to the housing with the guide clip.
- ▶ Put angle piece *Fig. 24 (6)* to one side.
- ▶ Connect the water pipe *Fig. 24 (7)* (e. g. 1/4" OD copper pipe) with the clamp ring *Fig. 24 (8)* and nut *Fig. 24 (9)* to the coupler *Fig. 24 (3)*.

- ▶ If necessary: Fasten the water pipe *Fig. 24 (7)* to the housing with the guide clip.

- ▷ The water pipe is connected to the coupler.

Fitting the adaptor between the water pipe and the water supply:

- ▶ Connect the water pipe (e. g. 1/4" OD copper pipe) to the water supply with a suitable adaptor.

- ▷ The water is connected to the water supply with an adaptor.

15.2 Check the water system

Before you completely install the appliance, Liebherr recommends checking the water system for leaks.

- ▶ Slowly turn on the water feed.
- ▶ Check the hose, water feed and connections for leaks.

- ▷ The water system has now been checked for leaks.

- ▷ The water system is not leaking: You can install up the appliance completely.

Note

IceMaker: Before the first use, you must clean the IceMaker. (see Quick Start Guide or operating instructions)

16 Connecting the appliance



WARNING

Danger of fire due to incorrect connection!

Burns.

Damage to the appliance.

- ▶ Do not use an extension cord.
- ▶ Do not use a multipoint connector strip.

NOTICE

Danger of damage to incorrect connection!

Damage to the appliance.

- ▶ Do not connect the appliance to a stand-alone inverter, e.g. solar power systems and petrol generators.

Note

Only use the mains cable supplied.

- ▶ A longer mains cable can be ordered from Customer Service.

Make sure that the following requirements are fulfilled:

- The type of current and voltage at the installation site complies with the information on the serial tag .
- The socket is grounded and fused in accordance with regulations.
- The tripping current for the fuse is between 10 and 16 A.
- The socket is easily accessible.
- The socket is not located behind the appliance but in areas a or b (a, b, c).
- ▶ Check the electrical connection.
- ▶ Insert the appliance plug (G) on the rear side of the appliance. Ensure that they latch into place correctly.
- ▶ Connect the mains plug to the power supply.
- ▷ The Liebherr logo appears on the screen.
- ▷ The display switches to the standby symbol.



home.liebherr.com/fridge-manuals

EN Freezer

Issue date: 20240905

Part number index: 7080532-00

For Service in the U.S.: Liebherr Service Center
Toll Free: 1-866-LIEBHER or 1-866-543-2437
Service-appliances.us@liebherr.com
PlusOne Solutions, Inc.
3501 Quadrangle Blvd, Suite 120
Orlando, FL 32817

For Service in Canada: Liebherr Service Center
Toll Free: 1-888-LIEBHER or 1-888-543-2437
www.euro-parts.ca
EURO-PARTS CANADA
39822 Belgrave Road, Belgrave, Ontario, N0G 1E0
Phone: (519) 357-3320 | Fax: (519) 357-1326



Installation Guide

Quality, Design and Innovation



home.liebherr.com/fridge-manuals






LIEBHERR



General safety instructions

Contents

1	General safety instructions.....	2
2	Installation dimensions.....	3
3	Ventilation requirements.....	3
4	Water connection*.....	3
4.1	Water pressure.....	3
5	Transporting the appliance.....	4
6	Unpacking the appliance.....	4
7	Disposal of packaging.....	4
8	Reversing the door.....	4
8.1	Taking off the soft stop mechanism.....	4
8.2	Removing the door.....	6
8.3	Moving the upper bearing parts to the other side.....	6
8.4	Moving the lower bearing parts to the other side.....	7
8.5	Moving the handles to the other side*.....	8
8.6	Fitting the door.....	9
8.7	Aligning the door.....	10
8.8	Fitting the soft stop mechanism.....	10
9	Connecting the appliance to the water supply*.....	11
9.1	Connecting the water pipe*.....	11
9.2	Check the water system.....	12
10	Water tank*.....	12
10.1	Inserting the water tank.....	12
11	Water filter*.....	12
11.1	Installing the water filter.....	13

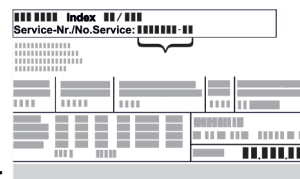
The manufacturer is constantly working to improve all types and models. Therefore, please be aware that we reserve the right to make changes to the shape, equipment and technology.

Symbol	Explanation
	Read instructions Please read the information in these instructions carefully to understand all of the benefits of your new appliance.
	Check appliance Check all parts for transport damage. If you have any complaints, please contact your agent or customer service.
	Differences These instructions apply to a range of models, so there may be differences. Sections that apply to certain models only are indicated by an asterisk (*).

Symbol	Explanation
	Instructions and results Instructions are marked with a ▶. Results are marked with a ▷.
	Videos Videos about the appliances are available on the YouTube channel of Liebherr-Hausgeräte.



1 General safety instructions


- Please keep this assembly manual in a safe place so you can refer back to it at any time.
- If you pass the appliance on, please hand this assembly manual to the new owner.
- Read this assembly manual before installation and use in order to use the appliance safely and correctly. Follow the instructions, safety instructions and warning messages included at all times. They are important for ensuring you can operate and install the appliance safely and without any problems.
- First read the general safety instructions in the “General safety instructions” section of the **operating instructions**, which accompany these installation instructions, and follow them. If you cannot find the **operating instructions**, you can download the **operating instructions** from the internet by entering the service number at home.liebherr.com/fridge-manuals. The service number can be found on the serial



tag:

- **Observe the warning messages and other detailed information in the other sections when installing the appliance:**

	DANGER	indicates a hazardous situation, which if not avoided, will result in death or serious injury.
	WARNING	indicates a hazardous situation, which if not avoided, could result in death or serious injury.

	CAUTION	indicates a hazardous situation, which if not avoided, will result in minor or moderate injury.
	NOTICE	indicates a hazardous situation, which if not avoided, could result in damage to property.
	Note	indicates useful advice and tips.

2 Installation dimensions

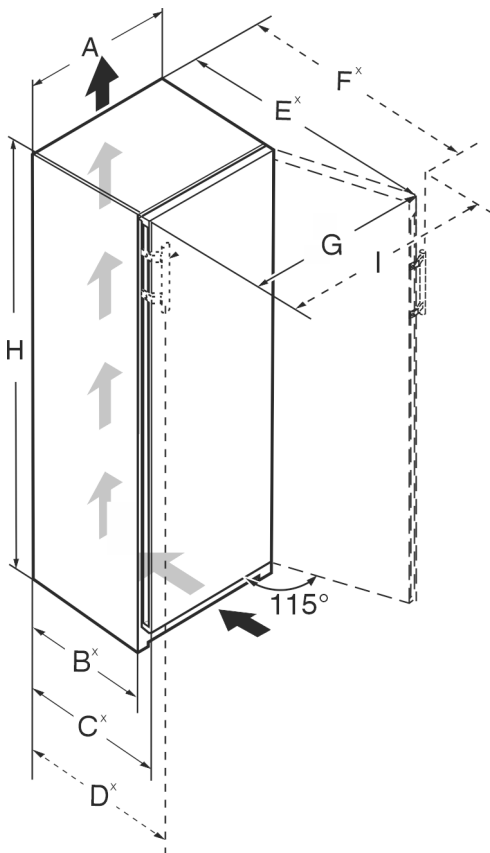


Fig. 1

SRB5280	
H	1855 mm (73 1/16 in)
A	597 mm (23 1/2 in)
B	611 mm (24 1/16 in)*
C	675 mm (26 9/16 in)*
D	–
I	848 mm (33 3/8 in)
G	–
F	1176 mm (46 5/16 in)*

SRB5290	
H	1855 mm (73 1/16 in)
A	597 mm (23 1/2 in)
B	611 mm (24 1/16 in)*
C	675 mm (26 9/16 in)*
D	719 mm (28 5/16 in)*
I	880 mm (34 5/8 in)
G	848 mm (33 3/8 in)
F	1186 mm (46 11/16 in)*
E	1176 mm (46 5/16 in)*

SRB5280	
E	–

* For appliances with supplied wall spacers, the dimension must be increased by 15 mm (5/8 in) .

3 Ventilation requirements

NOTICE

Risk of damage due to overheating in the case of insufficient ventilation!

In the case of insufficient ventilation, the compressor can be damaged.

- ▶ Make sure there is sufficient ventilation.
- ▶ Observe the ventilation requirements.

If the appliance is integrated in a fitted kitchen, the following ventilation requirements must be met:

- The spacing fins on the back of the appliance are used to ensure sufficient ventilation. These must not lie in cavities or recesses in their final installation position.
- Basically, the larger the ventilation gap, the more energy the appliance saves during operation.

4 Water connection*

If your appliance has a fixed water connection, an elbow connector with screen filter is supplied with it.*

Requirements for the water pressure:	(see 4.1 Water pressure)
Make the water connection:	(see 9 Connecting the appliance to the water supply*)

4.1 Water pressure

The water connection line and solenoid valve of the appliance are suitable for a water pressure of up to 1 MPa (10 bar (145.04 psi)).

Transporting the appliance

To ensure that the appliance functions correctly (flow rate, ice cube size, noise level), maintain the following water pressure:

Water pressure:*		
bar*	psi*	MPa*
1.5 to 6.2	21.76 to 87.02	0.15 to 0.62

Water pressure if using the water filter:*		
bar*	psi*	MPa*
2.8 to 6.2	40 to 90	0.28 to 0.62

If the pressure is higher than 6.2 bar (89.92 psi):

- ▶ Connect a pressure reducer.
- ▶ Make the water connection. (see 9 Connecting the appliance to the water supply*)

5 Transporting the appliance

Observe the following when transporting the appliance:

- ▶ Transport the appliance upright.
- ▶ Use two people when transporting the appliance.

During the first use:

- ▶ Transport the appliance packaged.

During appliance transport or at first use (e.g. when moving or cleaning):

- ▶ Empty the appliance.
- ▶ Secure the door against undesired opening.

6 Unpacking the appliance

If the appliance is damaged check with the supplier immediately before connecting it.

- ▶ Check the appliance and packaging for damage during transport. If you suspect any damage, please contact your supplier immediately.
- ▶ Remove all materials that could prevent it from being installed properly or prevent proper ventilation from the back or the side panels of the appliance.
- ▶ Remove all protective films from the appliance. Do not use sharp or pointed objects for this.

7 Disposal of packaging



WARNING

Danger of suffocation from packaging materials and films!

- ▶ Do not allow children to play with packaging materials.

The packaging is made from recyclable materials:

- Corrugated card/cardboard
- Parts made of foamed polystyrene
- Films and bags from polyethylene

- Packing bands from polypropylene
- Wood frame nailed together with a polyethylene window*
- ▶ Take the packaging material to an official collection point.

8 Reversing the door

Tools



Fig. 2



WARNING

Danger of injury due to door falling out!

If the bearing parts are not screwed on tightly enough, the door may fall out. This can result in serious injuries. In addition, the door may not close causing the appliance to cool improperly.

- ▶ Screw on the bearing brackets/bearing pins tightly with 4 Nm (3 ft lb).
- ▶ Check all screws and retighten them if necessary.

These sections apply for appliances **with a soft stop mechanism**:

- For appliances **with** a soft stop mechanism
- For all appliances

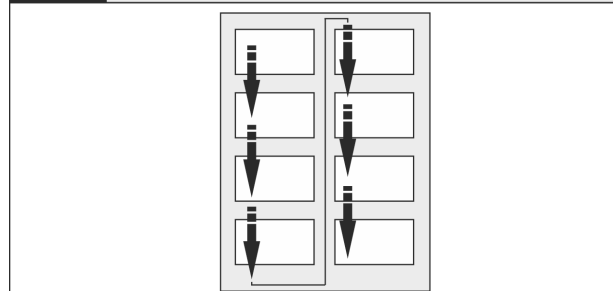


Fig. 3

Observe the reading direction.

8.1 Taking off the soft stop mechanism

For appliances with soft stop mechanism:

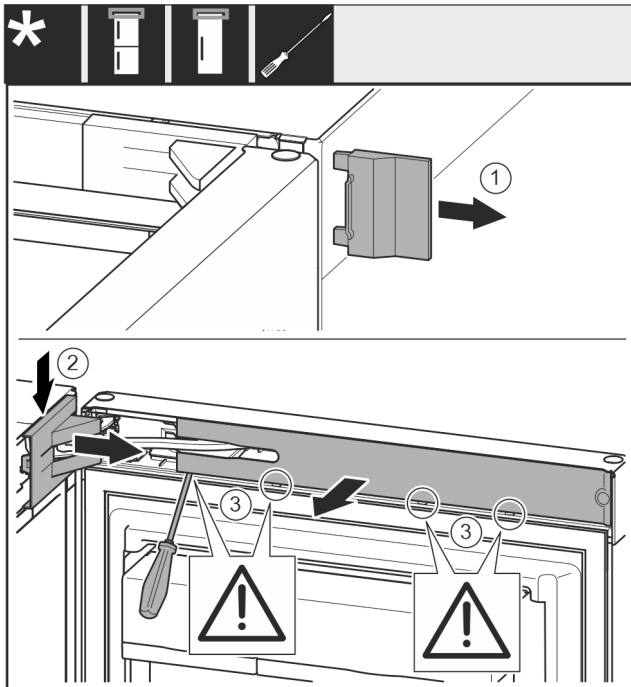


Fig. 4

- ▶ Open the door.

NOTICE

Risk of damage!

If the door seal is damaged the door may not close properly and the level of cooling is insufficient.

- ▶ Do not damage the door seal with the screwdriver!

- ▶ Remove the outer cover. Fig. 4 (1)
- ▶ Disengage and release the bearing bracket cover. Remove the bearing bracket cover. Fig. 4 (2)
- ▶ Unlatch the panel with a slotted screwdriver and swivel it to one side. Fig. 4 (3)

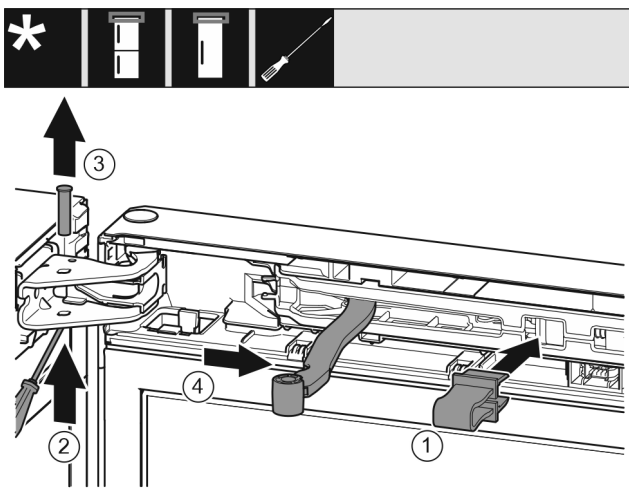


Fig. 5

CAUTION

Crushing hazard from the folding bracket!

- ▶ Engage the locking device.

- ▶ Engage the locking device in the opening. Fig. 5 (1)
- ▶ Unscrew the bolt with a screwdriver. Fig. 5 (2)
- ▶ Remove the bolt upwards. Fig. 5 (3)
- ▶ Turn the hinge in the direction of the door. Fig. 5 (4)

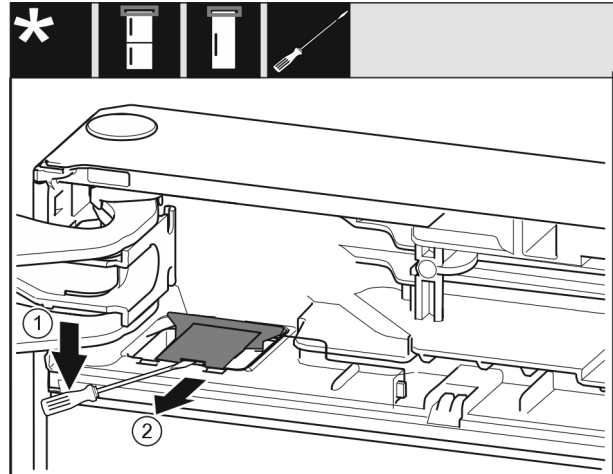


Fig. 6

- ▶ Unlatch the cover with a slotted screwdriver and lift it up. Fig. 6 (1)
- ▶ Take out the cover. Fig. 6 (2)

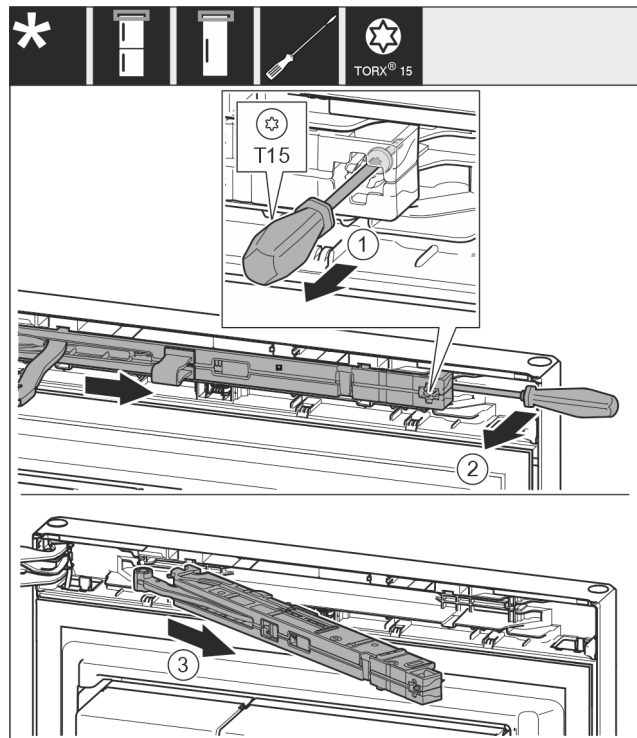


Fig. 7

- ▶ Undo the soft stop mechanism screw with a T15 screwdriver approx. 14 mm (9/16 in). Fig. 7 (1)

Reversing the door

- ▶ Insert a screwdriver behind the soft stop mechanism on the handle side and rotate the unit forwards. *Fig. 7 (2)*
- ▶ Pull out the soft stop unit. *Fig. 7 (3)*

8.2 Removing the door

Note

- ▶ To prevent food items from falling out, take all food out of the door racks before removing the door.

For all appliances:

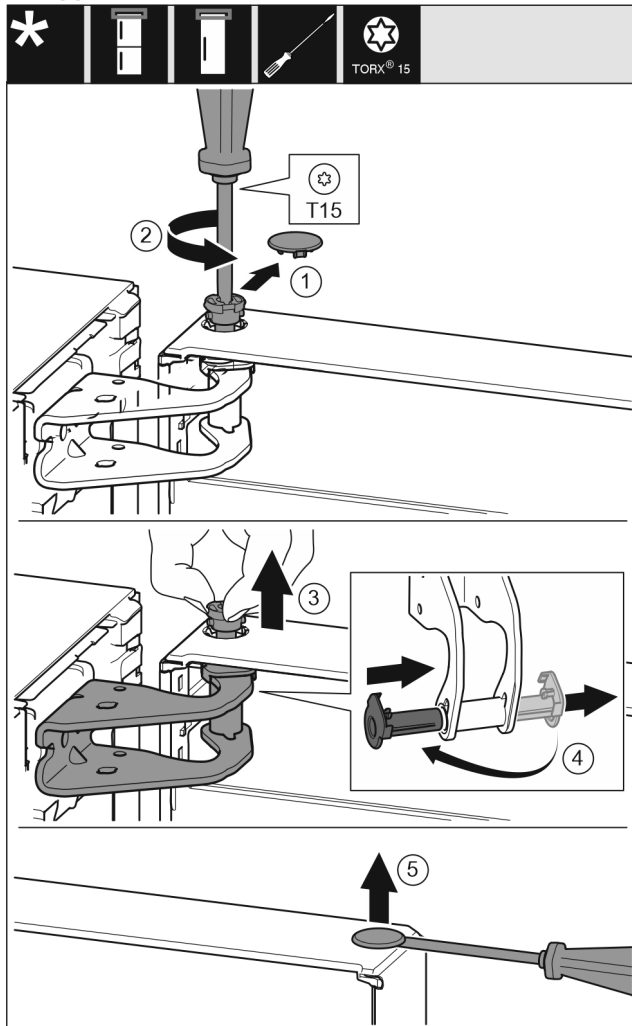


Fig. 8



CAUTION

Risk of injury if the door tips out!

- ▶ Keep a steady grip on the door.
- ▶ Set the door down carefully.
- ▶ Carefully remove the protective cover. *Fig. 8 (1)*
- ▶ Loosen the bolts slightly with a T15 screwdriver. *Fig. 8 (2)*
- ▶ Hold the door and remove the bolts with your fingers. *Fig. 8 (3)*

- ▶ Pull the bearing bush out of the guide. Insert from the other side and latch into place. *Fig. 8 (4)*
- ▶ Lift the door and place it to one side.
- ▶ Carefully lift the plugs out of the door bearing bush with a slotted screwdriver and remove them. *Fig. 8 (5)*

8.3 Moving the upper bearing parts to the other side

For all appliances:

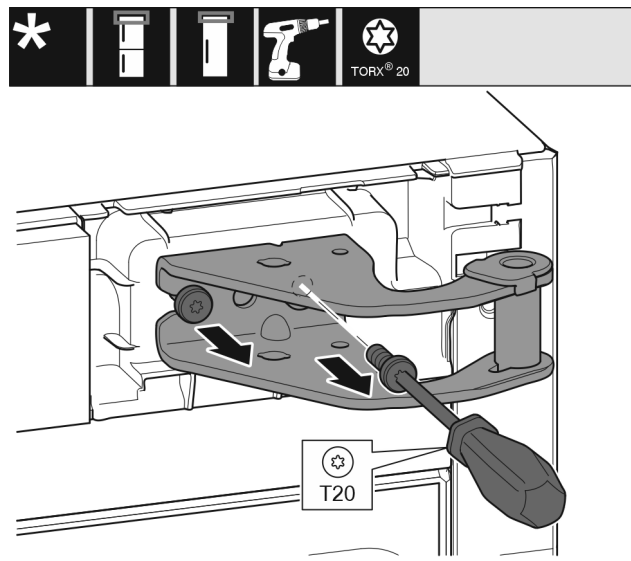


Fig. 9

- ▶ Remove both screws with a T20 screwdriver.
- ▶ Lift and remove the bearing bracket.

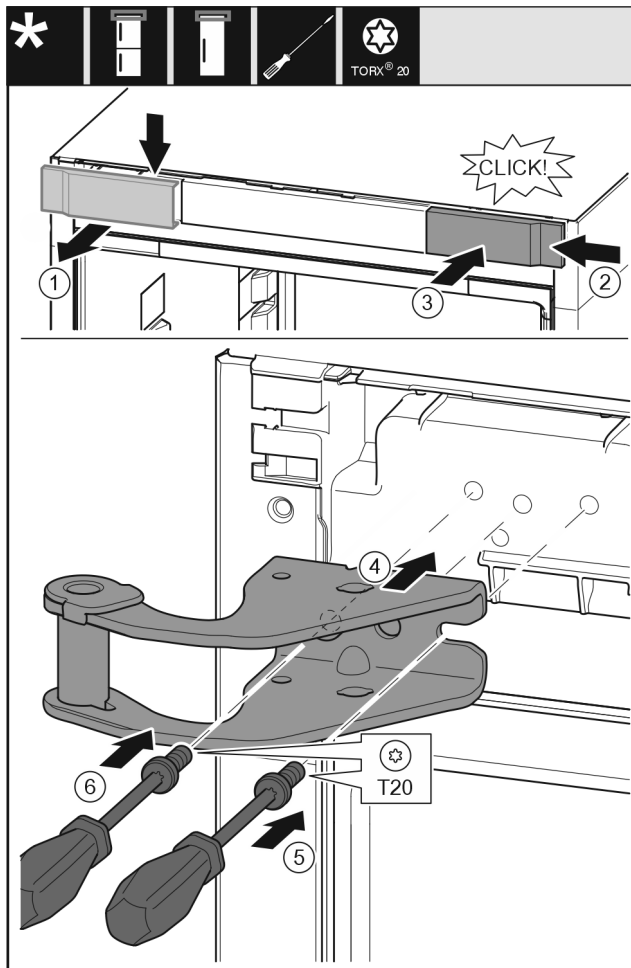


Fig. 10

- ▶ Take off the cover to the front from above. Fig. 10 (1)
- ▶ Rotate the cover 180° and clip onto the other side from the right. Fig. 10 (2)
- ▶ Latch the cover into place. Fig. 10 (3)
- ▶ Position the upper bearing bracket. Fig. 10 (4)
- ▶ Insert the screw with a T20 screwdriver and tighten it. Fig. 10 (5)
- ▶ Insert the screw with a T20 screwdriver and tighten it. Fig. 10 (6)

8.4 Moving the lower bearing parts to the other side

For all appliances:

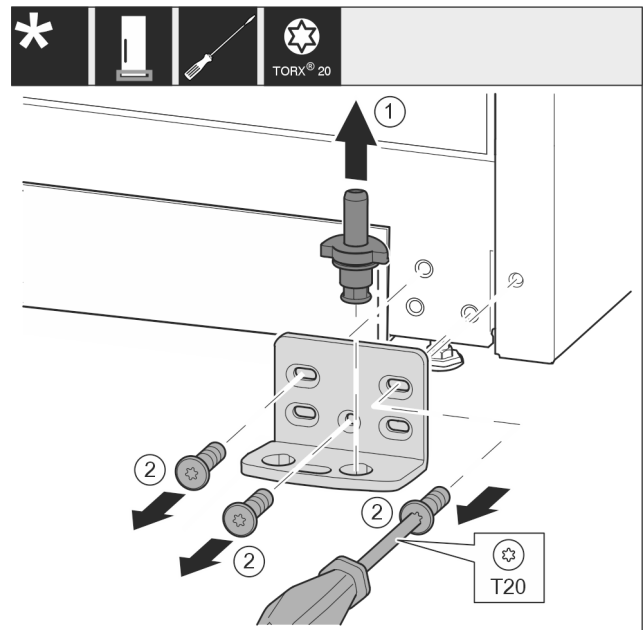


Fig. 11

- ▶ Lift the bearing pin completely upward and remove it. Fig. 11 (1)
- ▶ Remove the screws with the T20 screwdriver and take off the bearing bracket. Fig. 11 (2)

For all appliances:

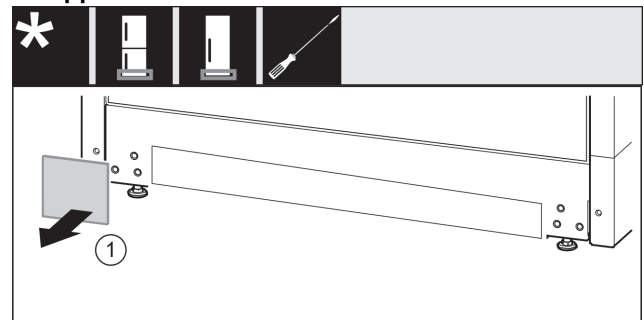


Fig. 12

- ▶ Take off the cover. Fig. 12 (1)

Reversing the door

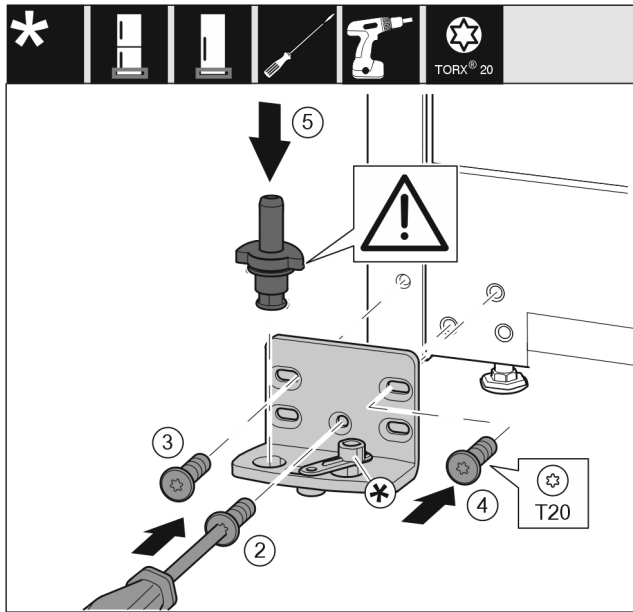


Fig. 13

- ▶ Place the bearing bracket on the other side and screw it in using the T20 screwdriver. Start with screw 2 at the bottom in the middle. Fig. 13 (2)
- ▶ Screw in screws 3 and 4. Fig. 13 (3,4)
- ▶ Insert the bearing pin completely. Make sure that the latching lug is pointing to the rear. Fig. 13 (5)

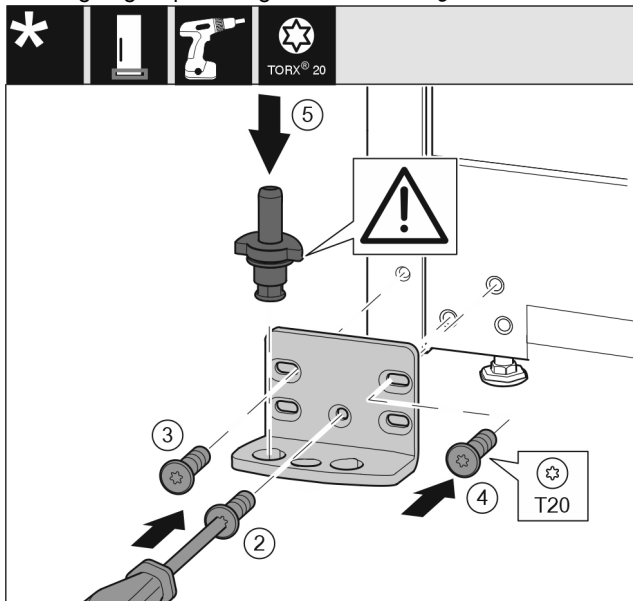


Fig. 14

- ▶ Place the bearing bracket on the other side and screw it in using the T20 screwdriver. Start with screw 2 at the bottom in the middle. Fig. 14 (2)
- ▶ Screw in screws 3 and 4. Fig. 14 (3,4)
- ▶ Insert the bearing pin completely. Make sure that the latching lug is pointing to the rear. Fig. 14 (5)

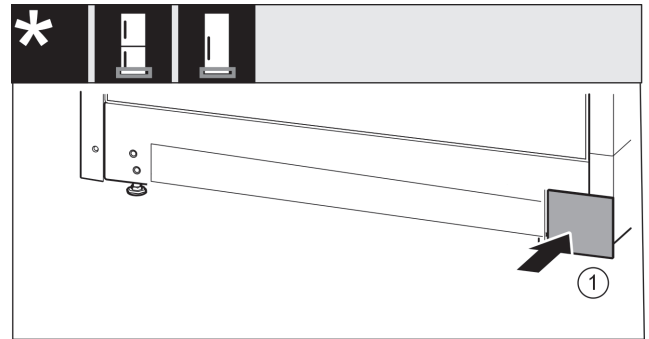


Fig. 15

- ▶ Put back the cover on the other side. Fig. 15 (1)

8.5 Moving the handles to the other side*

For all appliances:

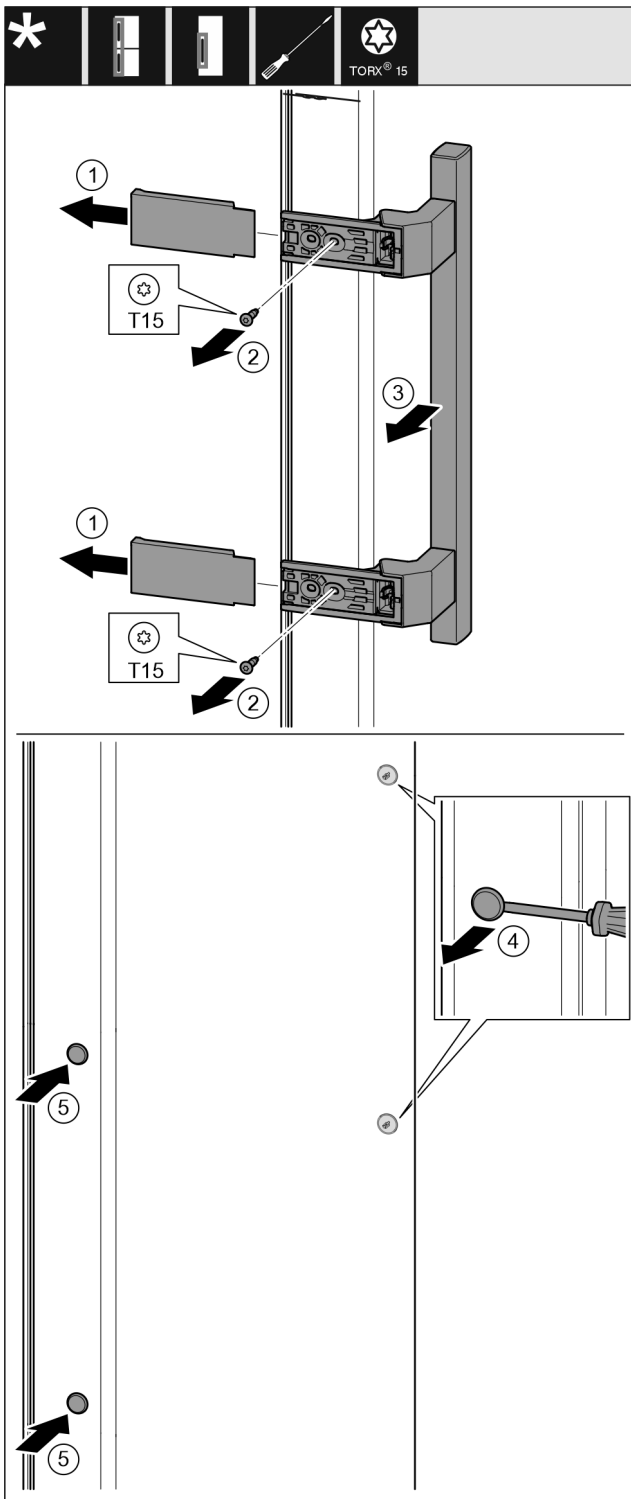


Fig. 16

- ▶ Pull off the cover. Fig. 16 (1)
- ▶ Remove the screws with the T15 screwdriver. Fig. 16 (2)
- ▶ Remove the handle. Fig. 16 (3)
- ▶ Carefully lift up the side plugs with a slotted screwdriver and pull them out. Fig. 16 (4)
- ▶ Insert the plugs again on the other side. Fig. 16 (5)

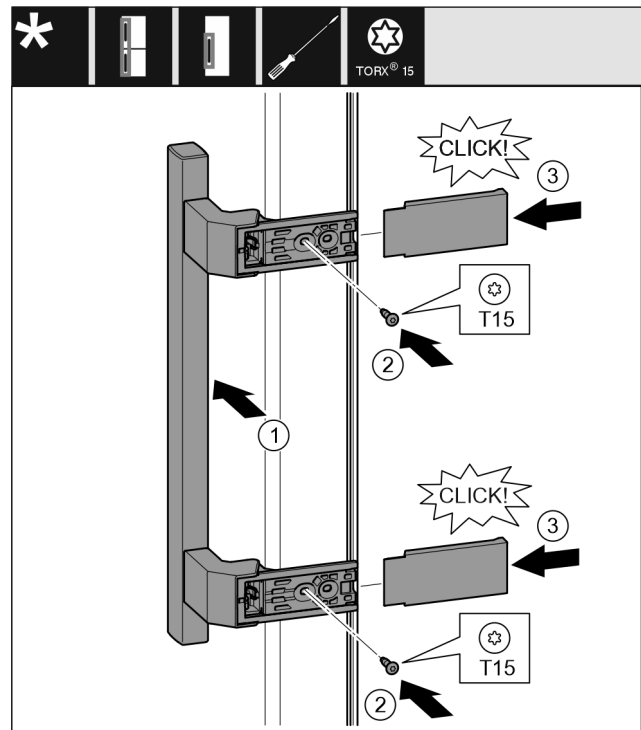


Fig. 17

- ▶ Position the handle on the opposite side. Fig. 17 (1)
- ▷ The screw holes must be exactly above each other.
- ▶ Tighten the screws using the T15 screwdriver. Fig. 17 (2)
- ▶ Position the covers on the side and push them on. Fig. 17 (3)
- ▷ Ensure that they latch into place correctly.

8.6 Fitting the door

For all appliances:

Reversing the door

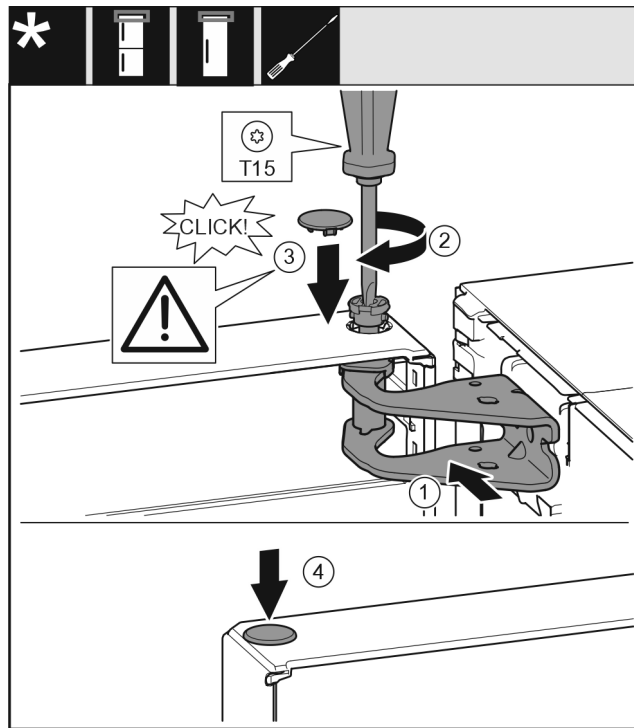


Fig. 18

- ▶ Place the door on the bottom bearing pins.
- ▶ Align the top of the door with opening in the bearing bracket. Fig. 18 (1)
- ▶ Insert the bolt and tighten with a T15 screwdriver. Fig. 18 (2)
- ▶ Fit the protective cover to protect the door: Insert the protective cover and check that it lies flush on the door. If not, insert the bolt fully. Fig. 18 (3)
- ▶ Insert the plugs. Fig. 18 (4)

8.7 Aligning the door

For all appliances:



WARNING

Danger of injury due to door falling out!
If the bearing parts are not screwed on tightly enough, the door may fall out. This can result in serious injuries. In addition, the door may not close causing the appliance to cool improperly.

- ▶ Screw the bearing brackets on firmly with 4 Nm (3 ft lb).
- ▶ Check all screws and retighten them if necessary.
- ▶ Align the doors flush with the appliance housing using the two slots in the lower bearing bracket, if needed. To do this undo the middle screw in the bottom bearing bracket with the T20 tool supplied. Undo the remaining screws a little with the T20 tool or with a T20 screwdriver and align via the slots.
- ▶ Prop up the door: Screw out the adjustable foot on the bearing bracket using the open-ended wrench SW10 until it comes into contact with the floor, then turn an additional 90°.

8.8 Fitting the soft stop mechanism

For appliances with soft stop mechanism:

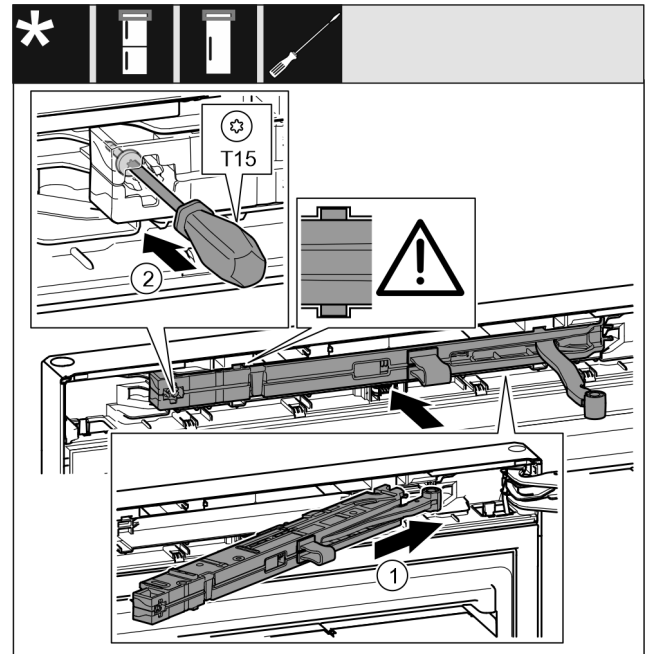


Fig. 19

- ▶ Slide the soft stop mechanism on the bearing bracket side at an angle into the recess as far as it will go. Fig. 19 (1)
- ▶ Slide the unit in fully.
- ▶ The unit is positioned correctly when the rib on the soft stop unit is in the guide on the housing.
- ▶ Tighten the screw using a T15 screwdriver. Fig. 19 (2)

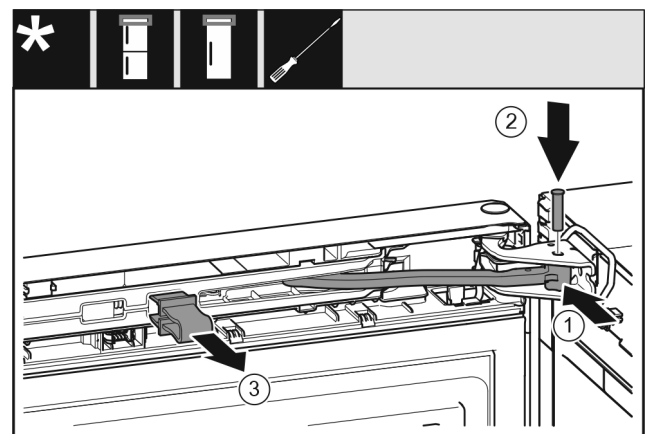


Fig. 20

- ▶ The door is open 90°.
- ▶ Turn the hinge in the bearing bracket. Fig. 20 (1)
- ▶ Insert the bolt in the bearing bracket and hinge. Make sure that the latching lug is sitting correctly in the groove. Fig. 20 (2)
- ▶ Remove the locking device. Fig. 20 (3)

Connecting the appliance to the water supply*

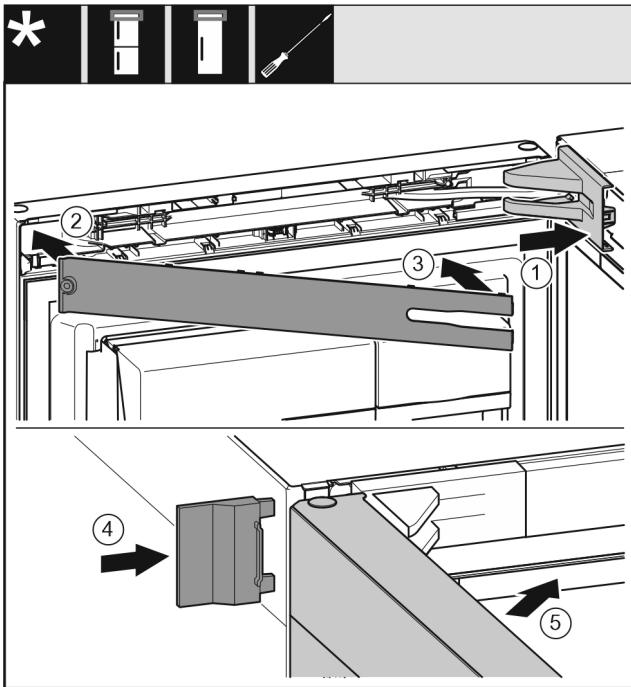


Fig. 21

- ▶ Position the bearing bracket cover and engage it. If necessary push it apart carefully. Fig. 21 (1)
- ▶ Place on the panel. Fig. 21 (2)
- ▶ Swing in the panel and latch it into place. Fig. 21 (3)
- ▶ Slide on the outer cover. Fig. 21 (4)
- ▶ Close the upper door. Fig. 21 (5)

9 Connecting the appliance to the water supply*

Make sure that the following requirements are fulfilled:

- ❑ The dimensions for the water supply connection are known and complied with.
- ❑ The correct water pressure is maintained.
- ❑ Water is supplied to the appliance via a cold water pipe that can withstand the operating pressure and is connected to the drinking water supply.
- ❑ All equipment and devices used for the water supply comply with the applicable regulations in the country of use.
- ❑ The back of the appliance is accessible so that you can connect the appliance to the drinking water supply.
- ❑ A coupler between the R3/4 connection thread and the 1/4" OD copper pipe is supplied.*
- ❑ There is a screen filter with a seal in the coupler. The screen filter with a seal is supplied.*
- ❑ A **1/4" OD copper pipe** is used to connect the water supply to the solenoid valve. **This is not supplied with the appliance.***

- ❑ There is an adaptor between the hose 1/4" OD copper pipe and the domestic water connection so that you can turn off the water supply if necessary.*
- ❑ The adaptor is not directly behind the appliance and is easily accessible. This way, you can push the appliance as close as possible to the wall and can quickly turn off the faucet if necessary.*



WARNING

Risk of electric shock from water!

- ▶ Before connecting to the water hose: Disconnect the appliance from the mains.
- ▶ Before connecting to water lines: Shut off the water supply.
- ▶ Make sure that only qualified personnel connect the device to the drinking water supply.



WARNING

Risk of poisoning due to contaminated water!

- ▶ Connect to potable water supply only.

9.1 Connecting the water pipe*

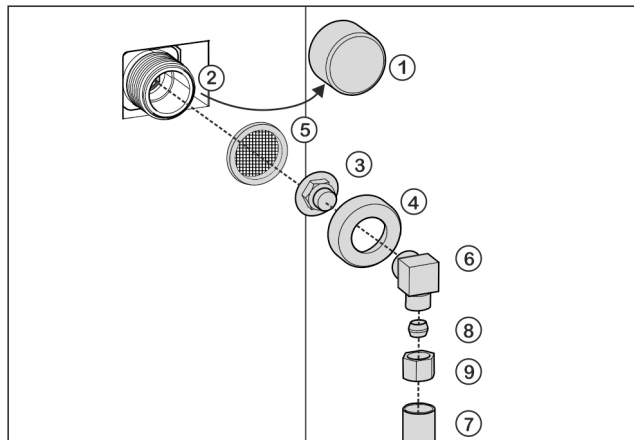


Fig. 22

- | | |
|--------------------|--|
| (1) Cap | (6) Angle piece |
| (2) Solenoid valve | (7) Water pipe (e. g. 1/4" OD copper pipe) |
| (3) Coupler | (8) Clamp ring |
| (4) Union nut | (9) Nut |
| (5) Screen filter | |

NOTICE

Risk of damage from incorrect installation!

- ▶ Do not damage or kink the water pipe (e. g. copper pipe) during installation.
- ▶ Do not damage or kink the water pipe (e. g. copper pipe) when setting up the appliance.

Connecting the coupler to the appliance:

- ▶ Remove cap Fig. 22 (1) from solenoid valve Fig. 22 (2).
- ▶ Insert coupler Fig. 22 (3) into union nut Fig. 22 (4).

Water tank*

NOTICE

The filter can be damaged if not correctly fitted!

- ▶ Observe the following instruction when putting in the filter.
- ▶ Insert the filter *Fig. 22 (5)* with the recess pointing down towards the coupler *Fig. 22 (3)*.

NOTICE

The thread can be damaged if the union nut is over-tightened!

- ▶ Observe the following instructions for fitting the union nut on the solenoid valve.

- ▶ Screw the union nut *Fig. 22 (4)* by hand onto the thread of the solenoid valve *Fig. 22 (2)* until it is firmly in place.
- ▷ The coupler is connected to the appliance.

90° bend in the water connection: Connecting the water hose to the elbow connector:

- ▶ Screw on angle piece *Fig. 22 (6)*.
- ▶ Connect the water pipe *Fig. 22 (7)* [e. g. 1/4" OD copper pipe] with the clamp ring *Fig. 22 (8)* and nut *Fig. 22 (9)* to the elbow connector *Fig. 22 (6)*.
- ▷ The water pipe is connected to the elbow connector.

-or-

No bend in the water connection: Connecting the water hose to the coupler:

- ▶ If necessary: Fasten the water pipe *Fig. 22 (7)* to the housing with the guide clip.
- ▶ Put angle piece *Fig. 22 (6)* to one side.
- ▶ Connect the water pipe *Fig. 22 (7)* [e. g. 1/4" OD copper pipe] with the clamp ring *Fig. 22 (8)* and nut *Fig. 22 (9)* to the coupler *Fig. 22 (3)*.
- ▶ If necessary: Fasten the water pipe *Fig. 22 (7)* to the housing with the guide clip.
- ▷ The water pipe is connected to the coupler.

Fitting the adaptor between the water pipe and the water supply:

- ▶ Connect the water pipe (e. g. 1/4" OD copper pipe) to the water supply with a suitable adaptor.
- ▷ The water is connected to the water supply with an adaptor.

9.2 Check the water system

Before you completely install the appliance, Liebherr recommends checking the water system for leaks.

- ▶ Put in the InfinitySpring water tank. (see 10 Water tank*) *
- ▶ Put in the InfinitySpring water filter. (see 11 Water filter*) *
- ▶ Slowly turn on the water feed.*
- ▶ Check the hose, water feed and connections for leaks.
- ▷ The water system has now been checked for leaks.
- ▷ The water system is not leaking; You can install up the appliance completely.

Note

InfinitySpring: Before the first use, you must put the InfinitySpring into operation. To do this you must bleed and clean the water system. (see Quick Start Guide or operating instructions)*

IceMaker: Before the first use, you must clean the IceMaker. (see Quick Start Guide or operating instructions)

10 Water tank*

Depending on your model, the InfinitySpring water tank is behind the lowest drawer in the fridge or BioFresh compartment

10.1 Inserting the water tank

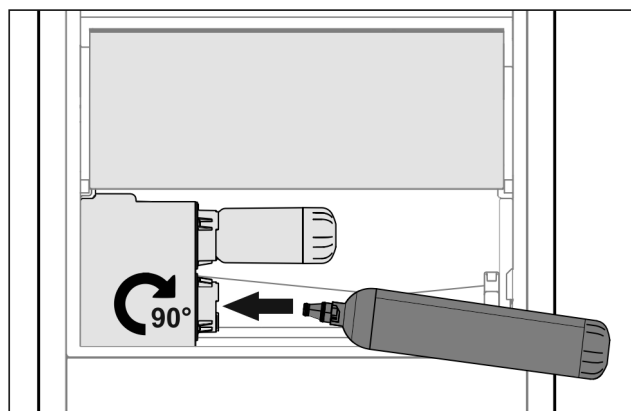


Fig. 23

- ▶ Remove the drawer.
- ▶ Insert the water tank and turn approx. 90° to the right until it engages.
- ▶ Check that the water tank is sealed and no water leaks out.
- ▶ Insert the drawer.
- ▶ Vent the water system (see Installation Instructions, Water Connection)

Instead of the water filter, you can use an additional water tank.

Note

The water tank is available as a spare part.

11 Water filter*

Depending on your model, the water filter is behind the lowest drawer in the fridge or BioFresh compartment.

It absorbs deposits in the water and reduces the taste of chlorine.

- Replace the water filter at least every 6 months under the specified usage conditions or if the flow rate drops significantly.
- The water filter contains carbon and can be disposed of with the regular household waste.

Note

The water filter can be purchased from the Liebherr Service Center. The address for your respective country can be found on the back of the instructions.

11.1 Installing the water filter

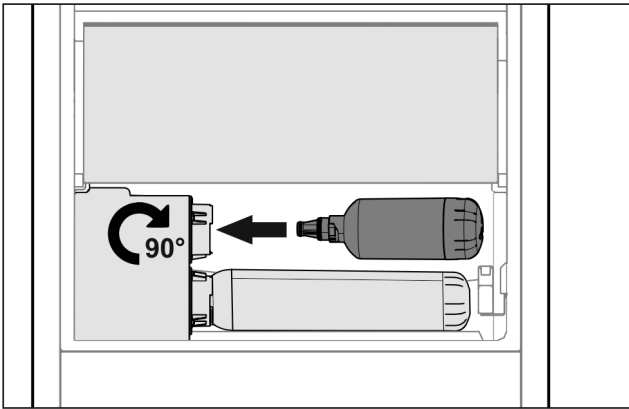


Fig. 24

Make sure that the following conditions are met:

- Water pressure is maintained (see Installation Instructions, Water Connection).
- ▶ Remove the drawer.
- ▶ Insert the water filter and turn clockwise approx. 90° until it engages.
- ▶ Make sure the filter does not leak and no water is coming out.
- ▶ Insert the drawer.



CAUTION

New water filters may contain particulate matter.

- ▶ Draw 3 l (3 qt) of water from the InfinitySpring and dispose of it.

▷ The water filter is now ready for use.



home.liebherr.com/fridge-manuals

EN Refrigerator

Issue date: 20240212

Part number index: 7086347-00

For Service in the U.S.: Liebherr Service Center
Toll Free: 1-866-LIEBHER or 1-866-543-2437
Service-appliances.us@liebherr.com
PlusOne Solutions, Inc.
3501 Quadrangle Blvd, Suite 120
Orlando, FL 32817

For Service in Canada: Liebherr Service Center
Toll Free: 1-888-LIEBHER or 1-888-543-2437
www.euro-parts.ca
EURO-PARTS CANADA
39822 Belgrave Road, Belgrave, Ontario, N0G 1E0
Phone: (519) 357-3320 | Fax: (519) 357-1326