

REFRIGERATOR

MODEL : SJF2955MS



Refrigerator: Model SJF2955MS

CUSTOMER ASSISTANCE	2	CONTROL AND DISPLAY PANEL	16
CONSUMER LIMITED WARRANTY	3	OPERATING REFRIGERATOR.....	17
IMPORTANT SAFETY INSTRUCTIONS	4	CARE AND CLEANING	19
INSTALLATION INSTRUCTIONS.....	7	TROUBLESHOOTING	21
APPEARANCE OVERVIEW	14		

REGISTER YOUR PRODUCT

Registering your new product is easy and offers benefits that help you get the most out of your Sharp product including:

- 📞 **Convenience:** If you ever need warranty support, your product information is already on file.
- 📞 **Communication:** Stay up to date with important notifications and special offers from SHARP.
- 📞 **Support:** Quickly access support content including Owner's Manuals, FAQ's, How-to Videos, and much more.

3 EASY WAYS TO REGISTER TODAY!

 <p>SCAN Use the camera or QR code scanning application on your mobile device</p> <p>Scan this QR Code on your mobile device</p>	 <p>ONLINE Visit our sites to learn more about your product at sharpusa.com and sbl.sharpusa.com</p> <p>Visit http://www.sharpusa.com/register</p>	 <p>CALL US US 800-BE-SHARP 800-237-4277</p> <p>Contact a Sharp Advisor on the phone</p>
--	---	---

PRODUCT SUPPORT


If you have questions about the setup or operation of your product, please refer to the corresponding section within this manual.

Additionally, visit www.sharpusa.com/support to access exclusive content about your product including:

- 🔗 FAQ's and How-To Videos
- 🔗 Find or Request Service
- 🔗 Extended Warranty Options
- 🔗 Downloads including the Installation Guide, Spec Sheet, and Owner's Manual

CONTACT US

If at any time you have questions or comments concerning your SHARP product, please contact the SHARP Customer Assistance Center. We are available to assist you through multiple contact methods for your convenience:

 <p>EMAIL Available 24/7 US: sharpusa.com</p> <p>See the Contact Us section on our sites</p>	 <p>CHAT ONLINE</p> <p>U.S. www.sharpusa.com/support</p>	 <p>CALL US US 800-BE-SHARP 800-237-4277</p> <p>Contact a Sharp Advisor on the phone</p>
--	--	---

SHARP®

CONSUMER LIMITED WARRANTY

SHARP ELECTRONICS CORPORATION (“Sharp”) warrants to the first consumer purchaser that this Sharp brand product (the “Product”), when shipped in its original container, will be free from defective workmanship and materials, and agrees that it will, at its option, either repair the defect or replace the defective Product or part thereof with a new or remanufactured equivalent at no charge to the purchaser for parts or labor for the period(s) set forth below.

This warranty does not apply to any cosmetic or appearance items of the Product nor to the additional excluded item(s) set forth below nor to any Product the exterior of which has been damaged or defaced, which has been subjected to misuse, abnormal service or handling, or which has been altered or modified in design or construction. In order to enforce the rights under this limited warranty, the purchaser should follow the steps set forth below and provide proof of purchase to the servicer.

The limited warranty described herein is in addition to whatever implied warranties may be granted to purchasers by law. ALL IMPLIED WARRANTIES INCLUDING THE WARRANTIES OF MERCHANTABILITY AND FITNESS FOR USE ARE LIMITED TO THE PERIOD(S) FROM THE DATE OF PURCHASE SET FORTH BELOW. Some states do not allow limitations on how long an implied warranty lasts, so the above limitation may not apply to you.

Neither the sales personnel of the seller nor any other person is authorized to make any warranties other than those described herein, or to extend the duration of any warranties beyond the time period described above on behalf of Sharp. The warranties described herein should be the sole and exclusive warranties granted by Sharp and should be the sole and exclusive remedy available to the purchaser. Correction of defects, in the manner and for the period of time described herein, should constitute complete fulfillment of all liabilities and responsibilities of Sharp to the purchaser with respect to the Product, and should constitute full satisfaction of all claims, whether based on contract, negligence, strict liability or otherwise. In no event should Sharp be liable, or in any way responsible, for any damages or defects in the Product which were caused by repairs or attempted repairs performed by anyone other than a Sharp authorized servicer. Nor should Sharp be liable or in any way responsible for any incidental or consequential economic or property damage. Some states do not allow the exclusion of incidental or consequential damages, so the above exclusion may not apply to you.

THIS LIMITED WARRANTY IS VALID ONLY IN THE FIFTY (50) UNITED STATES, THE DISTRICT OF COLUMBIA AND PUERTO RICO.

Product model number & description: SJF2955MS, Refrigerator/Freezer

Warranty period for this product: One (1) year parts and labor, including in-home service.
Five (5) years parts and labor, for sealed system (condenser, dryer, connecting tube and evaporator) and compressor, including in-home service.

Additional item(s) excluded from warranty coverage: Commercial, non-residential, or use inconsistent with published installation and product operational instructions.
Light bulbs.
Any food or medicine loss due to refrigerator or freezer product failures.
In home instruction on how to use your product.

What to do to obtain service: In-home service is provided for one (1) year from date of purchase. Service can be arranged by calling 1-800-BE-SHARP. Be sure to have Proof of Purchase, Model, and Serial Number available.

TO OBTAIN SUPPLY, ACCESSORY OR PRODUCT INFORMATION, CALL 1-800-BE-SHARP or visit www.sharppusa.com.
SAVE THE PROOF OF PURCHASE AS IT IS NEEDED SHOULD YOUR REFRIGERATOR/FREEZER EVER REQUIRE WARRANTY SERVICE.

IMPORTANT SAFETY INSTRUCTIONS

MEANING OF SAFETY WARNING SYMBOLS

PROHIBIT

This is a prohibition symbol. Failure to follow instructions marked with this symbol may result in damage to the product or endanger the personal safety of the user.

WARNING

This is a warning symbol. All instructions marked with the warning symbol must be strictly followed. Failure to do so may result in damage to the product or personal injury.

CAUTION

This is a caution symbol. Instructions marked with this symbol require special caution. Insufficient caution may result in slight or moderate injury, or damage to the product.

State of California Proposition 65 Warnings:

WARNING: This product contains one or more chemicals known to the State of California to cause cancer.

WARNING: This product contains one or more chemicals known to the State of California to cause birth defects or other reproductive harm.

SAFETY WARNINGS



WARNING

RISK OF FIRE/FLAMMABLE MATERIALS

- This appliance is intended for use in residential environments for the storage of food items. It may also be used in similar environments such as: staff kitchen areas in offices, shops, farmhouses and hospitality locations such as hotels, motels and bed and breakfast establishments. It is NOT intended for commercial, industrial environments to be used as storage for non-food items or medical.
- This appliance is not intended for use by persons (including children) with reduced physical, sensory or capabilities, or lack of experience and knowledge, unless they have been given supervision or instruction concerning use of the appliance by a person responsible for their safety. Children should be supervised to ensure that they do not play with the appliance.
- If the supply cord is damaged, it must be replaced by the manufacturer, its service agent or similarly qualified persons in order to avoid a hazard.
- Do not store explosive substances such as aerosol cans with flammable propellant in this appliance.
- The appliance has to be unplugged after use and before carrying out user maintenance on the appliance.
- Do not use extension cords or ungrounded (two prong) adapters.
- The refrigerator must be disconnected from the source of electrical supply before attempting the installation of accessory.

WARNING

- Keep ventilation openings, in the appliance enclosure or in the built-in structure, clear of obstruction.
- Do not use mechanical devices or other means such as blow dryers, portable heaters, heat guns, hot water, etc. to accelerate the defrosting process, other than those recommended by the manufacturer.
- Do not damage the refrigerant system.
- Do not use electrical appliances inside the food storage compartments of the refrigerator, unless they are of the type recommended by the manufacturer.
- Follow all local laws and regulations to properly dispose of refrigerators as units contain environmentally hazardous and flammable materials and refrigerant.
- When positioning the appliance, ensure the supply cord is not trapped or damaged.
- Do not use multiple outlet power strips or portable power supplies at the rear of the appliance.

WARNING

Risk of child entrapment. Before you throw away your refrigerator or freezer:

- Take off the doors.
- Leave the shelves in place so that children may not easily climb inside.
- To prevent a child from being entrapped, keep out of reach of children or keep a child away from the vicinity of the appliance.

Refrigerant and cyclopentane foaming material used for the appliance are flammable. Therefore, when the appliance is scrapped, it shall be kept away from any fire source and be recovered by a qualified company with proper equipment rather than disposed of by any other means to prevent damage to the environment or any other harm.

Children should be supervised to ensure that they do not play with the appliance.

This appliance can be used by children aged from 8 years and older and persons with reduced physical sensory or mental capabilities or lack of experience and knowledge if they have been given supervision or instruction concerning use of the appliance in a safe manner and understand the hazards involved. Cleaning and required maintenance shall not be made by children without supervision. Children should not be allowed to load and unload refrigerating appliances.

FOR FOOD SAFETY

To avoid contamination of food, please follow these instructions:

- Opening the door for long periods can cause a significant increase of the temperature in the compartments of the appliance.
- Regularly clean surfaces that come in contact with food and accessible drainage systems.

IMPORTANT SAFETY INSTRUCTIONS

- Flush the water system connected to a water supply if water has not been used for 5 days.
- Store raw meat and fish in suitable containers in the refrigerator, so that they do not come in contact with or drip onto other food.
- If the refrigerating appliance is left empty for long periods, switch off, defrost, clean, dry and leave the door open to prevent mold developing inside the appliance.

⚠ WARNING

- To avoid tipping hazard due to instability of the appliance, it must be installed in accordance with the instructions.
- Connect to potable water supply only. (Suitable for ice making machine.)

ELECTRICITY RELATED WARNINGS

- Do not pull the power cord when pulling the power plug of the refrigerator. Please firmly grasp the plug and pull it out from the electrical outlet directly.
- To ensure safe use, do not damage the power cord or use the power cord when it is damaged or worn.

⚠ WARNING

- Please use a dedicated electrical outlet; A 115 Volt AC, 60 Hz, 15- or 20-amp fused, the electrical outlet shall not shared with other electrical appliances. The power plug should be firmly contacted with the electrical outlet to reduce risk of fire.
- Please ensure that the grounding electrode of the electrical outlet is equipped with a reliable grounding circuit.
- In case of gas leak, please turn off the valve of the leaking gas and then open the doors and windows. **Do not unplug the refrigerator and other electrical appliances. this may cause a spark that could ignite a fire.**

🚫 PROHIBIT

- **Do not use electrical appliances on the top of the refrigerator, unless they are of the type recommended by the manufacturer.**

WARNINGS FOR USING

🚫 PROHIBIT

- **Do not arbitrarily disassemble or reconstruct the refrigerator, nor damage the refrigerant circuit; maintenance of the appliance must be conducted by a qualified serviceperson.**
- **Damaged power cord must be replaced by the manufacturer, its maintenance department or qualified technicians in order to avoid danger.**
- **Do not allow any child to get into or climb on the refrigerator; suffocation or injury from falling may occur.**

⚠ WARNING

- The space between the refrigerator doors and the internal compartments is small. Use caution to avoid accidental injuries to hands and fingers when reaching inside for items.
- Close refrigerator door gently to avoid causing items to fall over within the appliance.
- Do not touch or handle foods or containers in the freezer with wet hands when the refrigerator is running, especially metal containers, in order to avoid injury.

⚠ CAUTION

- Do not place heavy objects on the top of the refrigerator considering that objects may fall when closing or opening the door, potentially causing serious injury.
- Disconnect power supply in case of power failure or cleaning. Do not connect the refrigerator to power supply within five minutes to prevent damage to the compressor due to successive starts.

IMPORTANT SAFETY INSTRUCTIONS

WARNINGS FOR PLACEMENT OF ITEMS

⚠ WARNING

- Do not put flammable, explosive, volatile and highly corrosive items in the refrigerator to prevent damage to the appliance and to avoid causing fire.
- Do not place flammable items near the refrigerator to avoid fires.
- The refrigerator is intended for household use, such as storage of foods; it shall not be used for other purposes, such as storage of blood, medical supply or biological products, etc.
- Do not store beer, carbonated beverages or other fluids stored in pressurized containers in the freezer of the refrigerator; the bottles or enclosed containers may crack due to freezing causing damage to the appliance and other food items.
- Do not store items in refrigerator or freezer for time periods exceeding food manufacturer's recommended expiration dates.

WARNINGS FOR ENERGY

1. Refrigerating appliances might not operate consistently (possibility of defrosting of contents or temperature becoming too warm in the freezer) when sitting for an extended period of time in an environment in which the ambient temperature is too far above or below the recommended ambient temperature in which the appliance was designed to be used.
2. Use necessary precautions to prevent an undue rise in the temperature of the frozen food while defrosting the freezer, such as wrapping the frozen food in several layers of newspaper or transferring items to a cooler temporarily. Rising temperatures could result in frozen foods defrosting when performing maintenance or cleaning, shortening the foods' storage life.

WARNINGS FOR DISPOSAL

⊘ PROHIBIT

Refrigerant and cyclopentane foaming material used for the refrigerator are flammable. Therefore, when the refrigerator is recycled, it shall be kept away from any fire source and be recovered by a qualified recovering company with proper equipment to prevent damage to the environment or any other harm.

⚠ WARNING

When the refrigerator is recycled, disassemble the doors, and remove gasket of doors and shelves; put the doors and shelves in a proper place, to prevent trapping of any child.

Correct Disposal of this product



This marking indicates that this product should not be disposed of with other household wastes. To prevent possible harm to the environment or human health from uncontrolled waste disposal, recycle it responsibly to promote the sustainable reuse of material resources. To return your used device, please use the return and

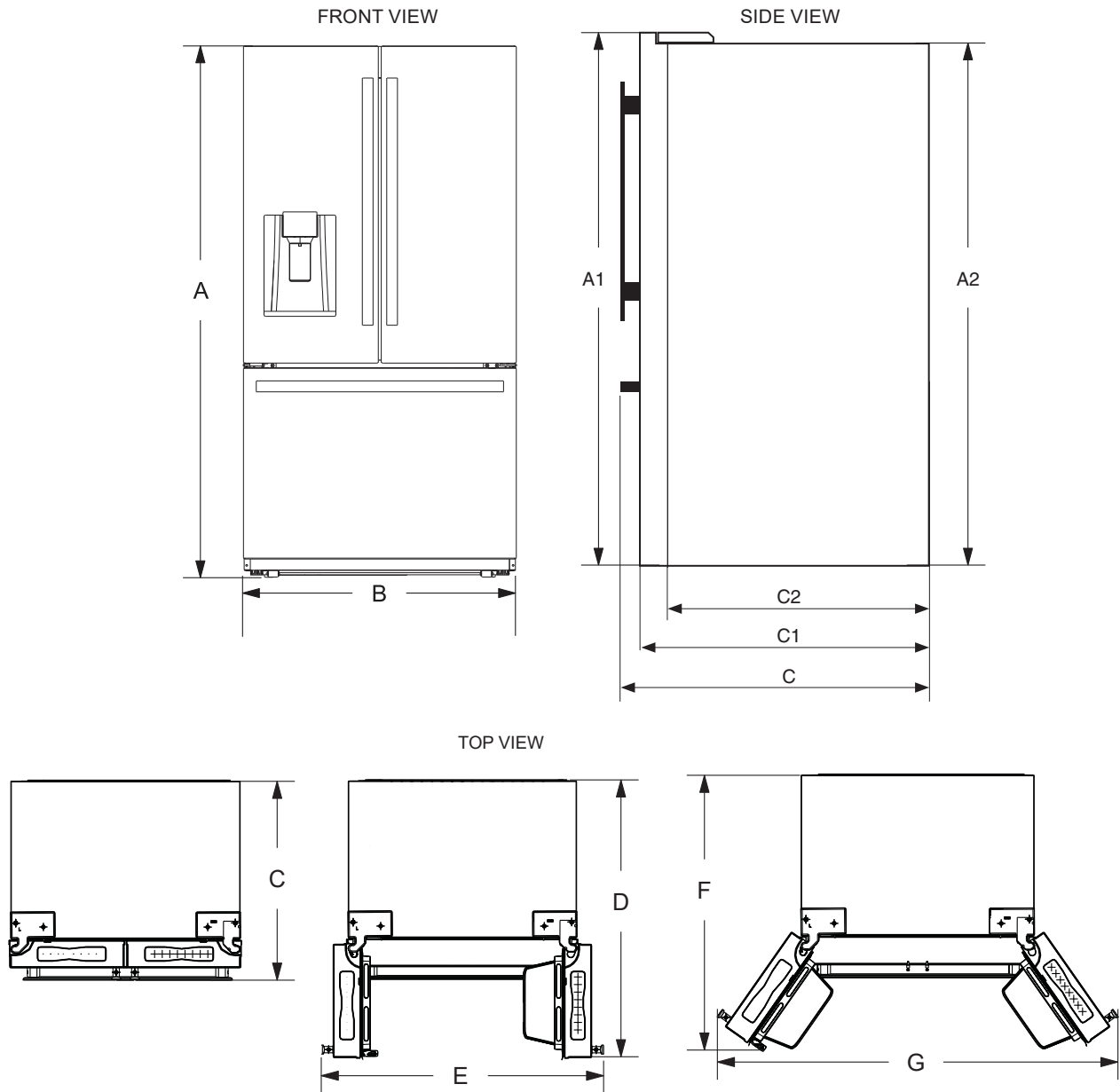
collection systems or contact the retailer where the product was purchased. They can take this product for environmentally safe recycling.

⚠ WARNING

WARNING: Cancer and Reproductive Harm - www.P65Warnings.ca.gov

INSTALLATION INSTRUCTIONS

APPLIANCE/INSTALLATION DIMENSIONS



	DIMENSIONS	SIZE (INCHES)
Overall height to top of door	A	69.9
Height to top of hinge cover	A1	69.9
Height to top of case	A2	68.8
Width	B	35.8
Depth without Doors	C2	29.7
Depth without Handles	C1	34.3
Depth with Handles	C	36.5
Door open 90° Depth	D	48.5
Door open 90° Width	E	44.8
Door open 135° Depth	F	46.5
Door open 135° Width	G	64.7

INSTALLATION INSTRUCTIONS

⚠ WARNING

Precautions before installation:

Before installation or adjusting of accessories, it shall be ensured that the refrigerator is disconnected from power.

Precautions shall be taken to ensure that the handle has been securely attached in order to prevent personal injury when opening the door.

INSTALLATION LOCATION

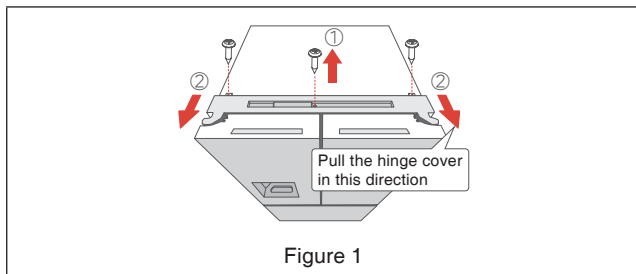
- This refrigerator is designed for indoor, household use only.
- Keep away from heat and avoid direct sunlight or places near a heat source, such as an oven or a radiator.
- Do not place the refrigerator in moist or damp places to prevent rust or reduction of its insulating function of the electrical components and food storage compartments.
- The refrigerator should be placed in a dry and well-ventilated indoor place.
- The ground shall be level, and sturdy (rotate the adjustable leg left or right to adjust for leveling if unstable).
- The ambient temperature of the appliance's location should range from a minimum of 55°F to a maximum of 110°F. However, for better energy usage and superior cooling, the temperature is recommended to be between 60°F and 90°F.
- For proper air circulation and electric connections, 4" of clearance from each adjacent wall and the ceiling is recommended when installing the refrigerator. If not available, minimum 2" of clearance is strongly recommended.
- Spare enough space for convenient opening of the doors and drawers, especially when the refrigerator is installed next to a fixed wall to allow the door to swing open.

DISASSEMBLY OF REFRIGERATOR DOORS/DRAWERS

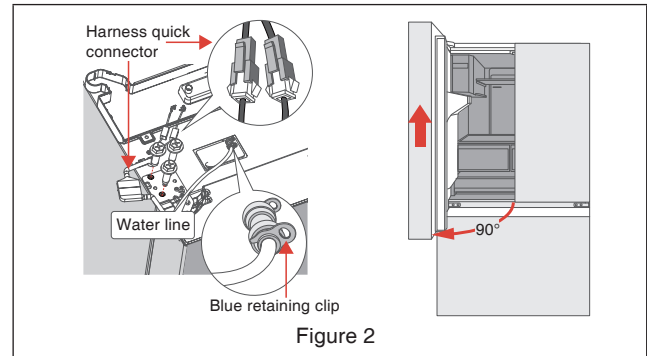
In some cases you need to remove the fridge doors and drawer doors to move the refrigerator through a doorway. The doors can be removed by the following steps. IF NOT NECESSARY, DO NOT REMOVE THOSE DOORS.

DISASSEMBLY OF REFRIGERATOR DOORS

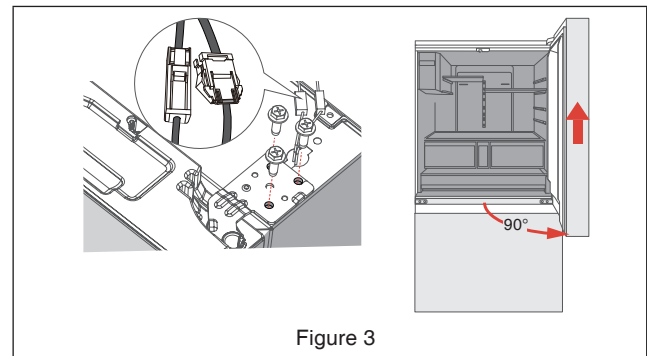
1. Use screw driver to remove the 3 screws, and then remove the upper hinge cover of the left door. See Figure 1.



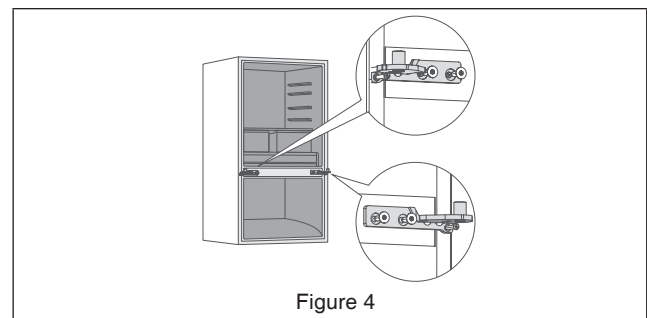
2. A. Remove the hinge cover and disconnect the 3 harness quick connectors.
B. Pull out the blue retaining clip from the quick release one way valve, remove the blue door water line.
C. Remove the 3 screws and left upper hinge from the product.
D. Open the left door 90°, lift it up, then remove the door from the product. See Figure 2.



3. A. Disconnect the 2 harness quick connectors, and remove the 3 screws and right upper hinge from the product.
B. Open the right door 90°, lift it up, then remove the door from the product. See Figure 3.



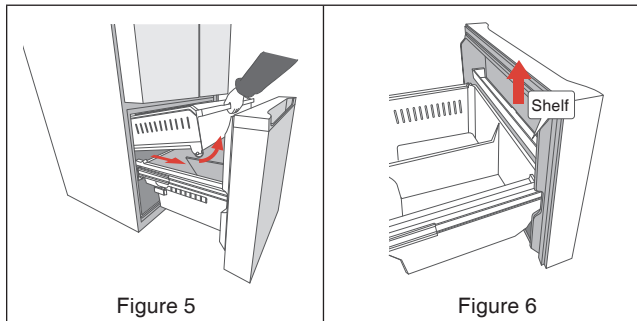
4. Remove the middle hinge with allen driver and phillips screwdriver from the product.
Note: When the width of the door is less than 32 inches, remove the middle hinge. When the width of the door is more than 32 inches, don't remove middle hinge. See Figure 4.



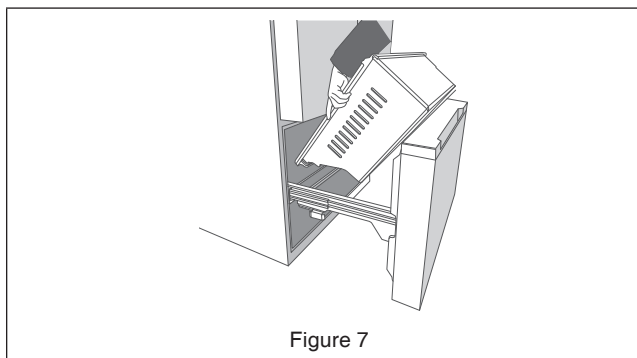
INSTALLATION INSTRUCTIONS

DISASSEMBLY OF FREEZER DRAWER

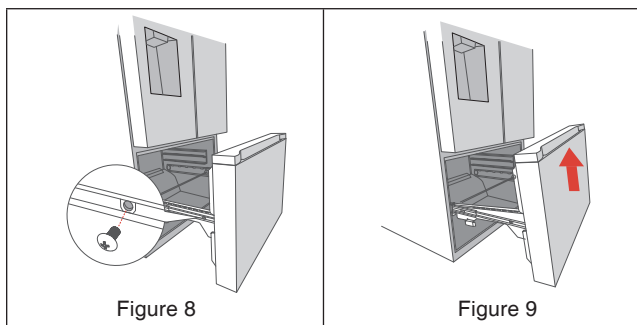
1. Fully open the freezer door, take out the upper drawer. Operating instructions: Pull the drawer out for a distance, and then rotate it upwards to take it out. See Figure 5.
2. Move up and take out the shelf. See Figure 6.



3. Take out the lower drawer. Operating instructions: Pull the drawer out for a distance, move it up, then rotate it upwards and take it out. See Figure 7.

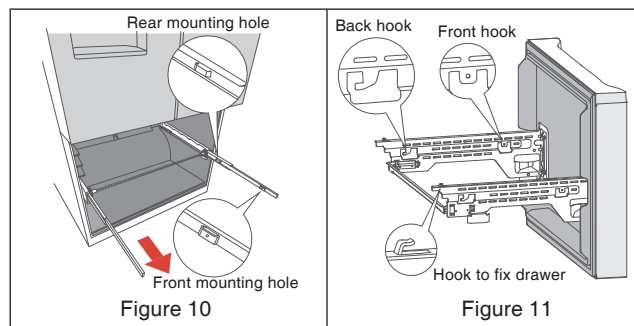


4. Use a crosshead screwdriver to remove the two screws that fix the supporters and rails. Note: Do not discard the screws, which need to be removed when reattaching the freezer door. See Figure 8.
5. Rotate the freezer door upwards and take it out. See Figure 9.

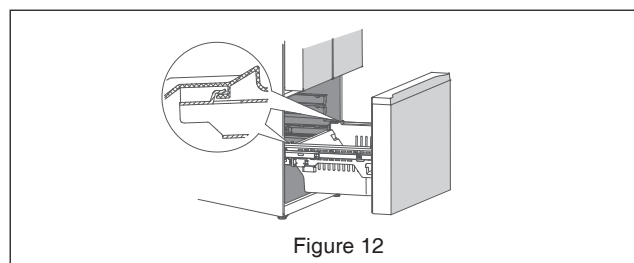


FREEZER DOOR ASSEMBLY

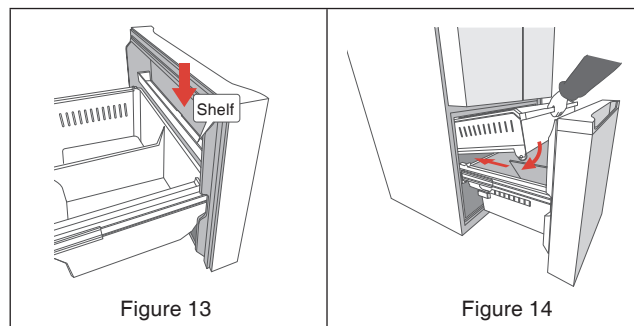
1. Fully open the rails. See Figure 10. Gently pick up the freezer door and insert the hooks of supporters into the holes of rails. See Figure 11.



2. Reattach the two screws. See Figure 8. Insert the lower drawer back into its position. Note: the lower drawer should be inserted into the supporter's hooks on both sides. See Figure 12.



3. Insert the shelf back into its position. See Figure 13. Insert the upper drawer back into its position. Note: the front wheel should be inside the side wall of the lower drawer. See Figure 14.



CAUTION

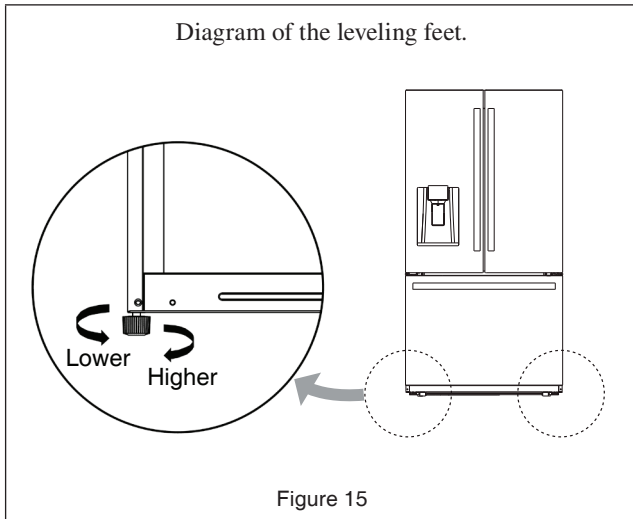
- Be careful not to scratch or dent the rail assembly.
- Make sure you mount the freezer baskets in the correct position.

INSTALLATION INSTRUCTIONS

LEVELING THE REFRIGERATOR

Precautions before operation

1. Before operation of accessories, it shall be ensured that the refrigerator is disconnected from power source. Before adjusting the leveling feet, precautions shall be taken to prevent any personal injury.
2. Adjusting procedures, see Figure 15:
 - A. Turn the feet clockwise to raise the refrigerator.
 - B. Turn the feet counterclockwise to lower the refrigerator.
 - C. Adjust the right and left feet based on the procedures above to a horizontal level.





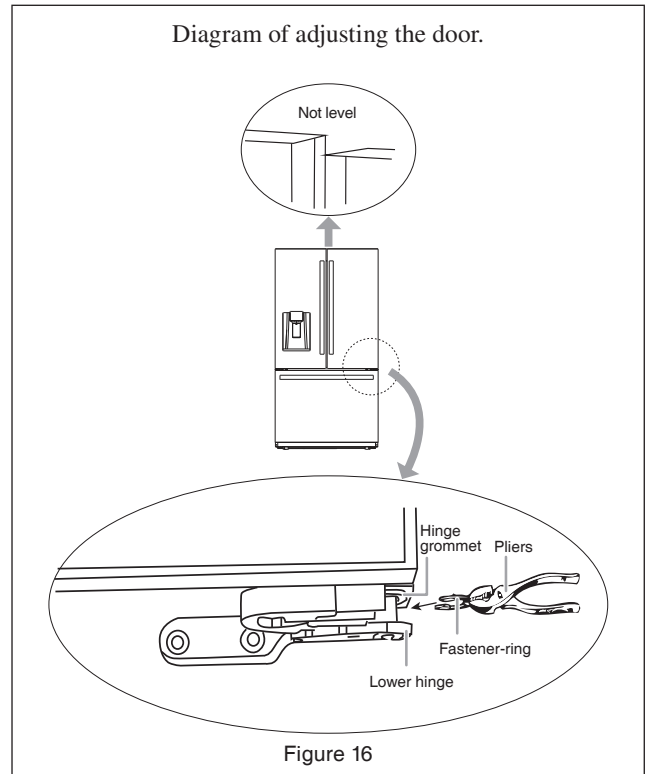
LEVELING THE DOORS

Precautions before operation

1. Before operation of accessories, it shall be ensured that the refrigerator is disconnected from power source. Before adjusting the door, precautions shall be taken to prevent any personal injury.
2. Raise the lower door up to the level of the higher door.
3. Insert the supplied fastener-rings by using pliers in the gap between the hinge-grommet and the lower hinge.

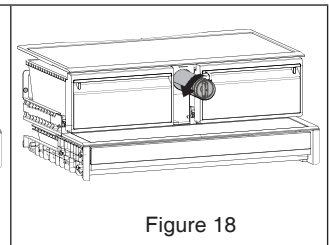
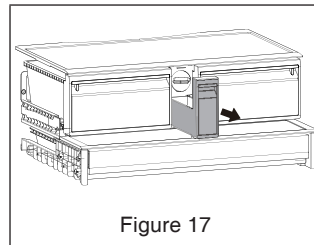
The number of fastener-rings you will need to insert depends on the gap. See Figure 16.

LIST OF TOOLS AND PARTS	
Pliers	
Fastener-rings (supplied)	 x3

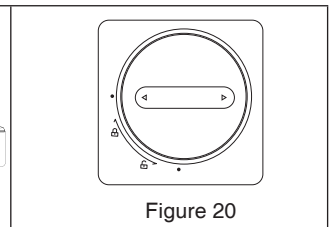
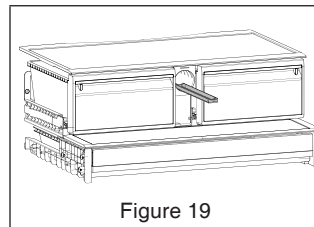


INSTALLING THE WATER FILTER

1. Pull out the small drawer in the middle. See Figure 17.
2. Press the filter knob and rotate 90° counterclockwise, the filter will disengage from the connector and the filter can be removed. See Figure 18.



3. Check the water tray under the strainer with your finger, take out and dump the overflow water. See Figure 19.
4. Insert a replacement filter into the filter slot and rotate the filter knob clockwise all the way until it stops. Make sure that the knob is fully locked with the dot on the filter handle aligned with the dot on the housing. See Figure 20.



5. The filter is recommended to be replaced every six months. For the replacement water filter (part# SJWF300), please call 1-800-BE-SHARP.

INSTALLATION INSTRUCTIONS

CONNECTING THE WATER LINE

WATER CONNECTION

⚠ WARNING

Risk of electric shock and damage to the appliance:

- Disconnect the appliance from the power source before performing any work on the water connection.
- Only a qualified installation technician may connect the appliance to the water supply in accordance with plumbing and relevant water utility company regulations.

Connect the appliance to a drinking water line only:

- Minimum pressure: 0.28 MPa (2.76 bar, 40psi)
- Maximum pressure: 0.69 MPa (6.89 bar, 100psi)
- Pressure over 0.69 MPa (6.89 bar, 100 psi): install a pressure limiter between drinking water connection and hose set.

The water supply should be connected only by a competent plumber according to the local regulations of the appropriate water supply company.

A cold water connection is necessary for operating the ice maker. The water pressure must be between 0.28 MPa (2.76 bar, 40 psi) and 0.69 MPa (6.89 bar, 100 psi). The installation must correspond to the local plumbing regulations.

A separate shut-off valve should be installed in the cold-water inflow.

The shut-off valve should not be located behind the appliance. It is recommended that you mount the shut-off valve directly next to the appliance or at another place that is easily accessible. See Figures 21-22.

When installing the water connection, pay attention to the permissible installation area for the water line.

For connection to the drinking water line, use only water pipes that are suitable for drinking water. Observe local regulations and the connection conditions of the local water supply companies.

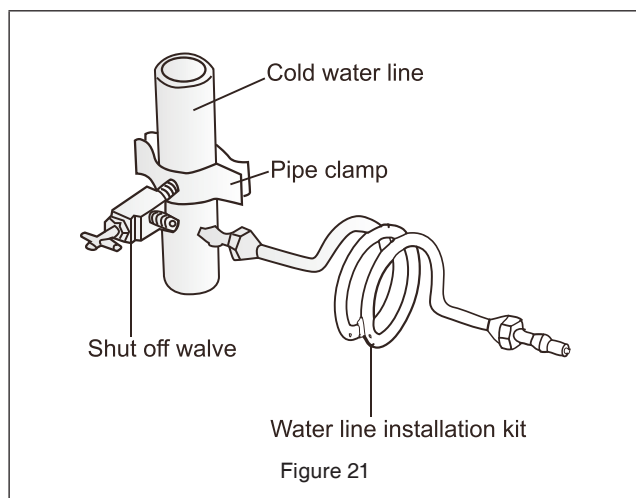


Figure 21

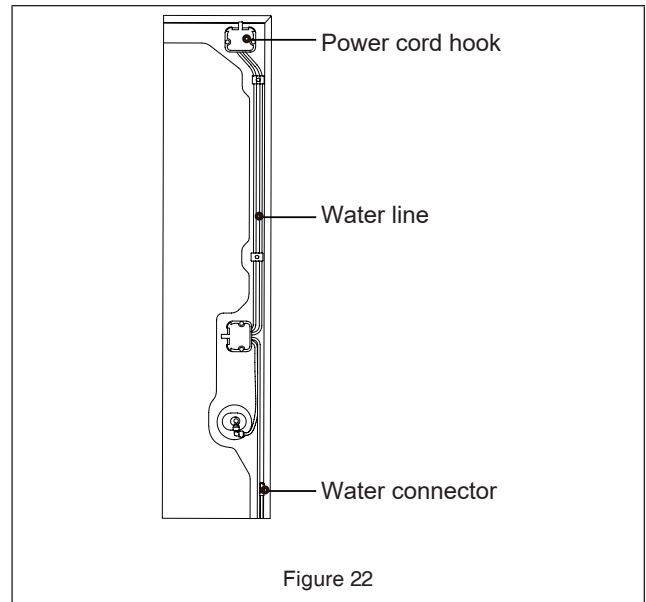


Figure 22

Connecting the Water Line to A Drinkable Water Source.

If your water line is not drinkable, please add an external water filter.

If you must repair or disassemble the water line, cut off the plastic tubing to make sure you get a snug, leak-free connection. See Figures 23.

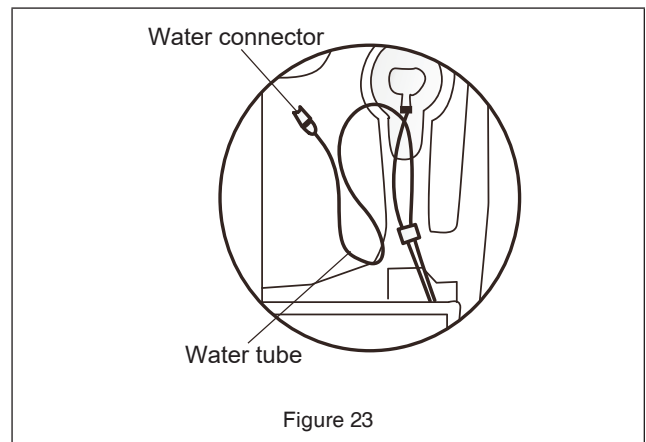


Figure 23

INSTALLATION INSTRUCTIONS

CONNECTING THE WATER LINE

Water line installation kits are available as an additional accessory from your dealer or at a local hardware store.

1. Shut off the main water supply line.
2. Install a shut-off valve and water line 1/4" x 1/4" compression thread (UNS 7/16-24), accessible with product in place. Refer to local code and instructions with water line installation kit (not included).
3. Connect the newly installed water supply line (B) to the refrigerator water inlet connector (A), tighten using tool. See Figure 24.
4. Gently tug on the water supply line to ensure a proper fit and risk of damage when pulling or pushing the unit for cleaning.
5. Turn main water back on and check for leaks.
6. After connecting the water line, please flush one gallon of water through the filter before drinking or using the water from your refrigerator. (Flush approximately 5 minutes.) To flush, press a large glass or cup against the water dispenser lever. Fill the glass, then empty it. Repeat until you dispense about one gallon of water.

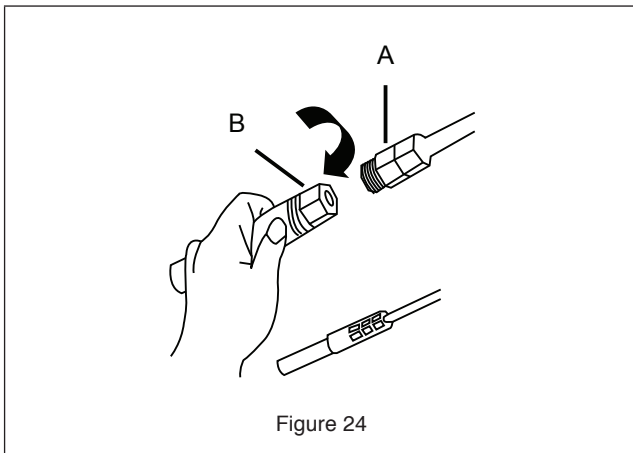






Figure 24

INSTALLING DOOR HANDLES

Precautions shall be taken to prevent handle falling off and causing any personal injury.

LIST OF TOOLS AND PARTS	
Phillips screwdriver	
Allen wrench (Supplied)	
Handle screws (Supplied)	 x6
Hole caps (Supplied)	 x6

INSTALLATION PROCEDURES

1. Take out bolt ① from accessory bag, then use Phillips screwdriver to secure the bolt ① into the bolt hole ② of refrigerator doors. See Figure 25.

2. Attach the handle of the door through the bolt hole ① and make sure that the handle makes contact to the door surface closely. See Figure 26.
3. Attach the handle by rotating the handle screw ③ clockwise until it stops to the end, gently shake the handle to ensure it has been attached securely.
4. Put the screw hole cap ④ on the handle screw hole to complete this installation.

Note: the screw hole cap is not removable once applied.

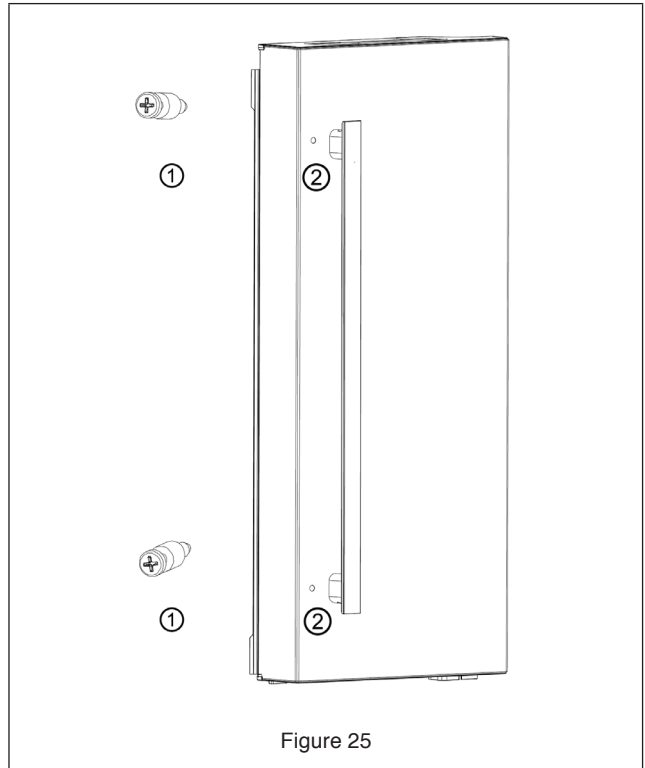


Figure 25

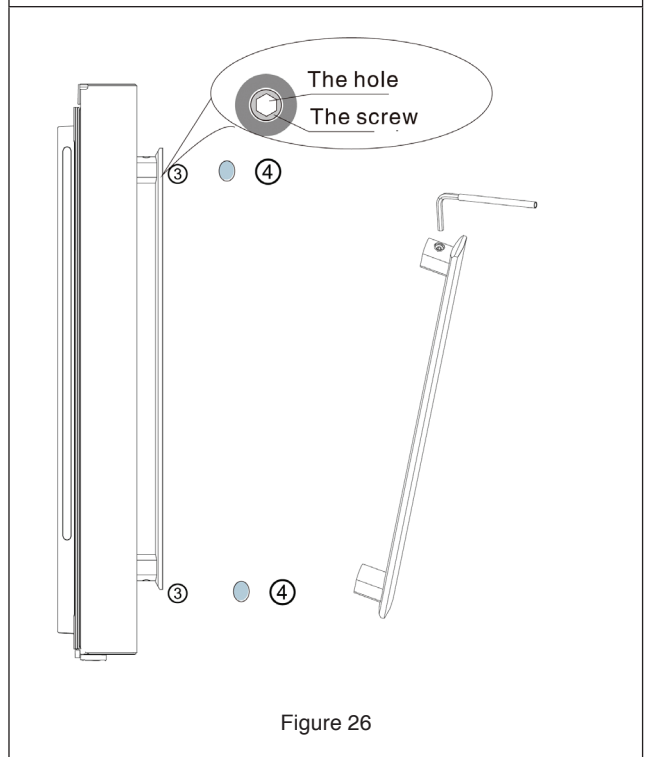


Figure 26

INSTALLATION INSTRUCTIONS

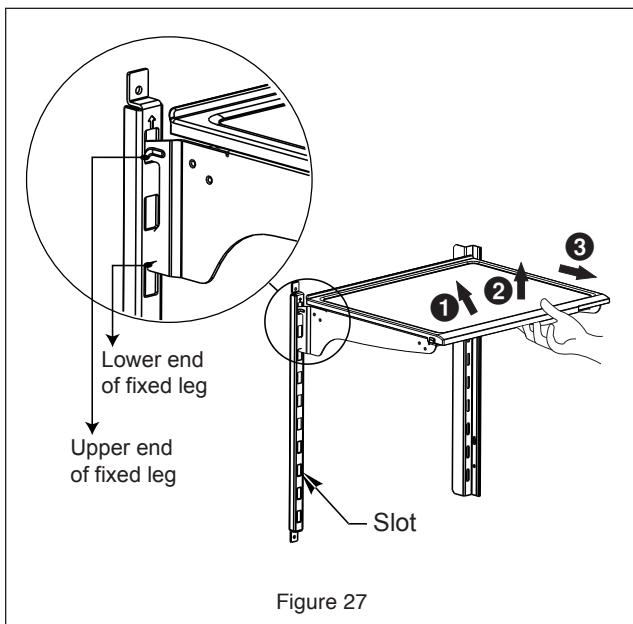
Notes:

- ① Bolt
- ② Bolt hole
- ③ Handle screw
- ④ Screw hole cap

ADJUSTING THE SHELVES

The cantilever rack could be adjusted to the proper height as required by food.

- To adjust the cantilever rack please follow the arrows as shown in Figure 27.
- Raise it upward first and then take it out by tilting it upward.
- During installation, put the upper end of the fixed leg into one of the upper slots on the supporting iron first and then put the lower end of the fixed leg into the third slot on the lower part of the supporting iron.



BEFORE USING THE REFRIGERATOR

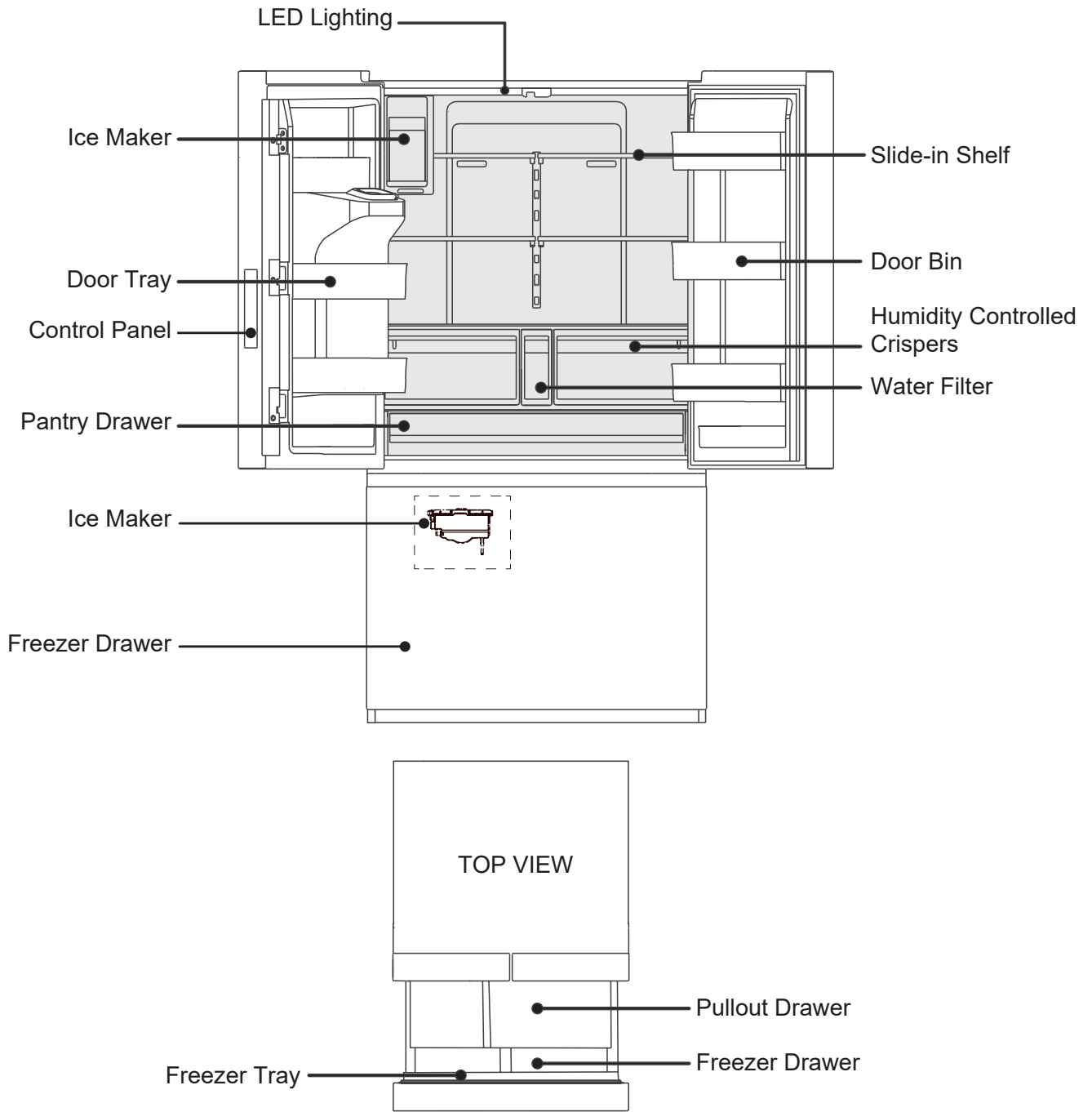
- Before use, remove all packing materials, including bottom cushions, foam pads and tape inside of the refrigerator; tear off the protective film on the doors and the refrigerator body.
- Before turning the refrigerator on, keep the refrigerator still for 2 hours before connecting it to power supply.

- Before putting any fresh or frozen foods, the refrigerator should have run for 2-3 hours or for about 4 hours in summer when the ambient temperature is high.

ENERGY SAVING TIPS

- The appliance should be located in the coolest area of the room, away from heat producing appliances or heating ducts, and out of the direct sunlight.
- Let hot foods cool down to the room temperature before placing in the appliance. Overloading the appliance forces the compressor to run longer. Foods that freeze too slowly may lose quality or spoil.
- Be sure to wrap foods properly and wipe containers dry before placing them in the appliance. This cuts down on frost build-up inside the appliance.
- Appliance storage bin should not be lined with aluminum foil, wax paper or paper toweling. Liners interfere with cold air circulation, making the appliance less efficient.
- Organize and label food to reduce door openings and extended searches. Remove as many items as needed at one time, and close the door as soon as possible.

APPEARANCE OVERVIEW



REFRIGERATOR

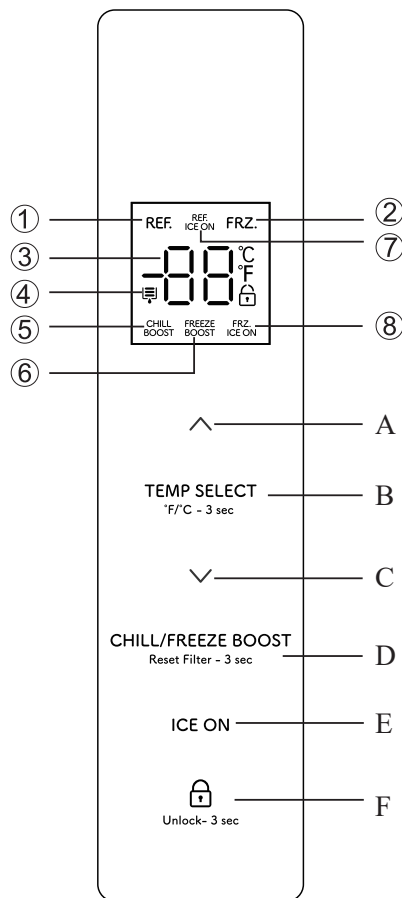
- The refrigerator is suitable for storage of a variety of fruits, vegetables, beverages, and other foods consumed in the short term.
- Cooked foods should not be put in the refrigerator until cooled down to the room temperature.
- Foods are recommended to be sealed in appropriate containers before placing inside the refrigerator.
- The glass shelves can be adjusted up or down for a desired storage space and ease of use.
- To optimize the humidity control of the crisper drawers, slide the sector to the following positions.
Lower humidity for fruit: ◀◆
High for vegetable: ◆

FREEZER DRAWER

- The freezer drawer may keep food fresh for a long time and is primarily used to store frozen foods.
- The freezer drawer is suitable for storage of meat, fish, frozen entrées and intended for foods that will not be consumed in the short term.
- It is recommended to divide large cuts of meat into smaller portions for easier defrosting.
To prevent spoilage and food-borne illness, consume all foods before expiration date.

Note: Storage of too much food during operation after the initial connection to power may adversely affect the freezing performance of the appliance. Food stored should not block the air outlet or otherwise the freezing performance will also be adversely affected.

CONTROL AND DISPLAY PANEL



DISPLAY SCREEN

- ① Refrigerator Indicator
- ② Freezer Indicator
- ③ Temperature Display
- ④ Filter Replacement Icon
- ⑤ Chill Boost
- ⑥ Freeze Boost
- ⑦ Refrigerator Ice Maker
- ⑧ Freezer Ice Maker

OPERATION KEY

- A. Temperature Increase
- B. Temperature Zone Selection
- C. Temperature Decrease
- D. Chill Boost/Freeze Boost
- E. Ice Maker On/Off
- F. Lock/Unlock

DISPLAY

Main Display Control (display control on refrigerator left door)

When the power is connected for the first time, the display will illuminate and the start-up chime will sound, and then the display will enter normal operation. (When the appliance is powered on for the first time, the temperatures of the refrigerator and the freezer are set at 37°F/-4°F respectively.)


Under normal conditions, if no doors are opened and no keys are pressed for 30 seconds, the control panel will be locked, and the display will turn off after 30 seconds. If any key is pressed when the display is off, the display screen will wake up and show the current status.


Ice/Water Dispenser Display and Control

When the refrigerator is powered on for the first time, the dispenser display and control will illuminate for 3 seconds and then enter normal operation. The default setting is water dispensing function.

OPERATING REFRIGERATOR

LOCK/UNLOCK

In the unlock state, press and hold the button  for 3 seconds to enter the lock state and the buzzer sound rings.

In the lock state, press and hold the button  for 3 seconds to enter the unlock state and the buzzer sound rings.

It will enter the lock state if there is no opening door action or any buttons operation within 30 seconds.

The alarm sound can be stopped by pressing any one button in lock state, but all other button operations need to be performed in unlock state.

TEMPERATURE MODE

To change the temperature default mode to Celsius or Fahrenheit, press "TEMP SELECT" and hold for 3 seconds.

FILTER ELEMENT TIME RESET

Hold down "CHILL/FREEZE BOOST" for 3 seconds to reset the Water Filter icon. At this time, the filter aging data is cleared.

SABBATH MODE

To activate or deactivate Sabbath mode, press "TEMP SELECT" and "CHILL/FREEZE BOOST" simultaneously for 3 seconds. Press the UnLock key effect immediately. Otherwise, the lock automatically takes effect in about 30 seconds. When the refrigerator is in Sabbath mode, the display, the internal lights and the buzzer do not function, and the dispenser indicates the selected function in low brightness.

ICE MAKER ON/OFF

Press "ICE ON" to turn on or off the ice makers and the indicators of the activated ice maker will illuminate on the control panel. It will toggle the ice maker mode as below. Refrigerator Ice Maker On → Freezer Ice Maker On → Refrigerator/Freezer Ice Makers On → Refrigerator/Freezer Ice Makers Off

TEMPERATURE SETTING

REFRIGERATOR

Press "TEMP SELECT" until "REF" on the display panel illuminates. Then press "∨" or "∧" temperature control keys between 44°F/7°C and 34°F/1°C.

FREEZER DRAWER

Press "TEMP SELECT" until "FRZ" on the display panel illuminates. Then press "∨" or "∧" temperature control keys to adjust the temperature. The temperature can change in a range between 7°F/-14°C and -7°F/-22°C.

BOOST MODE SETTINGS

CHILL BOOST

When "REF" on the display panel illuminates, press "CHILL/FREEZER BOOST" to turn on the CHILL BOOST mode. The refrigerator room is set at 34°F/1°C automatically, and the CHILL BOOST icon illuminates. When the CHILL BOOST mode is deactivated, the refrigerator temperature automatically returns to the temperature set before the CHILL BOOST mode was activated.

FREEZE BOOST

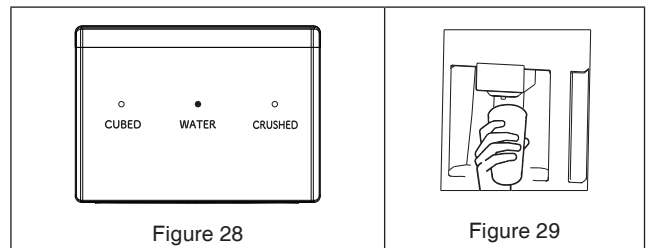
When "FRZ" on the display panel illuminates, press "CHILL/FREEZER BOOST" to turn on the FREEZE BOOST mode. The freezer room is set at -7°F/-22°C automatically, and the FREEZE BOOST icon illuminates. When the FREEZE BOOST mode is deactivated, the freezer temperature automatically returns to the temperature set before the FREEZE BOOST mode was activated.

ICE/WATER DISPENSER

The ice/water dispenser is located on the outside of refrigerator door. You may select cubed ice, crushed ice or cold water. The dispenser only works when the refrigerator door is closed.

FOR COLD WATER

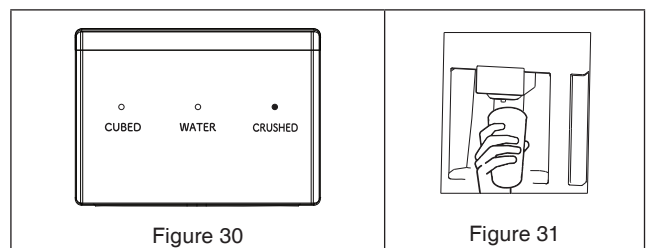
1. Press the WATER key until the indicator light turns on. See Figure 28.
2. Gently press a glass or cup against the lever until water is dispensed. To end, release the lever. See Figure 29.



FOR CRUSHED ICE

1. Press the CRUSHED key until the indicator light turns on. See Figure 30.
2. Gently press a glass or cup against the lever until crushed ice is dispensed. To end, release the lever. See Figure 31.

NOTE: Align the top of the glass or cup with the opening of the dispenser to prevent ice from spilling over the glass or cup and onto the floor.

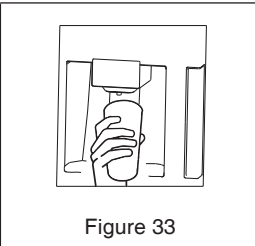
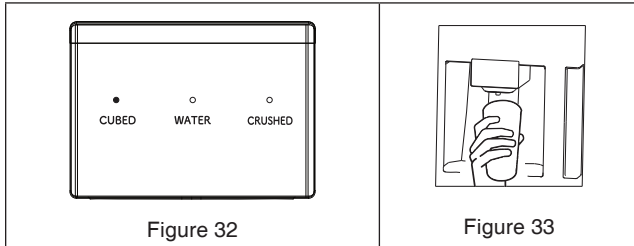


OPERATING REFRIGERATOR

FOR CUBED ICE

1. Press the CUBED key until the indicator light turns on. See Figure 32.
2. Gently press a glass or cup against the lever until cubed ice is dispensed. To end, release the lever. See Figure 33.

NOTE: Align the top of the glass or cup with the opening of the dispenser to prevent ice from spilling over the glass or cup and onto the floor.



ERROR CODE

When the following tips to appear on the display screen, it indicates a problem with the refrigerator. Although the refrigerator in the following fault case can still provide cool/freeze functions, but the user should contact maintenance personnel, ensure the normal use of refrigerator.

CODE	NAME
EH	The humidity sensor fails
F5	Ice maker fails to release ice
F4	The sensor at the bottom of refrigerator ice maker fails
CC	The defrosting sensor in ice making chamber fails
C9	The sensor in ice making chamber fails
CA	The communication between main control board and ice making board fails
F6	The initialization of refrigerator ice maker fails
E0	The initialization of freezer ice maker fails
E1	The temperature sensor in the refrigerator chamber fails
E2	The temperature sensor in the freezer chamber fails
E5	Frosting sensor for freezer fails
E6	The communication between display board and main control board fails
E7	The ambient temperature fails
EE	The sensor at the bottom of freezer ice maker fails
EP	Freezer ice maker fails to turn over ice

CARE AND CLEANING

OVERALL CLEANING

- Regularly clean the dust and debris behind the refrigerator appliance and the floor to improve cooling performance and energy savings.
- Check the door gasket regularly to make sure there is no debris. Clean the door gasket with a soft cloth dampened with soapy water or diluted detergent.
- The interior of the refrigerator should be cleaned regularly to avoid odor.
- Please unplug the power supply before cleaning interior, remove all foods, drinks, shelves, drawers, etc.
- Use a soft cloth or sponge to clean the inside of the refrigerator, with two tablespoons of baking soda and a quart of warm water. Then rinse with water and wipe clean. After cleaning, open the door and let it air dry before applying power supply.
- For areas that are difficult to clean in the refrigerator (such as narrow spaces, gaps or corners), it is recommended to wipe them regularly with a soft rag, soft brush, etc. and when necessary, combined with some auxiliary tools (such as thin sticks) to ensure no contaminants or bacterial accumulation are in these areas.
- Do not use soap, detergent, scrub powder, spray cleaner, etc., as these may cause odors in the interior of the refrigerator or contaminate food.
- Clean the bottle frame, shelves and drawers with a soft cloth dampened with soapy water or diluted detergent. Dry with a soft cloth or air dry.
- Wipe the outer surface of the refrigerator with a soft cloth dampened with soapy water, detergent, etc., and then wipe dry.
- Do not use hard brushes, clean steel balls, wire brushes, abrasives (such as toothpastes), organic solvents (such as alcohol, acetone, banana oil, etc.), boiling water, acid or alkaline items, which may damage the refrigerator interior. Boiling water and organic solvents such as benzene may deform or damage plastic parts.
- Do not rinse directly with water or other liquids during cleaning to avoid short circuits or damage to electrical insulation after immersion.

⚠ DANGER

Please unplug the refrigerator for defrost and cleaning.

CLEANING OF DOOR BINS

- Use both hands to hold and squeeze the bin, push it upward then remove. See Figure 34.

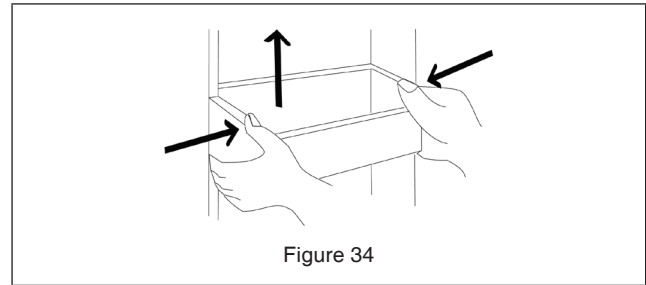


Figure 34

- After washing the bin, reinstall and adjust height as needed.

CLEANING OF ICE MAKER BOX

• Refrigerator Ice Maker

Hold the handle of the ice storage box with your hand, press it gently, and then pull it out horizontally. Push the ice storage box in slightly after cleaning. See Figure 35.

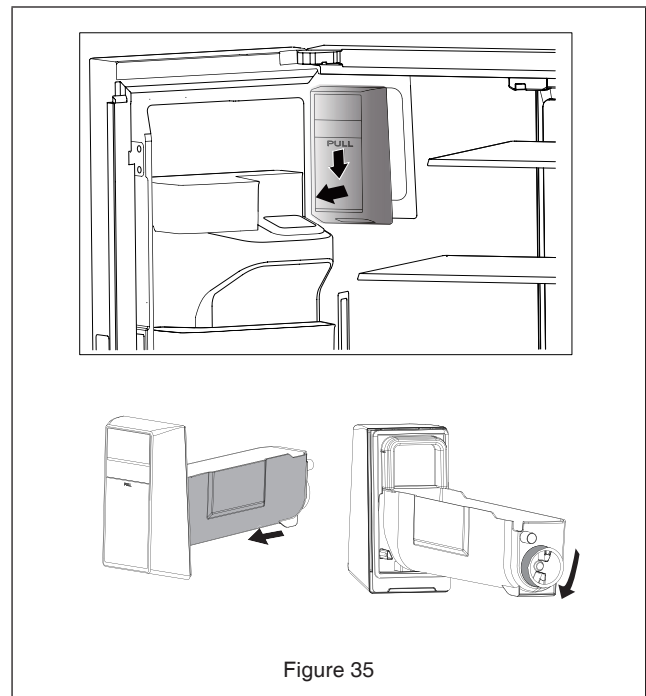


Figure 35

⚠ CAUTION

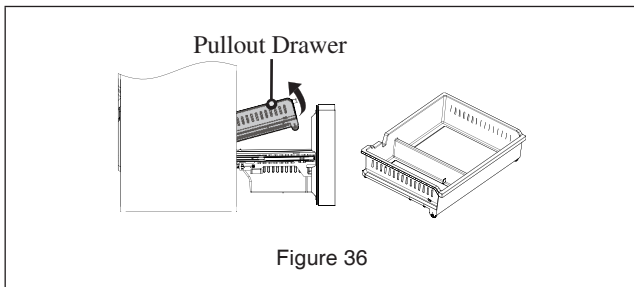
Ice maker cutter inside. DO NOT place your hands or anything inside.

When installing, pushed the ice bin compartment all the way inside from the bottom. If it cannot be pulled out, it means its installed properly.

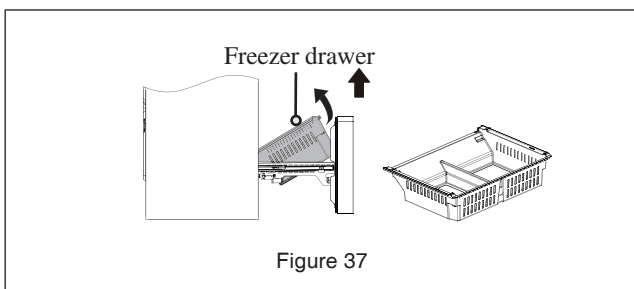
CARE AND CLEANING

CLEANING OF FREEZER DRAWER

Pullout drawer: Open the freezer door to the maximum stroke, lift the tail of the upper drawer of the freezing chamber, take out the pullout drawer. See Figure 36.



Freezer drawer: Open the freezer door to the maximum stroke, lift the end of the freezer drawer and lift it up. See Figure 37.



Note: Don't remove the lower freezer drawer if not necessary.

DEFROSTING

The refrigerator is designed based on the air-cooling principle and thus has an automatic defrosting function. Frost formed due to change of season or temperature may also be manually removed by disconnecting the appliance from power supply or by wiping with a dry towel.

REPLACING THE WATER FILTER

The water filter must be replaced every 6 months or if a noticeable reduction in the water flow occurs. When replace is recommended, the Filter Replacement icon will be lit. At this time, replace the water filters following "INSTALLING THE WATER FILTER (P10)". To reset the Filter Replacement icon, hold down "CHILL/FREEZE BOOST" for 3 seconds and the filter aging data is cleared. For the replacement water filter (Part# SJWF300), please call 1-800-BE-SHARP.

CHANGING THE LIGHT

Any replacement or maintenance of the LED Lamps and others, please call 1-800-BE-SHARP.

OUT OF OPERATION

- Power failure: In case of power failure, foods inside the appliance can be kept for several hours; during the power failure, the times of door opening should be reduced and no more fresh food should be put into the appliance.
- Not use for extended time: The appliance should be unplugged and then cleaned; the doors should be left open to prevent odor.
- Moving: Before the refrigerator is moved, remove all items from inside the appliance, secure the glass partitions, vegetable holder, all drawers, etc. with tape and tighten the leveling feet; close the doors and secure them with tape. During moving, the appliance should not be laid upside down, horizontally or vibrated; the inclination during movement should be no more than 45°.

TROUBLESHOOTING

Before calling for service, the following information may help determine potential cause of appliance concern. Please contact your local dealer or 1-800-BE-SHARP for further assistance.

Appliance has no power	<ul style="list-style-type: none"> • Confirm the appliance is connected to a power source and securely plugged into electrical outlet. • Confirm electrical outlet has power, if not, check circuit breaker box for tripped circuit.
Odor from refrigerator or freezer compartments	<ul style="list-style-type: none"> • Foods not securely sealed in containers. • Spoiled foods inside appliance. • Appliance has not been properly cleaned, i.e., food and dirt have accumulated inside the unit.
Excessive compressor operation	<ul style="list-style-type: none"> • Long operation of the refrigerator is normal in summer when the ambient temperature is high. • Too many food items have been placed inside the appliance, increasing energy demand. • Foods not properly cooled before placing inside appliance. • The doors are opened too frequently.
Light does not come on	<ul style="list-style-type: none"> • Confirm appliance is connected to power supply and that the light is not damaged. • Have the light replaced by a qualified service technician.
Doors do not close properly	<ul style="list-style-type: none"> • Food is obstructing the door operation. • The refrigerator is not level.
Rattling noise	<ul style="list-style-type: none"> • Confirm floor and refrigerator are level and appliance is not tilted. • Confirm water filter is securely installed.
Door does not seal properly	<ul style="list-style-type: none"> • Confirm door seals are clean and free of obstruction.
Water pan overflows	<ul style="list-style-type: none"> • There is too much food in the freezer or food stored contains too much water, resulting in heavy defrosting. • The doors are not closed properly, resulting in frosting due to entry of air and increased water due to defrosting.
Hot housing	<ul style="list-style-type: none"> • Heat dissipation of the built-in condenser via housing, which is normal. • When housing becomes hot due to high ambient temperature and storage of too much food, it is recommended to provide proper ventilation to facilitate heat dissipation.
Surface condensation	<ul style="list-style-type: none"> • Condensation on the exterior surface and door seals of the refrigerator is normal when the ambient humidity is too high. Remove the condensation with a clean towel.
Abnormal Noise	<ul style="list-style-type: none"> • Buzz: The compressor may produce buzzing sound during operation and the buzzing is loud particularly upon start or stop. This is normal. • Creak: Refrigerant flowing inside of the appliance may produce creak, which is normal.
Ice maker does not make ice	<ul style="list-style-type: none"> • After you install the water line and start the refrigerator, it takes 12 hours to start ice making. • Please turn on the ice making function (see page 17 instructions). • Check whether the water pressure meets 40-100 psi and whether the water line is connected properly. • Check whether the water supply valve is open and whether the water pipe has a restriction. • Check whether the ice storage box is installed properly.

TROUBLESHOOTING

Ice dispenser does not work	<ul style="list-style-type: none">• Confirm there is ice in the ice storage box.• If ice dispenser has not been used for an extended period of time, ice will melt and stick together. Turn off ice maker, empty ice storage box and replace. Turn on ice maker.• Confirm the water supply line is connected properly, the water supply valve is opened, and the water pipe has no restriction.• The ice dispenser can only be used when the refrigerator door is closed.• Confirm the ice storage box is installed.
Water dispenser does not work	<ul style="list-style-type: none">• Confirm water supply line is connected properly, the water supply valve is opened and the water pipe has no restriction.• Confirm the water filter is installed in place.
Water dispenser is too slow	<ul style="list-style-type: none">• Confirm the water pressure is 40-100 psi.• Replace the water filter.
Water drips from the water dispenser	<ul style="list-style-type: none">• It is normal that a few drops of water may drip from the water dispenser. However, if water keeps dripping, please check the connection of the water line.
The water tastes bad	<ul style="list-style-type: none">• If the refrigerator is not used for more than 4 days, drain at least 1 gallon of water.• Replace the water filter and follow proper guidelines for filter replacement schedule.

SHARP[®]

SHARP ELECTRONICS CORPORATION • 100 Paragon Drive • Montvale, New Jersey 07645 • USA

March 10, 2025