

Professional Range 24"

SPR24UIMMW
Matte white
SPR



Compact-design cooker with electric oven and induction or ceramic glass hob: the perfect mix of style, quality and technology thanks to homogeneous and instantaneous heat, maximum safety and attention to consumption.

Features

Induction hob - Induction offers fast cooking and precise temperature control

Vapor Clean - By inserting water into a recess at the bottom of the cavity, steam is generated, which softens the residue and facilitates its removal

Touch control - Easy and intuitive timer setting with a single touch

True-convection - The best cooking performances guaranteed by ventilated circular flow.

Tangential cooling - New cooling system with tangential fan and airflow from the door to the splashback

Soft close - The door is equipped with a specific system for silent closing

Cooktop technical features

Cooking zones	4
Front-left - 1300 W - Booster 1400 W - Ø 18.0 cm	
Rear-left - 2300 W - Booster 3000 W - Ø 18.0 cm	
Front-right - 2300 W - Booster 3000 W - Ø 14.5 cm	
Rear-right - 1300 W - Booster 1400 W - Ø 21.0 cm	

Programs / Functions

No. of cooking functions	8
Cleaning functions	VaporClean

Main oven options

Minimum Temperature	151 °F
Maximum temperature	500 °F

Main Oven Technical Features

Volume	2.79 cu. ft.
Cavity material	EverClean enamel
No. of shelves	5
Removable inner door	Yes
Total no. of door glasses	3
Soft Close system	Yes

Included accessories

Oven wire rack	2
----------------	---

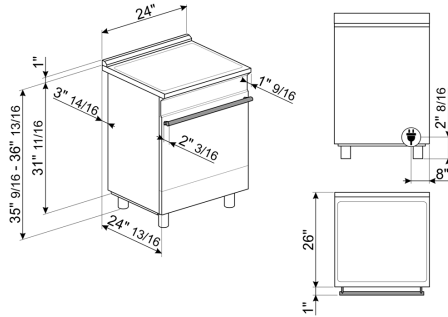
Electrical Connection

Plug	(B) USA 120V
Voltage	208/240 V
Frequency	60 Hz

Logistic Information

Width	23 15/16 "
Depth	25 "
Height	35 9/16 "
Net weight	159 lbs

Product dimension drawing



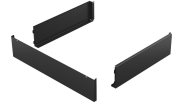
Accessories



GRM
Coffee machine support



GTP
Partial-extension telescopic guides



KITTKSPR24
Plinth, 3 sides, 900mm, SPR cookers 24", black



PALPZ
Pizza shovel with fold away handle



WOKGHU
Cast-iron wok support

Color option



SPR24UIMAN



SPR24UIMX