

Professional Range 30"

SPR30UIMAN
 Matt Black
 SPR



Compact-design cooker with electric oven and induction or ceramic glass hob: the perfect mix of style, quality and technology thanks to homogeneous and instantaneous heat, maximum safety and attention to consumption.

Features

Induction hob - Induction offers fast cooking and precise temperature control

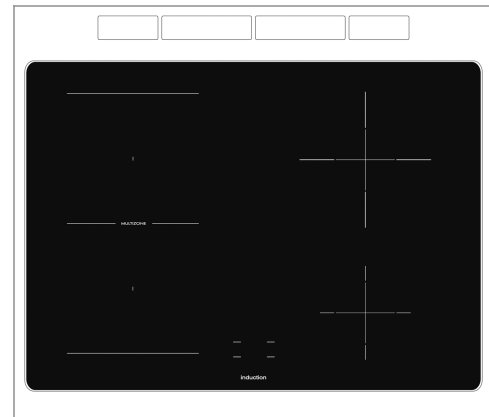
Vapor Clean - By inserting water into a recess at the bottom of the cavity, steam is generated, which softens the residue and facilitates its removal

Touch control - Easy and intuitive timer setting with a single touch

True-convection - The best cooking performances guaranteed by ventilated circular flow.

Tangential cooling - New cooling system with tangential fan and airflow from the door to the splashback

Soft close - The door is equipped with a specific system for silent closing



Cooktop technical features

Cooking zones	4
Rear-left - 1850 W - Booster 3000 W	
Front-left - 1850 W - Booster 3000 W	
Rear-right - 2300 W - Booster 3700 W	
Front-right - 1400 W - Booster 2200 W	

Programs / Functions

No. of cooking functions	8
Cleaning functions	VaporClean

Main oven options

Minimum Temperature	151 °F
Maximum temperature	500 °F

Main Oven Technical Features

Volume	4.56 cu. ft.
Cavity material	EverClean enamel
No. of shelves	6
Removable inner door	No
Total no. of door glasses	3
Soft Close system	Yes

Included accessories

Oven wire rack	2
----------------	---

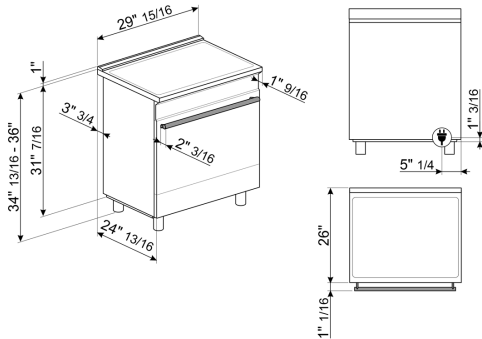
Electrical Connection

Voltage	208/240 V
Frequency	60 Hz

Logistic Information

Width	29 15/16 "
Depth	25 "
Height	34 13/16 "
Net weight	211 lbs

Product dimension drawing



Accessories



GT3T
Total-extraction telescopic guides



KITTKSPR30
Plinth, 3 sides, 900mm, SPR cookers 30\", black



PALPZ
Pizza shovel with fold away handle

Color option

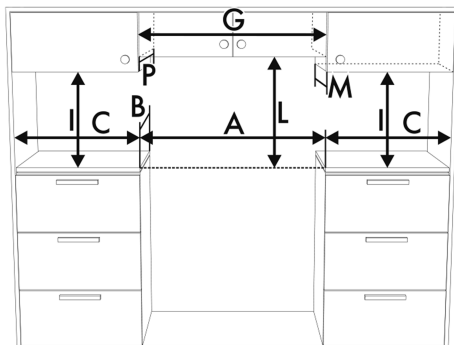


SPR30UIMMW
Color: Matte white



SPR30UIMX
Color: Stainless steel

Product installation drawing



A	24"	610 mm
B	25"	630 mm
C¹	5 ⁷ / ₈ "	150 mm
G²	24"	610 mm
I³	18"	457 mm
L	see user manual	
M⁴	13"	330 mm
P⁴	13"	330 mm