

T36FL810NS

36-INCH STAINLESS STEEL FREESTANDING FRENCH DOOR BOTTOM FREEZER

MASTERPIECE® COLLECTION HANDLES



Also Available In:

T36FL821NS – Professional Collection Handles

FEATURES & BENEFITS

- Best in class lighting: see everything with a fully illuminated back panel and adjustable theater lighting
- Dual evaporators / dual compressors
- Internal ice and water provides easy access with a clean exterior
- ThermaFresh® system, humidity and temperature controlled drawer

STYLE

Door Style	Stainless Steel Panel
Handle Style	Masterpiece®
Interior Finish	Stainless Steel
Door Configuration	4-door

INNOVATION

Wi-Fi-Enabled for Control with Home Connect® App	Yes
Remote Monitoring and Control	Yes
iService Remote	Yes
Camera in the Appliance	No

PERFORMANCE

ThermaFresh® System	Yes
Dual Compressor	Yes
Dual Evaporators	Yes
Automatic Defrosting	Yes

Modes

Eco, Sabbath, Vacation, Demo, SuperCool, SuperFreeze®

Internal Water Dispenser	Yes
Water Filter (6 Months)	Yes
Air Fresh Filter	Yes
Ethylene Filter (6 Months)	Yes

CAPACITY AND STORAGE

Total Capacity (cu. ft.)	20.4
Refrigerator Capacity (cu. ft.)	14.4
Freezer Capacity (cu. ft.)	6
Tiered Freezer Storage Drawer	3 Tier
ThermaFresh® Temperature & Humidity Managed Drawer	1

ThermaFresh® Drawer Modes (° F/Humidity)

Meat/Fish (29° F/Low), Fruit (32° F/Low), Vegetables (32° F/High), Beverages (34° F/Low), Snacks/Misc. (40° F/Low)

Storage Shelves	4 Adjustable, 1 Fixed
Shelf Material	Glass w/Metal Profile
Standard Door Bins	3 Adjustable
Gallon Door Bins	2 Adjustable
Dairy Door Bins	1 Adjustable

GENERAL FEATURES

Full 72" Height and True Counter-Depth for Built-In Appearance	Yes
Internal Control Panel	Yes
Water Tank Capacity (oz.)	30.4
Water Filter Replacement Indicator	Yes
Ice Maker with Diamond Ice System	Yes
Ice Production (24 Hrs.), Diamond Ice (lbs.)	3.5
Ice On / Off	Yes
Ice Storage Capacity (lbs.)	8.8
Lighting	LED Recessed Side Light Bars & Fully Illuminated Back Panel
Independent Cooling Systems	2
Door Alarm	Yes
Cooling System	Multi-Air-Flow
Maximum Sound Level	40 dBA

T36FL810NS

36-INCH STAINLESS STEEL FREESTANDING FRENCH DOOR BOTTOM FREEZER

MASTERPIECE® COLLECTION HANDLES



GENERAL FEATURES (CONTINUED)

ENERGY STAR® Certified	Yes
Annual Energy Consumption*	568 kWh

OPERATING TEMPERATURE

Refrigerator: 33°F (1°C) to 43°F (6°C)
Freezer: -7°F (-22°C) to 6°F (-14°C)
ThermaFresh® Drawer: 29°F (-2°C) to 40°F (4°C) 5 Preset Modes
SuperCool: 36°F (2°C) for 6 Hours
SuperFreeze®: -22°F (-30°C) for 8 hours

INSTALLATION FEATURES

Four Point Front Adjustable with 4 Wheels	Yes
Front Serviceable	Yes

TECHNICAL SPECS

Required Power Supply	110-127 V, 60 Hz, 15 Amp
Plug Type	120V-3-Prong
Power Cord Length (Inches)	67"

DIMENSIONS AND WEIGHT

Overall Width (Inches)	35 5/8"
Overall Height (Inches)	72"
Overall Depth (Inches)	31 1/8"
Overall Depth Without Hinges and Doors (Inches)	24"
Overall Depth With Hinges and Doors, No Handles (inches)	28 3/4"
Required Cutout Size (HxWxD) (Inches)	72" x 36" x 25"
Net Weight (Approx.) (lbs.)	348
Gross Weight (Approx.) (lbs.)	375

*Estimated annual energy consumption. Exact usage may vary.

OPTIONAL ACCESSORIES

Replacement Water Filter	REPLFLTR55
Ethylene Filter Refill (Part No.)	17005225
Ethylene Filter Starter Kit (Part No.)	17005228
Replacement Carbon Air Filter (Part No.)	10009874
90 Degree Door Stopper	10012733

WARRANTY

Limited Warranty, Parts & Labor	2 Years
---------------------------------	---------

SUPPLEMENTAL MATERIAL

CAD File	Click Here to Download
Installation Manual	Click Here to Download
Use & Care Guide	Click Here to Download
Warranty	Click Here to Download
Energy Guide	Click Here to Download
Home Connect® Quick Start Guide	Click Here to Download

T36FL810NS

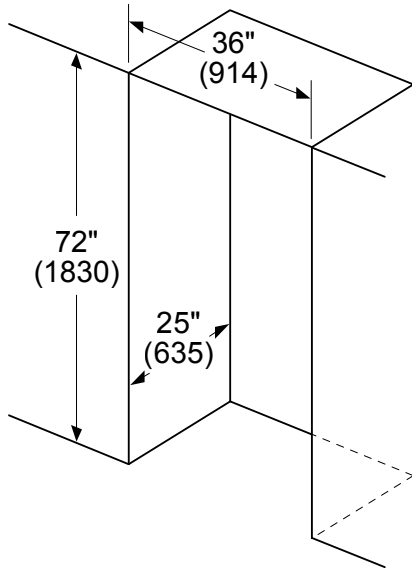
36-INCH STAINLESS STEEL FREESTANDING FRENCH DOOR BOTTOM FREEZER

MASTERPIECE® COLLECTION HANDLES



CUTOUT DIMENSIONS

Measurements in inches (mm)

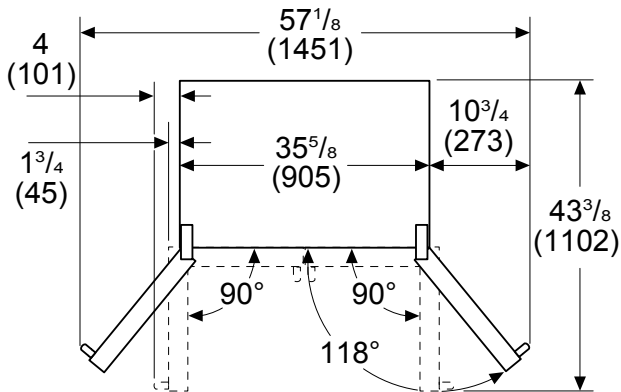


Leave ½" (12.7) gap at the top and 1" (25.4) behind the refrigerator for proper ventilation.

It is recommended that you do not install the refrigerator near a heat source such as a stove or a range.

TOP VIEW CLEARANCE

Measurements in inches (mm)



Drawers can be pulled out with door open to 90°
 Drawers can be taken out with door completely opened

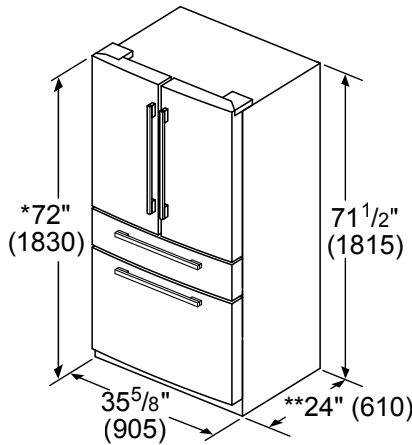
T36FL810NS

36-INCH STAINLESS STEEL FREESTANDING FRENCH DOOR BOTTOM FREEZER

MASTERPIECE® COLLECTION HANDLES

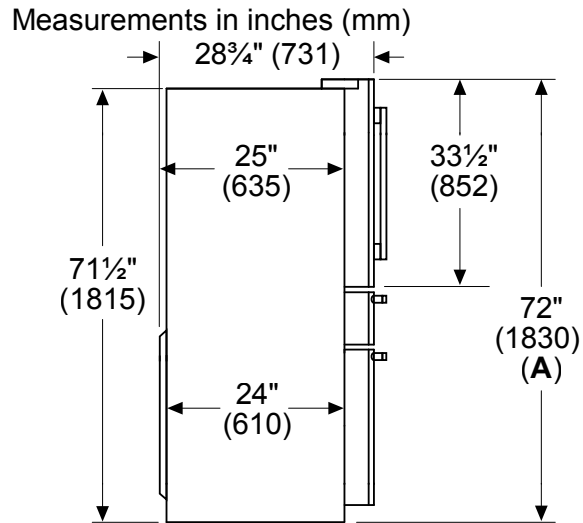


PRODUCT DIMENSIONS



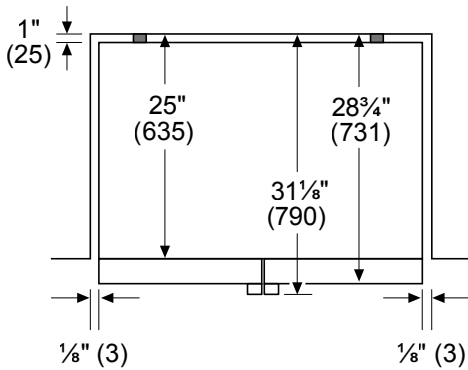
* Add $\frac{5}{8}$ " (17) with front leveling feet fully extended
 ** Add 1" (25) for fixed spacers on back

measurements in inches (mm)



A: Add $\frac{5}{8}$ " (17) with front leveling feet fully extended

measurements in inches (mm)



ACCESSORIES (OPTIONAL)



REPLFLTR55
Replacement Water Filter



17005228
Ethylene Filter Starter Kit



17005225
Ethylene Filter Refill



10012733
90 Degree Door Stopper



10009874
Replacement Carbon Air Filter

These warranties give you specific legal rights and you may have other rights that vary from state to state. Limited warranty from date of delivery. For complete warranty details, refer to your Use & Care manual, or ask your dealer.

Specifications are for planning purposes only. Refer to installation instructions and consult your countertop supplier prior to making counter opening. Consult with a heating and ventilation engineer for your specific ventilation requirements. For the most detailed information, refer to installation instructions accompanying product or write to Thermador indicating the model number. Specifications are correct at time of printing. Thermador reserves the right to change product specifications or design without notice. Some models are certified for use in Canada. Thermador is not responsible for products that are transported from the U.S. for use in Canada.