



Product: 24 Inch Microwave Drawer in Stainless Steel
Model Number: TMD2401

TECHNICAL DETAILS

Installation Type	Built-In
Color/Finish	Stainless Steel
Capacity	1.2 cu. ft.
Output Power	950W
Microwave Drawer Open	Auto Open Button/Hand Assist
Sensor Cook, Reheat and Popcorn	12 Settings
Light, Number, and Type	Incandescent
Timer/Clock	Yes
Interior Oven Light	Yes
Control Lock/ Demo Mode	Yes
Amperage	15 A (Dedicated)
Volts	120 V
Frequency	60Hz
Power Connection	3 - Prong Grounding Plug



CONTROL PANEL DETAILS

Location	Center/Top
Display Type	LCD
Color (Front/Background)	White on Black

FEATURES & BENEFITS

- Drawer Design:** The 24-inch Microwave Drawer is flexible to your kitchen design and can be placed below an island, peninsula, or standard cabinetry or can also be installed adjacent to your wall oven.
- 12 Unique Sensor Functions:** 12 unique easy-to-use food prep functions include everyday functions like defrost and a beverage center as well as luxury features such as two popcorn settings, melting chocolate, and softening ice cream. Use the "add a minute" feature to top off the perfect cook.
- Multiple Power Modes:** Offers 10 power modes for precision heating, from a delicate power mode for melting chocolate to cranking up the power and using 950-watts for cooking and defrosting your favorite foods. The control is at your fingertips.
- Auto Touch Open/Close Control:** Allows you to easily open and close the microwave drawer at the touch of a button.
- Spacious Capacity:** 1.2 cu.ft. capacity can accommodate a variety of different container shapes and sizes.
- Keep Warm Function:** Delivers brief pulses of microwave power to keep your cooked foods warm without overcooking until they're ready to be served.
- Sleek Design:** Stainless steel flush to cabinet design features a white touch LCD display that's easy to operate and easy to clean.



PRODUCT DIMENSIONS & WEIGHTS

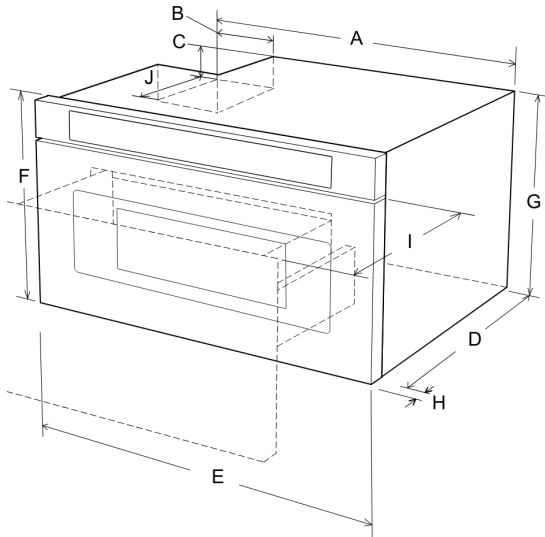
Product Dimensions (W x D x H)	23-7/8" x 23-1/64" x 15-7/8"
Cutout Dimensions (W x D x H)	22-1/8" x 23-1/2" x 14-13/16"
Product Weight	74 lbs
Shipping Weight	86 lbs



WARRANTY: 2 YEARS PARTS AND LABOR

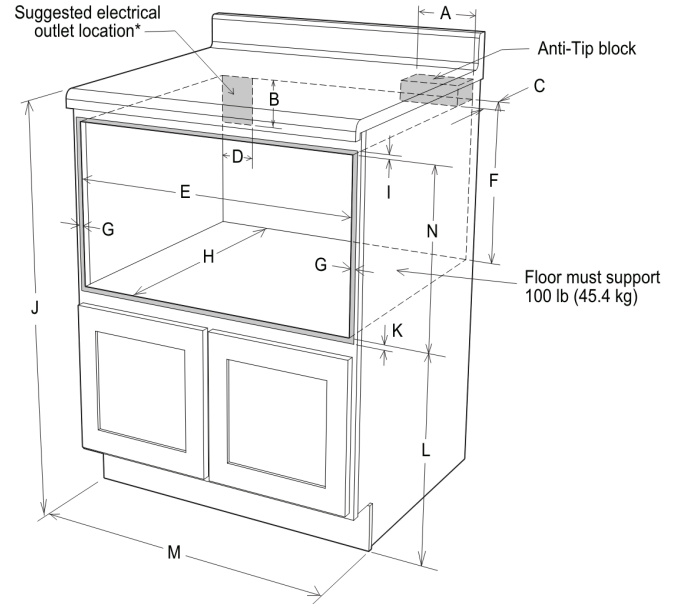


24"Drawer Microwave Product Dimensions



- A** 21-5/8" (549.28 mm) unit width
- B** 4-11/16" (119.06 mm) cord recess width
- C** 1-3/4" (44.45 mm) cord recess height
- D** 21-7/8" (555.60 mm) unit depth without door
- E** 23-7/8" (762 mm) width of door face
- F** 15-7/8" (403.22 mm) height of door face
- G** 14-19/32" (370.69 mm) height of body
- H** 1-9/64" (29 mm) door thickness
- I** 15" (381 mm) auto drawer opening
- J** 4" (101.6 mm) cord recess depth

24"Drawer Microwave Standard Mount Cutout



- A** 6" (152.40 mm) Anti-Tip block width
- B** 5" (127 mm) electrical outlet opening height
- C** 3-1/2" (88.90 mm) Anti-Tip block depth
- D** 4" (101.60 mm) electrical outlet opening width
- E** 22-1/8" (561.98 mm) minimum to 28-7/16" (711.2 mm) maximum opening width
- F** 14-13/16" (376.24 mm) to bottom of Anti-Tip block
- G** Allow 23/32" (18.26 mm) overlap
- H** 23-1/2" (596.90 mm) minimum depth
- I** Allow 3/16" (4.76 mm) overlap
- J** 36" (914.4 mm) countertop height
- K** Allow 1/8" (3.17 mm) overlap
- L** 19" (482.60 mm) to top of floor
- M** 24" (609.6 mm) cabinet minimum width
- N** 15-9/16" (395.27 mm) opening minimum height

