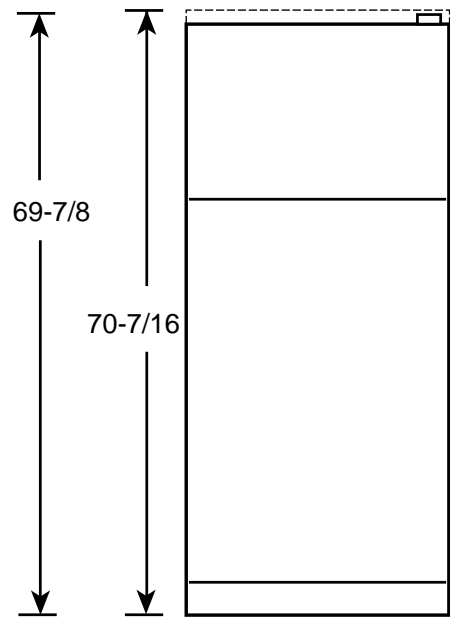




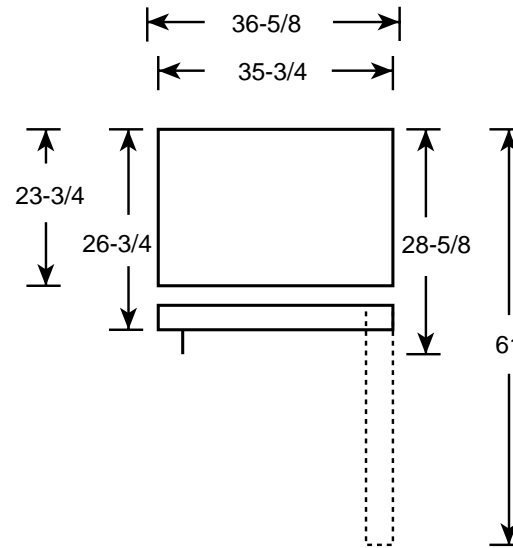
Profile Performance Series™

TNS22BRCBS - GE Profile Performance™ 21.7 Cu. Ft. CustomStyle™ No-Frost Top-Freezer Refrigerator with Dispenser

Case Dimensions (in inches/cm.)



Front View



Top View

Clearances

Handle Side Clearance

-At least 2" (51 mm) on the handle side for fingertip clearances.

Top and Bottom Clearance

-At least 3/16" (4.75 mm) at the top and bottom edges to allow for trim flange.

Hinge Side Clearance

-The installation of 3/4" (19 mm) thick side panels requires less clearance because the space between the door and adjacent countertop is wider.

- To avoid door contact to countertop consider:
 - Miter the corner of the adjacent countertops 45°, or
 - pull the refrigerator forward enough to avoid contact.

IMPORTANT: Before finalizing specifications for your GE Profile Performance™ CustomStyle™ Refrigerator, Please NOTE:

- A minimum of 36" is required for refrigerator installation
- Be sure to allow for 1/2" or 3/4" side panels in addition to the 36" minimum



Total volume and shelf area are calculated by the Association of Home Appliance Manufacturers' standards.



Listed by Underwriters Laboratories



EnergySmart

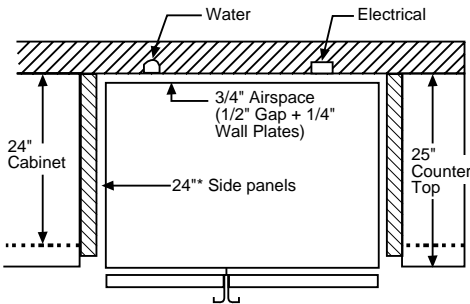
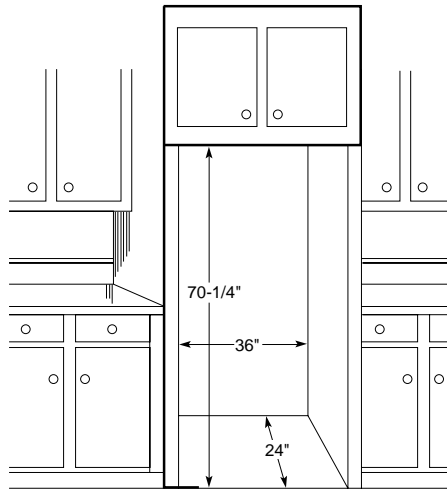
For answers to your Monogram®, GE Profile Performance Series™, GE Profile™ or GE appliance questions, call GE Answer Center® service, 800.626.2000.



Profile Performance Series™

TNS22BRCBS - GE Profile Performance™ 21.7 Cu. Ft. CustomStyle™ No-Frost Top-Freezer Refrigerator with Dispenser

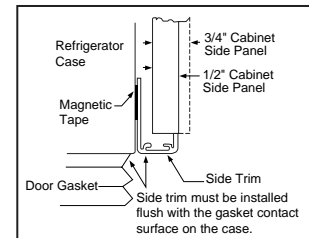
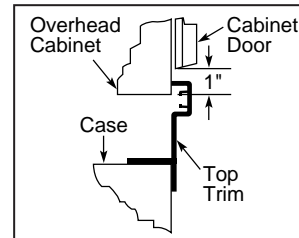
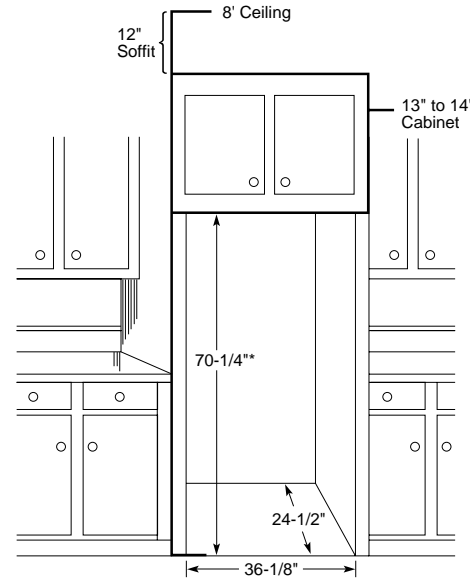
Rough-In Dimensions (in inches)



Standard, New Construction and Replacement Installation Installation Tips to Maximize the Built-In Look

- All wall/floor moulding should be removed prior to installation.
 - Water recess on rear wall recommended to prevent water line damage. 48" minimum length 1/4" diameter water line tubing recommended.
 - When possible, recess both water line and electrical outlet. (See local codes)
 - Front and rear leveling legs are adjustable for the "Built-In" look. (See owner's manual)
- * 22" depth applies to the refrigerator opening, not the actual cabinet depth.

Collar Trim Installation



An enclosure is **required** to match up to the trim, see Typical Installation. To obtain the most integrated look, the cabinet or soffit above the refrigerator should extend out to the same depth as the side panels. The refrigerator opening must have minimum dimensions of 70-1/4" high x 36-1/8" wide x 24-1/2" deep as shown at right. If there is an overhead cabinet, allow 1" for cabinet door clearance with the top trim piece so the cabinet doors can be opened without hitting the top trim. If 1/2" side panels are used, then side trim and panel will be even. If 3/4" side panels are used, then some of the side panel will extend beyond the trim and must be finished.

*The rough-in dimension of 70-1/4" is minimum and is measured from the finished floor to top of opening (or the underside of the overhead cabinets).

For Models with Trim Kit: If frameless style cabinets are planned for above the refrigerator, you may need to consider adding a maximum of 1/4" (70-1/2") to height of opening to allow additional clearance between cabinet doors and top of refrigerator trim when cabinet doors are in open position.

For answers to your Monogram®, GE Profile Performance Series™, GE Profile™ or GE appliance questions, call GE Answer Center® service, 800.626.2000.



Total volume and shelf area are calculated by the Association of Home Appliance Manufacturers' standards.



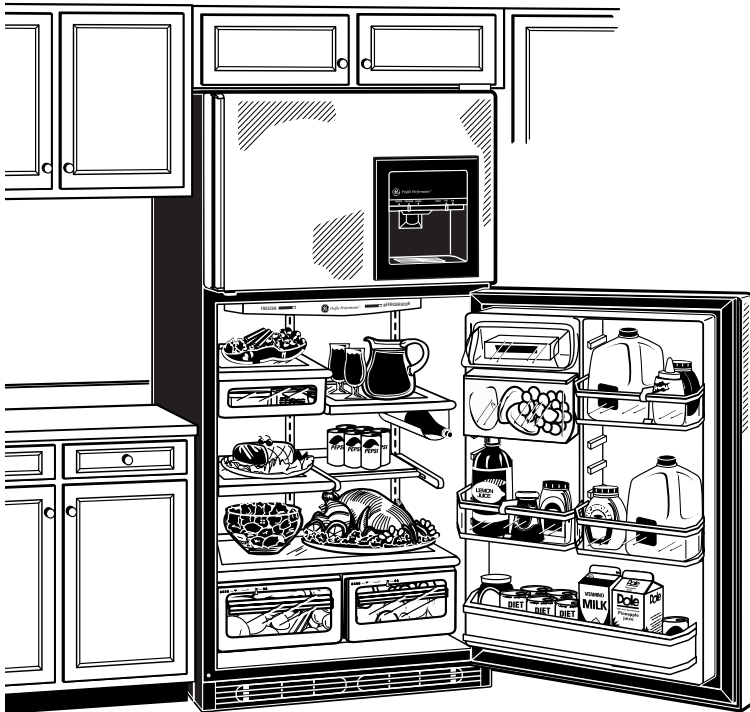
Listed by Underwriters Laboratories





Profile Performance Series™

TNS22BRCBS - GE Profile Performance™ 21.7 Cu. Ft. CustomStyle™ No-Frost Top-Freezer Refrigerator with Dispenser



Features and Benefits

- 21.7 cu ft Capacity (Fresh Food 15.4 cu ft / Freezer 6.3 cu ft)
- LightTouch!™ Dispenser Delivers Chilled Water, Cubed and Crushed Ice Through the Door
- 2 Adjustable Humidity Window Vegetable/Fruit Crispers
- Adjustable Temperature Meat Pan
- Slide-Out, Spill-Proof Crisper Cover
- 4 Adjustable Glass Fresh Food Cabinet Shelves (3 Slide-Out, 3 Spill-Proof)
- 3 Adjustable Modular Door Bins with Gallon Storage
- 1 Fixed Fresh Food Door Shelf
- Quick Space™ Shelf
- Quick Store™ Bin
- Beverage Rack
- Slide-Out, Slide-Over Pans
- Modular Dairy Compartment with Glass Butter Dish
- Snugger™ Clips
- 1 Adjustable Wire Everwhite Freezer Compartment Shelf
- 2 Fixed Freezer Door Bins
- Factory-Installed Automatic Icemaker
- Interior Freezer Light
- Dual Upfront Temperature Controls
- Bright Fresh Food Upfront Lighting
- Stainless Steel Full-Length Door Handles
- Model TNS22BRCBS - Stainless steel