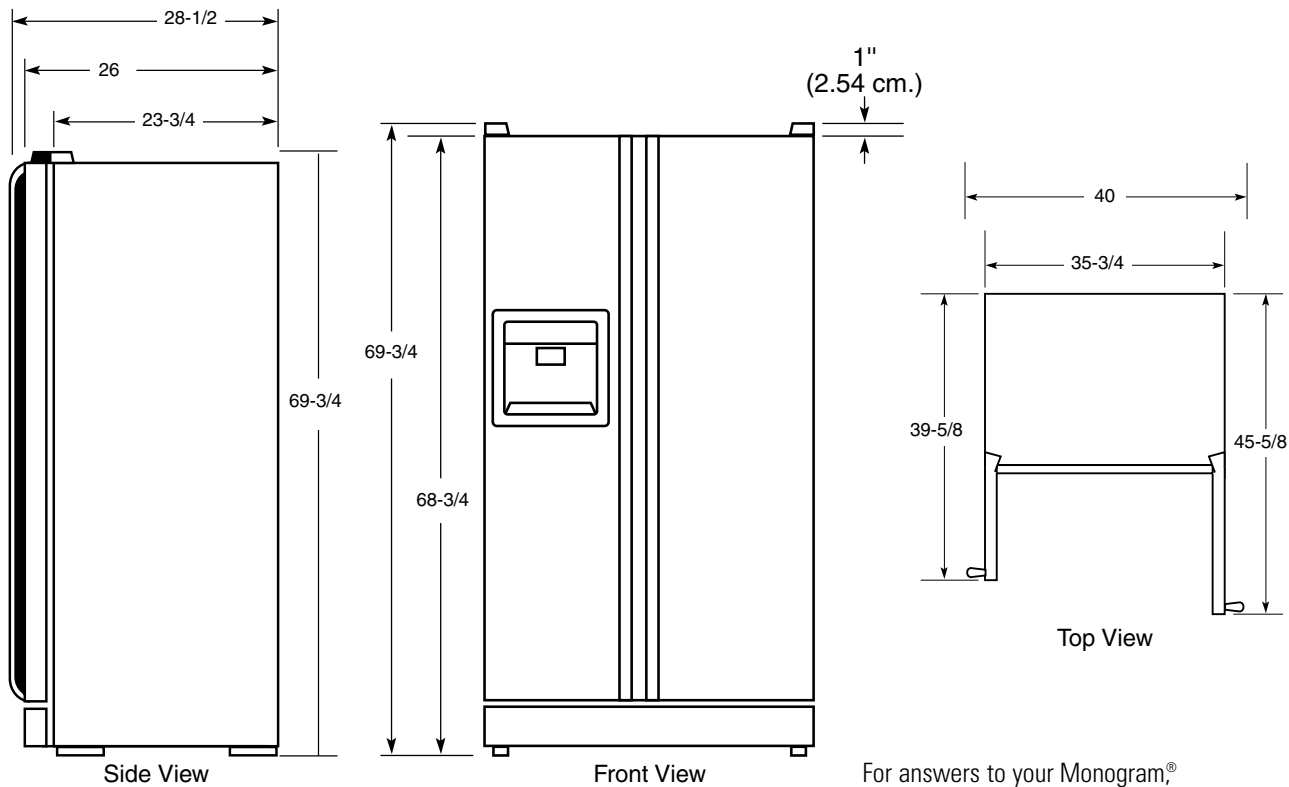




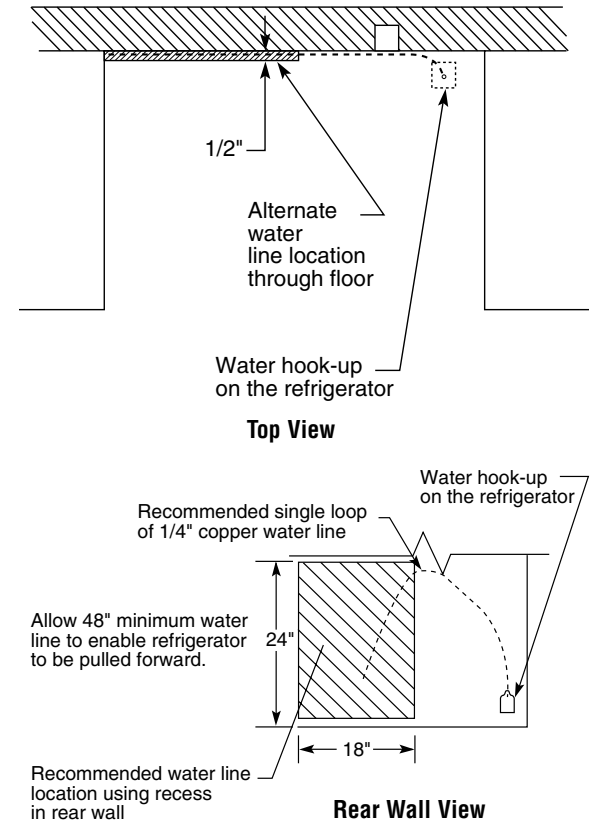
Profile™

# TPX21PRDBB—GE Profile™ 21.0 Cu. Ft. CustomStyle™ Side-by-Side Refrigerator with Dispenser

Case Dimensions (in inches/cm.)



## Installation of Water and Electrical Outlets



For answers to your Monogram®, GE Profile Performance Series™, GE Profile™ or GE appliance questions, call GE Answer Center® service, 800.626.2000.



Total volume and shelf area are calculated by the Association of Home Appliance Manufacturers' standards.



Listed by Underwriters Laboratories



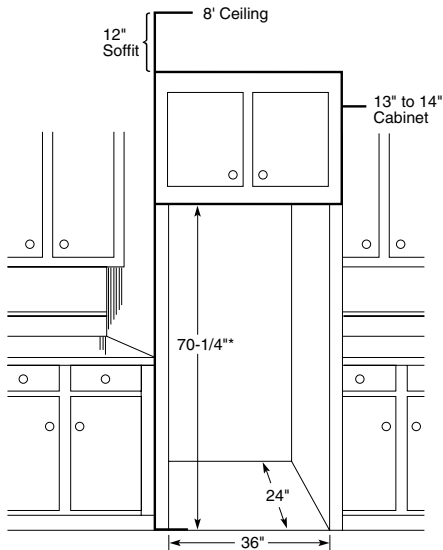
EnergySmart



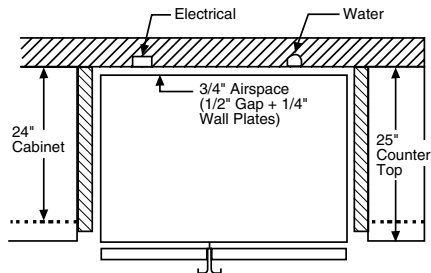
Profile™

# TPX21PRDBB—GE Profile™ 21.0 Cu. Ft. CustomStyle™ Side-by-Side Refrigerator with Dispenser

## Rough-In Dimensions (in inches)



\*The rough-in dimension of 70-1/4" is minimum and is measured from the finished floor to top of opening (or the underside of the overhead cabinets). For Models with Trim Kit: If frameless style cabinets are planned for above the refrigerator, you may need to consider adding a maximum of 1/4" (70-1/2") to height of opening to allow additional clearance between cabinet doors and top of refrigerator trim when cabinet doors are in open position.



### Standard, New Construction and Replacement Installation

#### Installation Tips to Maximize the Built-In Look

- All wall/floor moulding should be removed prior to installation.
- Water recess on rear wall recommended to prevent water line damage. 48" minimum length 1/4" diameter water line tubing recommended.
- When possible, recess both water line and electrical outlet. (See local codes)
- Front and rear leveling legs are adjustable for the "Built-In" look. (See owner's manual)
- If optional collar trim kit is to be used or anticipated, see collar trim installation on next page for different rough-in dimensions.

**IMPORTANT:** Before finalizing for your GE Profile Performance™ and GE Profile™ CustomStyle™ Refrigerator, please NOTE:

- A minimum of 36" is required for Refrigerator installation.
- Be sure to allow for 1/2" or 3/4" side panels in addition to the 36" minimum.

## Door Panel Dimensions (in inches)

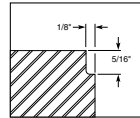
Order your own custom wood panels to match cabinetry or other decor.

	Fresh Food Panels	Freezer Panel With Dispenser	Freezer Panel Without Dispenser	Weight Limits*
<b>21 cu. ft.</b>	G-65-3/16" H-20-1/16"	C-18-3/4" D-14-5/16"	E-32-3/8" F-14-5/16"	Fresh Food = 38 lbs. Freezer = 28 lbs.
<b>24 cu. ft.</b>	G-67-1/8" H-19-5/16"	C-18-13/16" D-14-1/2"	A-67-1/8" B-14-1/2"	Fresh Food = 35 lbs. Freezer = 25 lbs.

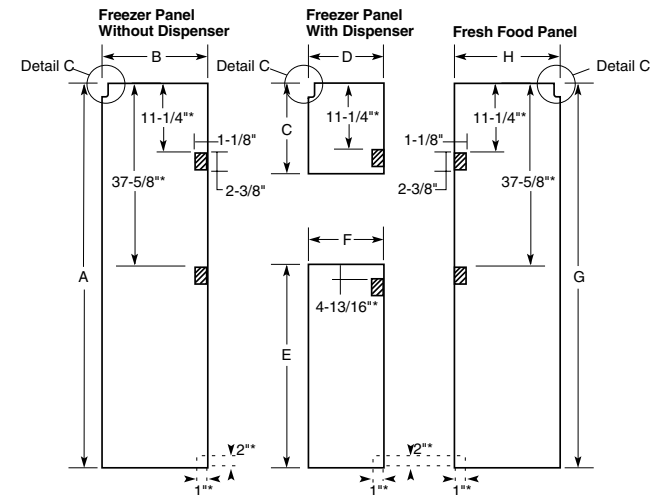
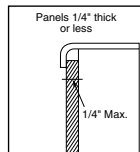
Panels up to 1/4" thick will fit door frame with no special preparation. Add filler behind material thinner than 1/4" for proper fit.

**Note:** Panels up to 3/4" will require special routing area around handles. Dimensions may vary depending on depth of panel.

### Detail C



(Fresh Food panel shown)  
Notch required at top corner as noted.



\*For 24 cu. ft. models only

For answers to your Monogram®, GE Profile Performance Series™, GE Profile™ or GE appliance questions, call GE Answer Center® service, 800.626.2000.



Total volume and shelf area are calculated by the Association of Home Appliance Manufacturers' standards.



Listed by Underwriters Laboratories



EnergySmart



Profile™

## TPX21PRDBB—GE Profile™ 21.0 Cu. Ft. CustomStyle™ Side-by-Side Refrigerator with Dispenser



### Features and Benefits

- 21.0 cu ft Capacity (Fresh Food 13.10 cu ft / Freezer 7.87 cu ft)
- LightTouch! Dispenser Delivers Chilled Water, Cubed and Crushed Ice through the Door
- Freshness Center™ (1 Adjustable Humidity Crisper, 1 Convertible Meat Keeper with Cold Control and 1 Adjustable Humidity Snack Pan) with Spill-Proof Cover
- 3 Adjustable Glass Fresh Food Cabinet Shelves (2 Slide Out, Spill Proof)
- Quick Space™ Shelf
- ShelfSaver™
- 4 ClearLook™ Modular Fresh Food Door Shelves (2 Adjustable with Gallon Storage)
- Beverage Rack
- Dairy Compartment with Glass Butter Dish
- Egg Bin
- 3 Wire Everwhite, Slide Out Freezer Basket
- 1 Sliding Wire Everwhite Freezer Storage Bin
- 4 Freezer Door Shelves
- Quiet Package I
- Color-Matched Premium Deluxe Door Handles
- Model TPX21PRDWW—White on White
- Model TPX21PRDBB—Black on Black
- Model TPX21PRDAA—Almond on Almond