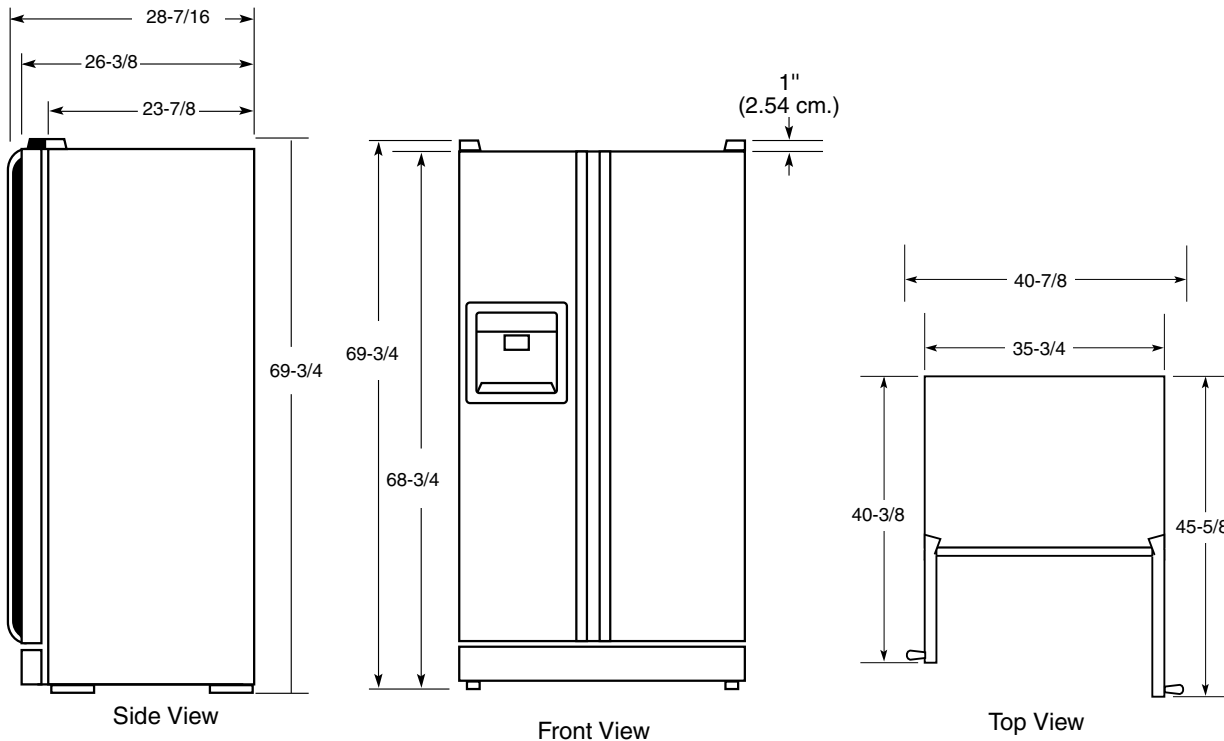




Profile Performance Series™

TPX24PBDBB—GE Profile Performance™ 23.7 Cu. Ft. CustomStyle™ Side-by-Side Refrigerator with Dispenser

Case Dimensions (in inches/cm.)



For answers to your Monogram®,
 GE Profile Performance Series™,
 GE Profile™ or GE appliance questions, call
 GE Answer Center® service, 800.626.2000.

Specification Revised 5/00



Total volume and shelf area are calculated by the Association of Home Appliance Manufacturers' standards.



Listed by Underwriters Laboratories

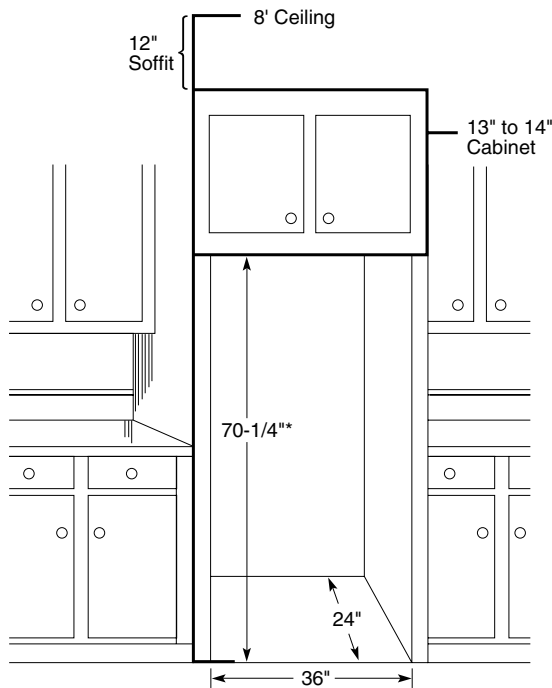




Profile Performance Series™

TPX24PBDBB—GE Profile Performance™ 23.7 Cu. Ft. CustomStyle™ Side-by-Side Refrigerator with Dispenser

Rough-In Dimensions (in inches)



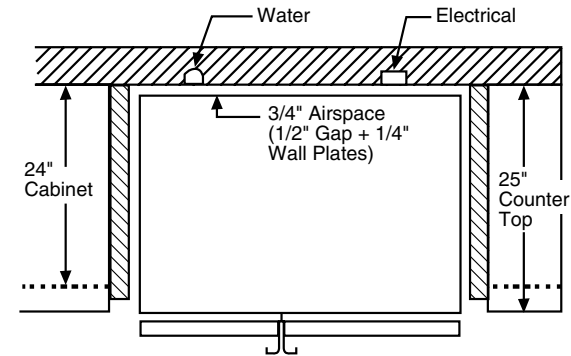
*The rough-in dimension of 70-1/4" is minimum and is measured from the finished floor to top of opening (or the underside of the overhead cabinets). For Models with Trim Kit: If frameless style cabinets are planned for above the refrigerator, you may need to consider adding a maximum of 1/4" (70-1/2") to height of opening to allow additional clearance between cabinet doors and top of refrigerator trim when cabinet doors are in open position.

Standard, New Construction and Replacement Installation

Installation Tips to Maximize the Built-In Look

- All wall/floor moulding should be removed prior to installation.
- Water recess on rear wall recommended to prevent water line damage. 48" minimum length 1/4" diameter water line tubing recommended.
- When possible, recess both water line and electrical outlet. (See local codes)
- Front and rear leveling legs are adjustable for the "Built-In" look. (See owner's manual)
- If optional collar trim kit is to be used or anticipated, see collar trim installation on next page for different rough-in dimensions.

Installation of Water and Electrical Outlets



For answers to your Monogram®, GE Profile Performance Series™, GE Profile™ or GE appliance questions, call GE Answer Center® service, 800.626.2000.



Total volume and shelf area are calculated by the Association of Home Appliance Manufacturers' standards.



Listed by Underwriters Laboratories

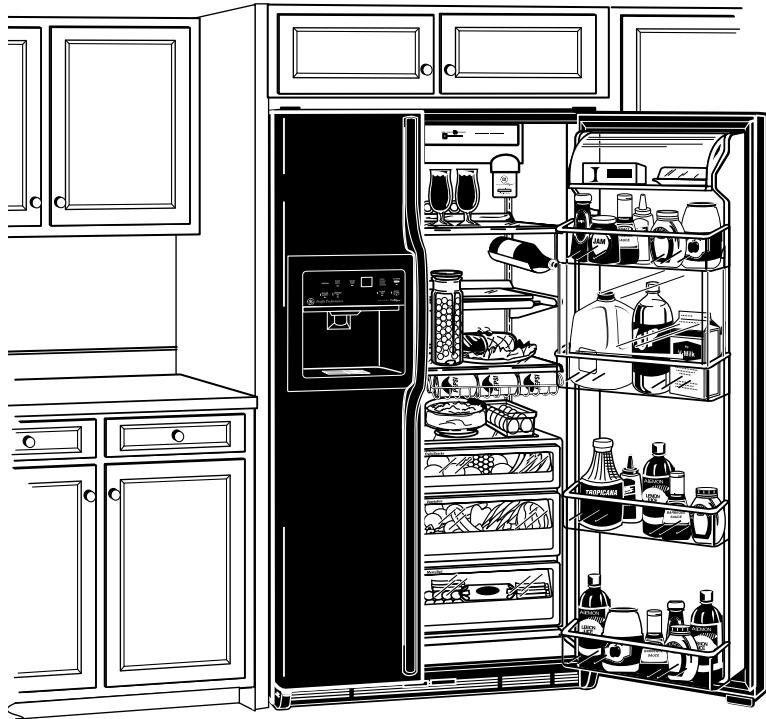


EnergySmart



Profile Performance Series™

TPX24PBDBB—GE Profile Performance™ 23.7 Cu. Ft. CustomStyle™ Side-by-Side Refrigerator with Dispenser



Features and Benefits

- 23.7 cu. ft. Capacity (Fresh Food 14.48 cu ft / Freezer 9.25 cu ft)
- Refreshment Center
- Electronic Monitor System
- Exclusive Water-By-Culligan™ Provides Cleaner, Better Tasting Water and Ice through the LightTouch! Dispenser (Chilled Water, Cubed and Crushed Ice)
- Freshness Center™ (1 Adjustable Humidity Crisper, 1 Convertible Meat Keeper with Cold Control and 1 Adjustable Humidity Snack Pan) with Spill-Proof Cover
- 3 Adjustable Glass Fresh Food Cabinet Shelves (2 Slide Out, Spill Proof)
- Quick Space™ Shelf
- ShelfSaver™
- 4 ClearLook™ Modular Fresh Food Door Shelves (2 Adjustable with Gallon Storage)
- Beverage Rack
- Dairy Compartment with Glass Butter Dish
- Egg Bin
- 3 Cantilevered Freezer Shelves (2 Adjustable)
- 1 Wire Everwhite, Slide Out Freezer Basket
- 1 Sliding Wire Everwhite Freezer Storage Bin
- 4 Freezer Door Shelves (2 Adjustable)
- Quiet Package II
- Color-Matched Premium Deluxe Door Handles
- Model TPX24PBDWW—White on White
- Model TPX24PBDBB—Black on Black
- Model TPX24PBDAA—Almond on Almond
- Model TPX24PBDCC—Bisque
- Model TPS24PBDBS—Stainless Steel

Specification Revised 5/00