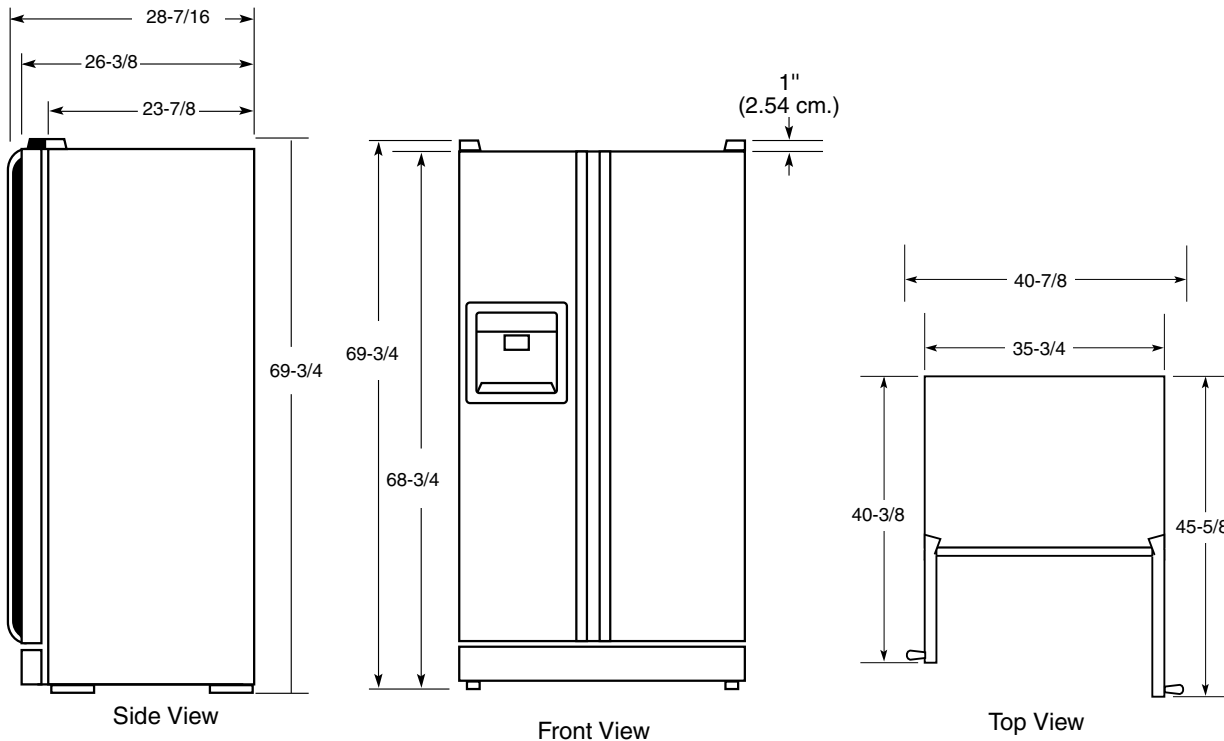




# Profile Performance Series™

## TPX24PPDWW—GE Profile Performance™ 23.7 Cu. Ft. CustomStyle™ Side-by-Side Refrigerator with Dispenser

### Case Dimensions (in inches/cm.)



For answers to your Monogram®,  
 GE Profile Performance Series™,  
 GE Profile™ or GE appliance questions, call  
 GE Answer Center® service, 800.626.2000.

Specification Revised 5/00



Total volume and shelf area are calculated by the Association of Home Appliance Manufacturers' standards.



Listed by Underwriters Laboratories

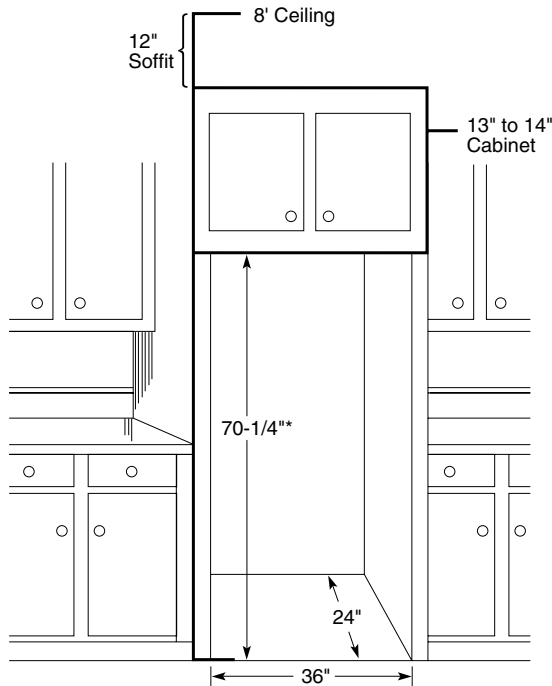




## Profile Performance Series™

# TPX24PPDWW—GE Profile Performance™ 23.7 Cu. Ft. CustomStyle™ Side-by-Side Refrigerator with Dispenser

### Rough-In Dimensions (in inches)



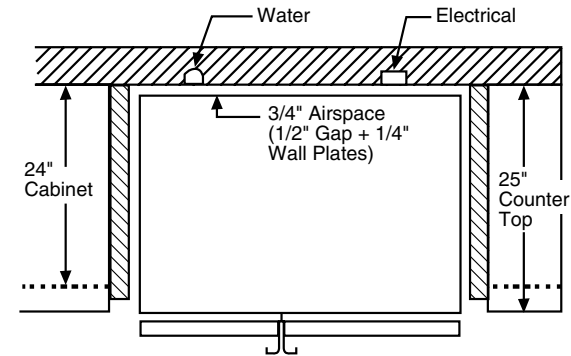
\*The rough-in dimension of 70-1/4" is minimum and is measured from the finished floor to top of opening (or the underside of the overhead cabinets). For Models with Trim Kit: If frameless style cabinets are planned for above the refrigerator, you may need to consider adding a maximum of 1/4" (70-1/2") to height of opening to allow additional clearance between cabinet doors and top of refrigerator trim when cabinet doors are in open position.

### Standard, New Construction and Replacement Installation

#### Installation Tips to Maximize the Built-In Look

- All wall/floor moulding should be removed prior to installation.
- Water recess on rear wall recommended to prevent water line damage. 48" minimum length 1/4" diameter water line tubing recommended.
- When possible, recess both water line and electrical outlet. (See local codes)
- Front and rear leveling legs are adjustable for the "Built-In" look. (See owner's manual)
- If optional collar trim kit is to be used or anticipated, see collar trim installation on next page for different rough-in dimensions.

### Installation of Water and Electrical Outlets



For answers to your Monogram®, GE Profile Performance Series™, GE Profile™ or GE appliance questions, call GE Answer Center® service, 800.626.2000.



Total volume and shelf area are calculated by the Association of Home Appliance Manufacturers' standards.



Listed by Underwriters Laboratories

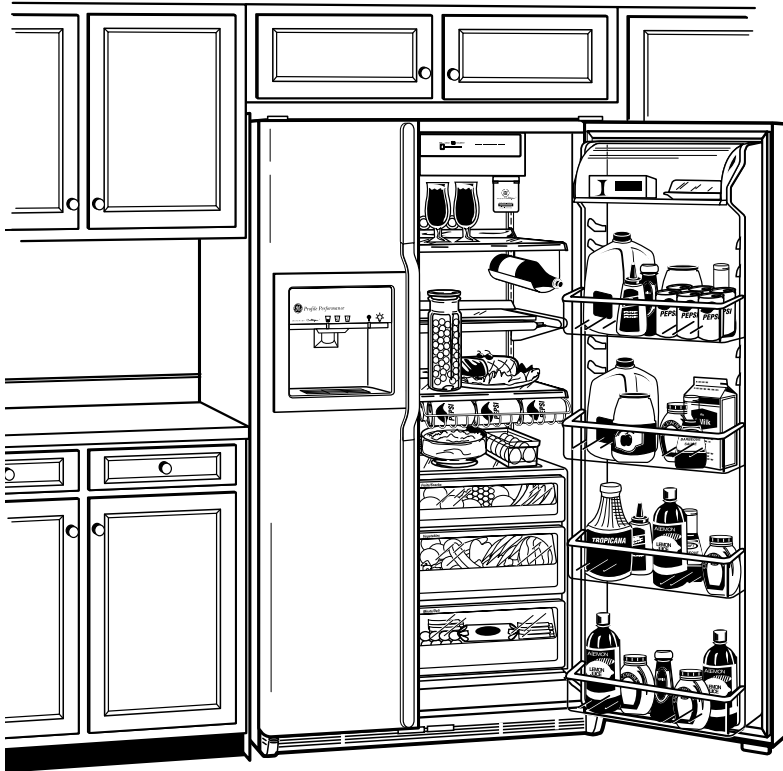


EnergySmart



## Profile Performance Series™

### TPX24PPDWW—GE Profile Performance™ 23.7 Cu. Ft. CustomStyle™ Side-by-Side Refrigerator with Dispenser



#### Features and Benefits

- 23.7 cu. ft. Capacity (Fresh Food 14.48 cu ft / Freezer 9.25 cu ft)
- Exclusive Water-By-Culligan™ Provides Cleaner, Better Tasting Water and Ice through the LightTouch! Dispenser (Chilled Water, Cubed and Crushed Ice)
- Freshness Center™ (1 Adjustable Humidity Crisper, 1 Convertible Meat Keeper with Cold Control and 1 Adjustable Humidity Snack Pan) with Spill-Proof Cover
- 3 Adjustable Glass Fresh Food Cabinet Shelves (2 Slide Out, Spill Proof)
- Quick Space™ Shelf
- ShelfSaver™
- 4 ClearLook™ Modular Fresh Food Door Shelves (2 Adjustable with Gallon Storage)
- Beverage Rack
- Dairy Compartment with Glass Butter Dish
- Egg Bin
- 3 Cantilevered Freezer Shelves (2 Adjustable)
- 1 Wire Everwhite, Slide Out Freezer Basket
- 1 Sliding Wire Everwhite Freezer Storage Bin
- 4 Freezer Door Shelves (2 Adjustable)
- Quiet Package II
- Color-Matched Premium Deluxe Door Handles
- Model TPX24PPDWW—White on White
- Model TPX24PPDBB—Black on Black
- Model TPX24PPDAA—Almond on Almond
- Model TPX24PPDCC—Bisque
- Model TPS24PPDBS—Stainless Steel