

TWD 360 WP 8kg  
 T1 Heat-Pump Dryer:  
 18 lb | DirectSensor | Honeycomb drum | FragranceDos<sup>2</sup> | Miele@home | EcoDry



- Heat pump technology – low consumption, gentle drying
- PerfectDry ensures that your laundry is not too damp or too dry
- FragranceDos<sup>2</sup> ensures that your laundry smells fresh after drying\*
- ENERGY STAR<sup>®</sup> qualified
- Easy fingertip operation – DirectSensor

\* Patent EP 2 431 516

EAN: 4002516379409 / Material number: 11619730 /  
 Old Material Number: 12WD3602USA

<b>General information</b>	
Model number	TWD 360 WP 8kg
Manufacturer material number	11619730
EAN number	4002516379409
Marketing class	Gold
<b>Design</b>	
Stackable	•
Door hinging	right, Reversible
Side-by-Side	•
Slot-in	•
<b>Type</b>	
Product brand	T1 White Edition
Heat-pump dryer	•
<b>Design</b>	
Appliance color	Lotus white
Control panel color	Lotus white
Door design	Obsidian Black with white ring
Rotary selector color	Lotus White
Fascia panel version	5° inclined
Control type	Selector dial
Display	DirectSensor yellow, 7 segment
<b>Drying results</b>	
PerfectDry precision drying	•
FragranceDos <sup>2</sup> fragrance system	•
Intelligent drum reversal	•
<b>Gentle laundry care</b>	
Honeycomb drum	•
Load in lbs. (kg)	18 (8)
<b>User convenience</b>	
Networking with Miele@home	•
Delay start up to 24 hours	•
Countdown indicator	•
Drum lighting	LED
Condensed water container	•
Integrated condensed water drainage	•
AddLoad	•
<b>Efficiency and sustainability</b>	
EcoDry technology	•
Maintenance-free heat exchanger	•
ProfiEco motor	•
<b>Drying programs</b>	
Delicates	•
Express	•
Outerwear	•
Proofing	•
Warm air/DryFresh	•

TWD 360 WP 8kg  
 T1 Heat-Pump Dryer:  
 18 lb | DirectSensor | Honeycomb drum | FragranceDos<sup>2</sup> | Miele@home | EcoDry



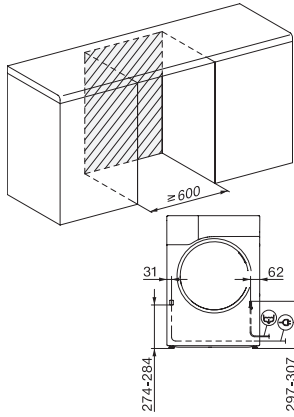
EAN: 4002516379409 / Material number: 11619730 /  
 Old Material Number: 12WD3602USA

Normal	•
Woolens/Silks	•
Dress Shirts	•
Denims	•
Bed Linens	•
<b>Drying extras</b>	
Anti-crease action	•
Gentle tumble	•
Acoustic signal	•
<b>Quality</b>	
Soft ribs	•
<b>Safety</b>	
Lock code	•
Empty out container" indicator	•
Clean filter" indication	•
Optical interface	•
<b>Technical data</b>	
Dimensions (H x W x D) in inches (mm)	33 1/2 (850) x 23 1/2 (596) x 25 3/8 (643)
Dimensions (width) in in. (mm)	23 1/2 (596)
Dimensions (height) in in. (mm)	33 1/2 (850)
Dimensions (depth) in in. (mm)	25 3/8 (643)
Weight in lbs. (kg)	133 (60)
Voltage in V	120
Fuse rating in A	15
Frequency in Hz	60
Total rated load in kW	1.00
Length of supply lead in ft. (m)	6 (2)
Length of supply lead in ft. (m)	6 (2.0)
Length of supply lead in ft. (m)	6 (2)
Type of coolant	R134a
Refrigerant quantity in lbs (kg)	1.03 (0.47)
<b>Standard accessories</b>	
Fragrance flacon	•
Voucher for a second fragrance flacon	•

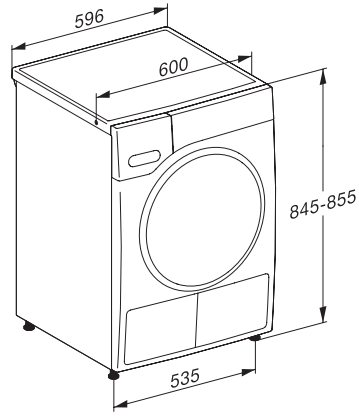
TWD 360 WP 8kg

T1 Heat-Pump Dryer:

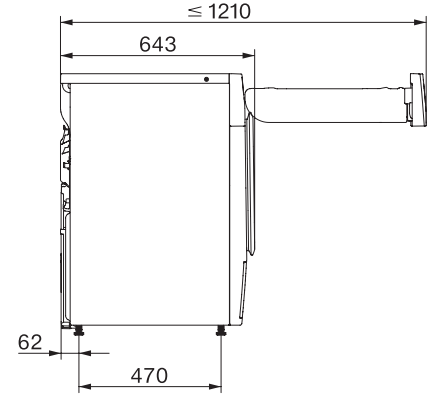
18 lb | DirectSensor | Honeycomb drum | FragranceDos<sup>2</sup> | Miele@home | EcoDry



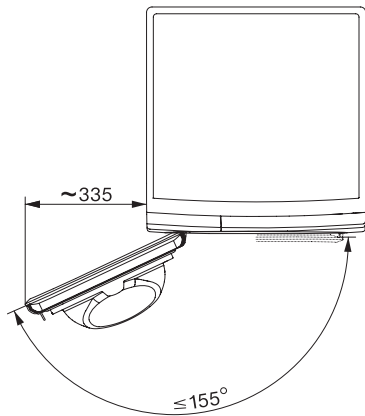
T1 installation drawing, facia 5 degree, measures in mm



T1 drawing, facia 5 degree, measures in mm



T1 drawing, facia 5 degree, with porthole, measures in mm



T1 drawing, facia 5 degree, measures in mm