

FEATURES & BENEFITS



STAINLESS
FRAME



INTEGRATED
FRAME (STAINLESS
HANDLELESS
PANEL)*



INTEGRATED
FRAME

PERFORMANCE	<ul style="list-style-type: none"> • Volume of 3.6 cu ft holds up to 31 wine bottles (750 ml) • Digital Touch Pad Control is conveniently located on upper face of unit • Temperature range: 38°F - 65°F • Convection cooling system rapidly and efficiently takes items to the set temperature • Rubber mounted compressor virtually eliminates vibration
INTERIOR/EXTERIOR	<ul style="list-style-type: none"> • Black interior is illuminated with LED lighting that automatically turns off when the door is closed, or can be set to stay on for 3 hours • Full extension black coated wine racks allow for easy access and prevent bottles from shifting • Wine racks accommodate a variety of bottle shapes and sizes, while the fourth and fifth racks allow for larger diameter wine and champagne bottles • LowE coated, argon gas filled triple thermopane glass door provides protection from harmful UV light • Stainless steel handle (7/8" diameter) • The door swing is field reversible and is shipped right-hand hinged • Designed to be built-in (galvanized exterior cabinet)
INTEGRATION	<ul style="list-style-type: none"> • Robust, concealed and covered hinges with built-in door stop and closer • Integrated model requires 3/4" custom panel of your choice, or can accept U-Line Handleless Stainless Panel Accessory (must be ordered separately) • Fixed grille can accept an integrated toe-kick • Four independently adjustable leveling legs provide a precise undercounter fit

MODEL DETAILS

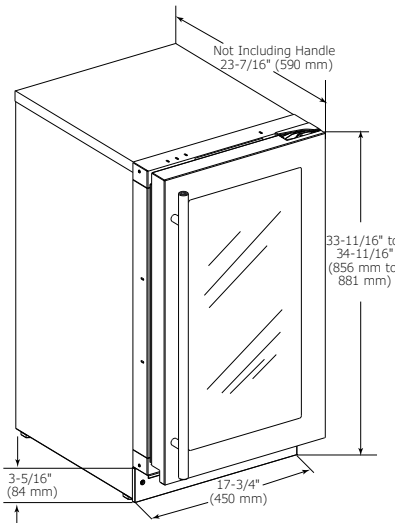
Model	Voltage/Hz	Door Swing	Finish	Shipping Weight
U-2218WCS-00B	115 / 60	Field Reversible	Stainless Frame	134 lb
U-2218WCINT-00B	115 / 60	Field Reversible	Integrated Frame	132 lb

ACCESSORIES

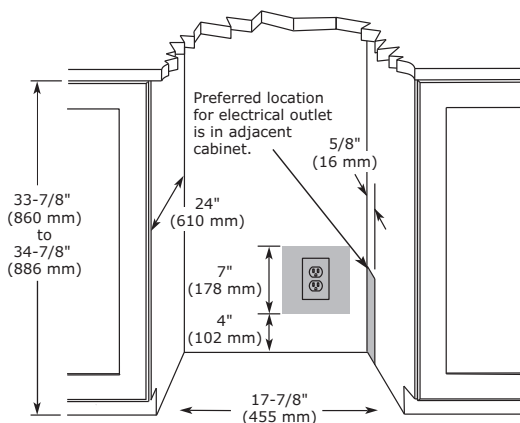
Model	Description	Finish	Shipping Weight
ULASHP18FRAME*	Stainless Handleless Panel Frame	Stainless	6 lb

DIMENSIONS

Dimensions shown apply to all finishes, including Integrated (INT) models with 3/4" integrated panel/frame installed.



CABINET CUT-OUT



INSTALLATION NOTES

When installing adjacent to wall, ensure 2 1/2" clearance on hinged side for 90° door opening, allowing ample room for door handle.

No additional clearance around sides, top or rear of unit is needed for ventilation.

Do not obstruct front grille air flow.

WARRANTY

- 1 Year (parts & labor) / 5 year sealed system (parts)
- + **Additional 1 Year (parts & labor) warranty at no cost with product registration**

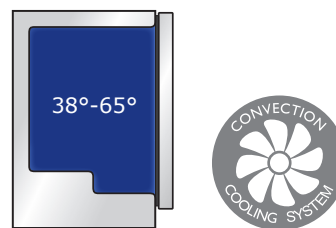
See complete warranty for details

All Specifications are subject to change without notice.

SPECIFICATIONS

Model	2218WC
Amps: Running	1.2
Capacity: Average Volume (cu ft)	3.6
Capacity: Wine Bottle (750 ml)	31
Control Type	Digital Touch Pad
Dimensions: Product Depth	23 7/16" / 590 mm
Dimensions: Product Height	33 11/16" / 856 mm
Dimensions: Product Width	17 3/4" / 450 mm
Energy Consumption: Avg. Per Year	85 kWh
ENERGY STAR	N/A
Panel Height	30" / 762 mm
Panel Thickness	3/4" / 20 mm
Panel Type	2 3/4" / 70 mm Frame Panel
Panel Width	17 5/8" / 445 mm
Product Weight: Max	125 lb
Refrigerant Type	R600a (1.06 oz)
Sabbath (Star K Certified)	Yes
Temperature Range	38°F - 65°F

COOLING SYSTEM



ELECTRICAL REQUIREMENTS

This unit requires a grounded, polarized 115 VAC, 60 Hz, 15 A power supply (normal household current).

