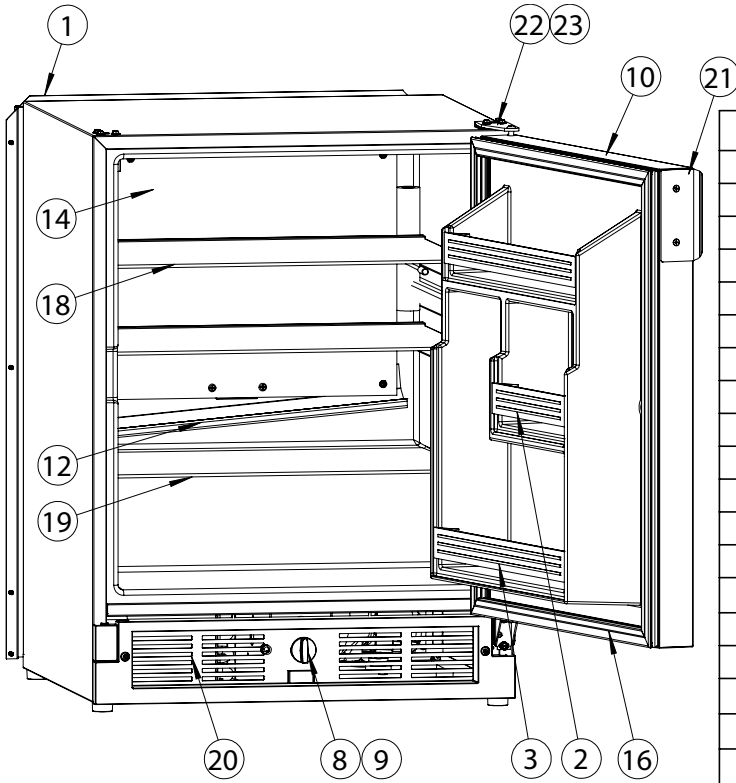
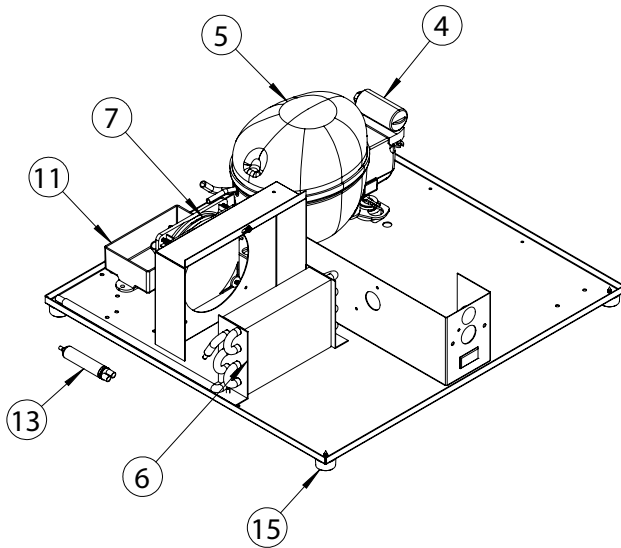


# USER GUIDE

## Parts



U-29RW-13A		
Item	Description	U-Line P/N
1	BACK PANEL	80-54505-00
2	BOTTLE RETAINER , LONG	80-54530-00
3	BOTTLE RETAINER , SHORT	80-54533-00
4	COMPRESSOR ELECTRICALS ONLY	80-54149-00
5	COMPRESSOR W/ELECTRICALS	80-54150-00
6	CONDENSER ASSEMBLY	80-54521-00
7	CONDENSER FAN W/SCREWS	80-54014-00
8	CONTROL ASSEMBLY	80-54192-00
9	CONTROL KNOB	80-54975-00
10	DOOR ASSEMBLY WHT, RH, LOCK W/O HINGES	80-54551-00
11	DRAIN PAN	80-54217-00
12	DRAIN TROUGH ASSEMBLY	80-54520-00
13	DRIER	80-54055-00
14	EVAPORATOR ASSEMBLY	80-54518-00
15	FEET (4)	80-54529-00
16	GASKET, DOOR	80-55660-06
17	GASKET-FITS PRE-2022 DOOR ONLY *	80-54545-00
18	GLASS SHELF (1)	80-54525-00
19	GLASS SHELF (1) BTM	80-54527-00
20	GRILLE W/SCREWS	80-54544-00
21	HANDLE W/SCREWS	80-54546-00
22	HINGES (2) W/SCREWS	80-54547-00
23	HINGES, WHT, 29RW 2022 AND NEWER	80-54547-01
24	KEYS, BABY LOCK *	80-54330-00
25	PACKAGING *	80-54517-00
26	POWER CORD *	80-54528-00
27	TRANSFORMER *	80-54203-00
28	UNIVERSAL LOCK ASSY *	80-54153-00



\* NOT PICTURED