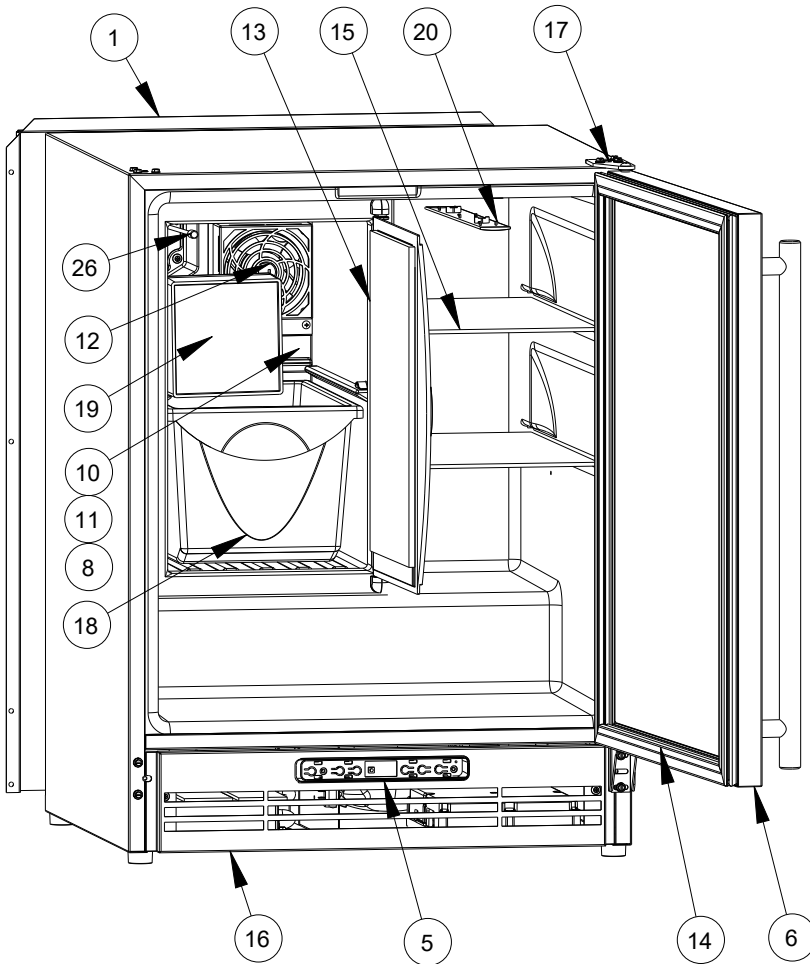


USER GUIDE

Parts



UARI121-WS01A		
Item	Description	U-Line P/N
1	BACK PANEL R121	80-55660-02
2	COMPRESSOR EM2C46CLC,115V,R600	80-55658-11
3	CONDENSER ASSEMBLY	80-55660-03
4	CONDENSER FAN W/SCREWS	80-54014-00
5	DISPLAY ASSEMBLY, WHITE	80-55660-13
6	DOOR ASSEMBLY, UARI, WHITE	80-55660-12
7	DRAIN PAN	80-54217-00
8	DRAIN PAN, EVAP	80-54361-00
9	DRIER	80-54055-00
10	EVAPORATOR ASSEMBLY W/HEATER	80-55583-00
11	EVAPORATOR COVER W/SCREWS	80-54312-00
12	EVAPORATOR FAN	80-54310-00
13	FREEZER DOOR ASSEMBLY	80-54308-00
14	GASKET, DOOR	80-55660-06
15	GLASS SHELF (1)	80-54559-00
16	GRILLE ASSEMBLY, WHITE	80-55660-09
17	HINGE ASSEMBLY, CHROME	80-55433-00
18	ICE BUCKET	80-54370-00
19	ICE MAKER ASSEMBLY R600	80-54589-01
20	LED LIGHT STRIP AND COVER ASSY	80-54000-00
21	LEG LEVELERS (4)	80-54019-00
22	MAGNET *	80-54902-00
23	MAIN BOARD	80-55398-00
24	POWER CORD, EXTERNAL *	80-55519-00
25	REED SWITCH ASSEMBLY **	80-54805-00
26	THERMISTOR (1PC)	80-54006-00
27	THERMISTOR, HI TEMP *	80-54006-01
28	WATER LINE ASSEMBLY *	80-54357-00
29	WATER VALVE ASSEMBLY	80-54356-00
30	WIRE HARNESS,LOW VOLTAGE *	80-55519-02

** REED SWITCH LOCATED BEHIND DISPLAY

* NOT PICTURED

