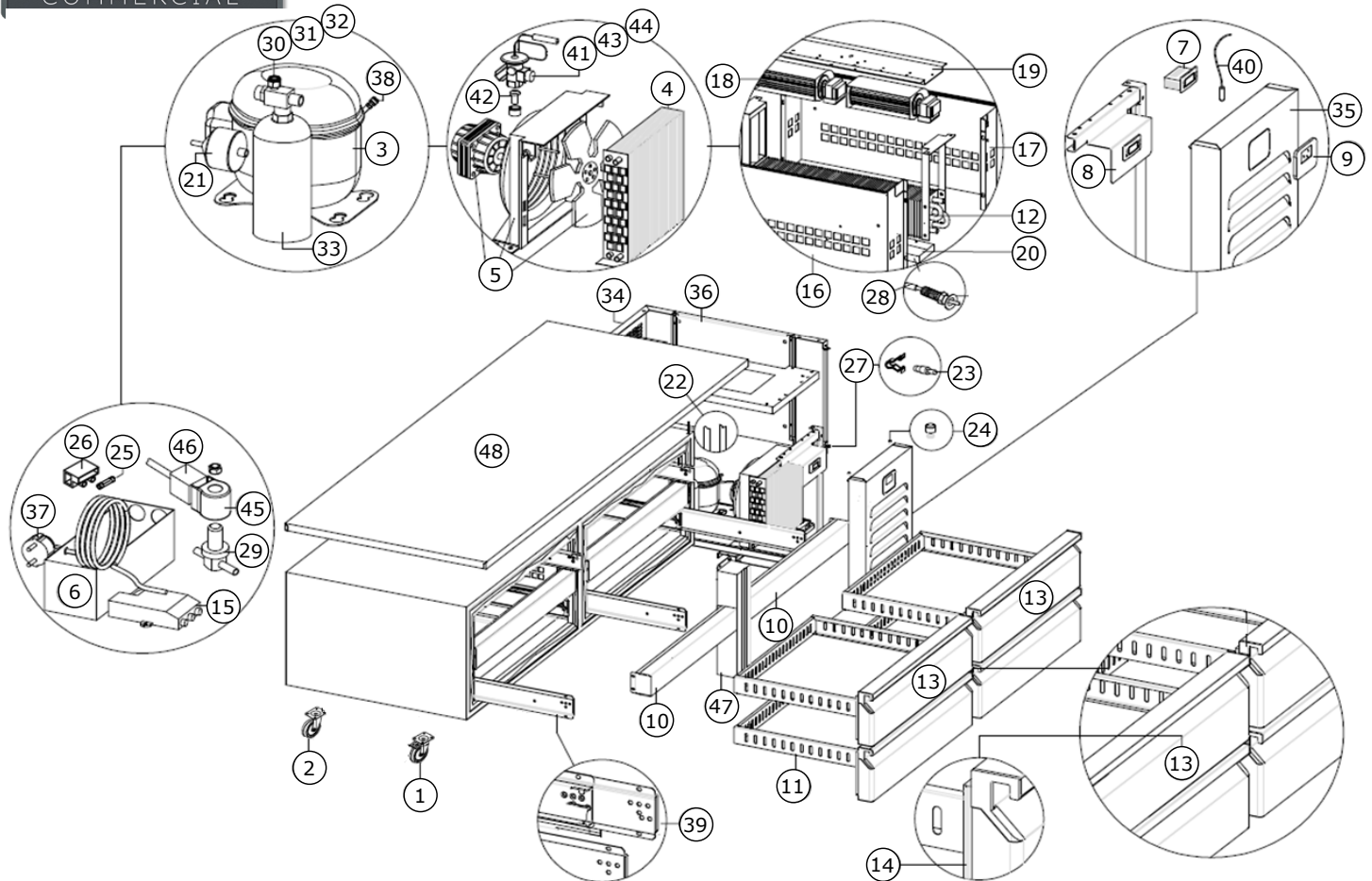


UCFB572-SS61A • Freezer Base



1	CASTOR, SWIVEL W/BRAKE	80-55649-00
2	CASTOR, SWIVEL W/OUT BRAKE	80-55657-13
3	COMPRESSOR, 115V/60HZ	80-55622-09
4	CONDENSER COIL	80-55623-04
5	CONDENSER FAN ASSY	80-55624-02
6	CONDENSATE PAN, SS WELDED	80-55658-15
7	CONTROLLER	80-55625-02
8	CONTROLLER HOLDER	80-55658-04
9	CONTROLLER, SEE THROUGH	80-55658-09
10	CROSSBEAM FOR DRAWERSET 26"	80-55658-01
11	DRAWER BACKFRAME W/ROLLER	80-55658-17
12	EVAPORATOR COIL 550X105X90MM	80-55658-02
13	DRAWER FRONT PANEL 26"CHEFBASE	80-55658-18
14	DRAWER GASKET MOD.26" CHEFBASE	80-55658-19
15	ELECTRICAL BOX MOD. PA104N-P-N	80-55657-17
16	EVAPORATOR COVER, LEFT SS	80-55659-13
17	EVAPORATOR COVER, RIGHT SS	80-55659-11
18	EVAPORATOR FAN 115V	80-55630-01
19	EVAPORATOR FAN HOLDING BRACKET	80-55659-09
20	EVAPORATOR TRAY CHEFBASE	80-55659-12
21	FILTER DRIER	80-55631-00
22	FRAME HEATER 15W/M 7000MM	80-55657-30
23	FRONT PANEL HOLDING PIN MOD M4	80-55657-00
24	FRONT PANEL TOP PIN 7X17MM	80-55657-02

25	FUSE F5X20 1A 250V UL	80-55657-03
26	FUSE HOLDER MOD. 503SI	80-55657-04
27	HAIRPIN INSER MOD. MC90	80-55659-17
28	HEATER, DRAINAGE 35W 115V	80-55659-15
29	HOT GAS SOLENOID VALVE 10SM10	80-55657-06
30	KING VALVE CONNECTOR 6MMFLARE	80-55657-05
31	KING VALVE ROTALOCK 1/4"FLARE	80-55623-11
32	KING VALVE SEAL, 3/4"	80-55657-07
33	LIQUID RECVR 0,53LT RT-306V-TR	80-55659-06
34	MOTOR COMP BACK PANEL	80-55659-07
35	MOTOR COMPARTMENT FRONT PANEL	80-55657-10
36	MOTOR COMPARTMENT SIDE PANEL	80-55657-11
37	POWER CORD	80-55641-03
38	PRESSURE VALVE	80-55657-12
39	ROLLER RUNNERS (PAIR)	80-55643-01
40	TEMPERATURE PROBE, NTC	80-55645-00
41	TX EXPANSION VALVE ASSEMBLY	80-55657-14
42	TX ORIFICE MOD.2200XS 0X	80-55657-15
43	TX VALVE INSULATION PRTCN	80-55657-16
44	TX VALVE WELDING CONNECTOR	80-55646-00
45	VALVE COIL	80-55659-08
46	VALVE COIL CABLE MOD. 9150/R02	80-55657-31
47	VERTICAL CHAMBER DIVIDER	80-55657-32
48	WORKTOP CHEFBASE 72"X32,5"	80-55659-10