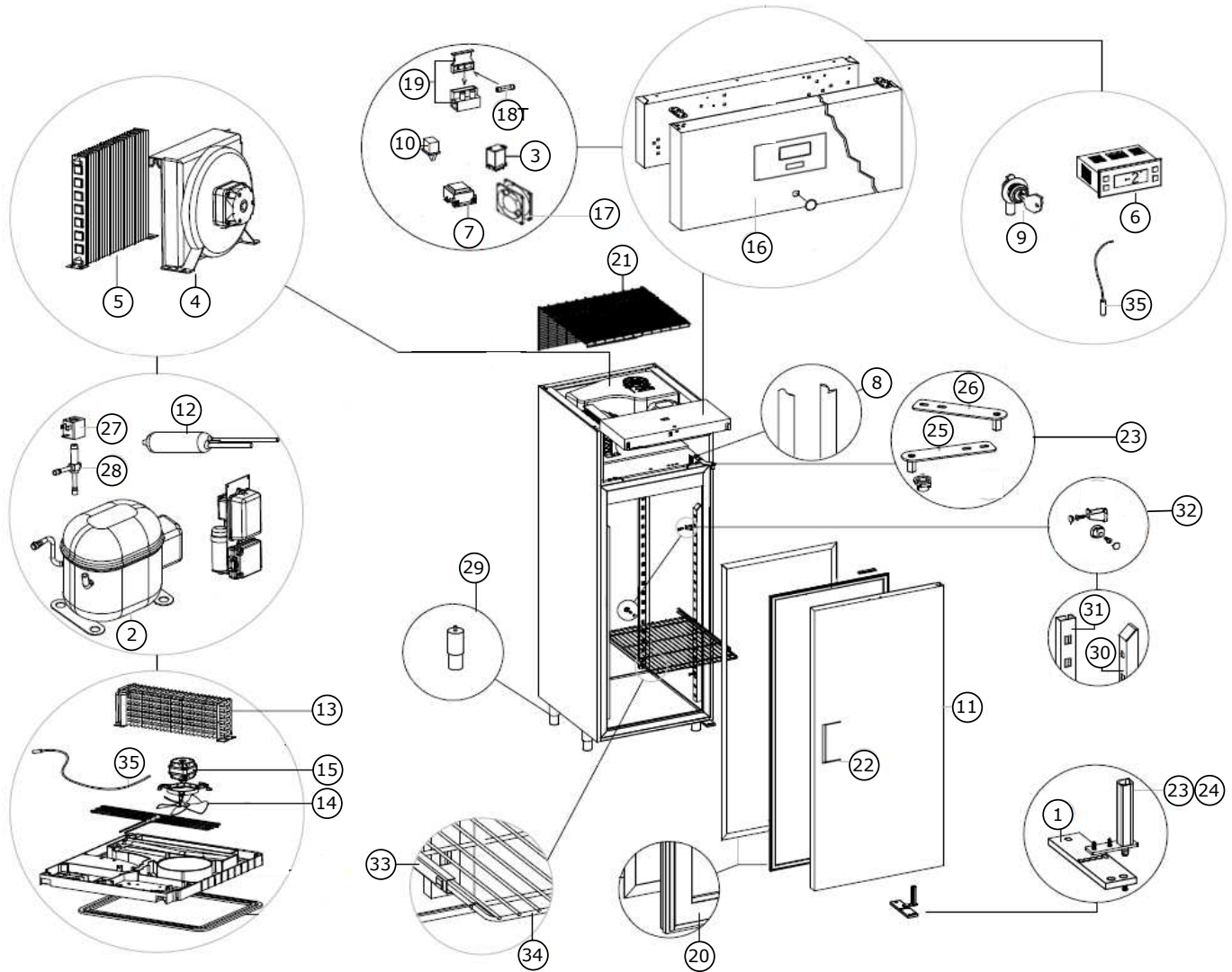


# UCFZ427-SS01A



1	ALUMINUM DOOR BOTTOM BRACKET	80-55657-34
2	COMPRESSOR	80-55622-10
3	COMPRESSOR POWER RELAY	80-55639-01
4	CONDENSER FAN ASSEMBLY	80-55657-35
5	CONDENSER MOD.	80-55657-36
6	CONTROLLER MOD.	80-55625-03
7	CONTROLLER POWER SUPPLY	80-55640-00
8	DOOR FRAME HEATER	80-55657-38
9	DOOR LOCK KIT MOD.	80-55626-00
10	DOOR SWITCH MOD.	80-55628-00
11	DOOR, FOAMED PANEL	80-55657-37
12	DOUBLE-WAY COPPER FILTER DRIER	80-55657-40
13	EVAPORATOR COIL	80-55657-41
14	FAN BLADE, EVAPORATOR	80-55657-42
15	FAN, EVAPORATOR 120V	80-55630-04
16	FRONT PANEL	80-55657-55
17	FRONT PANEL FAN	80-55657-55
18	FUSE (4)	80-55657-45

19	FUSE HOLDER MOD.	80-55657-03
20	GASKET, DOOR	80-55657-39
21	GRILLE, TOP	80-55657-56
22	HANDLE, DOOR	80-55657-50
23	HINGE KIT, DOOR	80-55627-01
24	HINGE KIT, DOOR SPRING	80-55627-00
25	HINGE, LEFT HAND UPPER	80-55657-47
26	HINGE, RIGHT HAND UPPER	80-55657-53
27	HOT GAS VALVE COIL 115V/ 60HZ	80-55646-01
28	HOT GAS VALVE MOD.	80-55657-46
29	LEG, ADJUSTABLE	80-55657-33
30	PILASTER GUIDE, FRONT	80-55657-43
31	PILASTER GUIDE, REAR	80-55657-51
32	PILASTER HOOKS W/CAPS (4)	80-55657-48
33	SHELF GUIDE L=630mm	80-55657-54
34	SHELF, PLASTIC COATED	80-55657-49
35	TEMPERATURE PROBE MOD.	80-55643-00