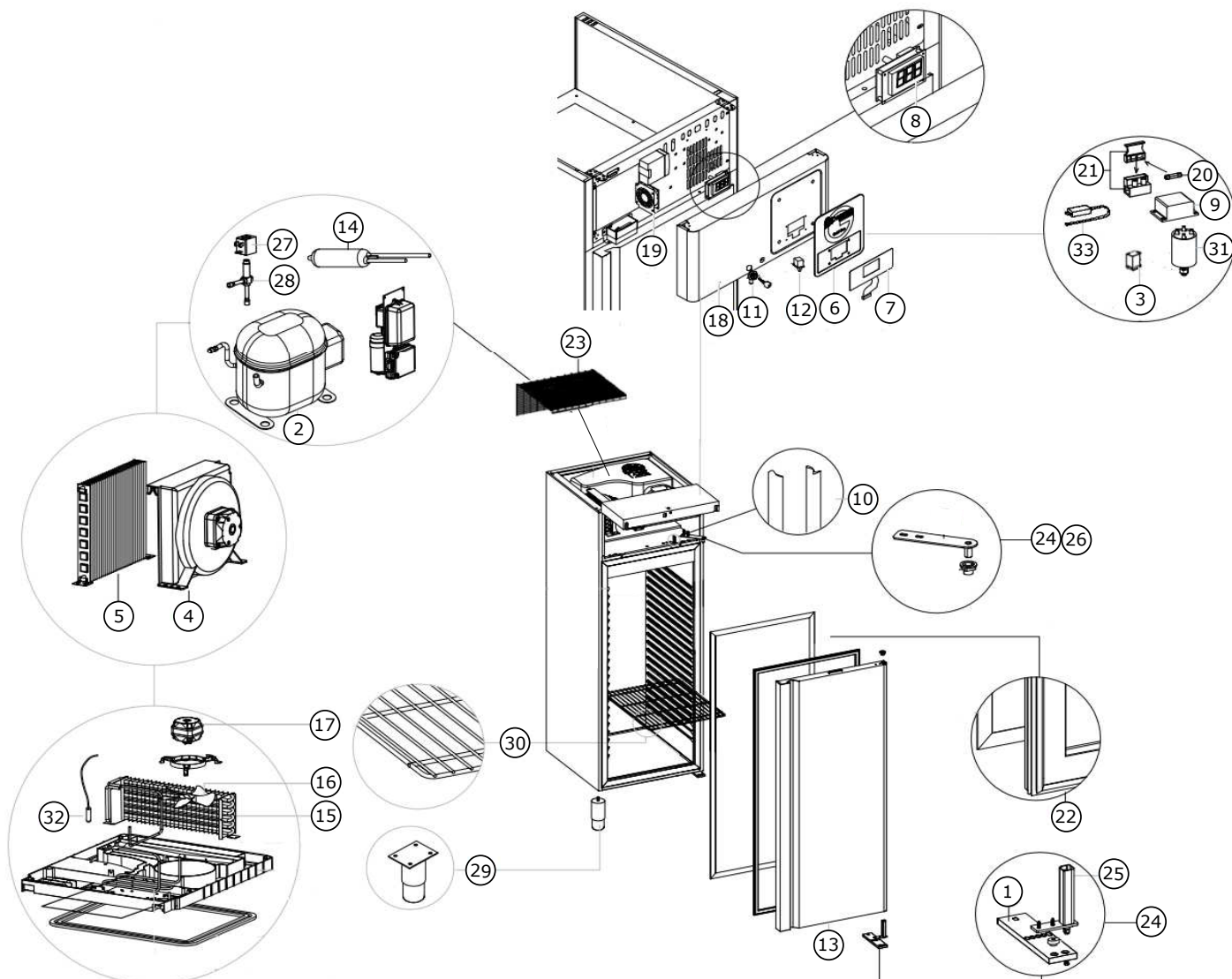


UCFZ527-SS31A



1	ALUMINUM DOOR BOTTOM BRACKET	80-55657-34
2	COMPRESSOR	80-55622-10
3	COMPRESSOR POWER RELAY	80-55639-01
4	CONDENSER FAN ASSEMBLY	80-55657-35
5	CONDENSER MOD.	80-55657-36
6	CONTROLLER COVER	80-55661-18
7	CONTROLLER KEYBOARD	80-55661-39
8	CONTROLLER MOD.	80-55625-03
9	CONTROLLER POWER SUPPLY	80-55640-00
10	DOOR FRAME HEATER	80-55657-38
11	DOOR LOCK KIT MOD.	80-55626-00
12	DOOR SWITCH MOD.	80-55628-00
13	DOOR ASSEMBLY, R/L	80-55661-19
14	DRIER	80-55657-40
15	EVAPORATOR COIL	80-55657-41
16	FAN BLADE, EVAPORATOR	80-55657-42
17	FAN, EVAPORATOR 120V	80-55630-04

18	FRONT PANEL	80-55657-55
19	FRONT PANEL FAN	80-55657-55
20	FUSE (4)	80-55657-45
21	FUSE HOLDER MOD.	80-55657-03
22	GASKET, DOOR	80-55657-39
23	GRILLE, TOP	80-55657-56
24	HINGE KIT, COMPLETE ASSEMBLY	80-55661-38
25	HINGE, DOOR SPRING	80-55627-00
26	HINGE, UPPER W/FLANGE	80-55661-17
27	HOT GAS VALVE COIL 115V/ 60HZ	80-55646-01
28	HOT GAS VALVE MOD.	80-55657-46
29	LEG, ADJUSTABLE	80-55657-33
30	SHELF, PLASTIC COATED	80-55657-49
31	NET FILTER	80-55637-00
32	TEMPERATURE PROBE MOD.	80-55643-00
33	WI-FI DONGLE MOD.	80-55661-22