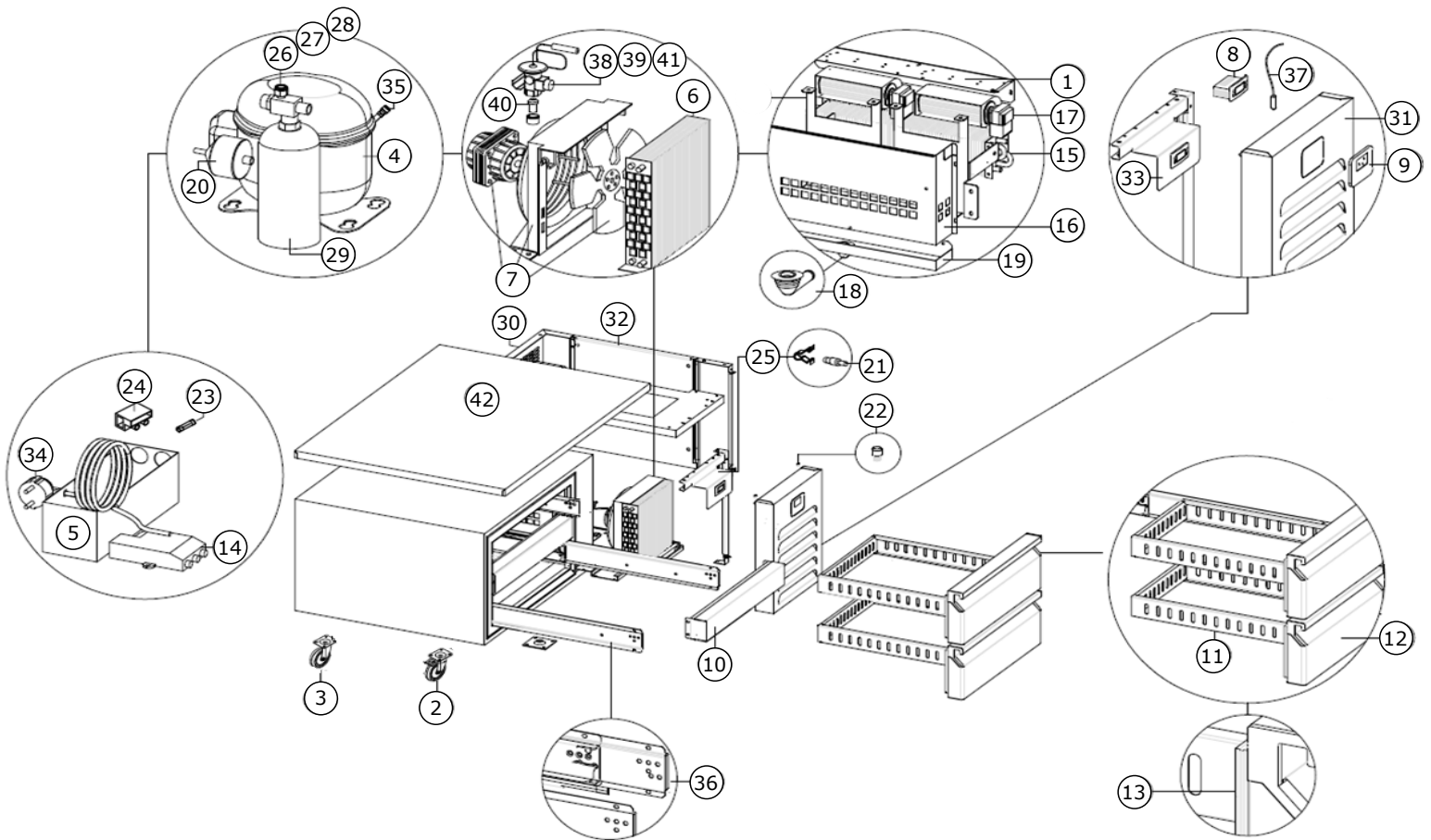


# UCRB548-SS61A



1	BRACKET HOLDING THE EVAP. FAN	80-55658-00
2	CASTOR, SWIVEL W/BRAKE	80-55649-00
3	CASTOR, SWIVEL W/OUT BRAKE	80-55657-13
4	COMPRESSOR, AE4425Z-AA1A 115V	80-55622-02
5	CONDENSATE PAN, SS WELDED	80-55658-14
6	CONDENSER COIL	80-55623-02
7	CONDENSER FAN ASSEMBLY	80-55624-01
8	CONTROLLER	80-55625-02
9	CONTROLLER, SEE THROUGH	80-55658-09
10	CROSSBEAM FOR DRAWERSET 26"	80-55658-01
11	DRAWER FRAME W/ROLLER	80-55658-17
12	DRAWER FRONT PANEL 26"CHEFBASE	80-55658-18
13	DRAWER GASKET MOD.26" CHEFBASE	80-55658-19
14	ELECTRICAL BOX MOD. PA104N-P-N	80-55657-17
15	EVAPORATOR COIL 550X105X90MM	80-55658-02
16	EVAPORATOR COVER, SS	80-55658-12
17	EVAPORATOR FAN 115V	80-55630-01
18	EVAPORATOR TRAY PLASTIC DRAIN	80-55657-26
19	EVAPORATOR TRAY, SS WELDED	80-55658-14
20	FILTER DRIER	80-55631-00
21	FRONT PANEL HOLDING PIN	80-55657-00

22	FRONT PANEL TOP PIN 7X17MM	80-55658-03
23	FUSE F5X20 1A 250V UL	80-55657-02
24	FUSE HOLDER MOD. 503SI	80-55657-03
25	HAIRPIN INSER MOD. MC90	80-55657-04
26	KING VALVE CONNECTOR 6MMFLARE	80-55657-06
27	KING VALVE ROTALOCK 1/4"FLARE	80-55657-05
28	KING VALVE SEAL, 3/4"	80-55623-11
29	LIQUID RECVR 0,53LT RT-306V-TR	80-55657-07
30	MOTOR COMP BACK PANEL	80-55657-08
31	MOTOR COMPARTMENT FRONT PANEL	80-55657-09
32	MOTOR COMPARTMENT SIDE PANEL	80-55657-10
33	PLATE CNTRL HOLDER MOD. CHEFBA	80-55658-04
34	POWER CORD	80-55657-11
35	PRESSURE VALVE	80-55641-03
36	ROLLER RUNNERS (PAIR)	80-55657-12
37	TEMPERATURE PROBE, NTC	80-55643-00
38	TX EXPANSION VALVE ASSEMBLY	80-55645-00
39	TX ORIFICE MOD. 2200/S 00	80-55658-16
40	TX VALVE INSULATION PRTCN	80-55657-15
41	TX VALVE WELDING CONNECTOR	80-55657-16
42	WORKTOP CHEFBASE 48" X 32.5"	80-55658-06