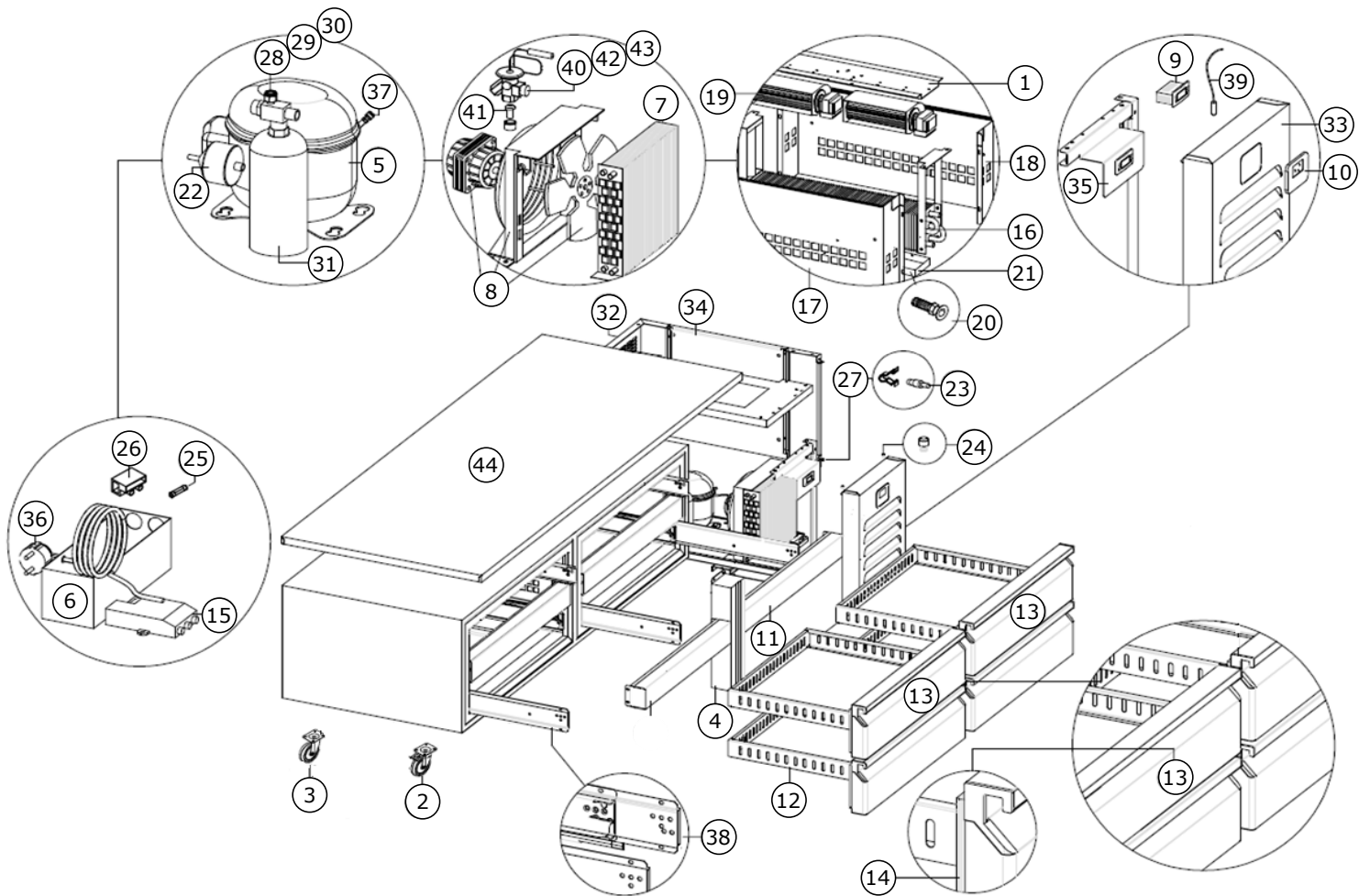


# UCRB572-SS61A



1	BRACKET HOLDING THE EVAP. FAN	80-55659-09
2	CASTOR, SWIVEL W/BRAKE	80-55649-00
3	CASTOR, SWIVEL W/OUT BRAKE	80-55657-13
4	CHAMBER DIVIDE, VERTICAL	80-55659-14
5	COMPRESSOR, AE4425Z-AA1A 115V	80-55622-01
6	CONDENSATE PAN, SS WELDED	80-55658-15
7	CONDENSER COIL	80-55623-02
8	CONDENSER FAN ASSEMBLY	80-55624-01
9	CONTROLLER	80-55625-00
10	CONTROLLER, SEE THROUGH	80-55658-09
11	CROSSBEAM FOR DRAWERSET 26"	80-55658-01
12	DRAWER FRAME W/ROLLER	80-55659-03
13	DRAWER FRONT PANEL 26" CHEFBASE	80-55658-18
14	DRAWER GASKET MOD.26" CHEFBASE	80-55658-19
15	ELECTRICAL BOX MOD. PA104N-P-N	80-55657-17
16	EVAPORATOR COIL 550X105X90MM	80-55658-02
17	EVAPORATOR COVER, LEFT SS	80-55659-13
18	EVAPORATOR COVER, RIGHT SS	80-55659-11
19	EVAPORATOR FAN 115V	80-55630-01
20	EVAPORATOR TRAY PLATIC DRAIN	80-55657-26
21	EVAPORATOR TRAY, SS WELDED	80-55659-12
22	FILTER DRIER	80-55631-00

23	FRONT PANEL HOLDING PIN	80-55657-00
24	FRONT PANEL TOP PIN 7X17MM	80-55657-01
25	FUSE F5X20 1A 250V UL	80-55657-02
26	FUSE HOLDER MOD. 503SI	80-55657-03
27	HAIRPIN INSER MOD. MC90	80-55657-04
28	KING VALVE CONNECTOR 6MMFLARE	80-55657-06
29	KING VALVE ROTALOCK 1/4"FLARE	80-55657-05
30	KING VALVE SEAL, 3/4"	80-55623-11
31	LIQUID RECVR 0,53LT RT-306V-TR	80-55657-07
32	MOTOR COMP BACK PANEL	80-55657-08
33	MOTOR COMPARTMENT FRONT PANEL	80-55657-09
34	MOTOR COMPARTMENT SIDE PANEL	80-55657-10
35	PLATE CNTRL HOLDER MOD. CHEFBA	80-55658-04
36	POWER CORD	80-55657-11
37	PRESSURE VALVE	80-55641-03
38	ROLLER RUNNERS (PAIR)	80-55657-12
39	TEMPERATURE PROBE, NTC	80-55643-00
40	TX EXPANSION VALVE ASSEMBLY	80-55645-00
41	TX ORIFICE MOD. 2200/S 00	80-55658-16
42	TX VALVE INSULATION PRCTCN	80-55657-15
43	TX VALVE WELDING CONNECTOR	80-55657-16
44	WORKTOP CHEFBASE 72" X 32.5"	80-55659-10