

### 49 cu ft Refrigerators, Reach-In

**CRE553-SS:** Solid Door Refrigerator, Reach-In

**CRE553-SG:** Glass Door Refrigerator, Reach-In



CRE553-SS



CRE553-SG

#### Features and Specifications

Volume of 49 cu ft comfortably fits 18" x 26" sheet pans

AISI 304 stainless steel interior and exterior with locks

Temperature range: 28°F to 46°F

Electronic digital temperature control with alarms

Autodefrost

High efficiency top-mounted compressor with 5.4 running amps

High efficiency evaporator coil & condenser

Epoxy coated, sealed evaporator eliminates potential corrosion

CFC-free high density polyurethane insulated cabinet

Factory pre-wired for dedicated outlet, 11 ft cord and plug included NEMA 5-15P

Environmentally friendly R290 refrigerant - 3.5 oz (0.100 kg)

2 sections, includes 6 epoxy coated wire shelves

Dimensions: 82 9/32" H x 52 9/16" W x 31 1/2" D

LED lighting

6 adjustable stainless steel legs

#### Model Details

Model	Description	Voltage/Hz	Shipping Weight
UCRE553-SS71A	49 cu ft Refrigerator, Reach-In, Solid Door	115v / 60hz	419 lb
UCRE553-SG71A	49 cu ft Refrigerator, Reach-In, Glass Door	115v / 60hz	518 lb

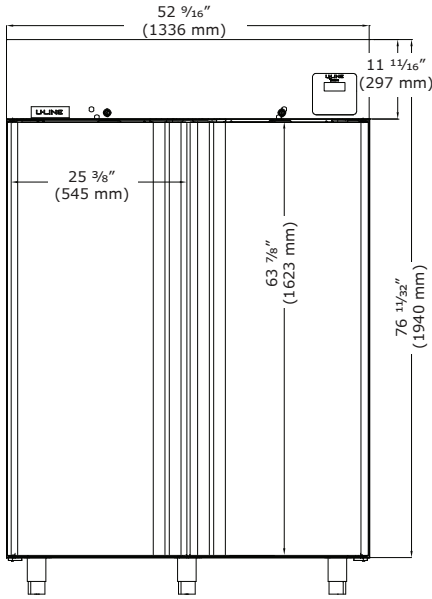
#### Accessories

Model	Description	Shipping Weight
ULA4080534	Shelf Guide	.88 lb
ULAQ32-0002	Epoxy Coated Wire Shelf (20.86" x 25.6")	2.2 lb
ULA81040300	Caster Kit	11.02 lb

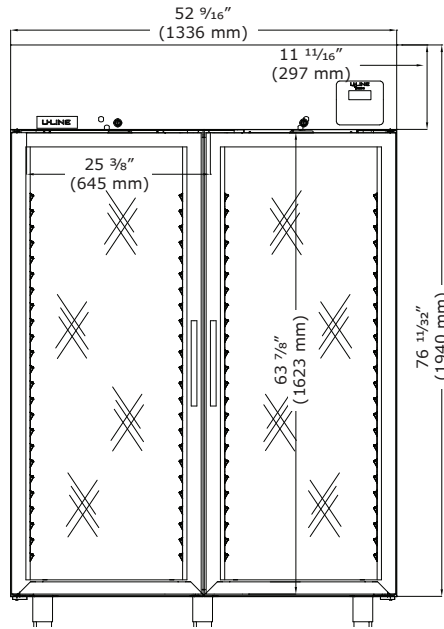


**Product Specifications • 49 cu ft Refrigerators, Reach-In**

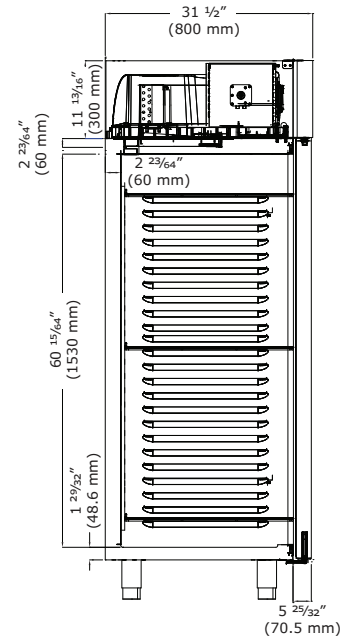
**Front  
(Closed - Solid Door)**



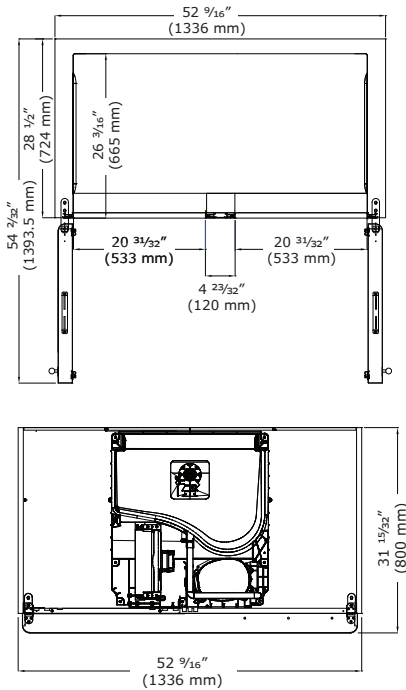
**Front  
(Closed - Glass Door)**



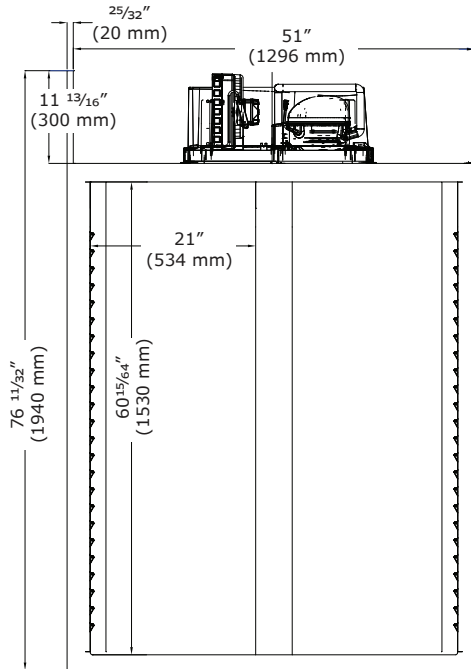
**Side**



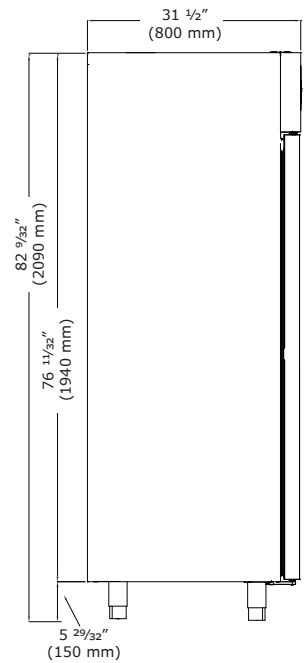
**Top**



**Back**



**Side**



**Commercial Warranty**

1 Year (parts & labor) / 5 year sealed system (parts)  
See complete warranty for details

