

UCW602TGM0

60 cm, WINE CELLAR, GRAN MAESTRO, W Model

BUILT-IN

UNDERCOUNTER® SERIE

Fhiaba



FEATURES

- Made in Italy
- Aisi 304 stainless steel body
- Stainless steel interior finish
- Aisi 304 stainless steel anti-bacteria interior
- Optiview: multi - LED light array (top interior) provides excellent illumination to the entire interior
- Soft close door
- Display smart TFT a colori
- Acoustic and visual signals
- Total no frost 100% automatic system
- Insulated variable speed compressor maintains temperature with low vibration
- Sabbath mode
- Front and rear adjustable feet up to 25 mm
- Two independent climatic zones
- Wood sliding shelves with soft closing runners

GENERAL PROPERTIES

Reversible door	YES
Equilance Hinge	NO
Soft-Closing Glides	YES
Low Vibration	YES
OptiView (Led Light Spots)	YES
Shelves	5
Type Of Shelves	WOOD
Fridge Interior Drawers	
Freezer Drawers	
Full Extension Shelves 90° Door Opening	YES
Full Extension Drawers 90° Door Opening	NO
Defrost Process	AUTOMATIC
Ice Maker With Water Filter	NO
Door Open Alarms	YES
Shopping Fridge	NO
Shopping Freezer	NO
Power Failure Alert	YES
Humidity control	YES
Active carbon filter	YES
Air filter control	YES

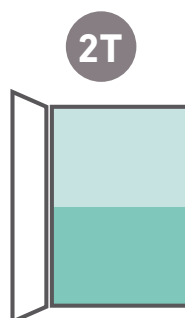
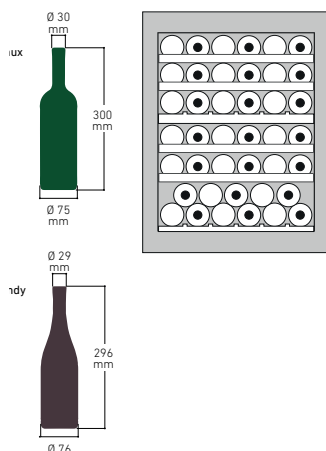
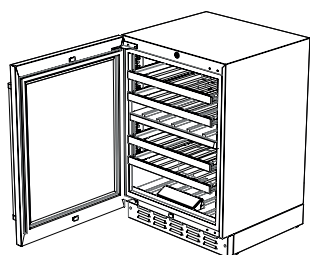
UCW602TGMO

60 cm, WINE CELLAR, GRAN MAESTRO, W Model

BUILT-IN

UNDERCOUNTER® SERIE

PRODUCT DETAIL



Fhiaba

1D | 2M

D = door

M = separate microclimates

CAPACITY

Volume Compartment 1 (L)	143
Volume Compartment 2 (L)	N/A
Volume Compartment 3 (L)	N/A
Total Net Volume (L)	143
Total Gross Volume (L)	145
Compartment 1 / Upper wine cellar capacity (bottles)	41
Compartment 2 / Lower wine cellar capacity (bottles)	N/A
Undercounter glass shelf capacity (cans)	N/A
Undercounter drawer capacity (cans)	N/A
Undercounter bottom wooden bottle holder (bottles)	11

TECHNICAL DETAILS

Total absorbed current (A)	1.5
Voltage (V)	220-240V
Frequency (Hz)	50/60 Hz
Power Cord Length (mm)	2
Plug Type	Tipo F (Schuko) 16A IEC13
Climatic class	SN/T
Noise level (dB)	41
Refrigerant (gas)	R600a
Water connection / female attachment	N/A

EFFICIENCY

New Energy Label class	G
Energy consumption (kWh/year)	118

DIMENSIONS & WEIGHT

Height of the product (closed weels) (mm)	865
Adjustable feet height (mm)	25
Width of the product (mm)	598
Depth of Product without handle (mm)	576
Wall cavity height (mm)	870
Wall cavity width (mm)	600
Wall cavity depth (mm)	600
Net Weight (kg)	63
Gross Weight (kg)	78

TEMPERATURE RANGES

Climatic compartments	2
Compartment 1 / Upper temperature (°C)	from 4 to 18
Compartment 2 / Middle temperature (°C)	from 4 to 18
Low temp zone	NO
Compartment 3 / Low temperature (°C)	from N/A to N/A
Dual zone	NO

ACCESSORIES

- Glass door
- Cleaning kit
- Active carbon filter
- Painting
- 90° Door stop
- Cheese drawer
- Set of knives
- Prosciutteria kit
- Bottle trap
- Sigar drawer
- Beverage drawer
- Beverage shelf
- Beverage removable shelf

UCW602TGMO

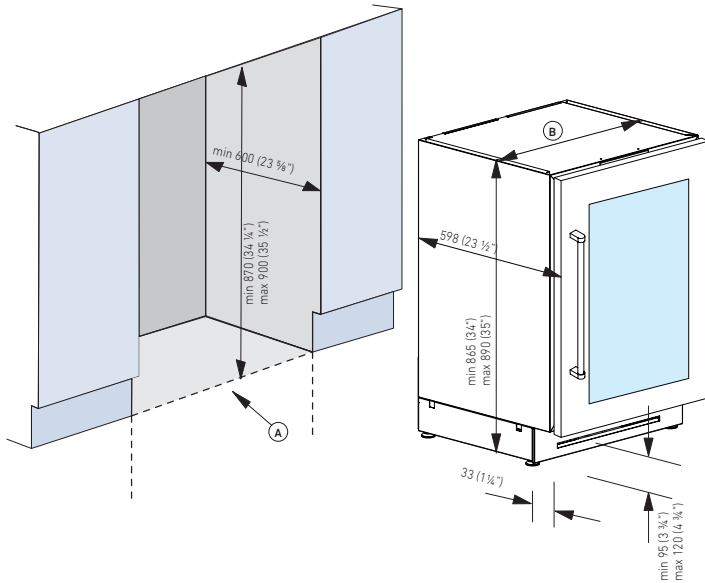
60 cm, WINE CELLAR, GRAN MAESTRO, W Model

BUILT-IN

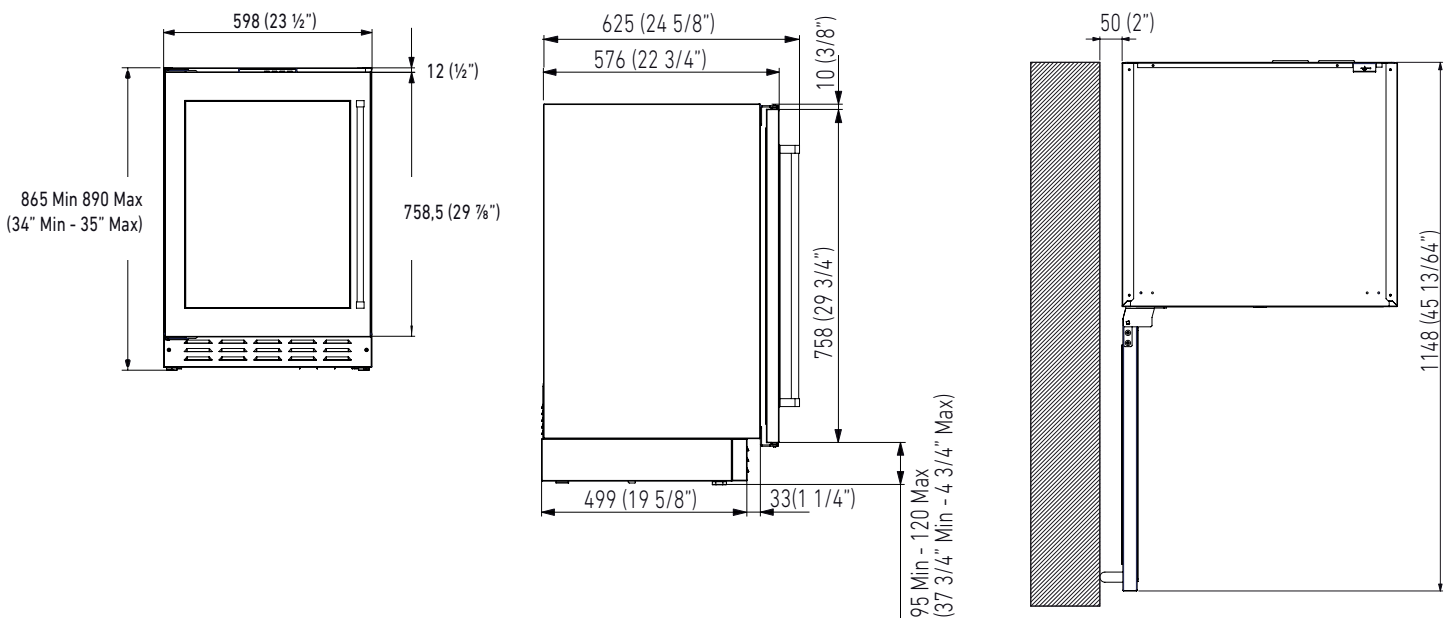
UNDERCOUNTER® SERIE

PRODUCT SPECIFICATIONS AND DIMENSIONS

Fhiaba



TECHNICAL DATA	
Niche Width A (mm)	600
Unit Width B (mm)	598
Unit Width with lateral frames C (mm)	598



i For installation specifications, please consult with Fhiaba. For optimum installation, we recommend using the actual product as the best guide.

i Based on the adjustment of the feet and the height of the panel from the floor, the customer defines the perforated plinth to be installed on the equipment.

UCW602TGM0

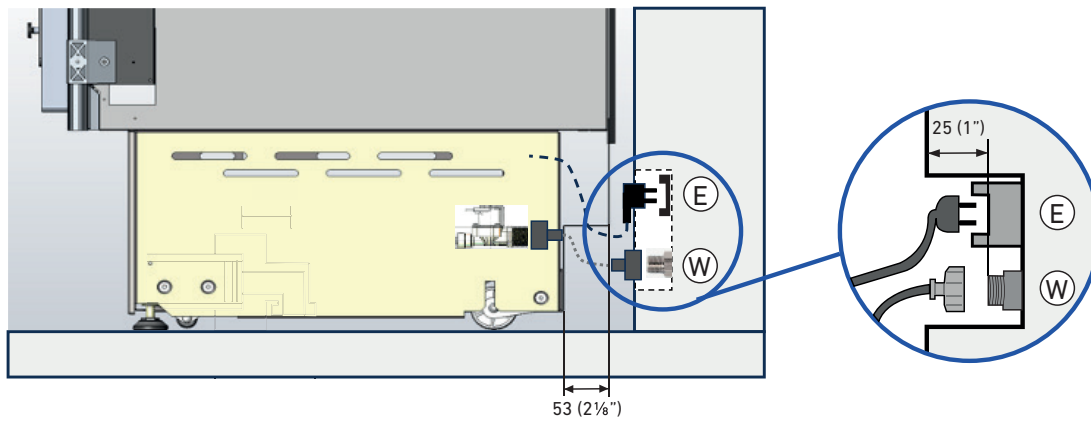
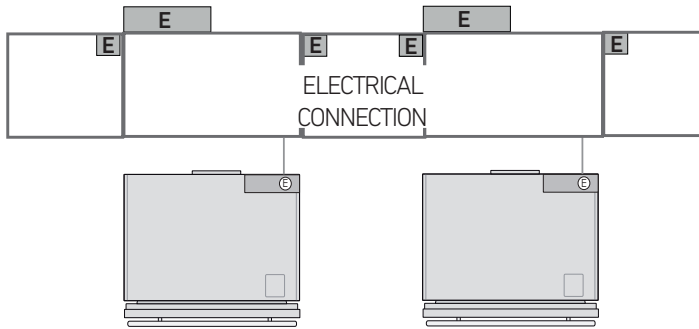
60 cm, WINE CELLAR, GRAN MAESTRO, W Model

BUILT-IN

UNDERCOUNTER® SERIE


Fhiaba

Electrical Connection



Electrical and water connections (if applicable) should be reachable without having to uninstall the appliance. If the connections must be made directly behind the appliance then it is recommended to recess those connections.

IMPORTANT: do not put the water shut-off valve behind the appliance where it will be inaccessible.

 For installation specifications, please consult with Fhiaba. For optimum installation, we recommend using the actual product as the best guide.

   
www.fhiaba.com