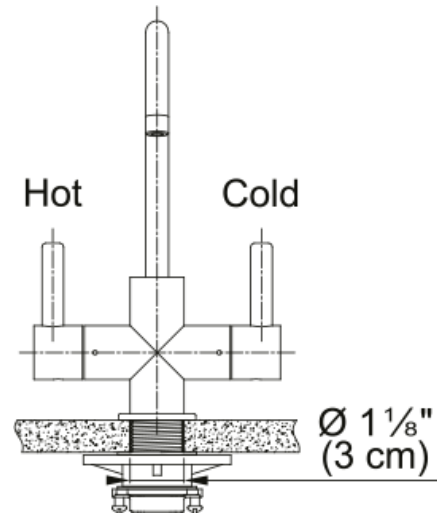


Universal Hot/Cold Filtered - UNJ-HC-GLD | 120.0704.772



8.75-in Double Handle Hot and Cold Water Filtration Faucet in Gold. Constructed with 100% lead-free 304 stainless steel, a naturally hygienic surface that is corrosion and tarnish-resistant, resulting in a high-performance and low-maintenance faucet. Proportionately sized and available in a variety of finishes to complement any products in the Franke faucet portfolio. Bring wellness home by pairing the UNJ-HC-GLD with our HT-400 heating tank and Franke Filtration system (sold separately) and provide your family with an on-demand flow of clean, safe, instant hot and cool filtered water directly from your kitchen filtration faucet.

Aspect

Spout type	J - spout
Color	Gold
Type of material	Stainless steel 304

Product Dimensions

Faucet hole diameter	31,75 mm
Cartridge dimension	12,70 mm

Installation

Mounting type	Shank
Water supply hose connection	3/8"
Water supply hose length	1524 mm

Product specifications

Pressure	High pressure
Faucet type	Swivel spout
Faucet operation	Side lever
Faucet rotation	360°

Product identification

Product brand	FRANKE
Product family	None
Collection	Universal

Features

Water saving feature	No
Type of aerator	Laminar
Little butler type	Chilling tank
Little butler type	Heating tank
Little butler type	Water filtration