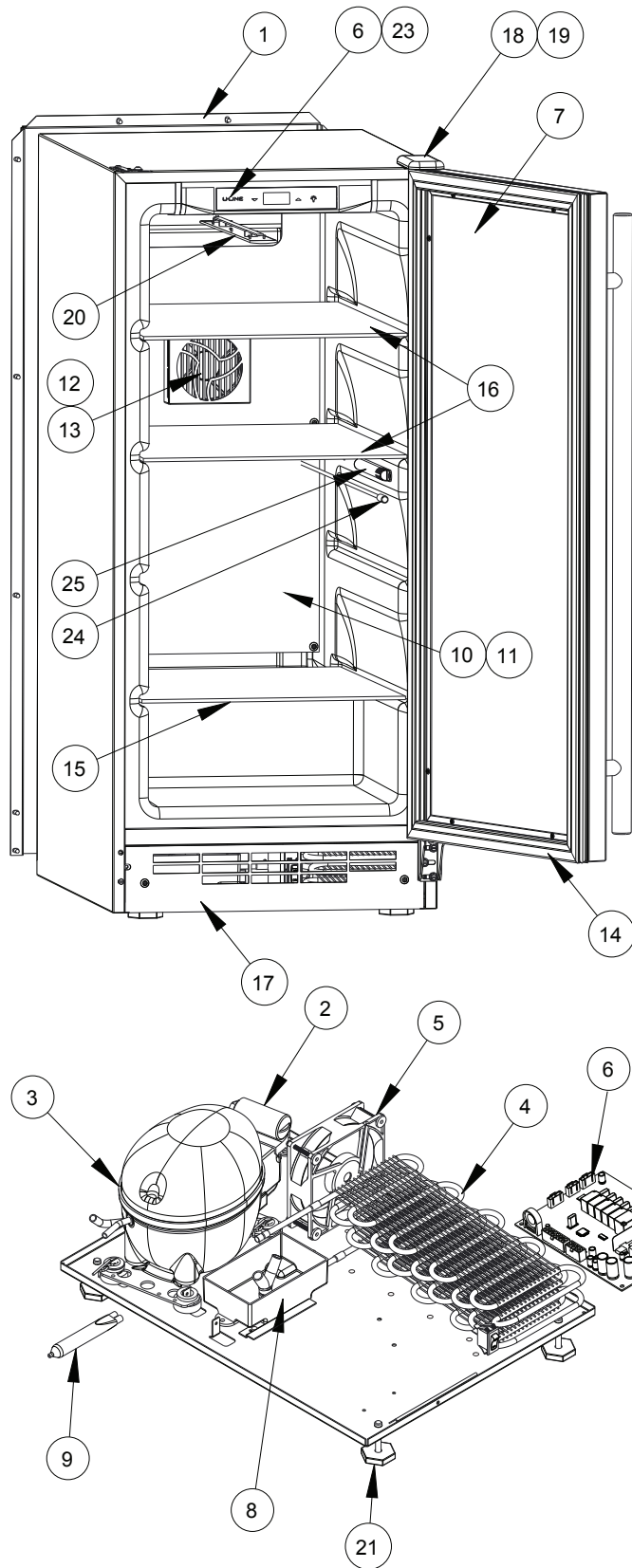


USER GUIDE

Parts



UORE115-SS01A

1	BACK PANEL	80-55392-00
2	COMPRESSOR ELECTRICALS ONLY	80-54149-00
3	COMPRESSOR W/ELECTRICALS	80-54150-00
4	CONDENSER ASSEMBLY	80-54231-00
5	CONDENSER FAN W/SCREWS	80-54014-00
6	DISPLAY/MAIN BOARD ASSEMBLY	80-55533-00
7	DOOR ASSEMBLY	80-55403-00
8	DRAIN PAN	80-54217-00
9	DRIER	80-54055-00
10	EVAPORATOR ASSEMBLY	80-55405-00
11	EVAPORATOR COVER	80-55512-00
12	EVAPORATOR FAN	80-54321-00
13	EVAPORATOR FAN COVER	80-54320-00
14	GASKET, DOOR	80-55264-00
15	GLASS SHELF - BOTTOM	80-54241-00
16	GLASS SHELF - TOP	80-54240-01
17	GRILLE	80-55406-00
18	HINGE ASSEMBLY	80-55418-00
19	HINGE COVER	80-55499-00
20	LED LIGHT STRIP AND COVER	80-54000-00
21	LEG LEVELERS (4)	80-54019-00
22	POWER CORD*	80-55401-00
23	REED SWITCH ASSEMBLY**	80-54284-00
24	THERMISTOR	80-54006-00
25	THERMISTOR COVER	80-54237-00
26	WIRE HARNESS*	80-55402-00

*Not Shown

**Located behind display