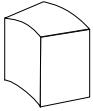




Integrated Solid



Nugget Cube:



Additional Options

- Stainless steel panel accessory



Key Features

- **No water filtration required**
- **Produces up to 65 lb of ice per day**
- Bright white LED lighting
- Built-in or freestanding
- Concealed soft close articulating hinge
- Digital touch pad control
- Easy 20 minute clean cycle
- Factory installed drain pump
- Field reversible door is shipped right-hand hinged
- Four adjustable leveling legs
- Indicator alert notifies user if water issues are detected
- Makes compressed ice bits approx. 1/2"L x 3/8"H x 5/8"W
- Requires 3/4" custom door panel and handle (not supplied by U-Line) or stainless panel accessory
- Stores 27 lb of ice
- UV light activated when door is closed
- White interior

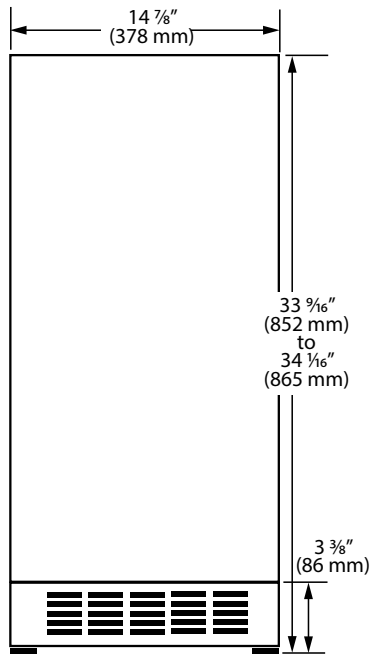
Model Details

| Model | Voltage/Hz | Door Swing | Pump | Finish | Shipping Weight |
|---------------|------------|------------------|---------------|------------------|-----------------|
| URNP115-IS01A | 115 / 60 | Field Reversible | Pump Included | Integrated Solid | 104 lb |

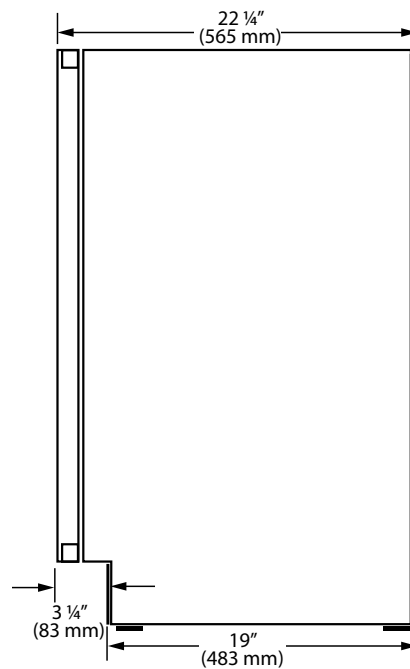
Accessories

| Model | Description | Finish | Shipping Weight |
|--------------------|---|-----------|-----------------|
| ULA15SPNUGGETSOLID | Stainless Steel Door Panel with Tube Style Handle | Stainless | 10 lb |
| 80-55667-00 | Ice Machine Cleaner (Single 4 oz. bottle) | N/A | 1 lb |
| ULAWATERHOOKUP | Braided Water Supply Line Kit | N/A | 2 lb |

Front

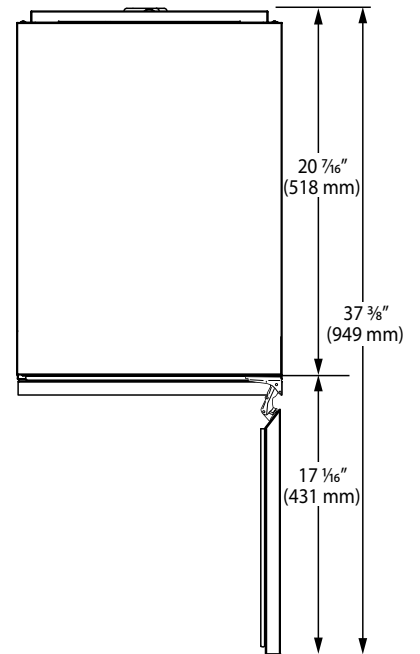


Side



*Add 1/2" for Integrated models with 3/4" integrated panel installed.

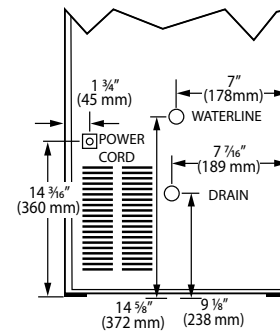
Top



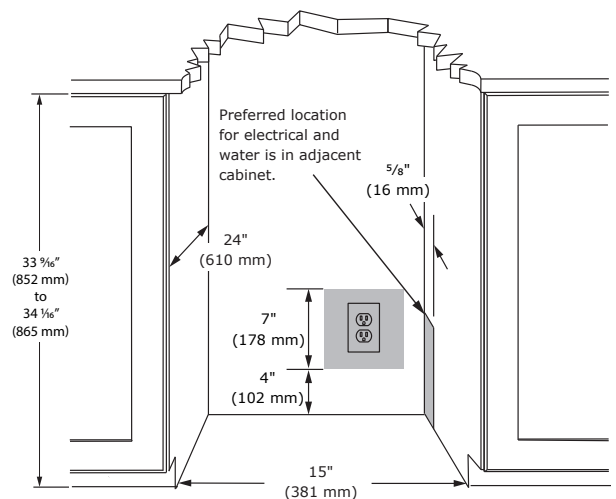
Specifications

| | |
|----------------------------|--------------------|
| Model | URNP115-IS01A |
| Amps: Running | 3 |
| Dimensions: Product Depth | 22 1/4" / 565 mm |
| Dimensions: Product Height | 33 9/16" / 852 mm |
| Dimensions: Product Width | 14 7/8" / 378 mm |
| ENERGY STAR | Yes |
| Ice Production Per Day | 65 lb |
| Ice Storage | 27 lb |
| Panel Height | 30" / 762mm |
| Panel Thickness | 3/4" 20mm |
| Panel Type | Solid Panel |
| Panel Width | 14 15/16" / 379 mm |
| Product Weight: Max | 101 lb |
| Refrigerant Type: | R600a |

Back



Cabinet Cut-Out



Installation Notes

- No additional clearance is needed for ventilation
- Do not obstruct front grille air flow

Warranty

- **2024 Nugget Ice Bonus Warranty – 2 years (parts and labor) / 5 years (sealed system)**
- See complete warranty for details



Please visit u-line.com to view this model's User Guide & Service Manual. All Specifications are subject to change without notice.

8900 North 55th Street • Milwaukee, Wisconsin 53223 USA • +1.414.354.0300 • sales@u-line.com • u-line.com