

UVI1036SRSS

36" Designer Island Range Hood with Clean Air Sensing

Dimensions and Installation Information (in Inches)

Installation Information: Before installing, consult Use & Care/installation instructions packed with product for current dimensional data.

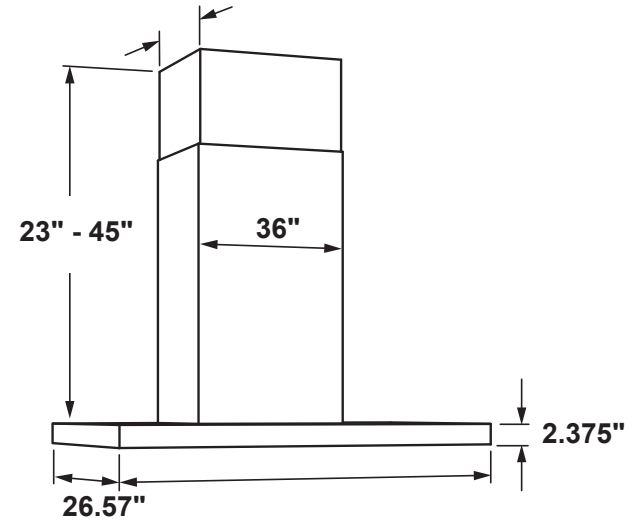
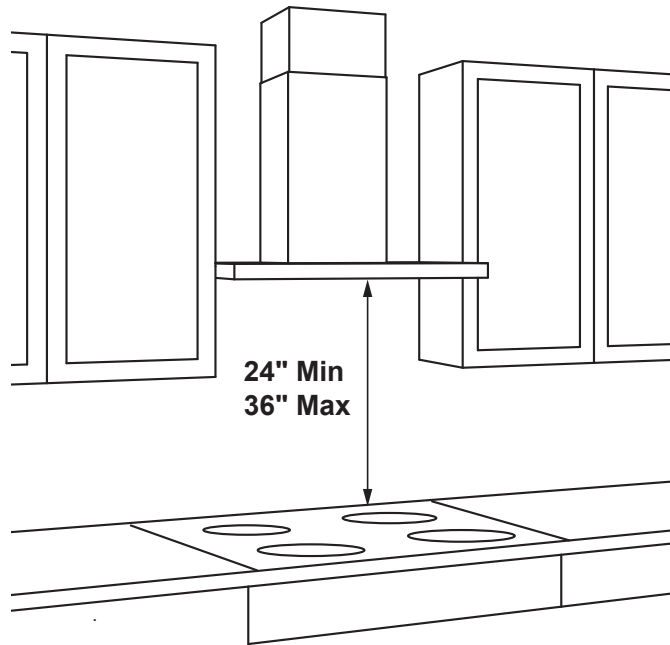
Included Accessories

Non-return Damper (8" round)
Grease Filters - 3 X Baffle

Optional Accessories

UX12IC1SRSS - 12(ft.) High Ceiling Duct Cover Kit
UX14IC1SRSS - 14(ft.) High Ceiling Duct Cover Kit
UXIN36W - Recirculation Kit (Includes Charcoal Filter)
UXCF91 - Charcoal Filter (needed if used in recirculation mode)

Amp Rating	
120V	2.8



The vent hood must be installed 24" min. above the cooking surface. For optimal performance, installing the hood more than 38" above the cooking surface is not recommended. The hood installation height above the cooking surface depends upon the ceiling height. The telescopic duct cover conceals the ductwork running from the top of the hood to the ceiling.

NOTE: Installation height should be measured from the cooking surface to the lowest part of the hood. This hood may be installed onto a wall and vented to the outdoors, or it can be installed for recirculating operation. Recirculating parts are supplied separately as optional accessories.



GE APPLIANCES

For answers to your Monogram, Café™, GE Profile™ or GE Appliances product questions, visit our website at geappliances.com or call GE Answer Center® Service, 800.626.2000.



Listed by
Underwriters
Laboratories

Specification Revised 7/24

UVI1036SRSS

36" Designer Island Range Hood with Clean Air Sensing

Features and Benefits

Built-in Air Quality Sensors – Detects PM 1, 2.5, 4 & 10, volatile organic compounds (VOCs), humidity, and temperature

Adjustable 610 CFM Range Hood Blower – Effectively removes smoke, cooking fumes, and odors from the air, keeping your kitchen fresh and clean

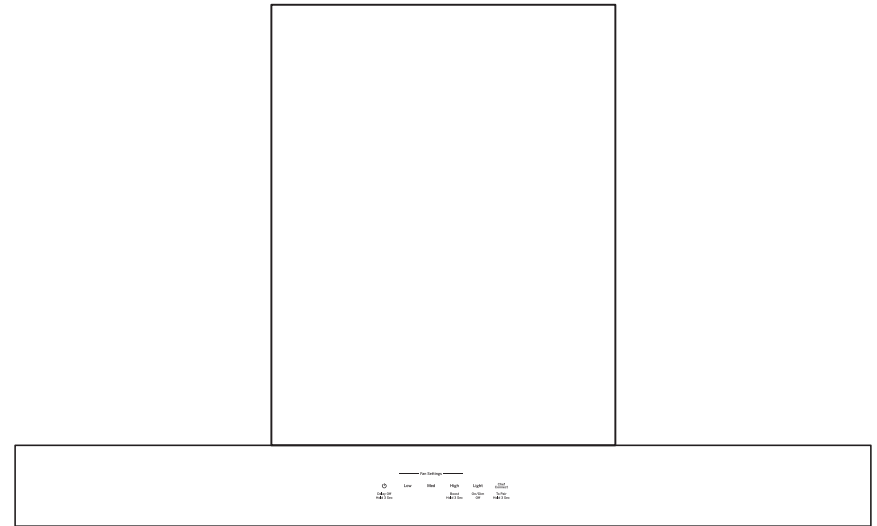
Built-in WiFi – Operate your smart range hood from your phone, for the ultimate in-kitchen convenience

Chef Connect – Synchronize your oven and kitchen hood so that it turns on whenever the cooktop is activated, and the lights illuminate when any burner is in use

Backlit Push Button Controls – Easily operate your range hood with push buttons that are illuminated from behind, making them easy to locate and use, even in low-light

4-Speed Fan – Customize to suit your cooking techniques. Whether simmering or searing, your cooking environment stays comfortable

LED Hood Light – Provides a clear view of your cooktop while cooking



For answers to your Monogram, Café™, GE Profile™ or GE Appliances product questions, visit our website at geappliances.com or call GE Answer Center® Service, 800.626.2000.



Specification Revised 7/24