

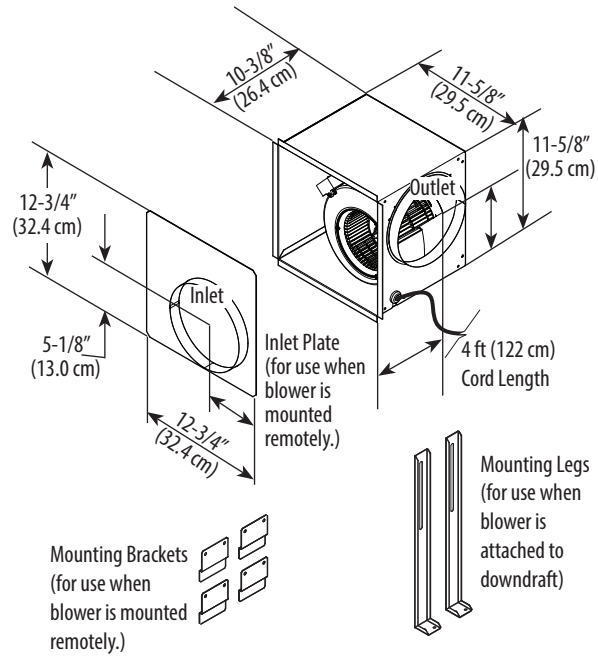


FLEX BLOWER SPECIFICATION SHEET

FEATURES

VDVI600

- 120 VAC, 60 Hz, 3.0A
- Galvanized steel construction
- Includes 8" round inlet adapter plate for remote, in-line operation
- Built-in 8" round outlet duct connection
- Thermally-protected motor with ball bearing shaft for long life and quiet operation.
- Includes mounting legs for attaching to downdraft and brackets when mounted remotely



HVI-2100 CERTIFIED RATINGS comply with new testing technologies and procedures prescribed by the Home Ventilating Institute, for off-the-shelf products, as they are available to consumers. Product performance is rated at 0.1 and 0.25 in. static pressure at high speed based on tests conducted in HVI-approved state-of-the-art test laboratory. Sones are a measure of humanly-perceived loudness, based on laboratory measurements.



HVI PERFORMANCE

| DUCT ORIENTATION | SIZE | SONES | | CFM | | |
|--------------------|------|--------|------|--------|--------------------|-------------------|
| | | NORMAL | HIGH | NORMAL | HIGH 0.25 in. w.g. | HIGH 0.1 in. w.g. |
| Front - Round | 8" | 0.9 | 0.9 | 190 | 480 | 500 |
| Left Side - Round | 8" | 0.9 | 0.9 | 180 | 440 | 460 |
| Right Side - Round | 8" | 0.9 | 11.0 | 160 | 415 | 440 |
| Rear - Round | 8" | 1.2 | 8.0 | 170 | 410 | 430 |
| Below - Round | 8" | 0.9 | 0.9 | 170 | 430 | 450 |

Viking Range, LLC
 111 Front Street
 Greenwood, Mississippi 38930
 (662) 455-1200