



VG295250CA

1 x WOK attachment ring

WP400001:

Wok pan

Gas cooktop 200 series

36", Natural gas 15 mbar

VG295250CA

- Mechanical power level regulation for 9 power levels, with exact setting and reproduction of flame size
- Control panel for comfortable and secure operation
- Control panel for comfortable and secure operation

Mechanical power level regulation for 9 power levels, with exact setting and reproduction of flame size

Multi-ring burner of solid, heat-resistant brass as used in professional kitchen

Solid smooth-surface cast-iron pan support
Up to 59700 BTU (17.5 kW) on 5 burners

Cooking zones

1 multi-ring wok burner 1,000 - 18,800 BTU (300 W - 5500 W), suitable for pots up to max. \varnothing 12 5/8".

2 two-ring high output burners 600 - 13,600 BTU (170 W - 4000 W), suitable for pots up to max. \varnothing 11".

2 two-ring standard burners 600 - 6,800 BTU (170 W - 2000 W), suitable for pots up to max. \varnothing 9 1/2".

Operation

Control knobs with illuminated ring.

Integrated control panel.

One-handed operation.

Electric ignition.

Features

Three-part cast iron pan support with flat, continuous pot surface.

Brass burner rings.

Safety

Thermoelectric safety pilot.

Residual heat indicator.

Operation indicator.

Planning notes

No intermediate shelf required.

Appliance can be snapped into the countertop from above.

The rear panel must consist of a non-flammable material. Wall trims must be resistant to heat.

Installation in a 36" (90 cm) wide base cabinet is required.

Above countertop minimum clearance of at least 11 13/16" from adjacent heat-sensitive furniture or contact surfaces must be observed or thermal insulation must be installed.

Minimum distance between gas cooktop(s) with more than 37,533 BTU (11kW) and ventilation hood must be 30" (76cm).

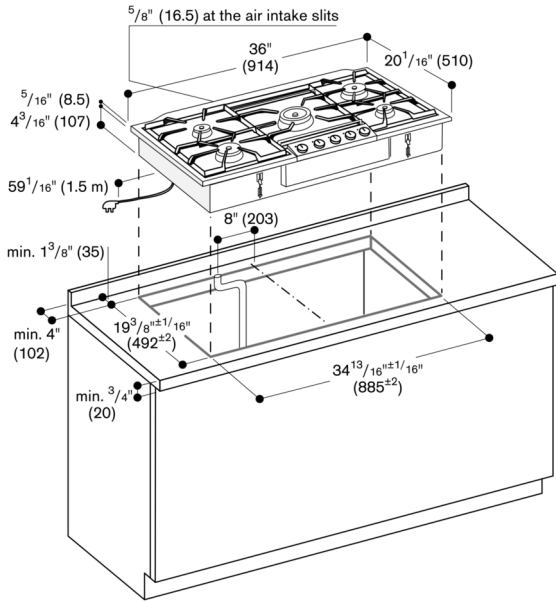
Appliance weight: approx. 29 kg.

Rating

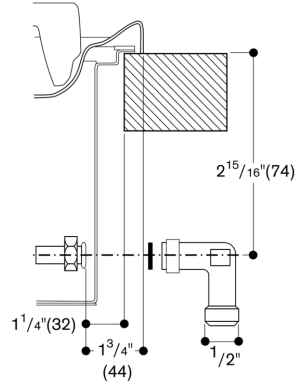
Total rating: 59700 BTU (17.5 kW).

Total Amps: 1 A. 120 V / 60 Hz

Connecting cable 59 1/16" (1.5 m) with plug.



Gas connection



Minimum distance from the appliance cut-out to the side wall 11 1/8" (300 mm).