

**Blower
VTN1DZ**



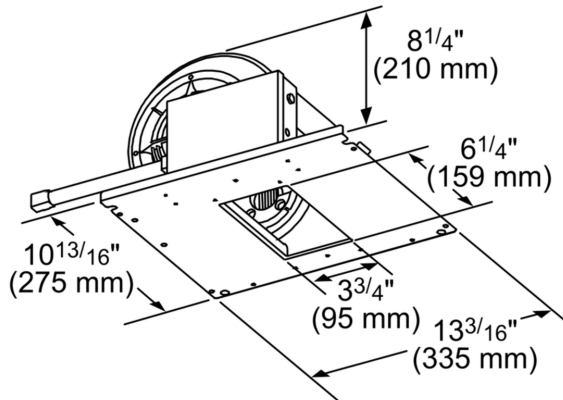
400 CFM integral blower is integrated into ventilation hoods at the time of installation, sold separately.

- Integrated into ventilation hoods at the time of installation
- Internal blower mounted within hood

Product group:Accessory
Brand:Thermador
Product name / series name:
SKU:VTN1DZ
Internal article number:VTN1DZ
EAN code:825225964896
Product Packaging Dimensions (HxWxD):11.6" x 20.0" x 13.2"
Net Weight:10.000 lbs
Gross Weight:13.000 lbs
Quantity per packing unit:
Standard number of units per pallet:
UPC code:825225964896



**Blower
VTN1DZ**



measurements in inches (mm)