

# Washer

# User manual

---

WA40A3\*\*\*A\* / WA41A3\*\*\*A\*

---

**SAMSUNG**

# Contents

---

<b>Safety information</b>	<b>4</b>
What you need to know about the safety instructions	4
Important safety symbols	4
CALIFORNIA PROPOSITION 65 WARNING	5
IMPORTANT SAFETY INSTRUCTION	5
<b>Installation</b>	<b>13</b>
Unpacking your washer	13
Overview of your washer	14
Basic location requirements	16
Important note to installer	20
Step-by-step installation	21
<b>Operating instructions</b>	<b>28</b>
Loading your washer	28
Getting started	30
<b>Washing a load of laundry</b>	<b>31</b>
Control panel	31
Cycle overview	32
Options	33
Washing clothes using the cycle selector	35
ATC (Auto Temperature Control)	36
Detergent use	36
Features	37

---

<b>Maintaining your washer</b>	<b>40</b>
Cleaning the exterior	40
Cleaning the interior	40
Storing your washer	40
Preserving the top cover and the front frame	41
Cleaning the softener compartment	41
Cleaning mesh filter	42
Self Clean	43
<b>Troubleshooting</b>	<b>44</b>
Checkpoints	44
Information codes	49
<b>Specifications</b>	<b>52</b>
Fabric care chart	52
Helping the environment	54
Declaration of conformity	54
Specification sheet	55
Cycle chart	56

# Safety information

---

Congratulations on your new Samsung washer. This manual contains important information on the installation, use and care of your appliance. Please take some time to read this manual to take full advantage of your washer's many benefits and features.

## What you need to know about the safety instructions

---

Please read this manual thoroughly to ensure that you know how to safely and efficiently operate the extensive features and functions of your new appliance. Please store the manual in a safe location close to the appliance for future reference. Use this appliance only for its intended purpose as described in this instruction manual.

Warnings and Important Safety Instructions in this manual do not cover all possible conditions and situations that may occur. It is your responsibility to use common sense, caution and care when installing, maintaining and operating your washer. Because the following operating instructions cover various models, the characteristics of your washer may differ slightly from those described in this manual and not all warning signs may be applicable. If you have any questions or concerns, contact your nearest service center or find help and information online at [www.samsung.com](http://www.samsung.com).

## Important safety symbols

---

What the icons and signs in this user manual mean:

### **WARNING**

Hazards or unsafe practices that may result in **severe personal injury, death and/or property damage**.

### **CAUTION**

Hazards or unsafe practices that may result in **personal injury and/or property damage**.

### **NOTE**

Indicates that a risk of personal injury or material damage exists.

# SAVE THESE INSTRUCTIONS

---

These warning signs are here to prevent injury to yourself and others.  
Please follow them explicitly.  
After reading this manual, store it in a safe place for future reference.

Read all instructions before using the appliance.

As with any equipment that uses electricity and moving parts, potential hazards exist. To safely operate this appliance, familiarize yourself with its operation and exercise care when using it.

## CALIFORNIA PROPOSITION 65 WARNING

---

### **WARNING**

Cancer and Reproductive Harm - [www.P65Warnings.ca.gov](http://www.P65Warnings.ca.gov).

## IMPORTANT SAFETY INSTRUCTION

---

### **WARNING**

To reduce the risk of fire, electric shock, or injury to persons when using your appliance, follow basic precautions, including the following:

1. Read all instructions before using this appliance.
2. Do not wash or dry articles that have been previously cleaned in, washed in, soaked in, or spotted with gasoline, dry-cleaning solvents, other flammable or explosive substances as they give off vapors that could ignite or explode.
3. Do not allow children to play on or in the appliance. Close supervision of children is necessary when the appliance is used near children.
4. Before the appliance is removed from service or discarded, remove the lid of the washing or drying compartment.
5. Do not reach into the appliance if the drum is moving.
6. Do not install or store this appliance where it will be exposed to the weather.
7. Do not tamper with the controls.

## SAVE THESE INSTRUCTIONS

# Safety information

---

8. Do not repair or replace any part of the appliance or attempt any servicing unless it is specifically recommended in the user-maintenance instructions or in published user-repair instructions that you understand and have the skills to carry out.
9. Do not add gasoline, dry-cleaning solvents, or other flammable or explosive substances to the wash water. These substances give off vapors that could ignite or explode.
10. Under certain conditions, hydrogen gas may be produced in a hot water system that has not been used for 2 weeks or more. **HYDROGEN GAS IS EXPLOSIVE.** If the hot water system has not been used for 2 weeks or more, before using a washer or combination washer-dryer, turn on all hot water faucets and let the water flow from each for several minutes. This will release any accumulated hydrogen gas. As the gas is flammable, do not smoke or use an open flame during this time.

## Critical installation warnings

---

### **WARNING**

Plug the power cord into an AC 120 V / 60 Hz/wall socket rated at 15 amps or higher. Use the socket for this appliance only. In addition, do not use an extension cord.

- Sharing a wall socket with other appliances, using a power strip, or extending the power cord may result in electric shock or fire.
- Do not use an electric transformer. It may result in electric shock or fire.
- Ensure that the power voltage, frequency, and current match the product's specifications. Failing to do so may result in electric shock or fire.

Have this appliance installed by a qualified technician or service company.

- Failing to do so may result in electric shock, fire, an explosion, problems with the product, or injury.

Remove all foreign substances such as dust or water from the power plug terminals and contact points using a dry cloth on a regular basis.

- Unplug the power plug and clean it with a dry cloth.
- Failing to do so may result in electric shock or fire.

## **SAVE THESE INSTRUCTIONS**

---

Plug the power plug into the wall socket in the right direction so that the cord runs towards the floor.

- If you plug the power plug into the socket in the opposite direction, the electric wires within the cable may be damaged and this may result in electric shock or fire.

This appliance must be properly grounded.

Do not ground the appliance to a gas pipe, plastic water pipe, or telephone line.

- Improper grounding may result in electric shock, fire, an explosion, or problems with the product.
- Never plug the power cord into a socket that is not grounded correctly. Make sure the socket you use is grounded in accordance with local and national codes.

Do not install this appliance near a heater or flammable material.

Do not install this appliance in a humid, oily, or dusty location, or in a location exposed to direct sunlight or water (rain drops).

Do not install this appliance in a location where gas may leak.

- This may result in electric shock or fire.

Plug the power plug into the wall socket firmly. Do not use a damaged power plug, damaged power cord, or loose wall socket.

- This may result in electric shock or fire.

Do not pull or excessively bend the power cord.

Do not twist or tie the power cord.

Do not hook the power cord over a metal object, place a heavy object on the power cord, insert the power cord between objects, or push the power cord into the space behind the appliance.

- This may result in electric shock or fire.

Do not pull the power cord when unplugging the power plug.

- Unplug the power plug by holding the plug.
- Failing to do so may result in electric shock or fire.

If the power plug or power cord are damaged, contact your nearest service center.

## SAVE THESE INSTRUCTIONS

# Safety information

---

## Installation cautions

---

### CAUTION

Position the appliance so that the power plug is easily accessible.

- Failing to do so may result in electric shock or fire due to electric leakage.

Install your appliance on a level and hard floor that can support its weight.

- Failing to do so may result in abnormal vibrations, noise, or problems with the product.

Unplug the power plug when the appliance is not being used for long periods of time or during a thunder/lightning storm.

- Failing to do so may result in electric shock or fire.

## Critical usage warnings

---

### WARNING

If the appliance is flooded, cut the power immediately and contact your nearest service center.

If the appliance emits a strange noise, a burning smell, or smoke, unplug the power plug immediately and contact your nearest service center.

- Failing to do so may result in electric shock or fire.

In the event of a gas leak (such as propane gas, LP gas, etc.), ventilate the area immediately. Do not turn any appliance or light on or off.

- Do not use a ventilating fan.
- A spark may result in an explosion or fire.

Do not wash items contaminated with gasoline, kerosene, benzene, paint thinner, alcohol or other flammable or explosive substances.

- This may result in electric shock, fire, or an explosion.

Do not force the washer lid open while the washer is operating (high-temperature washing/drying/spinning).

- Water flowing out of the washer may cause burns or cause the floor to be slippery. This may result in injury.
- Forcing the lid open can damage the product or cause injury.

## SAVE THESE INSTRUCTIONS

---

Make sure to remove the packaging (sponge, styrofoam) attached to the bottom of the washer before using it.

Do not insert your hand under the washer.

- This may result in injury.

Do not touch the power plug with wet hands.

- This may result in electric shock.

Do not turn the appliance off by unplugging the power plug while the washer is in operation.

- Plugging the power plug into the wall socket again may cause a spark and result in electric shock or fire.

Keep all packaging materials well out of the reach of children, as packaging materials can be dangerous to children.

- If a child places a bag over their head, the child may suffocate.

Do not let children or infirm persons use this washer unsupervised.

- Failing to do so may result in electric shock, burns or injury.

Do not insert your hand or a metal object under the washer while it is operating.

- This may result in injury.

Do not attempt to repair, disassemble, or modify the appliance yourself.

- Do not use any fuse (such as copper, steel wire, etc.) other than the standard fuse.
- If you need to repair or reinstall the appliance, contact your nearest service center.
- Failing to do so may result in electric shock, fire, problems with the product, or injury.

If any foreign substance such as water enters the appliance in any area other than the tub, unplug the power plug and contact your nearest service center.

- Failing to do so may result in electric shock or fire.

If the water supply hose comes loose from the faucet and floods the appliance, unplug the power plug.

- Failing to do so may result in electric shock or fire.

For waterproof fabrics, only use the BEDDING / WATERPROOF cycle.

- Do not use other cycles for waterproof fabrics. This may result in injury or damage to the washer, walls, floor, or clothing due to abnormal vibrations.
- Set the temperature and spin according to the attached care label.

## SAVE THESE INSTRUCTIONS

# Safety information

---

- **WARNING** : Failure to closely follow these instructions may result in an abnormal vibrating and out-of-balance condition that could result in physical injury, property damage, and/or appliance damage.

Remove your hands from the top of the washing machine before closing the lid.

- This will prevent any hand injury that may occur when closing the lid.

## Usage cautions

---

### CAUTION

If the washer is contaminated by a foreign substance such as detergent, dirt, food waste, etc., unplug the power plug and clean the washer using a damp, soft cloth.

- Failing to do so may result in discoloration, deformation, damage or rust.

The clear portion of the lid can be broken by a strong impact. Take care when using the washer.

- If the clear portion is cracked or broken, it may result in injury.

After a water supply failure or when reconnecting the water supply hose, open the faucet slowly.

Open the faucet slowly after a long period of non-use.

- The air pressure in the water supply hose or the water pipe may result in damage to a part or in water leakage.

If a drain error occurs during an operation, check if there is a draining problem.

- If the washer is used when it is flooded because of a draining problem, it may result in electric shock or fire due to electric leakage.

Do not insert your hand under the washer.

- This may result in injury.

Insert the laundry into the washer completely so that laundry does not get caught in the lid.

- If laundry gets caught in the lid, it may result in damage to the laundry or the washer, or result in water leakage.

Ensure that the faucet is turned off when the washer is not being used.

- Ensure that the water supply hose connectors are properly tightened.
- Failing to do so may result in property damage or injury.

## SAVE THESE INSTRUCTIONS

---

Open the faucet and check if the water supply hose connector is firmly tightened and that there is no water leaking before using the product.

- If the water supply hose connectors are loose, it may result in water leakage.

Do not stand on top of the appliance or place objects (such as laundry, lighted candles, lighted cigarettes, dishes, chemicals, metal objects, etc.) on the appliance.

- This may result in electric shock, fire, problems with the product, or injury.

Do not operate the appliance with wet hands.

- This may result in electric shock.

Do not spray volatile material such as insecticide onto the surface of the appliance.

- As well as being harmful to humans, it may also result in electric shock, fire, or problems with the product.

Do not place an object that generates a electromagnetic field near the washer.

- This may result in injury due to a malfunction.

Since the water drained during a high-temperature wash or drying cycle is hot, do not touch the water.

- This may result in burns or injury.

Do not operate the washer when the detergent dispenser is removed.

- This may result in electric shock or injury due to water leakage.

Do not insert your hand into the detergent dispenser after opening it.

- This may result in injury as your hand may be caught.

Do not place any non-laundry objects, such as shoes, food waste, or animals into the washer.

- This can cause abnormal vibrations that can damage the washer, and, in the case of pets, cause severe injury or death.

Do not press the buttons using sharp objects such as pins, knives, fingernails, etc.

- This may result in electric shock or injury.

Do not wash laundry contaminated by oils, creams, or lotions usually found in skincare shops or massage clinics.

- This may result in the rubber seal becoming deformed and water leakage.

Do not leave metal objects (safety pins, hair pins, etc.) or bleach in the tub for long periods of time.

- This may cause the tub to rust.

## SAVE THESE INSTRUCTIONS

# Safety information

---

- If rust appears on the surface of the tub, apply a neutral cleansing agent to the surface and use a sponge to clean it. Never use a metal brush.

Do not use dry cleaning detergent directly in the tub and do not wash, rinse, or spin laundry contaminated by dry cleaning detergent.

- This may result in spontaneous combustion or ignition due to heat from the oxidation of the oil.

Do not use hot water from water cooling/heating devices.

- This may result in problems with the washer.

Do not use natural hand-washing soap in the washer.

- If it hardens and accumulates inside the washer, it may cause problems with the product, discoloration, rust, or bad odors.

Do not wash large laundry items such as bedding in the washing net.

- Failing to do so may result in injury due to abnormal vibrations.
- Place smaller items, such as lace socks and lingerie in the washing net.

Do not use hardened detergent.

- If it accumulates inside the washer, it may result in water leakage.

Do not wash throw rugs or doormats.

- If you wash throw rugs or doormats, the sand will accumulate inside the washer. It may result in error such as no draining.

## Critical cleaning warnings

---

### **WARNING**

Do not clean the appliance by spraying water directly onto it.

Do not use the strong acid cleaning agent.

Do not use benzene, paint thinner, or alcohol to clean the appliance.

- This may result in discoloration, deformation, damage, electric shock, or fire.

Before cleaning or performing maintenance, unplug the appliance from the wall socket.

- Failing to do so may result in electric shock or fire.

# SAVE THESE INSTRUCTIONS

# Installation

---

Follow these instructions carefully to ensure proper installation of the washer and to prevent accidents when using it.

## **WARNING**

Certain internal parts are intentionally not grounded and may present a risk electric shock only during servicing. Service personnel – Do not contact the following parts while the appliance is energized: Control board, heat sink, motor, inlet valve, heater and pump.

## Unpacking your washer

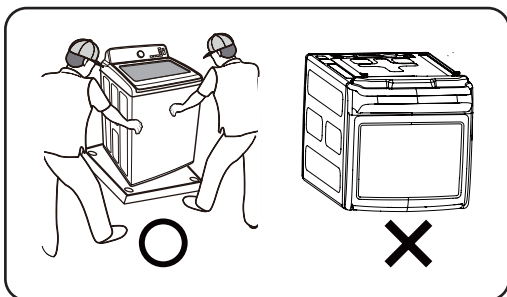
---

Unpack your washer and inspect it for shipping damage. Make sure you have received all the items shown below. If your washer was damaged during shipping, or you do not have all of the items, contact 1-800-SAMSUNG (1-800-726-7864).

To prevent personal injury or strain, wear protective gloves whenever lifting or carrying the unit.

## **WARNING**

Packing materials can be dangerous to children; Keep all packing material (plastic bags, polystyrene, etc.) well out of children's reach.



## **CAUTION**

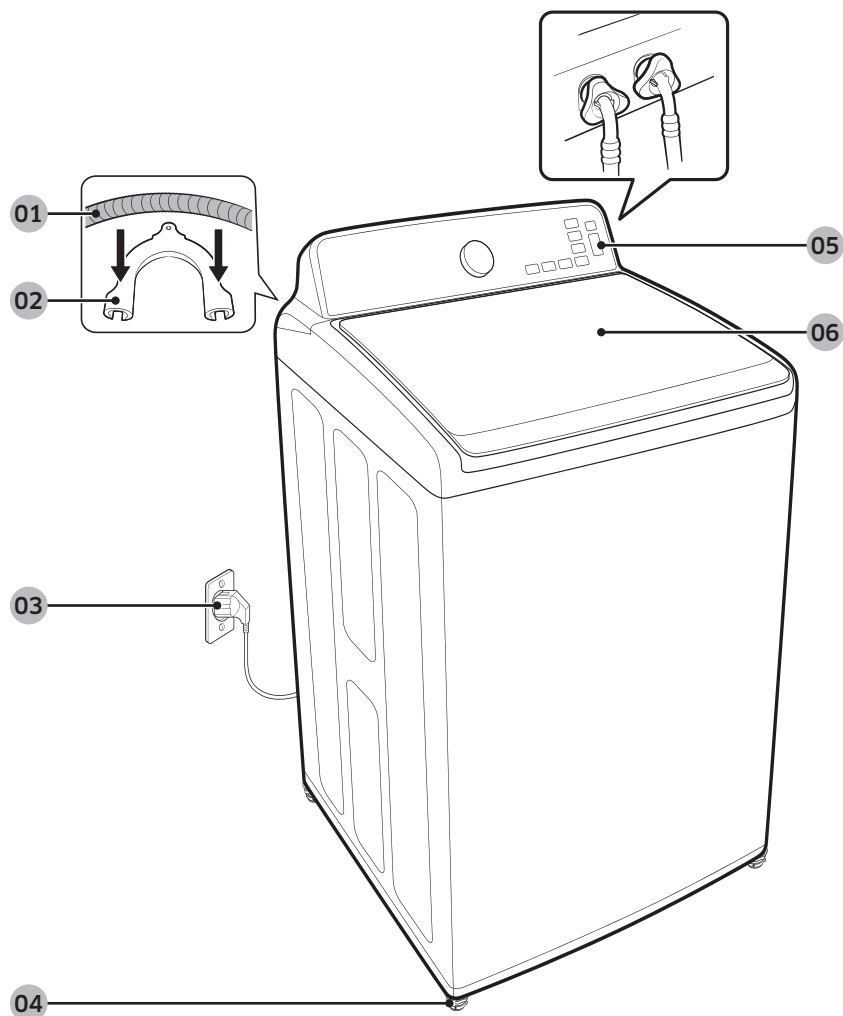
When unpacking the washer, 2 person collaboration is needed. To remove the cushion bottom of the packing materials, forward dumping is strictly prohibited.

When you lay the washer down to remove carton base, should protect the side of washer and lay it carefully. Never lay your washer on its back or front.

# Installation

## Overview of your washer

Make sure all the parts are included in the product package. If you have a problem with the washer or the parts, contact a local Samsung customer center or the retailer.



**01** Drain hose

**02** Hose guide

**03** Power cord

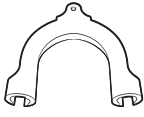
**04** Leveling feet

**05** Control panel

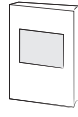
**06** Lid

---

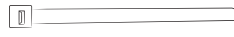
## Parts supplied



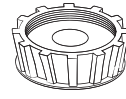
Hose guide



User manual

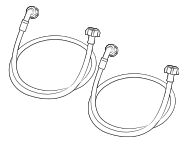


Plastic zip hose tie



Water intake cap

## Parts not supplied



Water supply hoses

## Tools needed for installation



Wrench



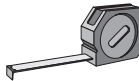
Flat screwdriver



Leveller



Adjustable Plier



Measuring tape

## NOTE

- If you lose an accessory and want to purchase a replacement, contact the Samsung service center (1-800-SAMSUNG (1-800-726-7864)).
- The design of the parts and accessories may differ from the pictures above. Their design is subject to change without notice for product improvement.
- Do not reuse old hoses. Only use new water supply hoses when you install the washer. Old water supply hoses can leak or burst causing flooding and property damage.
- Confirm that there are rubber washers inside each coupling of the water supply hoses.

# Installation

---

## Basic location requirements

---

### Electrical

- 120 Volt 60 Hz 15 AMP fuse or circuit breaker.
- Individual branch circuit serving only your Washer is recommended.
- Your washer is equipped with a power cord.

### CAUTION

Never use an extension cord.

### Grounding

Electrical grounding is required for this appliance.

This appliance must be grounded. In the event of malfunction or breakdown, grounding will reduce the risk of electric shock by providing a path of least resistance for electric current.

This appliance is equipped with a power cord having a three-prong grounding plug for use in a properly installed and grounded outlet.

The plug must be plugged into an appropriate outlet that is properly installed and grounded in accordance with all local codes and ordinances.

### WARNING

An improperly connected equipment-grounding conductor can increase the risk of electrical shock. Check with a qualified electrician or serviceman if you are not sure whether the appliance is properly grounded. Do not modify the plug provided with the appliance - if it does not fit the outlet, have a proper outlet installed by a qualified electrician.

### Important safety precautions

To prevent unnecessary risk of fire, electrical shock or personal injury, all wiring and grounding must be done in accordance with the National Electrical Code ANSI/FNPA, No.70 Latest Revision and local codes and ordinances. It is the personal responsibility of the appliance owner to provide adequate electrical service for this appliance.

### CAUTION

Never connect the ground wire to plastic plumbing lines, gas lines, or hot water pipes.

---

## Water

To correctly fill your Washer in the proper amount of time, water pressure of 20 to 116 psi (137 to 800 kPa) is required. Water pressure less than 20 psi may cause water valve failure, or may not allow the water valve to shut off completely, or may extend the fill time beyond what your Washer controls allow, causing your Washer to turn off. A time limit is built into the controls to prevent flooding in your home if a hose becomes loose.

The water faucets must be within 4 feet (122 cm) to the back of your Washer to match the inlet hoses provided with your Washer.

### NOTE

Accessory inlet hoses are available in various lengths up to 10 feet (275 cm) for faucets that are further away from the back of your washer.

To avoid the possibility of water damage:

- Have water faucets easily accessible.
- Turn off faucets when the washer is not in use.
- Periodically check that there is no leakage from the water inlet hose fittings.

### WARNING

Check all connections at the water valve and faucet for leaks

## Drain facility

The recommended height of the standpipe is 39 in (99 cm). The drain hose must be routed through the drain hose clip to the standpipe. The standpipe must be large enough to accept the outside diameter of the drain hose. The drain hose is attached to the washer at the factory.

## Flooring

For best performance, you must install your washer on a solidly constructed floor. Wood floors may need to be reinforced to minimize vibration and/or unbalanced load situations. Carpeting and soft tile surfaces are contributing factors to vibration which can cause your washer to move slightly during the spin cycle.

Never install your washer on a platform or weakly supported structure.

## Location considerations

Do not install your washer in areas where water may freeze, since your washer will always retain some water in its water valve, pump, and hose areas. Frozen water can damage the belts, the pump, hoses, and other components.

# Installation

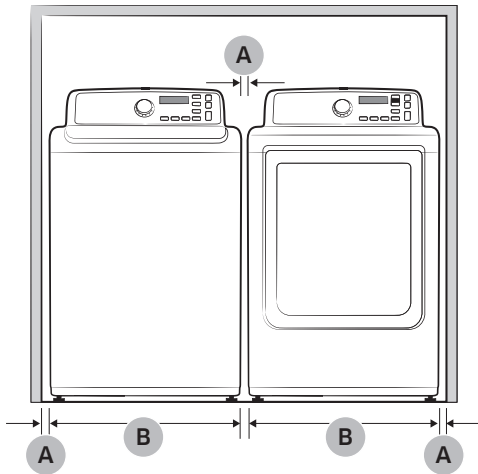
## Alcove or closet installation

Minimum clearances for closet and alcove installations:

Sides	1 in / 25 mm	Closet front	1 in / 25 mm
Rear	5.9 in / 150 mm	Top	21 in / 533 mm

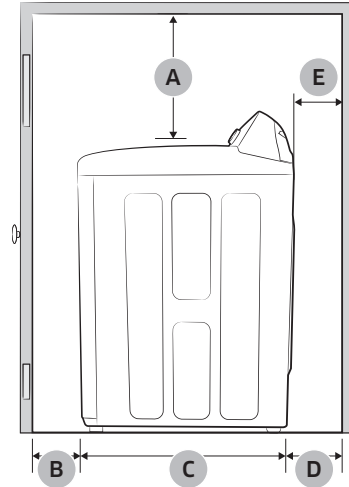
If the washer and dryer are installed together, the closet front must have at least a 72 in<sup>2</sup> (465 cm<sup>2</sup>) unobstructed air opening. Your washer alone does not require a specific air opening.

### Recessed area



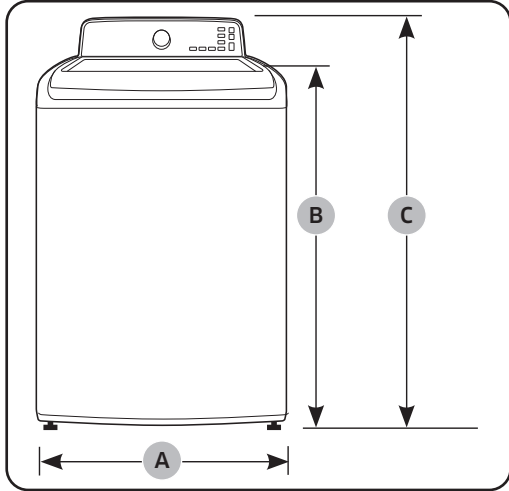
A	1 in (2.5 cm)
B	27.0 in (68.6 cm)

### Side view - closet or confined area

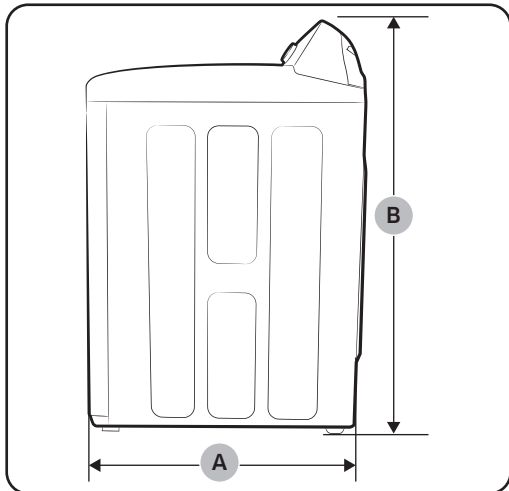


A	21 in (53.3 cm)
B	1 in (2.5 cm)
C	29 7/16 in (74.4 cm)
D	5.9 in (15.0 cm)
E	Gap between end of water valve and the wall <ul style="list-style-type: none"> <li>Case 1. Assemble supply hose after installing : Over 4 in (10 cm).</li> <li>Case 2. Assemble supply hose before installing : Over 3 in (8 cm).</li> </ul>

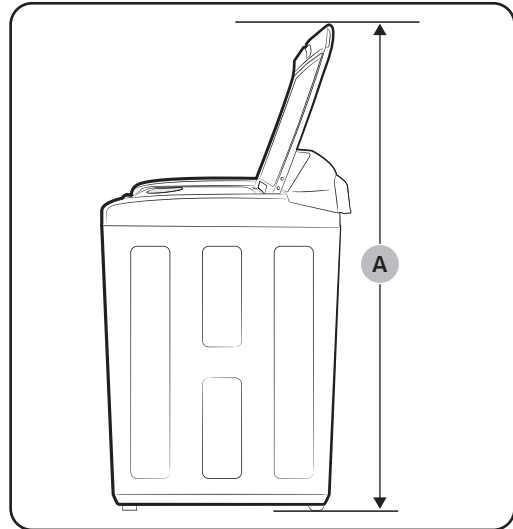
## Required dimensions for Installation



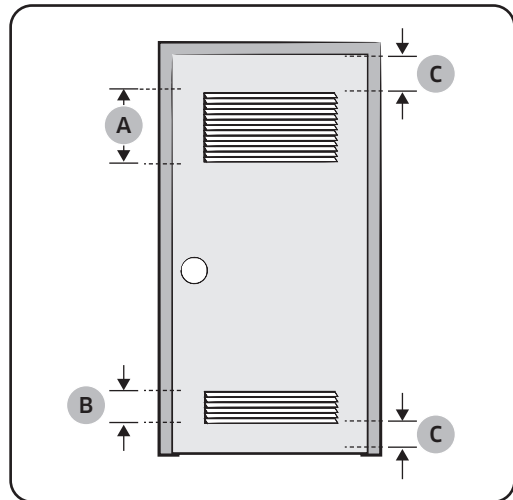
A	27.0 in (68.6 cm)
B	39.3 in (99.8 cm)
C	43.9 in (111.7 cm)



A	29.3 in (74.4 cm)
B	43.9 in (111.7 cm)



A	59.3 in (150.5 cm)
---	--------------------



A*	48.0 in <sup>2</sup> (310.0 cm <sup>2</sup> )
B*	24.0 in <sup>2</sup> (155.0 cm <sup>2</sup> )
C	3.0 in (7.6 cm)

### NOTE

\* Required spacing

# Installation

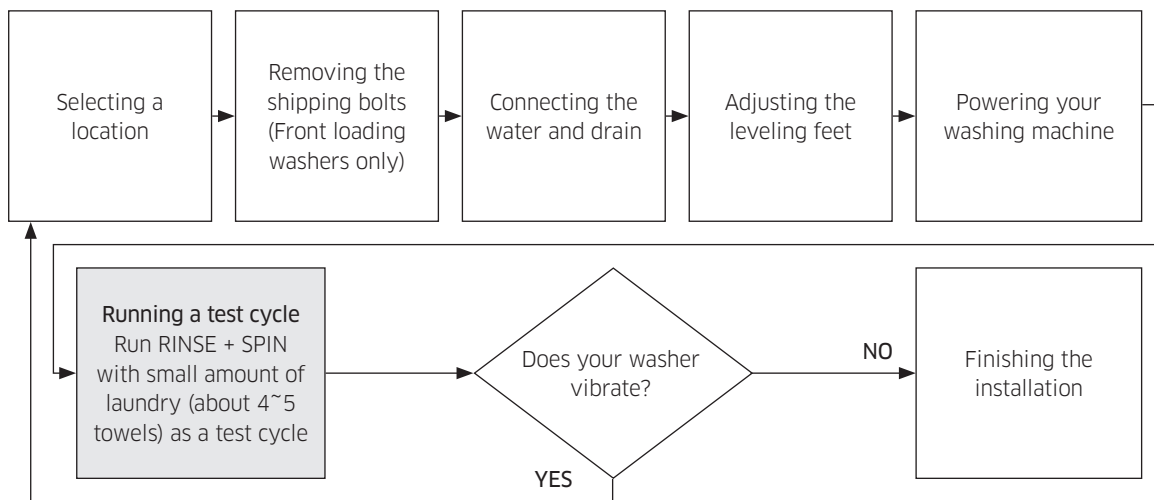
## Important note to installer

Please read the following instructions carefully before installing your washer.

These instructions should be retained for future reference.

We recommend you hire a professional to install this washer.

## Installation flow chart



Check again before steps.

---

## Step-by-step installation

---

### STEP 1 Selecting a location

---

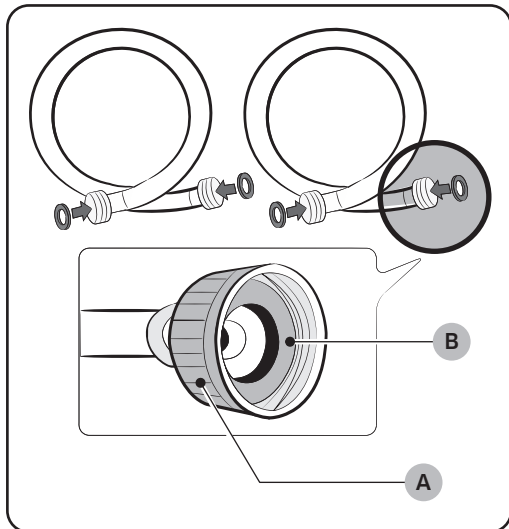
#### NOTE

Before you install the washer, make sure the location:

- Has a hard, level surface without carpeting or flooring that may obstruct ventilation.
- Is away from direct sunlight.
- Has adequate ventilation.
- Is not exposed to freezing temperatures (temperatures under 32 °F or 0 °C).
- Is away from heat sources such as oil or gas.
- Has enough space so that the washer doesn't rest on its power cord.

### STEP 2 Connecting the water supply hose

---



#### CAUTION

Before installing the water supply hoses, make sure there are **rubber gaskets (B)** inside the **couplings (A)** at both ends of each new water hose. Installing the water supply hoses without rubber gaskets can cause water leakage.

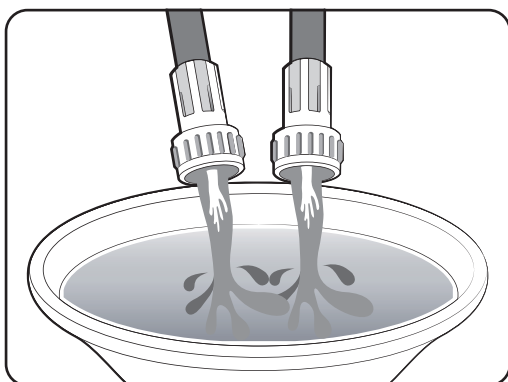
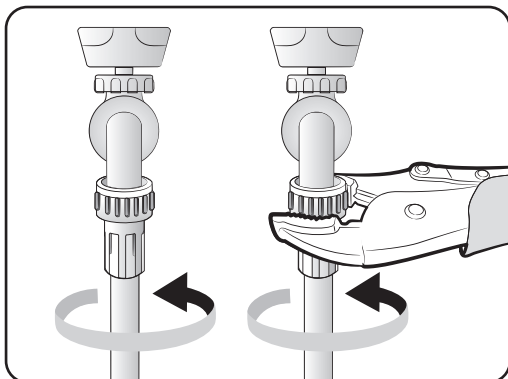
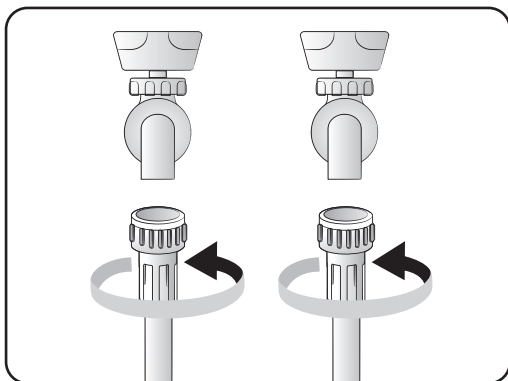
#### CAUTION

When you initially install the washer, be sure to use new hoses. Failing to do so may result in a water leakage or overflow and may damage your property.

#### CAUTION

Do not connect multiple water supply hoses together to increase the length of the supply hose. Hoses connected this way can leak and the leakage can cause electrical shock. If a hose is too short, replace the hose with a longer, high pressure hose.

# Installation



1. Connect the ends of the water supply hoses to the **hot** and **cold** faucets.
2. Tighten the fittings by hand until they are snug, and then tighten them an additional two-thirds of a turn with a plier.

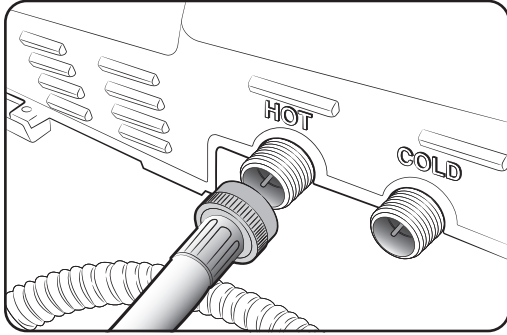
## ⚠ CAUTION

When you fasten the fittings, do not fasten them too tightly or apply tape or sealant to the faucets or water supply intakes. This can damage the fittings.

## 📄 NOTE

After you have connected the water supply hoses to the faucets, ensure that they are connected correctly by pulling the water supply hoses downwards.

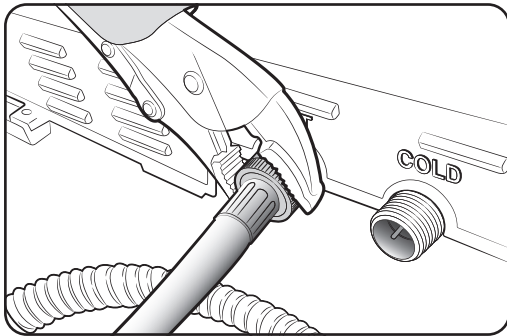
3. Place the unconnected ends of the hoses into a bucket and open the faucets connected to the two water supply hoses for 10 or 15 seconds to remove any foreign substances from the hoses. Close the faucets before continuing.



4. Connect the ends of the water supply hoses to the water supply intake connections at the back of the washer.

### ⚠ CAUTION

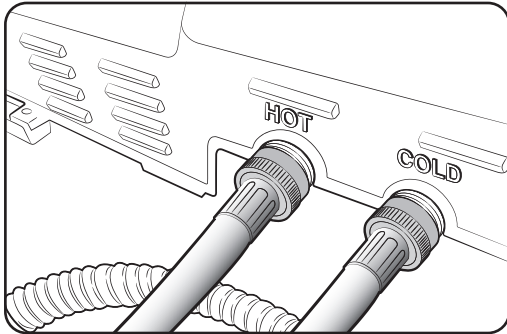
The water supply hose connected to the hot faucet must be connected to the hot water supply intake and the water hose connected to the cold faucet must be connected to the cold water supply intake.



5. Tighten the fittings by hand until they are snug, and then tighten them an additional two-thirds of a turn with a plier.

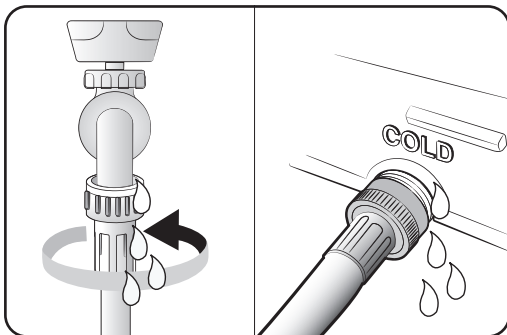
### 📖 NOTE

To ensure correct water usage, connect both the hot and cold water faucets. If either or both are not connected, the **Cool** (no fill) LED will flash.



### 📖 NOTE

If you do not want to use the hot water supply hose, insert the water intake cap into the hot water supply intake hole. In this case, you must select the **Cold** for the water temperature. If you select the **Cold**, all the lamps for the water temperature options are turned off.



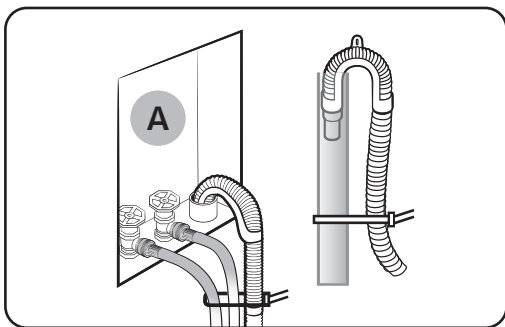
### ⚠ CAUTION

Confirm that the water supply hoses are not twisted or bent. If the hoses are twisted or bent, the hoses can leak and cause electric shock due to the water leakage.

6. Turn on the hot and cold water supplies and check all the water supply intake connections and the faucets for water leaks.

# Installation

## STEP 3 Connecting the drain hose



The end of the drain hose can be positioned in three ways:

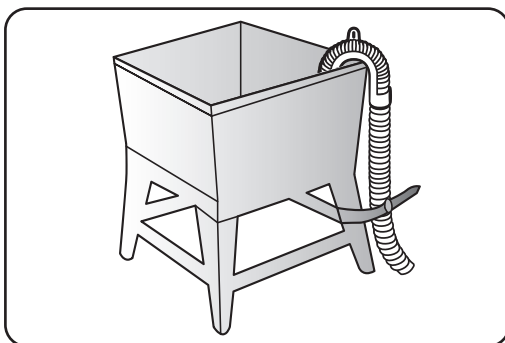
### In a Wall standpipe or Floor standpipe

The height of end of standpipe must be no lower than 39 in (99 cm) and no higher than 96 in (245 cm).

If drain pipe are built into the wall with water valves (A), fasten the drain hose to the water hose.

### NOTE

- Make sure that the connection between the drain hose and the standpipe is not airtight.

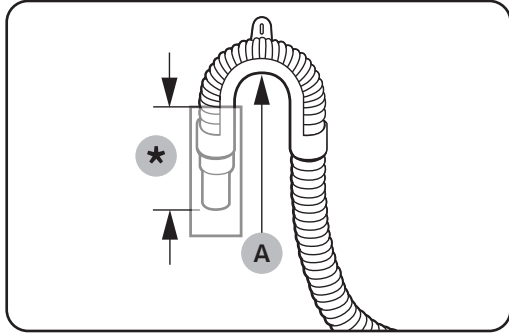


### In a laundry tub

The height of the tub must be no lower than 39 in (99 cm) and no higher than 96 in (245 cm).

Assemble the supplied Hose guide at the end of the drain hose, and put the hanger on laundry tub.

And fasten the drain hose to the leg of laundry tub.



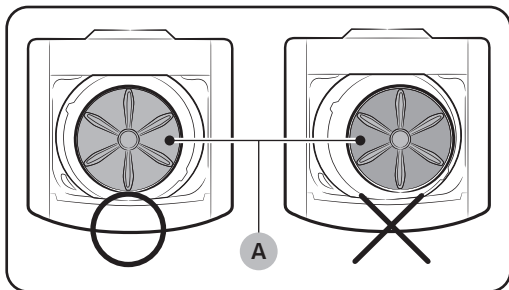
**NOTE**

Connect the hose guide (A) within 3~5 in (7.6~12.7 cm)\* from the end of the drain hose. If the drain hose is extended beyond the end of the hose guide, mold or microorganisms could spread inside the washer.

**NOTE**

The drain hose can be installed to a 96 in (245 cm) maximum, but the draining capability can be reduced at this height. It can cause the washer to have an odor because of remaining water in the drain system.

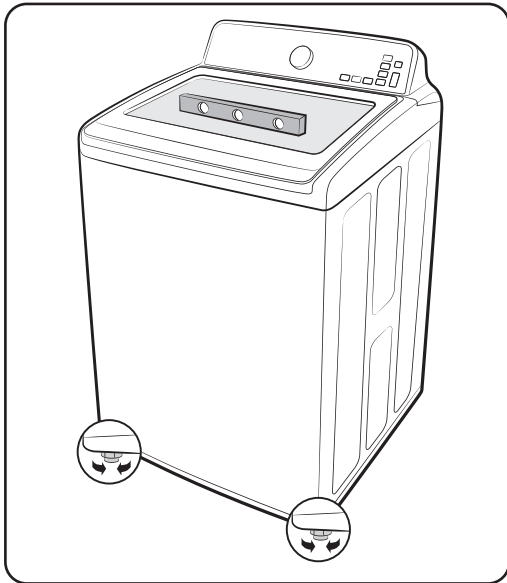
**STEP 4 Leveling your washer**



See if the washer is level by checking the position of the tub:

1. Slide the washer into position.
2. Open the lid of the washer, and pour the water into the tub to just below the pulsator level.

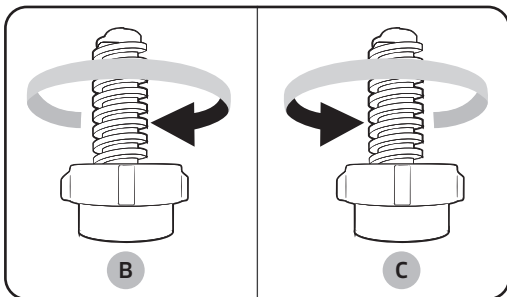
# Installation



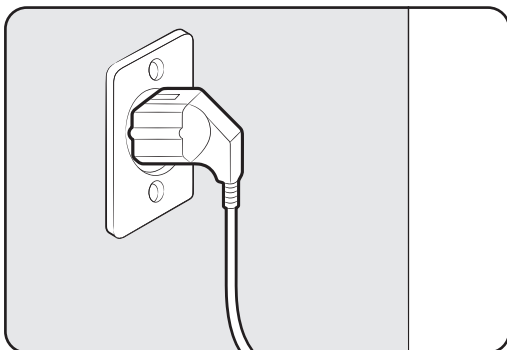
3. If the washer is level, the **pulsator (A)** is positioned at the center of the water as shown in the figure. If not, level your washer by turning the front leveling feet clockwise or counterclockwise as necessary.

## NOTE

- Turn the front leveling feet **clockwise (B)** to lower the washer, and **counterclockwise (C)** to raise the washer.
- Number of leveling feet may differ depending on the models.



## STEP 5 Powering your washer



Plug the power cord into a 3-prong, well grounded 120 volt 60 Hz approved electrical outlet protected by a 15-amp fuse or comparable circuit breaker. Your washer is grounded through the third prong of the power cord when plugged into a three-prong grounded electrical outlet.

### Test run

Make sure that you install your washer correctly by running the **RINSE + SPIN** after the installation is complete.

---

## STEP 6 Running a test cycle

---

Run a test cycle as follows to check if your washer is properly installed.

1. Load about 6 pounds of laundry into the tub.
2. Press **POWER** to turn on your washer.
3. Select **RINSE + SPIN** by turning the **Cycle Selector**.
4. Press **START/PAUSE** to start the test cycle.
5. The washer should not rock or vibrate excessively when water is supplied or when washing or spinning, and should drain well during the spin cycle.

### NOTE

If water leaks while water is being supplied or drained, check the water connections. Refer to the “**STEP 2 Connecting the water supply hose**” section on page 21 for instructions.

### NOTE

If the washer rocks and vibrates excessively, level your washer again. Refer to the “**STEP 4 Leveling your washer**” section on page 25 for instructions.

## STEP 7 Run calibration (recommended)

---

Calibration ensures accurate weight detection by the washer. Make sure the tub is empty before running calibration.

1. Press and hold **Temp.** and **Power** simultaneously.
2. Press **Start/Pause** to start calibration.
3. The tub rotates clockwise for approximately 2 minutes.
4. When complete, all lamps on the control panel turn off, and then the washer automatically powers off.

### NOTE

Run Calibration Mode periodically for more accurate weight detection.

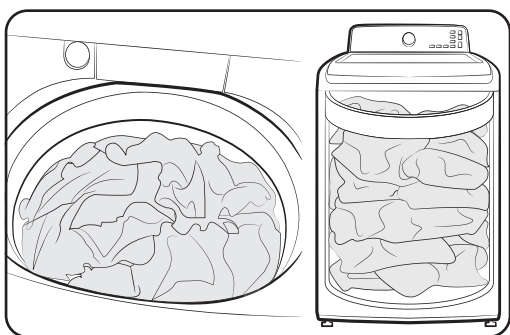
# Operating instructions

## **WARNING**

To reduce the risk of fire, electric shock, or injury to persons when using your appliance, follow basic precautions, including the following:

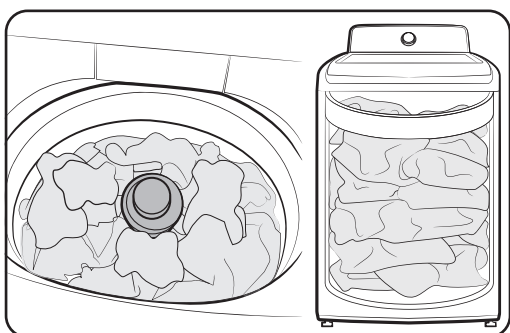
## Loading your washer

### WA41A3\*\*\*A\*



- Fill the tub with dry, unfolded clothes evenly around in order to enhance washing efficiency and prevent excess wear, or wrinkling of the load.
- For optimal washing performance, make sure the laundry is piled up evenly.
- Wash delicate items such as bras, hosiery, and other lingerie in the Delicates cycle with similar lightweight items.
- When washing big bulky items or a few smaller items that don't fill the tub completely - a rug, a pillow, stuffed toys, or one or two sweaters, for example - add a few towels to improve spin performance.
- Do not insert bulky items except for Bedding in this cycle.

### WA40A3\*\*\*A\*



## **NOTE**

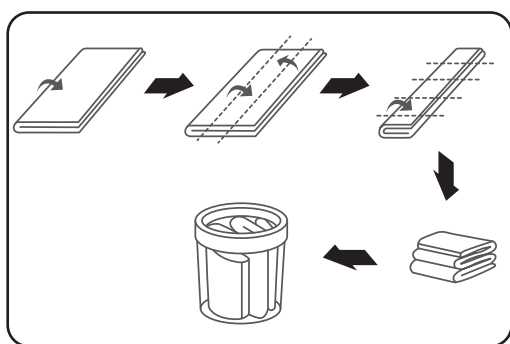
During the spin cycle, the washer may add additional water to redistribute the clothes and correct an imbalance inside the drum.

- When washing heavily soiled loads, do not overload your washer to ensure good cleaning results.

## **CAUTION**

- Inflatable items may cause damage to the laundry or the machine during the wash or drying process.

- Regardless of the size, blankets or quilts are safer and cleaner to wash one item at a time. Two different-sized blankets in the same load may compromise the drying performance due to unbalanced loads.



#### To input a blanket (WA41A3\*\*\*A\* models only)

Fold the blanket into the blanket-specific net as shown, and then insert in the tub below the plastic area of the tub.

#### ⚠ CAUTION

Make sure the laundry is inserted completely.

- Any exposed part of the laundry may cause damage to the machine or the laundry itself, or a water leak.
- Do not overload the tub. Make sure no part of the laundry is exposed outside of the tub.

#### To add a forgotten item:

1. Press **START/PAUSE** to pause the washer.
2. Wait for the door to unlock automatically, and then open the door.
3. Add the item, close the door, and then press **START/PAUSE**. The cycle will resume.

#### 📄 NOTE

Do not wash different types of bedding (blankets, sheets, comforters/duvets) together. They can get unbalanced in the tub and cause poor spinning results.

- Separate the beddings by their type before washing.
  - If an item is bulky and absorbs large amounts of water during washing, wash that item individually.
  - Do not wash light items with items that hardly absorb water together.
  - Do not wash duvets or comforters with their covers or bed sheets.

# Operating instructions

---

## Getting started

---

1. Add liquid (or powder) detergent and additives (see the "**Detergent use**" section on page 36).
2. Load your washer.
3. Select the appropriate cycle and options for the load (see the "**Washing a load of laundry**" section page 31).
4. Close the lid.
5. Press **START/PAUSE**.
6. The **Wash** Indicator illuminates.
7. The estimated cycle time will appear in the display.  
The time may fluctuate to indicate the time remaining in the cycle.

### **NOTE**

The actual time required for a cycle may differ from the estimated time in the display depending on the water pressure, water temperature, detergent, and laundry.

8. Before your washer starts to fill, it will make a series of clicking noises to check the door lock and do a quick drain.

### **NOTE**

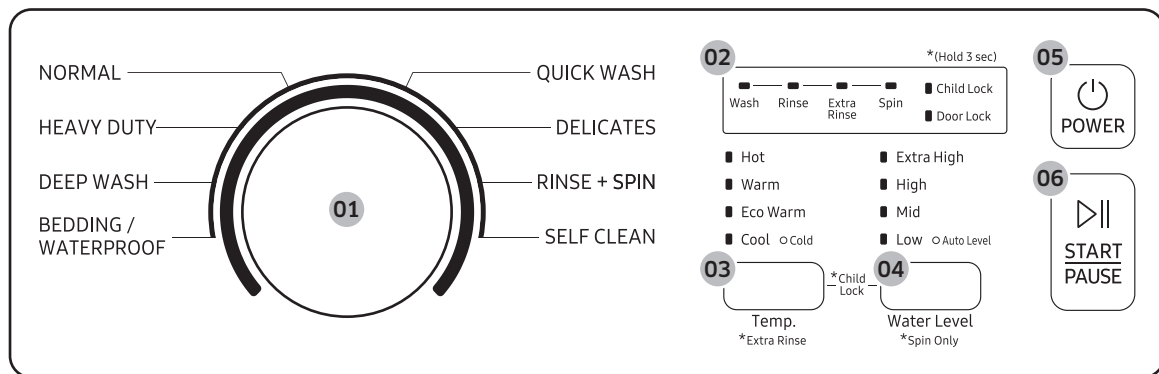
- When the cycle is complete, the **Door Lock** indicator will go out.
- Pressing **POWER** cancels the cycle and stops your washer.
- The **Wash**, **Rinse**, and **Spin** indicators will illuminate during those portions of the cycle.

# Washing a load of laundry

## ⚠️ WARNING

To reduce the risk of fire, electric shock, or injury to persons, read the **IMPORTANT SAFETY INSTRUCTIONS** before operating this appliance.

## Control panel



<b>01</b> Cycle Selector	Turn the Cycle Selector to select the desired cycle. The indicator by the cycle name lights up.
<b>02</b> Display	Provides instructions and diagnostics while keeping you updated on the cycle status and time remaining.
<b>03</b> Temp.	<p>Press the button repeatedly to cycle through the different water temperature options.</p> <ul style="list-style-type: none"> <li>• <b>Hot</b> - Whites and heavily soiled, colorfast items.</li> <li>• <b>Warm</b> - Colorfast items.</li> <li>• <b>Eco Warm</b> - Moderately soiled, colorfast items; most wrinkle-free items.</li> <li>• <b>Cool</b> - Brightly colored, very lightly soiled items.</li> <li>• <b>Cold</b> - Cold water with no warm water added.</li> </ul> <p><b>NOTE</b></p> <ul style="list-style-type: none"> <li>• If you select the Cold option, all the lamps for the water temperature options are turned off.</li> <li>• <b>Extra Rinse</b>: Change from spray rinse mode to deep rinse mode, and rinse once again. Press and hold <b>Temp.</b> for 3 seconds.</li> </ul>

# Washing a load of laundry

<b>04</b> Water Level	The water level is Extra high. However, you can select the water level manually by pressing this button. <b>Spin Only:</b> This cycle runs a spin cycle only. Press and hold <b>Water Level</b> for 3 seconds.
<b>05</b> POWER	Press once to turn your washer on. Press again to turn your washer off. If the washer is left on for more than 10 minutes without any buttons being pressed, the power automatically turns off.
<b>06</b> START/PAUSE	Press to pause and restart cycles.

## Cycle overview

Cycle	Description
NORMAL	For most fabrics including cottons, linens, and normally soiled garments.
HEAVY DUTY	For sturdy, colorfast fabrics and heavily soiled garments. We propose to use this function only when washing lot of heavily soiled garments.
DEEP WASH	Use more water in washing and rinsing. Recommended to use this cycle when using fabric softener.
BEDDING / WATERPROOF	For bulky and large items, such as comforters, blankets and sheets. When washing comforters, use liquid detergent, waterproof or water-resistant items.  <b>⚠ CAUTION</b> ❌ Do not wash waterproof items and non-waterproof items together. ❌ Check the specification label on the fabric item and see if the item is waterproof. ❌ Use the BEDDING / WATERPROOF cycle for waterproof or water-resistant items such as plastic mats, ski pants, raincoat and comforters which hardly absorb water.
QUICK WASH	For lightly soiled garments needed quickly.
DELICATES	For sheer fabrics, bras, lingerie, silks, and other handwash-only fabrics. For best results, use liquid detergent.

Cycle	Description
RINSE + SPIN	Use for loads that need rinsing only or to add rinse-added fabric softener to a load.
SELF CLEAN	Use to clean dirt and build-up from the tub. Regular use (after every 20 washes) is recommended.

## Options

### Child Lock

Child Lock disables the **START/PAUSE** button while the washer is operating. This is to prevent children from playing with the washer.

#### Activating the Child Lock function

Press and hold the **Temp.** and **Water Level** buttons simultaneously for approximately 3 seconds.

- Child Lock disables the **START/PAUSE** button while the washer is operating.
- The Child Lock Indicator blinks.

#### Using the Child Lock function

If the lid is opened when the Child Lock function is on, the **Hot** LED illuminates and an alarm sounds.

- If the water level in the tub is above the safe water level, the **Hot** light illuminates on the LED display and the washing machine starts to drain after 30 seconds.
- If the water level in the tub is above the safe water level and the Child Lock function is turned on while the door is open, the **Hot, Cool, Extra High, and Low** lights illuminate on the LED display even if the power is turned off and the washing machine starts to drain.

- If the power is off and the lid is opened while the water level in the tub is above the Reset water level, the **Hot, Cool, Extra High, and Low** lights illuminate on the LED display and the washing machine starts to drain. When the draining operation finishes, the power is automatically turned off again.
- If you activate Child Lock while the washing machine is running, the **START/PAUSE** button will not work.
- After the compulsory drain, the **Hot, Cool, Extra High, and Low** lights blink at 1 second intervals and the product enters the **Hot, Cool, Extra High, and Low** light mode. (When the product is in the the **Hot, Cool, Extra High, and Low** light mode, only the **POWER** button works.)
- To cancel the the **Hot, Cool, Extra High, and Low** light mode, you need to turn the power off and then on again.
- To cancel the **Hot** light mode, deactivate the Child Lock function. To deactivate the Child Lock function, press and hold the **Temp.** and **Water Level** buttons simultaneously for at least 3 seconds.

# Washing a load of laundry

---

## NOTE

**Adding laundry when Child Lock is on**  
To add laundry, deactivate the Child Lock function. To deactivate the Child Lock function, press and hold **Temp.** and **Water Level** simultaneously for at least 3 seconds. See the “**Pause Option**” section on page 35 for additional details.

### Deactivating the Child Lock function

Press and hold both **Temp.** and **Water Level** simultaneously for approximately 3 seconds.

- When you deactivate the Child Lock function, the **Child Lock** indicator is turned off.
- The Child Lock function prevents children or the infirm from accidentally operating the washer and injuring themselves.

## WARNING

If a child enters the washer, the child may become trapped and suffocate.

## CAUTION

- Once you have activated the Child Lock function, it continues working even if the power is turned off.
- Forcing the lid open can result in injury or damage to the product.

## NOTE

To add laundry after you have activated the Child Lock function, you must first deactivate the Child Lock function.

---

## Washing clothes using the cycle selector

---

Your new washer makes washing clothes easy, using Samsung's "Fuzzy Control" automatic control system. When you select a wash program, the machine will set the correct temperature, washing time, and washing speed.

1. Press **POWER**.
2. Open the lid.
3. Load the articles of clothing one at a time loosely into the drum, without overfilling it.
4. Add liquid (or powder) detergent, softener, and/or bleach (if necessary) to the appropriate compartments. See the "Detergent use" section on page 36.
5. Close the lid.
6. Use the **Cycle Selector** to select the appropriate cycle according to the type of material: **NORMAL, HEAVY DUTY, DEEP WASH, BEDDING / WATERPROOF, QUICK WASH, DELICATES**, and **RINSE + SPIN**. The relevant indicators will illuminate on the control panel.
7. At this time, you can control the wash temperature, the number of rinse cycles, the spinning speed, and the delay time by pressing the appropriate option button.
8. Press **START/PAUSE** and the wash will begin. The process indicator will light up and the remaining time for the cycle will appear in the display.

### Pause Option

To remove or add laundry items, follow these steps:

1. Press **START/PAUSE** to unlock the lid.

#### **NOTE**

The lid cannot be opened when the water is too **HOT**.

2. Remove or add laundry items.
3. Close the lid, and then press **START/PAUSE** to restart the wash.

#### **NOTE**

If you have Child Lock on, you must deactivate it first. See page 33.

### When the cycle is finished:

After the total cycle has finished, the power will turn off automatically.

1. Open the lid.
2. Remove laundry.

# Washing a load of laundry

---

## ATC (Auto Temperature Control)

---

ATC is the control function that the washer controls water temperature with temperature sensor (thermistor).

### **NOTE**

Because there are numerous water temperatures depending on the customer's environments (cold areas, warm areas, various water temperatures, settings of heater temperature, etc.), ATC function in our washer maintains the certain level of wash temperature to output the best washing performance at each cycle.

### **NOTE**

If you select **NORMAL** cycle, this cycle is the regulation and UL cycle. Since new washers must reduce the amount of energy usage as a first priority, customers will notice more cold water entering the washer. But, this is normal, not a problem.

In those regulation cycles, Hot temperature is similar to acceptable adult bath-water temperature and warm temperature is similar to comfortable swimming-pool water temperature.

### **NOTE**

If customers want to wash clothes in specific water temperatures, customers should choose a different cycle at each temperature (Hot/Warm/Eco Warm/Cool).

## Detergent use

---

For the best cleaning results, use a high efficiency detergent such as Tide HE, Wisk HE, Cheer HE or Gain HE\*. High efficiency detergents contain suds suppressors that reduce or eliminate suds. When fewer suds are produced, the load tumbles more efficiently and cleaning is maximized.

(\* Brand names are trademarks of their respective manufacturers.)

### **WARNING**

For best results, use HE detergents only. Do not use non-HE detergent, organic detergent, natural detergent or HE detergents with natural ingredients (such as vinegar, baking soda).

### **NOTE**

Reducing the amount of detergent may reduce the quality of cleaning. It is important to pre-treat stains, sort carefully by color and soil level, and avoid overloading.

---

## Features

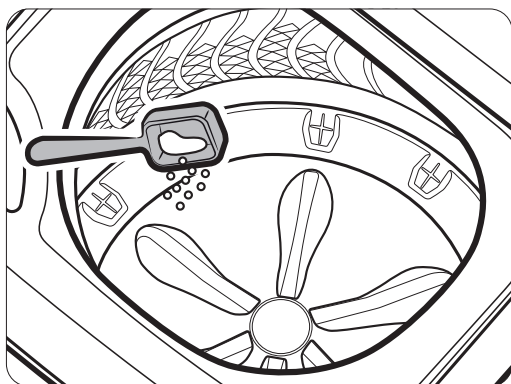
---

### To add detergent

 **NOTE**

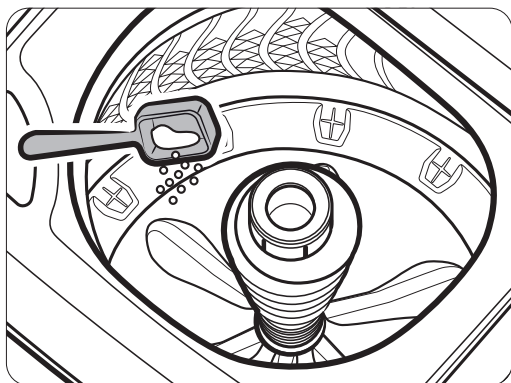
Never exceed the manufacturer's recommendations when adding detergent.

WA41A3\*\*\*A\*



1. Open the lid.
2. Load the recommended amount of liquid or powder detergent into the tub.
3. Load the laundry and close the lid.

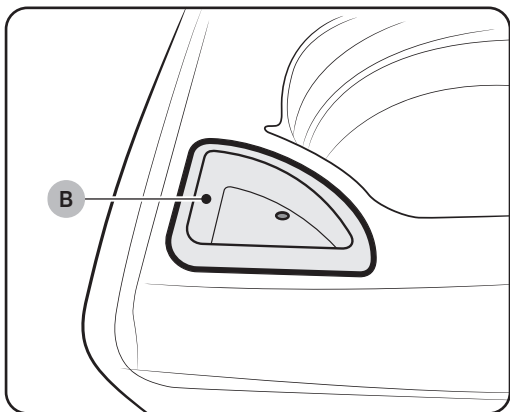
WA40A3\*\*\*A\*



# Washing a load of laundry

---

## Loading the Bleach compartment



### **CAUTION**

Use the liquid chlorine bleach only.

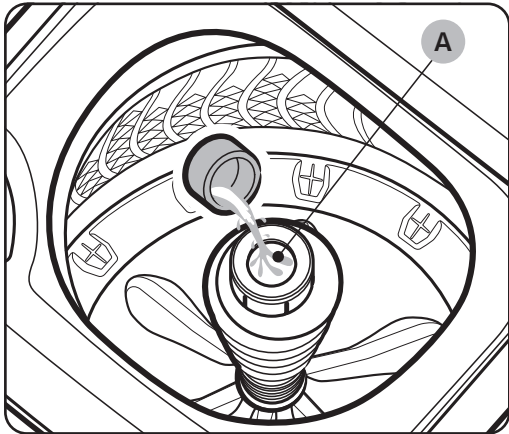
1. Add chlorine bleach to the **bleach compartment (B)**.  
DO NOT exceed the bleach compartment.

### **NOTE**

- Avoid splashing or over-filling the compartment.
- Never pour undiluted liquid chlorine bleach directly onto the load or into the tub. It is a powerful chemical and can cause fabric damage, such as weakening of the fibers or color loss, if not used properly.
- If you prefer to use color-safe, add it to the appropriate detergent compartment. DO NOT pour color-safe bleach into the Bleach compartment.

---

## Loading the fabric softener compartment (WA40A3\*\*\*A\* models only)



1. Pour the recommended amount of liquid fabric softener into the **softener compartment (A)**.
2. Pour warm water into the **softener compartment (A)** to dilute fabric softener. Do not exceed the MAX line.

 **NOTE**

- Not diluting fabric softener with water may cause clogging.
  - Select **DEEP WASH** if you are using fabric softener.
3. Softener is dispensed automatically into the tub at the proper time during the rinse cycle.

# Maintaining your washer

---

## **WARNING**

Certain internal parts are intentionally not grounded and may present a risk electric shock only during servicing. Service personnel – Do not contact the following parts while the appliance is energized: Control board, heat sink, motor, inlet valve, heater and pump.

## Cleaning the exterior

---

1. Turn off the water faucets after finishing the day's washing.  
This will shut off the water supply to your washer and prevent the unlikely possibility of damage from escaping water. Leave the lid open to allow the inside of your washer to dry out.
2. Use a soft cloth to wipe up all detergent, bleach or other spills as they occur.
3. Clean the following as recommended:  
Control Panel – Clean with a soft, damp cloth. Do not use abrasive powders or cleaning pads. Do not spray cleaners directly on the panel.

## Cleaning the interior

---

Clean the interior of your washer periodically to remove any dirt, soil, odor, mold, mildew, or bacterial residue that may remain in your washer as a result of washing clothes.

Failure to follow these instructions may result in unpleasant conditions, including odors and/or permanent stains on your washer or laundry.

Hard water deposits may be removed, if needed. Use cleaners labeled "Washer safe".

## Storing your washer

---

Washers can be damaged if water is not removed from hoses and internal components before storage.

Prepare your washer for storage as follows:

1. Select the Quick Wash cycle and add bleach to the bleach compartment. Run your washer through the cycle without a load.
2. Turn the water faucets off and disconnect the inlet hoses.
3. Unplug your washer from the electrical outlet and leave your washer lid open to let air circulate inside the drum.  
If your washer has been stored in below-freezing temperatures, allow time for any leftover water in your washer to thaw out before use.

---

## Preserving the top cover and the front frame

---

Do not place any heavy or sharp objects or a detergent box on the washer. They can scratch or damage the top cover of the unit.

 **NOTE**

Since the entire washer has a high-gloss finish, the surface can be scratched or damaged.

Avoid scratching or damaging the surface when using the washer.

## Cleaning the softener compartment

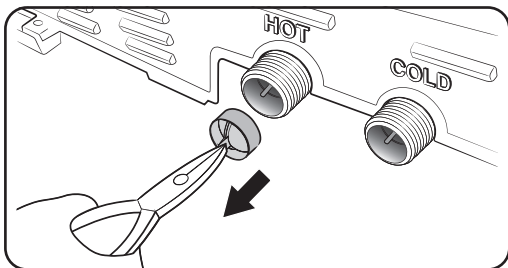
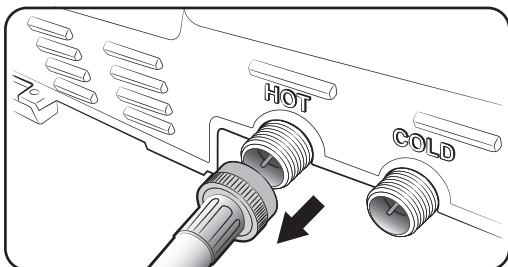
---

1. Pour warm water of 1 US gallon (3.85 liters) into the softener compartment.
2. Wipe the top of the softener compartment with a soft cloth.

# Maintaining your washer

## Cleaning mesh filter

Clean the mesh filter of the water hose once or twice a year.



1. Turn off the washer, and then unplug the power cord.
2. Close the faucet.
3. Loosen and disconnect the water hose from the back of the washer. Cover the hose with a cloth to prevent water from gushing out.
4. Use pliers to pull out the mesh filter from the inlet valve.
5. Submerge the mesh filter deeply in water so that the threaded connector is also submerged.
6. Dry the mesh filter completely in a shaded area.
7. Reinsert the mesh filter into the inlet valve, and reconnect the water hose to the inlet valve.
8. Open the faucet.

### NOTE

If the mesh filter is clogged, the “Cool” LED flashes on the washer’s display screen.

---

## Self Clean

---

Certain usage and environmental conditions may result in some residue build-up or odor in the washer tub. To prevent this build-up or odor and keep your washer tub fresh and clean, perform the SELF CLEAN cycle at least once a month or every 20 cycles. Perform the recommended procedure below when using the SELF CLEAN cycle.

1. Remove all items from the washer tub and ensure the tub is empty. Laundry left in the tub during the SELF CLEAN cycle may be damaged.
2. Press **POWER**.
3. Turn the **Cycle Selector** to **SELF CLEAN**.
4. Press **START/PAUSE**. SELF CLEAN begins.

### NOTE

- The water temperature for SELF CLEAN is defaulted to Hot. This temperature cannot be changed.
- In the case where residue is present in the washer tub, add 1 cup (8 fl.oz, 240 ml) of liquid chlorine bleach to the bleach compartment before you start the SELF CLEAN cycle. Do not use or mix any other detergent or chemicals during the SELF CLEAN cycle.
- If necessary, run a RINSE+SPIN Cycle after the SELF CLEAN cycle has completed to help remove any remaining residue.

### CAUTION

- Check the washer tub before using the SELF CLEAN cycle. Remove any remaining water in the tub by running a Spin Only cycle prior to starting the SELF CLEAN cycle.
- If there is chlorine bleach left in the washer tub for an extended period of time, rust can occur.

### SELF CLEAN reminder

- After 20 washing cycles, the SELF CLEAN LED reminder icon and the SELF CLEAN cycle LED will blink on the control panel for an hour and then turn off automatically.
- The reminder will appear on the control panel for 5 additional consecutive cycles before turning off. The next reminder will not appear until another 20 cycles have been completed.

# Troubleshooting

## Checkpoints

If you encounter a problem with the washer, first check the table below and try the suggestions.

Problem	Action
Does not turn on.	<ul style="list-style-type: none"><li>• Make sure you use rated power for the product.</li><li>• Make sure the power cord is completely plugged in.</li><li>• Check the fuse or reset the circuit breaker.</li></ul>
Does not start.	<ul style="list-style-type: none"><li>• Make sure the door is closed.</li><li>• Make sure the water taps are open.</li><li>• Make sure to press or tap <b>START/PAUSE</b> to start the washing machine.</li><li>• Make sure Child Lock is not activated.</li><li>• Before the washing machine starts to fill, it will make a series of clicking noises to check the door lock and does a quick drain.</li><li>• Was the door opened during the spinning cycle? Close the door, and press or tap <b>START/PAUSE</b> to resume.</li><li>• The machine enters Standby or is in a soaking cycle. Please wait.</li><li>• Check the fuse or reset the circuit breaker</li></ul>
Water is not supplied.	<ul style="list-style-type: none"><li>• Make sure you press or tap <b>START/PAUSE</b> after selecting the water supply.</li><li>• Make sure the water taps are open.</li><li>• Is the filter net at the water supply hose connector clogged? Clean the filter net by brushing with a toothbrush.</li><li>• Is the water supply cut off? If the water supply is cut off, close the tap and power off.</li><li>• Straighten the water supply hoses.</li><li>• Open and close the door, then press or tap <b>START/PAUSE</b>.</li><li>• If the water pressure is low, it takes longer to start washing.</li><li>• If the water level is not as high as necessary or lower than expected, use the level selector to adjust the water level.</li></ul>

Problem	Action
Vibrates excessively or makes noise.	<ul style="list-style-type: none"> <li>• Make sure the washing machine is set on a level floor. If the floor is not level, use the levelling feet to adjust the washing machine.</li> <li>• Make sure the washing machine is not contacting any other object.</li> <li>• Make sure the laundry load is balanced.</li> <li>• Make sure the laundry is spread evenly in the washing machine. Spread out the laundry evenly and start again.</li> <li>• Make sure the space around the washing machine is free of objects.</li> <li>• Humming is produced normally during operation.</li> <li>• Objects such as coins can cause noise. Remove these objects from the washing machine after washing is complete.</li> </ul>
Stops.	<ul style="list-style-type: none"> <li>• Plug the power cord into a live electrical outlet.</li> <li>• Check the fuse or reset the circuit breaker.</li> <li>• Close the door, and press or tap <b>START/PAUSE</b> to start the washing machine. For your safety, the washing machine will not spin unless the door is closed.</li> <li>• Before the washing machine starts to fill, it will make a series of clicking noises to check the door lock and does a quick drain.</li> <li>• There may be a pause or soak period in the cycle. Wait briefly and the washing machine may start.</li> <li>• Make sure the inlet hose screens at the taps are not clogged. Periodically clean the screens.</li> <li>• This problem occurs temporarily due to low voltages, and will be solved when power recovers.</li> </ul>

# Troubleshooting

Problem	Action
Fills with the wrong temperature water.	<ul style="list-style-type: none"> <li>• Fully open both water taps.</li> <li>• Make sure the temperature selection is correct.</li> <li>• Make sure the hoses are connected to the correct water taps. Flush water lines.</li> <li>• Disconnect the hoses and clean the screens. The hose filter screens may be clogged.</li> <li>• While the washing machine fills, the water temperature may change as the automatic temperature control feature checks incoming water temperature. This is normal.</li> <li>• While the washing machine fills, you may notice just hot and/or just cold water going through the dispenser when cold or warm temperatures are selected. This is a normal function of the automatic temperature control feature as the washing machine determines the water temperature.</li> </ul>
Door (Lid) locked or will not open.	<ul style="list-style-type: none"> <li>• While the washing machine is operating, press or tap <b>START/PAUSE</b> to stop the washing machine.</li> <li>• It may take a few moments for the door lock mechanism to disengage.</li> </ul>
Does not drain and/or spin.	<ul style="list-style-type: none"> <li>• Check the fuse or reset the circuit breaker.</li> <li>• Make sure the electrical voltage is normal.</li> <li>• Make sure the washing machine is plugged in.</li> <li>• Make sure the drain hose is pointed downward. (Natural drain models only)</li> <li>• Make sure the drain hose is not clogged.</li> <li>• Make sure the drain hose is not kinked.</li> <li>• Straighten the drain hose. If there is a drain restriction, call for service.</li> <li>• Close the door, and press or tap <b>START/PAUSE</b>. For your safety, the washing machine will not spin unless the door is closed.</li> </ul>
Load is wet at the end of the cycle.	<ul style="list-style-type: none"> <li>• Use the High or Extra High spin speed. (Applicable model only)</li> <li>• Use high efficiency (HE) detergent to reduce oversudsing.</li> <li>• Load is too small. Small loads (one or two items) may become unbalanced and not spin completely.</li> </ul>

Problem	Action
Leaks water.	<ul style="list-style-type: none"> <li>• Make sure all hose connections are tight.</li> <li>• Make sure the water supply hose's rubber packing is in the correct position. Screw tightly again.</li> <li>• Make sure the end of the drain hose is correctly inserted and secured to the drain system.</li> <li>• Avoid overloading.</li> <li>• Use high efficiency (HE) detergent to prevent oversudsing.</li> <li>• Make sure the water supply hose is not kinked.</li> <li>• If the water supply is too strong, water may leak. Close the water tap a little.</li> <li>• Make sure water is not leaking from the water tap. If so, repair the water tap.</li> </ul>
Excessive suds.	<ul style="list-style-type: none"> <li>• Use high efficiency (HE) detergent to prevent oversudsing.</li> <li>• Reduce the detergent amount for soft water, small loads, or lightly soiled loads.</li> <li>• Non-HE detergent is not recommended.</li> </ul>
The spin basket or drain/supply hose is frozen.	<ul style="list-style-type: none"> <li>• Use warm water to disconnect the water supply hose and drain hose. Soak them in warm water.</li> <li>• Fill the spin basket with warm water, and then wait for about 10 minutes.</li> <li>• Put a hot towel on the drain hose connector.</li> <li>• Reconnect the water supply hose and drain hose, and check if water is supplied properly.</li> </ul>
Water drains out immediately.	<ul style="list-style-type: none"> <li>• Make sure the drain hose is not clogged, and is hung over the drain hose hook. Fill the spin basket halfway with water, and try spinning again.</li> <li>• Lift the end of the drain hose to prevent water from draining. Fill the spin basket halfway with water, and then run spinning after releasing the drain hose.</li> <li>• Make sure the drain hose is installed correctly. See the installation section of this user manual and adjust the position of the drain hose as instructed.</li> </ul>

# Troubleshooting

---

Problem	Action
Stains on clothes.	<ul style="list-style-type: none"><li>• Select an appropriate cycle for the laundry. Use the Heavy Duty cycle for stained clothes.</li><li>• Apply a recommended amount of detergent as instructed by the detergent manufacturer.</li><li>• Clean the magic filter (if it comes with your washer) on a regular basis.</li></ul>
Has odours.	<ul style="list-style-type: none"><li>• Excessive suds collect in recesses and can cause foul odours.</li><li>• Run cleansing cycles to sanitize periodically.</li><li>• Dry the washing machine interior after a cycle has finished.</li></ul>



If a problem persists, contact a local Samsung service center.

---


## Information codes

---

The washer may display information codes to help you understand what is occurring with your washer better.

Code	Meaning
Hot LED Flashes	Lid is open when washer is running. <ul style="list-style-type: none"><li>• Close the lid tightly and restart the cycle.</li><li>• If the information code remains, contact a customer service center.</li></ul>
Warm LED Flashes	Communication error between SUB PBA and MAIN PBA. <ul style="list-style-type: none"><li>• If the information code remains, contact a customer service center.</li></ul>
Eco Warm LED Flashes	A button is not working properly. <ul style="list-style-type: none"><li>• If the information code remains, contact a customer service center.</li></ul>
Cool LED Flashes	The Water Level sensor is not working properly.  <b>NOTE</b> When the Cool LED is flashing, the washer drains for 3 minutes. During this time, the <b>POWER</b> button is inoperative. <ul style="list-style-type: none"><li>• If the information code remains, contact a customer service center.</li></ul>
Extra High LED Flashes	Your Washer has tried to fill but was unsuccessful.  <b>NOTE</b> When the Extra High LED is flashing, the washer drains for 3 minutes. During this time, the <b>POWER</b> button is inoperative. <ul style="list-style-type: none"><li>• Make sure the water faucets are open all the way. Check for kinked hoses.</li><li>• Check the inlet screens on the fill hoses.</li><li>• If you use a Flood Safety Device, remove the device and connect the water hoses directly to the unit.</li></ul> Check if the hot water supply hose is connected. <ul style="list-style-type: none"><li>• You must connect the hot water supply hose because hot water is supplied by the Auto Temperature Control (A.T.C.) function.</li></ul>

# Troubleshooting

Code	Meaning
High LED Flashes	<p>Your Washer has tried to fill but has not reached the proper water level.</p> <p> <b>NOTE</b></p> <p>When the High LED is flashing, the washer drains for 3 minutes. During this time, the <b>POWER</b> button is inoperative.</p> <ul style="list-style-type: none"> <li>If the information code remains, contact a customer service center.</li> </ul>
Mid LED Flashes	<p>A fault is detected in the water level sensor.</p> <p>If the information code remains, contact a customer service center.</p>
Low LED Flashes	<p>Your washer is not draining. It can also mean that the unit senses a small clog while draining.</p> <ul style="list-style-type: none"> <li>Do the following: <ol style="list-style-type: none"> <li>Turn off the unit and turn it on again.</li> <li>Select only the Spin Only.</li> <li>Press the <b>START/PAUSE</b> to drain the water. If it still does not drain, contact a customer service center.</li> </ol> </li> </ul>
Hot & Warm LEDs flash	<p>Unbalanced load prevented your Washer from spinning.</p> <ul style="list-style-type: none"> <li>Redistribute the load, and then press the <b>START/PAUSE</b> button.</li> </ul>
Hot & Cool LEDs flash	<p>Motor not running properly.</p> <ul style="list-style-type: none"> <li>Restart the cycle by pressing the <b>START/PAUSE</b> button.</li> <li>If the information code remains, contact a customer service center.</li> </ul>
Hot & Cool LEDs flash	<p>Mems sensor is not working properly.</p> <ul style="list-style-type: none"> <li>If the information code remains, contact a customer service center.</li> </ul>
Hot & Extra High LEDs flash	<p>Door lock is not working properly.</p> <ul style="list-style-type: none"> <li>Close the lid tightly and restart the cycle.</li> <li>If the information code remains, contact a customer service center.</li> </ul>

---

Code	Meaning
Hot & High LEDs flash	Door lock is not working properly. <ul style="list-style-type: none"> <li>• Close the lid tightly and restart the cycle.</li> <li>• If the information code remains, contact a customer service center.</li> </ul>
Hot & Mid LEDs flash	Thermistor is not working properly. <ul style="list-style-type: none"> <li>• If the information code remains, contact a customer service center.</li> </ul>
Hot & Low LEDs flash	The temperature of the supplied water is so high. <ul style="list-style-type: none"> <li>• Ensure that the cold water tap and the hot water tap are connected correctly.</li> <li>• If the information code remains, contact a customer service center.</li> </ul>





For any codes not listed above, call 1-800-726-7864 (1-800-SAMSUNG).

# Specifications

## Fabric care chart

The following symbols provide garment care direction. The clothing care labels include symbols for drying, bleaching, drying and ironing, or dry cleaning when necessary. The use of symbols ensures consistency among garment manufacturers of domestic and imported items. Follow care label directions to optimize garment life and reduce laundering problems.

### Wash cycle

	Normal
	Permanent press/Wrinkle resistant/Wrinkle control
	Gentle/Delicates
	Hand wash

### Water temperature




...	Hot
..	Warm
.	Cold

### NOTE



This represents appropriate wash water temperatures for various items. The temperature range for Hot is 105° - 125 °F / 41° - 52 °C, for Warm 85° - 105 °F / 29° - 41 °C and for Cold 60° - 85 °F / 16° - 29 °C. (Wash water temperature must be a minimum of 60 °F / 16 °C for detergent activation and effective cleaning.)

The clothes washer can not ensure these temperatures because the actual temperature of the water entering your washer depends on water heater settings and regional water supply temperatures. For example, cold water entering the home in the northern states during winter may be 40 °F / 4 °C which is too cold for effective cleaning. In this situation, you will need to adjust the water temperature by selecting a warm setting, adding some hot water to the MAX FILL line, or using your Washer's heating option, if available.




### Bleach

	Any bleach (when needed)
	Only non-chlorine (color-safe) bleach (when needed)
	Tumble dry

### Normal






	Permanent press/Wrinkle resistant/Wrinkle control
	Gentle/Delicates

### Special instructions






	Line dry/Hang to dry
	Drip dry
	Dry flat

---




### Heat setting

	High
	Medium
	Low
	Any heat
	No heat / Air







### Dry-clean

	Dry-clean
	Do not dry-clean
	Line dry / Hang to dry
	Drip dry
	Dry flat

### Iron dry or steam temperatures

	High
	Medium
	Low

### Warning symbols for laundering

	Do not wash
	Do not wring
	Do not bleach
	Do not tumble dry
	No steam (added to iron)
	Do not iron

# Specifications

---

## Helping the environment

---

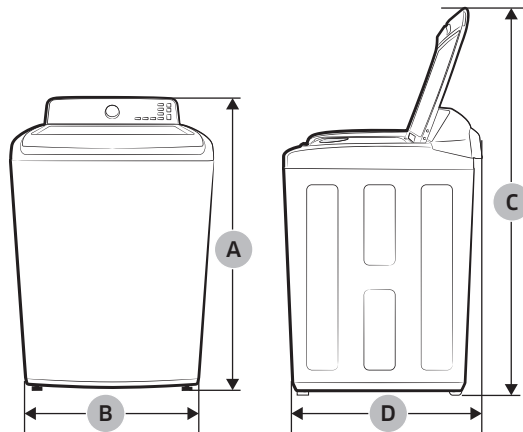
- Your washer is manufactured from recyclable materials. If you decide to dispose of it, please observe local waste disposal regulations. Cut off the power cord so that the appliance cannot be connected to a power source. Remove the lid so that animals and small children cannot get trapped inside the appliance.
- Do not exceed the detergent quantities recommended in the detergent manufacturers' instructions.
- Use stain removal products and bleaches before the wash cycle only when necessary.
- Save water and electricity by only washing full loads (the exact amount depends upon the program used).

## Declaration of conformity

---

This appliance complies with UL2157.

## Specification sheet



Type		Top loading washer	
Model name		WA41A3***A*	WA40A3***A*
Capacity (Cu.ft)		4.1	4.0
Dimensions (inches (cm))	A. Height	43.9 (111.7)	
	B. Width	27.0 (68.6)	
	C. Height with lid open	59.3 (150.5)	
	D. Depth	29.3 (74.4)	
Water pressure (psi (kPa))		20 - 116 (137 - 800)	
NET weight (kg (lb))		57.0 (125.7)	
Spin revolution		700 rpm	
Heater rating	Washing	120 V	700 W
	Spin		400 W
	Drain		80 W

### NOTE

You can fill the tub with dry, unfolded clothes, but **DO NOT OVERLOAD** the tub.

# Specifications

## Cycle chart

Use this chart to set the best cycle and options for you laundry.

### NOTE

Setting	Temp.	Water Level
●: factory setting	H: Hot	EH: Extra High
●: can be selected	W: Warm	H: High
	EW: Eco Warm	M: Mid
	C: Cool	L: Low
	CD: Cold	AL: Auto Level

Cycle	Functions										Option		
	Temp.					Water Level					Extra Rinse	Spin Only	
	H	W	EW	C	CD	EH	H	M	L	AL			
NORMAL	●	●	●	●	●	●	●	●	●	●	●	●	●
HEAVY DUTY	●	●	●	●	●	●	●	●	●	●	●	●	●
DEEP WASH	●	●	●	●	●	●	●	●			●	●	●
BEDDING / WATERPROOF	●	●	●	●	●	●	●	●	●		●	●	●
QUICK WASH	●	●	●	●	●	●	●	●	●		●	●	●
DELICATES		●	●	●	●	●	●	●	●		●	●	●
RINSE + SPIN						●	●	●	●		●	●	●
SELF CLEAN	●						●						

# LIMITED WARRANTY (U.S.A.)

---

## SAMSUNG WASHER

---

### LIMITED WARRANTY TO ORIGINAL CONSUMER PURCHASER WITH PROOF OF PURCHASE AND/OR PROOF OF DELIVERY

This SAMSUNG brand product, as supplied and distributed by SAMSUNG ELECTRONICS AMERICA, INC. (SAMSUNG) and delivered new, in the original carton to the original consumer purchaser, is warranted by SAMSUNG against manufacturing defects in materials or workmanship for the following limited warranty periods, starting on the date of delivery to the original consumer purchaser:

Parts and labor : One (1) year

Stainless tub part (Part Only) : Three (3) years

Washing motor follow motor type

- Washing DIT (Digital Inverter Motor) motor part (Part Only):
  - Twenty (20) years
- Washing AC motor part (Part Only):
  - Five (5) years

This limited warranty is valid only on products purchased and used in the United States that have been installed, operated, and maintained according to the instructions attached to or furnished with the product. To receive warranty service, the purchaser must contact SAMSUNG at the address or phone number provided below for problem determination and service procedures. Warranty service can only be performed by a SAMSUNG authorized service center. The original dated bill of sale and/or proof of delivery must be presented upon request to SAMSUNG or SAMSUNG's authorized service center to receive warranty service.

SAMSUNG will provide in-home service within the contiguous United States during the warranty period at no charge, subject to availability of SAMSUNG authorized servicers within the customer's geographic area. If in-home service is not available, SAMSUNG may elect, at its option, to provide transportation of the product to and from an authorized service center. If the product is located in an area where service by a SAMSUNG authorized servicer is not available, you may be responsible for a trip charge or required to bring the product to a SAMSUNG authorized service center for service.

To receive in-home service, product must be unobstructed and accessible to the service agent.

# LIMITED WARRANTY (U.S.A.)

---

During the applicable warranty period, a product will be repaired, replaced, or the purchase price refunded, at the sole option of SAMSUNG. SAMSUNG may use new or reconditioned parts in repairing a product, or replace the product with a new or reconditioned product. SAMSUNG may also replace any part covered by this warranty with a new or reconditioned part. Replacement parts and products are warranted for the remaining portion of the original product's warranty or ninety (90) days, whichever is longer. All replaced parts and products are the property of SAMSUNG and you must return them to SAMSUNG.

This limited warranty covers manufacturing defects in materials or workmanship encountered in normal household, noncommercial use of this product and shall not cover the following: damage that occurs in shipment, delivery, installation, and uses for which this product was not intended; damage caused by unauthorized modification or alteration of the product; product where the original factory serial numbers have been removed, defaced, changed in any way, or cannot be readily determined; cosmetic damage including scratches, dents, chips, and other damage to the product's finishes; damage caused by abuse, misuse, pest infestations, accident, fire, floods, or other acts of nature or God; damage caused by use of equipment, utilities, services, parts, supplies, accessories, applications, installations, repairs, external wiring or connectors not supplied or authorized by SAMSUNG; damage caused by incorrect electrical line current, voltage, fluctuations and surges; damage caused by failure to operate and maintain the product according to instructions; in-home instruction on how to use your product; and service to correct installation not in accordance with electrical or plumbing codes or correction of household electrical or plumbing (i.e., house wiring, fuses, or water inlet hoses). The cost of repair or replacement under these excluded circumstances shall be the customer's responsibility.

Visits by an authorized servicer to explain product functions, maintenance or installation are not covered by this limited warranty. Please contact SAMSUNG at the number below for assistance with any of these issues.

## **EXCLUSION OF IMPLIED WARRANTIES**

IMPLIED WARRANTIES, INCLUDING THE IMPLIED WARRANTIES OF MERCHANTABILITY OR FITNESS FOR A PARTICULAR PURPOSE, ARE LIMITED TO ONE YEAR OR THE SHORTEST PERIOD ALLOWED BY LAW. Some states do not allow limitations on how long an implied warranty lasts, so the above limitations or exclusions may not apply to you. This warranty gives you specific rights, and you may also have other rights, which vary from state to state.

---

## LIMITATION OF REMEDIES

YOUR SOLE AND EXCLUSIVE REMEDY IS PRODUCT REPAIR, PRODUCT REPLACEMENT, OR REFUND OF THE PURCHASE PRICE AT SAMSUNG'S OPTION, AS PROVIDED IN THIS LIMITED WARRANTY. SAMSUNG SHALL NOT BE LIABLE FOR SPECIAL, INCIDENTAL OR CONSEQUENTIAL DAMAGES, INCLUDING BUT NOT LIMITED TO TIME AWAY FROM WORK, HOTELS AND/OR RESTAURANT MEALS, REMODELING EXPENSES, LOSS OF REVENUE OR PROFITS, FAILURE TO REALIZE SAVINGS OR OTHER BENEFITS REGARDLESS OF THE LEGAL THEORY ON WHICH THE CLAIM IS BASED, AND EVEN IF SAMSUNG HAS BEEN ADVISED OF THE POSSIBILITY OF SUCH DAMAGES. Some states do not allow exclusion or limitation of incidental or consequential damages, so the above limitations or exclusions may not apply to you. This warranty gives you specific rights, and you may also have other rights, which vary from state to state.

SAMSUNG does not warrant uninterrupted or error-free operation of the product. No warranty or guarantee given by any other person, firm, or corporation with respect to this product shall be binding on SAMSUNG.

To obtain warranty service, please contact SAMSUNG at:

**Samsung Electronics America, Inc.**

85 Challenger Road

Ridgefield Park, NJ 07660

1-800-SAMSUNG (726-7864)

[www.samsung.com/us/support](http://www.samsung.com/us/support)

# Warranty (CANADA)

---

## SAMSUNG WASHER

---

### LIMITED WARRANTY TO ORIGINAL PURCHASER

This SAMSUNG brand product, as supplied and distributed by SAMSUNG ELECTRONICS CANADA, INC. (SAMSUNG) and delivered new, in the original carton to the original consumer purchaser, is warranted by SAMSUNG against manufacturing defects in materials and workmanship for a limited warranty period of:

Parts and labor : One (1) year

Washing motor follow motor type

- Washing DIT (Digital Inverter Motor) motor part (Part Only):
  - Twenty (20) years
- Washing AC motor (Part Only):
  - Five (5) years

This limited warranty begins on the original date of purchase, and is valid only on products purchased and used in the Canada. To receive warranty service, the purchaser must contact SAMSUNG for problem determination and service procedures. Warranty service can only be performed by a SAMSUNG authorized service center. The original dated bill of sale must be presented upon request as proof of purchase to SAMSUNG or SAMSUNG's authorized service center. SAMSUNG will provide in-home service during the warranty period at no charge, subject to availability within the Canada. In-home service is not available in all areas.

To receive in-home service, product must be unobstructed and accessible to the service agent. If service is not available, SAMSUNG may elect to provide transportation of the product to and from an authorized service center.

---

SAMSUNG will repair, replace, or refund this product at our option and at no charge as stipulated herein, with new or reconditioned parts or products if found to be defective during the limited warranty period specified above. All replaced parts and products become the property of SAMSUNG and must be returned to SAMSUNG. Replacement parts and products assume the remaining original warranty, or ninety (90) days, whichever is longer. This limited warranty covers manufacturing defects in materials and workmanship encountered in normal, noncommercial use of this product and shall not apply to the following: damage that occurs in shipment; delivery and installation; applications and uses for which this product was not intended; altered product or serial numbers; cosmetic damage or exterior finish; accidents, abuse, neglect, fire, water, lightning, or other acts of nature or God; use of products, equipment, systems, utilities, services, parts, supplies, accessories, applications, installations, repairs, external wiring or connectors not supplied or authorized by SAMSUNG that damage this product or result in service problems; incorrect electrical line voltage, fluctuations and surges; customer adjustments and failure to follow operating instructions, maintenance and environmental instructions that are covered and prescribed in the instruction book; product removal and reinstallation; problems caused by pest infestations.

This limited warranty does not cover problems resulting from incorrect electric current, voltage or supply, light bulbs, house fuses, house wiring, cost of a service call for instructions, or fixing installation errors. SAMSUNG does not warrant uninterrupted or error-free operation of the product.

EXCEPT AS SET FORTH HEREIN, THERE ARE NO WARRANTIES ON THIS PRODUCT EITHER EXPRESS OR IMPLIED, AND SAMSUNG DISCLAIMS ALL WARRANTIES INCLUDING, BUT NOT LIMITED TO, ANY IMPLIED WARRANTIES OF MERCHANTABILITY, INFRINGEMENT OR FITNESS FOR A PARTICULAR PURPOSE.

NO WARRANTY OR GUARANTEE GIVEN BY ANY PERSON, FIRM, OR CORPORATION WITH RESPECT TO THIS PRODUCT SHALL BE BINDING ON SAMSUNG. SAMSUNG SHALL NOT BE LIABLE FOR LOSS OF REVENUE OR PROFITS, FAILURE TO REALIZE SAVINGS OR OTHER BENEFITS, OR ANY OTHER SPECIAL, INCIDENTAL OR CONSEQUENTIAL DAMAGES CAUSED BY THE USE, MISUSE, OR INABILITY TO USE THIS PRODUCT, REGARDLESS OF THE LEGAL THEORY ON WHICH THE CLAIM IS BASED, AND EVEN IF SAMSUNG HAS BEEN ADVISED OF THE POSSIBILITY OF SUCH DAMAGES.

# Warranty (CANADA)

---

NOR SHALL RECOVERY OF ANY KIND AGAINST SAMSUNG BE GREATER IN AMOUNT THAN THE PURCHASE PRICE OF THE PRODUCT SOLD BY SAMSUNG AND CAUSING THE ALLEGED DAMAGE. WITHOUT LIMITING THE FOREGOING, PURCHASER ASSUMES ALL RISK AND LIABILITY FOR LOSS, DAMAGE, OR INJURY TO PURCHASER AND PURCHASER'S PROPERTY AND TO OTHERS AND THEIR PROPERTY ARISING OUT OF THE USE, MISUSE, OR INABILITY TO USE THIS PRODUCT. THIS LIMITED WARRANTY SHALL NOT EXTEND TO ANYONE OTHER THAN THE ORIGINAL PURCHASER OF THIS PRODUCT, IS NONTRANSFERABLE AND STATES YOUR EXCLUSIVE REMEDY.

Some provinces do not allow limitations on how long an implied warranty lasts, or the exclusion or limitation of incidental or consequential damages, so the above limitations or exclusions may not apply to you. This warranty gives you specific rights, and you may also have other rights, which vary from province to province.

To obtain warranty service, please contact SAMSUNG at:

**Samsung Electronics Canada Inc.**

**2050 Derry Road West**

**Mississauga, Ontario L5N 0B9 Canada**

**1-800-SAMSUNG (726-7864)**

**[www.samsung.com/ca/support](http://www.samsung.com/ca/support) (English)**

**[www.samsung.com/ca\\_fr/support](http://www.samsung.com/ca_fr/support) (French)**

Visits by a Service Engineer to explain functions, maintenance or installation is not covered by warranty.

Please contact your Samsung call agent for help with any of these issues.

# Memo

---



Scan the QR code\* or visit  
[www.samsung.com/spsn](http://www.samsung.com/spsn)  
to view our helpful  
How-to Videos and Live Shows

\*Requires reader to be installed on your smartphone

Scan this with your smartphone

## QUESTIONS OR COMMENTS?

COUNTRY	CALL	OR VISIT US ONLINE AT
U.S.A	1-800-SAMSUNG (726-7864)	<a href="http://www.samsung.com/us/support">www.samsung.com/us/support</a>
CANADA	1-800-SAMSUNG(726-7864)	<a href="http://www.samsung.com/ca/support">www.samsung.com/ca/support</a> (English) <a href="http://www.samsung.com/ca_fr/support">www.samsung.com/ca_fr/support</a> (French)



DC68-03850F-05

# Lave-linge

# Manuel d'utilisation

---

WA40A3\*\*\*A\* / WA41A3\*\*\*A\*

---

**SAMSUNG**

# Sommaire

---

## Consignes de sécurité **4**

---

Remarques importantes sur les consignes de sécurité	4
Symboles de sécurité importants	4
AVERTISSEMENT CONCERNANT LA PROPOSITION 65 DE CALIFORNIE	5
CONSIGNES DE SÉCURITÉ IMPORTANTES	5

## Installation **13**

---

Déballage de votre lave-linge	13
Présentation de votre lave-linge	14
Exigences de base relatives à l'installation	16
Remarque importante à l'intention de l'installateur	20
Installation étape par étape	21

## Mode d'emploi **28**

---

Chargement du lave-linge	28
Mise en marche	30

## Effectuer un lavage **31**

---

Panneau de commande	31
Présentation des cycles	32
Options	33
Laver du linge à l'aide du sélecteur de programme	35
ATC (Contrôle automatique de la température)	36
Utilisation de la lessive	36
Fonctions	37

---

<b>Entretien de votre lave-linge</b>	<b>40</b>
Nettoyer l'extérieur	40
Nettoyer l'intérieur	40
Entreposage de votre lave-linge	40
Protection du capot supérieur et du panneau avant	41
Nettoyage du compartiment d'adoucissant	41
Nettoyer le filtre à maille	42
Auto-nettoyage	43
<b>Dépannage</b>	<b>44</b>
Contrôles	44
Codes d'erreur	49
<b>Caractéristiques techniques</b>	<b>52</b>
Tableau des symboles textiles	52
Respect de l'environnement	54
Déclaration de conformité	54
Fiche de caractéristiques techniques	55
Tableau des cycles	56

# Consignes de sécurité

---

Félicitations pour l'achat de votre nouveau lave-linge Samsung. Ce manuel contient de précieuses informations concernant l'installation, l'utilisation et l'entretien de votre appareil. Prenez le temps de le lire afin de tirer pleinement profit de tous les avantages et les fonctionnalités qu'offre votre lave-linge.

## Remarques importantes sur les consignes de sécurité

---

Veuillez lire attentivement ce manuel afin d'utiliser cet appareil en toute sécurité et de profiter pleinement de toutes ses fonctionnalités. Conservez ce manuel dans un endroit sûr situé à proximité de l'appareil afin de pouvoir facilement vous y reporter en cas de besoin. N'utilisez pas cet appareil autrement que pour l'usage auquel il est destiné, conformément aux consignes du manuel.

Les consignes de sécurité et les avertissements décrits dans ce manuel ne sont pas exhaustifs. Il est de votre responsabilité de faire preuve de bon sens, de prudence et de discernement lors de l'installation, de l'entretien ou de l'utilisation de votre lave-linge.

Ces consignes d'utilisation couvrant plusieurs modèles, il se peut que les caractéristiques de votre lave-linge diffèrent légèrement de celles décrites dans ce manuel ; ainsi, certaines icônes d'avertissement peuvent ne pas s'appliquer à votre lave-linge. Pour toute question ou doute, contactez votre centre de service le plus proche ou connectez-vous sur [www.samsung.com](http://www.samsung.com).

## Symboles de sécurité importants

---

Signification des icônes et signes repris dans ce manuel d'utilisation :

### **AVERTISSEMENT**

Risques ou pratiques inadaptées susceptibles de causer des blessures graves, la mort et/ou des dommages matériels.

### **ATTENTION**

Risques ou pratiques inadaptées susceptibles de causer des blessures et/ou des dommages matériels.

### **REMARQUE**

Indique la présence d'un risque de blessures ou de dommages matériels

# CONSERVEZ SOIGNEUSEMENT CES CONSIGNES



---

Ces symboles d'avertissement ont pour but d'éviter tout risque de blessure corporelle.  
Respectez-les en toutes circonstances.  
Lisez attentivement ce manuel et conservez-le en lieu sûr afin de pouvoir le consulter ultérieurement.  
Lisez attentivement toutes les consignes avant d'utiliser l'appareil.

Comme avec tout équipement électrique ou comportant des parties mobiles, il existe un certain nombre de dangers potentiels. Pour utiliser cet appareil en toute sécurité, familiarisez-vous avec son fonctionnement et restez prudent lorsque vous l'employez.

## **AVERTISSEMENT CONCERNANT LA PROPOSITION 65 DE CALIFORNIE**

---

### **⚠ AVERTISSEMENT**

Cancer et Troubles de l'appareil reproducteur - [www.P65Warnings.ca.gov](http://www.P65Warnings.ca.gov).

## **CONSIGNES DE SÉCURITÉ IMPORTANTES**

---

### **⚠ AVERTISSEMENT**

Afin de réduire les risques d'incendie, d'électrocution ou de blessures physiques lors de l'utilisation de l'appareil, des précautions de base doivent être prises :

1. Lisez toutes les consignes de sécurité avant d'utiliser l'appareil.
2. Ne lavez et ne faites sécher aucun article ayant été en contact de quelque manière que ce soit (nettoyage, lavage, trempage ou tache) avec de l'essence, des solvants de nettoyage à sec ou toute autre substance inflammable ou explosive. Ces substances dégagent en effet des vapeurs qui risquent de s'enflammer ou d'exploser.
3. Ne laissez pas les enfants jouer sur ou dans l'appareil. Une surveillance attentive s'impose lorsque l'appareil est utilisé à proximité d'enfants.
4. Avant la mise hors service ou au rebut de l'appareil, retirez le couvercle du compartiment de lavage ou de séchage.
5. Ne tentez pas d'ouvrir l'appareil lorsque le tambour est en mouvement.
6. N'installez et n'entrez jamais cet appareil dans un endroit exposé aux intempéries.
7. N'utilisez pas les commandes de l'appareil inutilement.

## **CONSERVEZ SOIGNEUSEMENT CES CONSIGNES**



# Consignes de sécurité

---

8. Ne procédez pas à la réparation ou au remplacement des pièces de l'appareil et ne tentez pas non plus de le réparer vous-même, sauf si le manuel d'entretien ou de réparation contient des recommandations spécifiques en la matière que vous comprenez et êtes en mesure d'exécuter.
9. N'ajoutez jamais d'essence, de solvant de nettoyage à sec ou d'autres substances inflammables ou explosives dans l'eau du lave-linge. Ces substances dégagent en effet des vapeurs qui risquent de s'enflammer ou d'exploser.
10. Dans certaines conditions, de l'hydrogène peut être dégagé dans les systèmes d'eau chaude qui n'ont pas été utilisés depuis au moins 2 semaines. L'HYDROGÈNE EST UN GAZ EXPLOSIF. Si votre réseau d'eau chaude n'a pas été utilisé pendant au moins 2 semaines, ouvrez tous les robinets d'eau chaude de votre maison et laissez l'eau couler plusieurs minutes avant d'utiliser votre lave-linge ou votre lave-linge/sèche linge combiné. Cela permettra d'éliminer l'éventuelle accumulation d'hydrogène. L'hydrogène étant un gaz inflammable ; ne fumez pas et ne créez aucune flamme ni étincelle pendant cette opération.

## Avertissements importants concernant l'installation

---

### **AVERTISSEMENT**

Branchez le cordon d'alimentation sur une prise murale de 120 V CA / 60 Hz de 15 A minimum. Ne branchez que cet appareil sur cette prise. N'utilisez pas de rallonge.

- Le fait de partager une prise murale avec d'autres appareils à l'aide d'une multiprise ou d'une rallonge peut entraîner des chocs électriques ou des incendies.
- N'utilisez pas de transformateur électrique. Il pourrait entraîner un incendie ou un choc électrique.
- Assurez-vous que la tension, la fréquence et le courant sont conformes aux spécifications de l'appareil. Le non-respect de cette consigne peut entraîner des chocs électriques ou des incendies.

Cet appareil doit être installé par un technicien qualifié ou un centre de réparation agréé.

- Le non-respect de cette consigne peut entraîner des chocs électriques, des incendies, une explosion, des problèmes avec le produit ou des blessures.

Éliminez régulièrement toute eau, poussière ou corps étranger des prises murales et zones de contact à l'aide d'un chiffon sec.

- Débranchez le cordon d'alimentation et nettoyez-le à l'aide d'un chiffon sec.
- Le non-respect de cette consigne peut entraîner des chocs électriques ou des incendies.

Branchez le cordon d'alimentation dans la prise murale dans le bon sens, de sorte que le cordon soit dirigé vers le sol.

- Si vous branchez le cordon d'alimentation dans l'autre sens, les fils électriques à l'intérieur du câble pourront être endommagés, entraînant un risque de choc électrique ou d'incendie.

## **CONSERVEZ SOIGNEUSEMENT CES CONSIGNES**

---

Cet appareil doit être correctement mis à la terre.

Ne reliez pas le conducteur de terre de l'appareil à un tuyau de gaz, un tuyau de canalisation en plastique ou une ligne téléphonique.

- Une mise à la terre incorrecte pourrait causer des chocs électriques, des incendies, une explosion ou des problèmes avec le produit.
- Ne branchez jamais le cordon d'alimentation sur une prise qui n'est pas correctement mise à la terre. Vérifiez que la prise utilisée est mise à la terre conformément aux normes locales et nationales.

N'installez jamais cet appareil près d'un radiateur ou de matériaux inflammables.

N'installez pas cet appareil dans un endroit humide, huileux ou poussiéreux, dans un endroit exposé directement au soleil ou à l'eau (de pluie).

N'installez pas l'appareil dans un lieu où une fuite de gaz est susceptible de se produire.

- Cela pourrait entraîner un choc électrique ou un incendie.

Branchez correctement le cordon d'alimentation dans la prise murale. N'utilisez pas de prise ou de cordon d'alimentation endommagé(e) ou de prise murale mal fixée.

- Cela pourrait entraîner un choc électrique ou un incendie.

Ne tirez pas et ne pliez pas excessivement le cordon d'alimentation.

Ne vrillez pas et n'attachez pas le cordon d'alimentation.

N'accrochez pas le cordon d'alimentation sur un objet métallique, ne posez pas d'objet lourd sur le cordon d'alimentation, ne l'insérez pas entre des objets et ne le coincez pas dans l'espace situé derrière l'appareil.

- Cela pourrait entraîner un choc électrique ou un incendie.

Ne tirez pas sur le cordon d'alimentation pour le débrancher.

- Débranchez le cordon en tenant la prise.
- Le non-respect de cette consigne peut entraîner des chocs électriques ou des incendies.

Si la prise ou le cordon d'alimentation est endommagé(e), contactez le centre de réparation le plus proche.

## Mises en garde pour l'installation

---

### **ATTENTION**

Positionnez l'appareil de telle sorte que la prise reste facilement accessible.

- Le non-respect de cette consigne peut entraîner un choc électrique en cas de fuites de courant.

# CONSERVEZ SOIGNEUSEMENT CES CONSIGNES

# Consignes de sécurité

---

Installez l'appareil sur un sol plan et dur, capable de supporter son poids.

- Le non-respect de cette consigne peut entraîner des vibrations et des bruits anormaux ou des problèmes avec l'appareil.

Débranchez la prise d'alimentation lorsque l'appareil n'est pas utilisé pendant des périodes prolongées ou lors d'orages violents.

- Le non-respect de cette consigne peut entraîner des chocs électriques ou des incendies.

## Avertissements importants concernant l'utilisation

---

### **AVERTISSEMENT**

En cas d'inondation, coupez immédiatement l'alimentation électrique et contactez votre centre de réparation le plus proche.

Si l'appareil émet des bruit anormaux ou dégage une odeur de brûlé ou de la fumée, débranchez-le immédiatement et contactez votre centre de réparation le plus proche.

- Le non-respect de cette consigne peut entraîner des chocs électriques ou des incendies.

En cas de fuite de gaz (propane, gaz LP, etc.) ventilez immédiatement la zone. Aucun appareil ni aucune lumière ne doivent être allumés ou éteints.

- N'utilisez pas de ventilateur.
- Une étincelle peut entraîner une explosion ou un incendie.

Ne lavez jamais de linge ayant été en contact avec de l'essence, du kérosène, du benzène, des diluants de peinture, de l'alcool ou toute autre substance inflammable ou explosive.

- Risque de choc électrique, d'incendie ou d'explosion.

Ne forcez pas l'ouverture du couvercle pendant le fonctionnement du lave-linge (lavage à haute température/séchage/essorage).

- Une fuite d'eau peut causer des brûlures ou rendre le sol glissant. Cela pourrait entraîner des blessures.
- Le forçage du couvercle peut endommager l'appareil ou causer des blessures.

Assurez-vous de retirer l'emballage (mousse, polystyrène) fixé au bas du lave-linge avant d'utiliser celui-ci.

N'insérez pas votre main sous le lave-linge.

- Cela pourrait entraîner des blessures.

## **CONSERVEZ SOIGNEUSEMENT CES CONSIGNES**

---

Ne touchez pas la prise d'alimentation avec des mains mouillées.

- Cela pourrait entraîner un choc électrique.

Ne débranchez pas l'appareil si celui-ci est en cours de fonctionnement.

- Le fait de rebrancher la prise d'alimentation dans la prise murale peut provoquer une étincelle et entraîner une électrocution ou un incendie.

Conservez tous les matériaux d'emballage hors de portée des enfants ; les matériaux d'emballage présentent des dangers pour les enfants.

- Si un enfant met un sac en plastique sur sa tête, il risque de s'asphyxier.

Ne laissez pas les enfants ou des personnes handicapées utiliser ce lave-linge sans surveillance.

- Risque d'électrocution, de brûlure ou d'incendie.

N'insérez pas votre main ou un objet métallique sous le lave-linge pendant son fonctionnement.

- Cela pourrait entraîner des blessures.

Ne tentez pas de réparer, de démonter ou de modifier l'appareil vous-même.

- N'utilisez pas de fusible (cuivre, fil d'acier, etc.) autres que le fusible standard.
- Si l'appareil a besoin d'être réparé ou réinstallé, contactez le centre de réparation le plus proche.
- Le non-respect de cette consigne peut entraîner des chocs électriques, des incendies, des problèmes avec le produit ou des blessures.

Si une substance étrangère telle que de l'eau pénètre dans une partie autre que le tambour de l'appareil, débranchez-le et contactez le centre de réparation le plus proche.

- Le non-respect de cette consigne peut entraîner des chocs électriques ou des incendies.

Si le tuyau d'arrivée d'eau se déconnecte du robinet et inonde l'appareil, débranchez le lave-linge.

- Le non-respect de cette consigne peut entraîner des chocs électriques ou des incendies.

Pour les tissus imperméables, utilisez uniquement le cycle BEDDING / WATERPROOF (DRAPS / IMPERMÉABLES).

- N'utilisez aucun autre cycle pour les tissus imperméables. Risque de vibrations anormales, de blessures ou de dégâts matériels (lave-linge, murs, sol ou linge).
- Réglez la température et l'essorage en fonction de l'étiquette attachée sur les vêtements.
- **AVERTISSEMENT** : En cas de non-respect de ces instructions, l'appareil risque de vibrer anormalement et d'être en déséquilibre, ce qui pourrait entraîner des blessures corporelles, des dommages matériels et/ou des dégâts sur l'appareil.

Retirez vos mains de la partie supérieure du lave-linge avant de fermer le couvercle.

- Cette précaution évitera toute blessure aux mains pouvant survenir lors de la fermeture du couvercle.

## CONSERVEZ SOIGNEUSEMENT CES CONSIGNES

# Consignes de sécurité

---

## Mises en garde concernant l'utilisation

---

### **ATTENTION**

Si le lave-linge est contaminé par des corps étrangers (ex. : détergent, saletés, déchets alimentaires etc.), débranchez-le et nettoyez-le à l'aide d'un chiffon doux humide.

- À défaut, une décoloration, une déformation, des dommages ou de la rouille peuvent apparaître.

La partie transparente du couvercle peut se casser en cas d'impact. Utilisez le lave-linge avec précaution.

- Si la partie transparente du hublot est fissurée ou cassée, il existe un risque de blessure.

Après une interruption d'arrivée d'eau ou en rebranchant le tuyau d'arrivée d'eau au robinet, ouvrez celui-ci lentement.

Ouvrez le robinet d'arrivée d'eau lentement après une période prolongée de non-utilisation.

- La pression d'air dans le tuyau d'arrivée d'eau ou la canalisation d'eau peut entraîner des dommages à certaines pièces ou une fuite d'eau.

En cas de vidange défectueuse durant un cycle, vérifiez s'il y a un problème de vidange.

- En cas d'inondation (problème de vidange), il existe un risque de choc électrique ou d'incendie.

N'insérez pas votre main sous le lave-linge.

- Cela pourrait entraîner des blessures.

Introduisez complètement le linge dans le lave-linge afin qu'il ne reste pas coincé dans le couvercle.

- Si du linge reste coincé dans le couvercle, il peut être endommagé, ainsi que le lave-linge, ou une fuite d'eau peut survenir.

Assurez-vous que le robinet est fermé lorsque le lave-linge n'est pas utilisé.

- Assurez-vous que les raccords du tuyau d'arrivée d'eau sont correctement serrés.
- Le non-respect de cette consigne peut entraîner des dommages matériels et des blessures.

Ouvrez le robinet et vérifiez que le raccord du tuyau d'arrivée d'eau est fermement serré et qu'il n'y a aucune fuite d'eau avant d'utiliser l'appareil.

- Si les raccords du tuyau d'arrivée d'eau sont desserrés, des fuites peuvent se produire.

Ne montez pas sur l'appareil et ne placez pas d'objets (tels que linge, bougies allumées, cigarettes allumées, vaisselle, produits chimiques, objets métalliques, etc.) sur l'appareil.

- Cela pourrait causer des chocs électriques, des incendies, des problèmes avec l'appareil ou des blessures.

## **CONSERVEZ SOIGNEUSEMENT CES CONSIGNES**

---

Ne faites pas fonctionner l'appareil avec des mains mouillées.

- Cela pourrait entraîner un choc électrique.

Ne pulvérisez pas de matières volatiles telles que de l'insecticide sur la surface de l'appareil.

- En plus d'être nocives pour l'être humain, elles peuvent également entraîner des chocs électriques, des incendies ou des problèmes avec l'appareil.

Ne placez pas d'objet générant un champ électromagnétique à proximité du lave-linge.

- Ceci pourrait entraîner des blessures résultant de dysfonctionnements.

L'eau vidangée durant un cycle de séchage ou de lavage à haute température étant chaude, ne touchez pas cette eau.

- Cela pourrait entraîner des brûlures ou des blessures.

Ne faites jamais fonctionner le lave-linge sans le distributeur de lessive.

- Ceci pourrait entraîner un choc électrique ou des blessures résultant de la fuite d'eau.

N'introduisez pas votre main dans le distributeur de lessive après l'avoir ouvert.

- Cela pourrait entraîner des blessures car vous risquez de vous faire prendre la main.

Ne placez pas d'objets (ex. : chaussures, déchets alimentaires ou animaux) autres que du linge dans le lave-linge.

- Risque de vibrations anormales et d'endommagement ; danger de mort pour les animaux.

N'actionnez pas les boutons à l'aide d'objets tranchants tels que des aiguilles, des couteaux, les ongles etc.

- Cela pourrait entraîner un choc électrique ou des blessures.

Ne lavez pas de linge entré en contact avec des huiles, crèmes ou lotions utilisées dans les salons de beauté ou de massage.

- Ceci pourrait provoquer une déformation du joint en caoutchouc, entraînant des fuites d'eau.

Ne laissez pas d'objets métalliques (ex. : épingles de sûreté, à cheveux, etc.) dans le tambour ; ne laissez pas d'agent de blanchiment dans le tambour pendant des périodes prolongées.

- Ceci pourrait entraîner l'apparition de rouille sur le tambour.
- Si de la rouille apparaît sur la surface du tambour, appliquez un produit de nettoyage neutre et frottez à l'aide d'une éponge. N'utilisez jamais de brosse métallique.

N'utilisez pas directement de solvants de nettoyage à sec dans le tambour et ne lavez, ne rincez et n'essorez pas de linge entré en contact avec des solvants de nettoyage à sec.

- Risque de combustion ou d'inflammation spontanée résultant de la chaleur dégagée par l'oxydation de l'huile.

## **CONSERVEZ SOIGNEUSEMENT CES CONSIGNES**

# Consignes de sécurité

---

N'utilisez pas d'eau chaude provenant d'appareils de refroidissement/de réchauffement d'eau.

- Ceci pourrait entraîner des dysfonctionnements du lave-linge.

N'utilisez pas de savon pour les mains dans le lave-linge.

- Risque de dysfonctionnement, de décoloration, d'oxydation ou de dégagement de mauvaises odeurs.

Ne lavez pas d'articles de grande taille tels que du linge de lit dans un filet de lavage.

- Dans le cas contraire, des vibrations anormales peuvent engendrer des blessures.
- Placez les plus petits objets, tels que des chaussettes délicates et de la lingerie, dans le filet de lavage.

N'utilisez pas de détergent solidifié.

- S'il s'accumule dans le lave-linge, des fuites d'eau peuvent en résulter.

Ne lavez pas les lingettes jetables ou les paillasons.

- Le sable risquerait de s'accumuler à l'intérieur du lave-linge. Les performances de certaines fonctions s'en trouveraient altérées (ex. : essorage).

## Avertissements importants concernant le nettoyage

---

### **AVERTISSEMENT**

Ne nettoyez pas l'appareil en pulvérisant directement de l'eau dessus.

N'utilisez pas de produit nettoyant d'acide fort.

N'utilisez pas de benzène, de diluant ou d'alcool pour nettoyer l'appareil.

- Cela pourrait entraîner des décolorations, des déformations, des dommages, des chocs électriques ou un incendie.

Avant d'effectuer un nettoyage ou un entretien, débranchez le cordon d'alimentation de la prise murale.

- Le non-respect de cette consigne peut entraîner des chocs électriques ou des incendies.

# CONSERVEZ SOIGNEUSEMENT CES CONSIGNES

# Installation

Suivez attentivement ces instructions afin de garantir la bonne installation du lave-linge et d'éviter des accidents lors de son utilisation.

## **⚠ AVERTISSEMENT**

La mise à la terre de certaines pièces internes n'a volontairement pas été effectuée ; ces éléments peuvent donc présenter un risque d'électrocution (lors de l'entretien uniquement). Technicien de maintenance - Ne touchez pas les pièces suivantes lorsque l'appareil est sous tension : panneau de commande, dissipateur thermique, moteur, vanne d'arrivée d'eau, résistance et pompe.

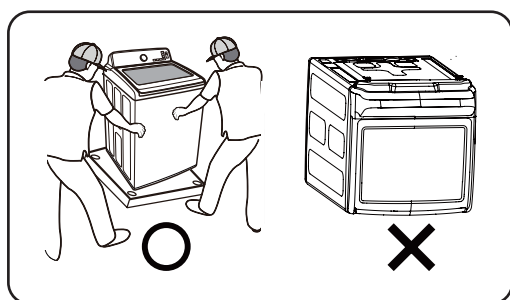
## **Déballage de votre lave-linge**

Déballiez votre lave-linge et vérifiez qu'il n'a pas été endommagé pendant le transport. Vérifiez que vous disposez de tous les éléments illustrés ci-dessous. Si votre lave-linge a été endommagé pendant le transport ou si vous ne disposez pas de tous les éléments, appelez immédiatement le 1-800-SAMSUNG (1-800-726-7864).

Afin de prévenir tout risque de blessures, munissez-vous de gants de protection pour soulever ou porter le lave-linge.

## **⚠ AVERTISSEMENT**

Tenez tous les matériaux d'emballage (sacs plastique, polystyrène, etc.) hors de portée des enfants.



## **⚠ ATTENTION**

Lors du déballage du lave-linge, il est nécessaire d'être 2. Pour retirer le fond de protection des matériaux d'emballage, il est strictement interdit de renverser l'appareil en avant.

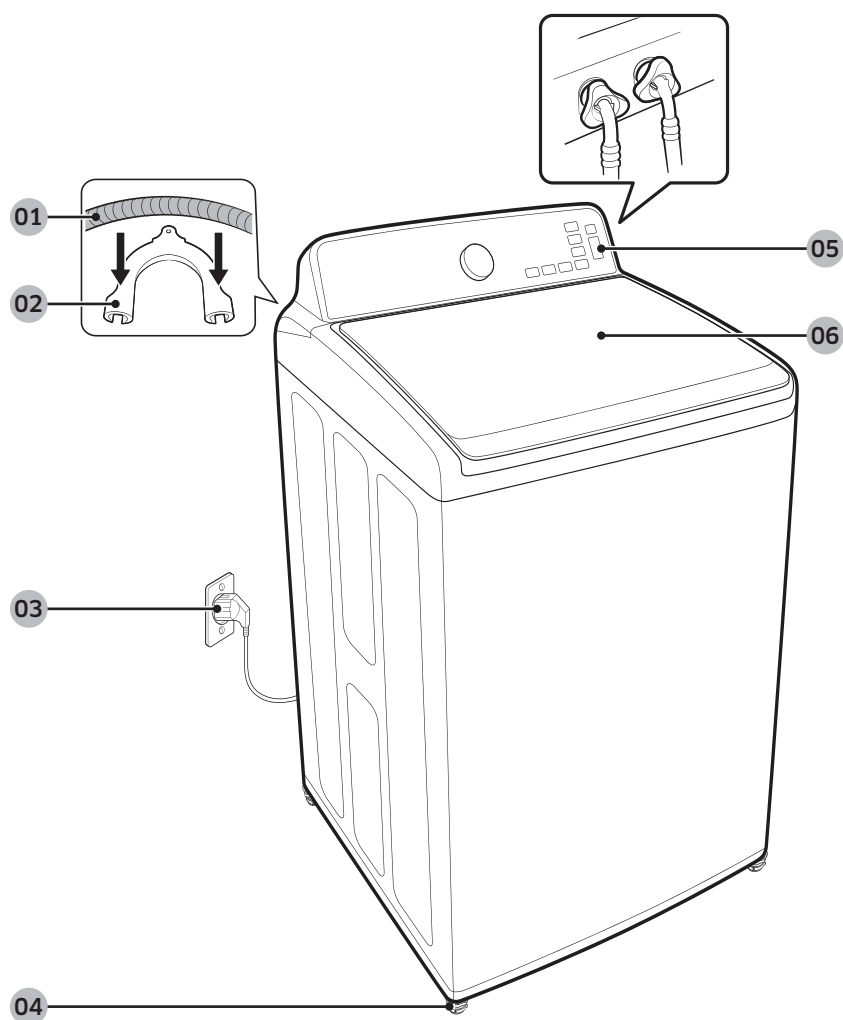
Lorsque vous couchez le lave-linge au sol pour retirer la base en carton, protégez le côté de l'appareil et couchez-le avec précaution.

Ne posez jamais le lave-linge sur la façade avant ou arrière.

# Installation

## Présentation de votre lave-linge

Assurez-vous que toutes les pièces sont incluses dans l'emballage de l'appareil.  
Si vous rencontrez un problème avec le lave-linge ou les pièces, contactez un centre d'assistance clientèle Samsung local ou le magasin.



**01** Tuyau de vidange

**02** Guide du tuyau de vidange

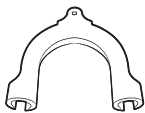
**03** Cordon d'alimentation

**04** Pieds réglables

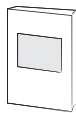
**05** Panneau de commande

**06** Couverture

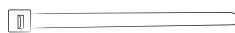
## Pièces fournies



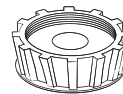
Guide du tuyau de vidange



Manuel d'utilisation

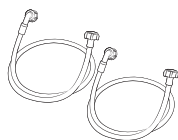


Attache en plastique pour tuyau



Bouchon de l'arrivée d'eau

## Pièces non fournies



Tuyaux d'arrivée d'eau

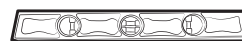
## Outils requis pour l'installation



Clé



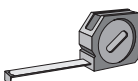
Tournevis plat



Dispositif de mise à niveau



Pince ajustable



Mètre ruban

## REMARQUE

- Si vous perdez un accessoire et souhaitez en acquérir un neuf, appelez le centre de réparation Samsung (1-800-SAMSUNG (1-800-726-7864)).
- La conception des pièces et accessoires ci-dessus peut varier sur votre modèle. Leur conception est susceptible d'être modifiée sans préavis en vue d'améliorer le produit.
- Ne réutilisez jamais de tuyaux usagés. Utilisez uniquement des tuyaux d'arrivée d'eau neufs lors de l'installation du lave-linge. Les tuyaux d'arrivée d'eau usagés sont susceptibles de fuir ou de se rompre et de provoquer une inondation et des dommages matériels.
- Vérifiez la présence des rondelles en caoutchouc situées à l'intérieur de chaque raccord des tuyaux d'arrivée d'eau.

# Installation

## Exigences de base relatives à l'installation

### Électricité

- Fusible ou disjoncteur 120 V, 60 Hz, 15 A.
- Il est recommandé de relier votre lave-linge à un circuit distinct.
- Votre lave-linge est muni d'un cordon d'alimentation.

### **ATTENTION**

N'utilisez jamais de rallonge.

### Mise à la terre

Cet appareil requiert une mise à la terre.

Cet appareil doit être mis à la terre. En cas de panne ou de défaillance, la mise à la terre réduit le risque d'électrocution en fournissant au courant électrique un trajet de moindre résistance.

Cet appareil est équipé d'un cordon doté d'une prise à 3 broches, dont une de terre, destinée à être branchée sur une prise murale correctement installée et reliée à la terre.

La prise doit être branchée sur une prise secteur appropriée, correctement installée et mise à la terre conformément aux dispositions et aux réglementations en vigueur.

### **AVERTISSEMENT**

Un conducteur de mise à la terre connecté de manière incorrecte peut augmenter le risque d'électrocution. En cas de doute, demandez à un électricien qualifié ou à un réparateur de vérifier si l'appareil est correctement mis à la terre.

Ne modifiez pas la prise fournie avec l'appareil ; si elle n'est pas adaptée à la prise murale, faites appel à un électricien qualifié pour installer une prise appropriée.

### Consignes de sécurité importantes

Afin d'éviter tout risque d'incendie, d'électrocution ou de blessure, il est essentiel que le câblage et la mise à la terre soient réalisés conformément aux spécifications de la NEC (National Electrical Code) ANSI/FNPA n°70 dernière révision ainsi qu'aux réglementations et ordonnances locales. L'utilisation d'une alimentation électrique adaptée à cet appareil relève de la responsabilité de son propriétaire.

### **ATTENTION**

Ne reliez jamais un conducteur de terre à une conduite de plomberie en plastique, une conduite de gaz ou une conduite d'eau chaude.

## Eau

L'eau doit arriver à une pression de 20 à 116 psi (137 à 800 kPa) pour que le lave-linge puisse se remplir dans les délais nécessaires.

Une pression d'eau inférieure à 20 psi peut provoquer une panne de la soupape d'admission d'eau et l'empêcher de se fermer correctement, ou augmenter la durée de remplissage au-delà de celle autorisée par le régulateur du lave-linge, entraînant l'arrêt de ce dernier.

Un limiteur de durée de remplissage est intégré aux commandes afin d'éviter toute inondation en cas de défaillance d'un tuyau.

Les robinets d'arrivée d'eau doivent se trouver à moins de 4 pieds (122 cm) de l'arrière de votre lave-linge afin de pouvoir y raccorder les tuyaux fournis avec celui-ci.

### REMARQUE

Il existe des tuyaux d'arrivée d'eau allant jusqu'à 10 pieds (275 cm) de long pour les robinets se trouvant à une trop grande distance de votre lave-linge.

Pour prévenir les risques de dégât des eaux :

- Faites en sorte que les robinets d'arrivée d'eau soient facilement accessibles.
- Fermez les robinets d'arrivée d'eau lorsque vous n'utilisez pas le lave-linge.
- Vérifiez régulièrement l'absence de fuite au niveau des raccords des tuyaux d'arrivée d'eau.

### AVERTISSEMENT

Vérifiez l'absence de fuite au niveau de tous les raccords de la vanne d'eau et du robinet.

## Système de vidange

La hauteur recommandée de la conduite d'évacuation est de 39 pouces (99 cm). Fixez le tuyau de vidange à la pince prévue à cet effet, puis introduisez-le dans le tuyau d'évacuation mural. Le tuyau d'évacuation doit être suffisamment large pour accueillir le tuyau de vidange du lave-linge. Le tuyau de vidange est fixé au lave-linge en usine.

## Sol

Pour un fonctionnement optimal, vous devez installer votre lave-linge sur un sol stable. Si le sol est en bois, il est préférable de le renforcer afin de réduire les vibrations et/ou problèmes de déséquilibre. La présence de moquette ou de surfaces molles peut entraîner des vibrations susceptibles de provoquer un léger déplacement de votre lave-linge durant l'essorage.

N'installez jamais votre lave-linge sur une plateforme ou sur une structure instable.

## Choix de l'emplacement d'installation

N'installez pas votre lave-linge dans un endroit qui risque d'être exposé au gel : il reste en effet toujours une certaine quantité d'eau dans la vanne, la pompe ou les tuyaux. L'eau gelée peut endommager les courroies, la pompe, les tuyaux ou d'autres composants.

# Installation

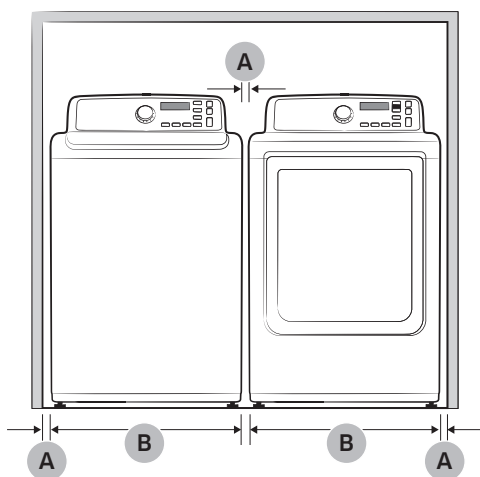
## Encastrement dans une niche ou installation dans un placard

Dégagements minimaux pour installation dans un placard ou une niche :

Côtés	1 pouce / 25 mm	À l'avant du placard	1 pouce / 25 mm
Arrière	5,9 pouces / 150 mm	Haut	21 pouces / 533 mm

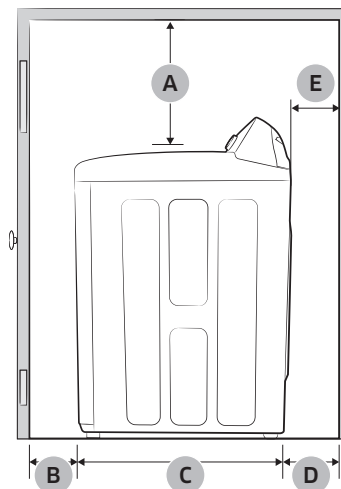
Si le lave-linge et le sèche-linge sont installés ensemble, prévoyez un dégagement d'au moins 72 pouces<sup>2</sup> (465 cm<sup>2</sup>) à l'avant du placard. Installé seul, votre lave-linge ne nécessite aucun dégagement.

### Encastrement dans une niche



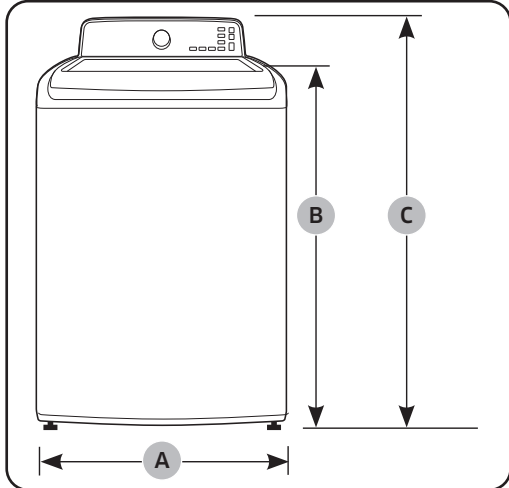
A	1 pouce (2,5 cm)
B	27,0 pouces (68,6 cm)

### Vue latérale du placard ou de l'espace réduit

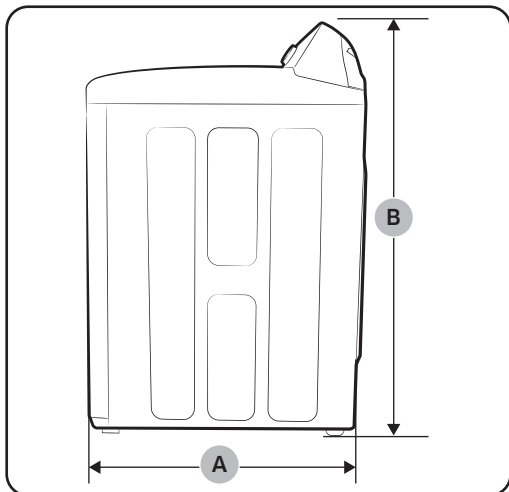


A	21 pouces (53,3 cm)
B	1 pouce (2,5 cm)
C	29 et 7/16 de pouces (74,4 cm)
D	5,9 pouces (15,0 cm)
E	Espace entre l'extrémité de la vanne d'arrivée d'eau et le mur <ul style="list-style-type: none"> <li>Cas 1 Assemblage du flexible d'arrivée après l'installation : Plus de 4 pouces (10 cm).</li> <li>Cas 2 Assemblage du flexible d'arrivée avant l'installation : Plus de 3 pouces (8 cm).</li> </ul>

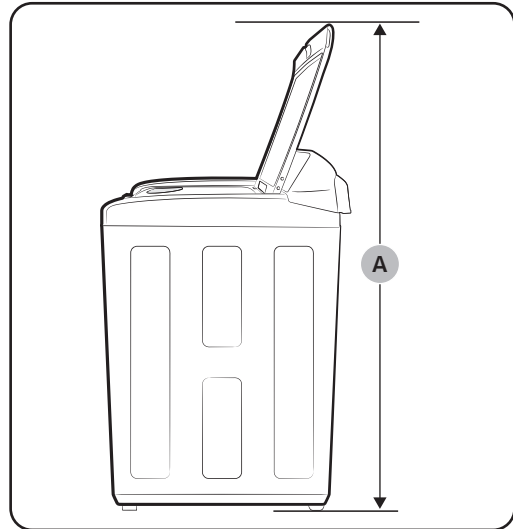
## Dimensions requises pour l'installation



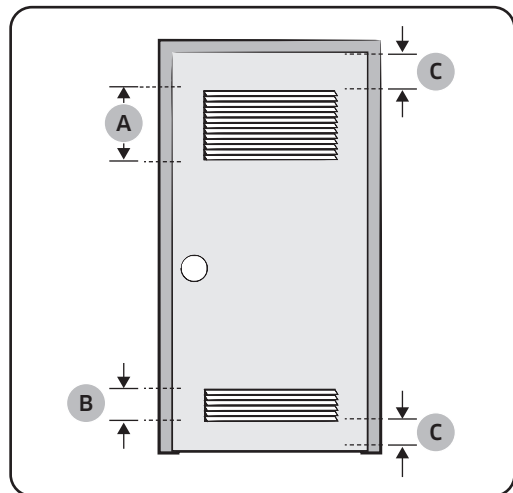
A	27,0 pouces (68,6 cm)
B	39,3 pouces (99,8 cm)
C	43,9 pouces (111,7 cm)



A	29,3 pouces (74,4 cm)
B	43,9 pouces (111,7 cm)



A	59,3 pouces (150,5 cm)
---	------------------------



A*	48,0 pouces <sup>2</sup> (310,0 cm <sup>2</sup> )
B*	24,0 pouces <sup>2</sup> (155,0 cm <sup>2</sup> )
C	3,0 pouces (7,6 cm)

### REMARQUE

\* Espace obligatoire

# Installation

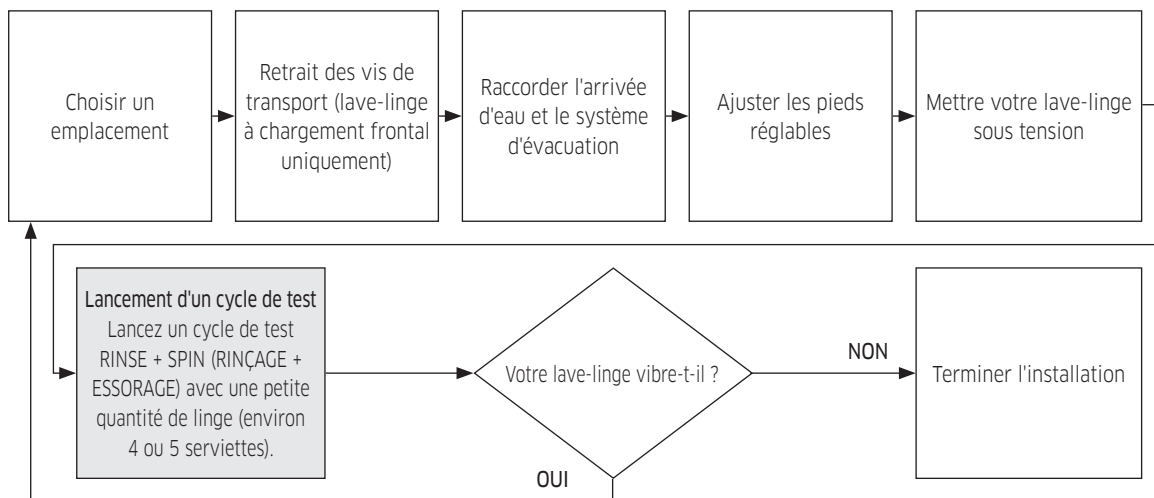
## Remarque importante à l'intention de l'installateur

Lisez attentivement les consignes suivantes avant d'installer votre lave-linge.

Conservez ces instructions pour référence ultérieure.

Nous vous recommandons de faire appel à un professionnel pour installer votre lave-linge.

## Schéma d'installation



Veillez vérifier à nouveau les étapes précédentes.

---

## Installation étape par étape

---

### ÉTAPE 1 Choix de l'emplacement

---

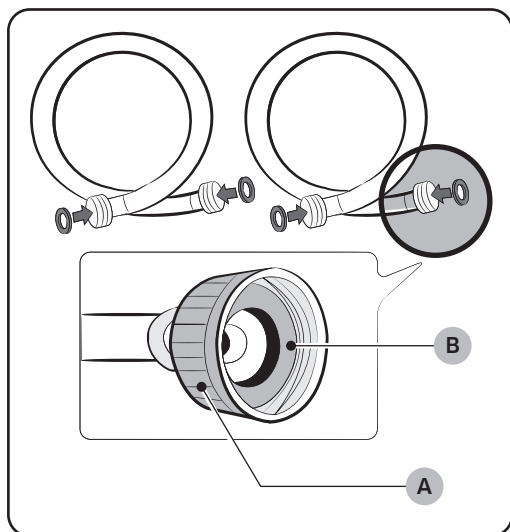
#### REMARQUE

Avant d'installer votre lave-linge, vérifiez que l'emplacement choisi :

- possède une surface dure et à niveau, sans moquette ou autre revêtement de sol susceptible d'obstruer l'aération ;
- n'est pas exposé à la lumière directe du soleil ;
- dispose d'un espace d'aération suffisant ;
- n'est pas exposé au gel (températures inférieures à 32 °F ou 0 °C)
- ne se trouve pas à proximité d'une source de chaleur (ex. : essence, gaz, etc.) ;
- dispose de suffisamment d'espace, de sorte que votre lave-linge ne repose pas sur son cordon d'alimentation.

### ÉTAPE 2 Raccordement du tuyau d'arrivée d'eau

---



#### **ATTENTION**

Avant d'installer les tuyaux d'arrivée d'eau, vérifiez la présence de joints en caoutchouc (B) à l'intérieur des raccords (A) situés aux deux extrémités de chaque tuyau d'arrivée d'eau neuf. L'installation de tuyaux d'arrivée d'eau sans joints en caoutchouc est susceptible d'entraîner une fuite d'eau.

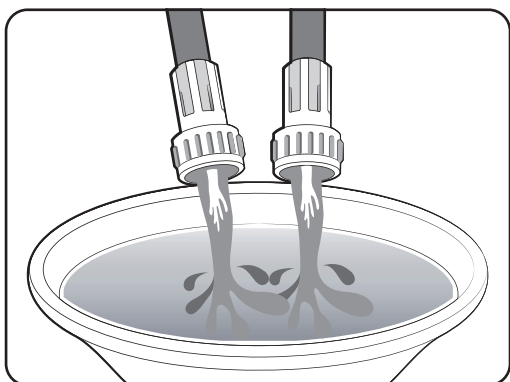
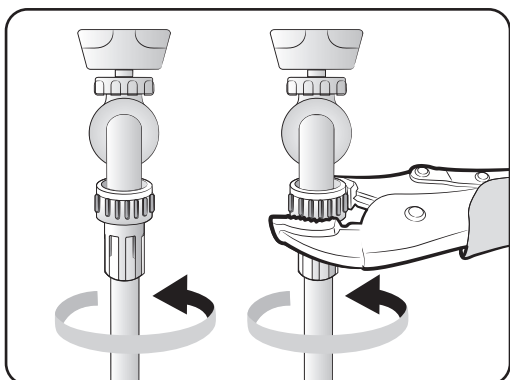
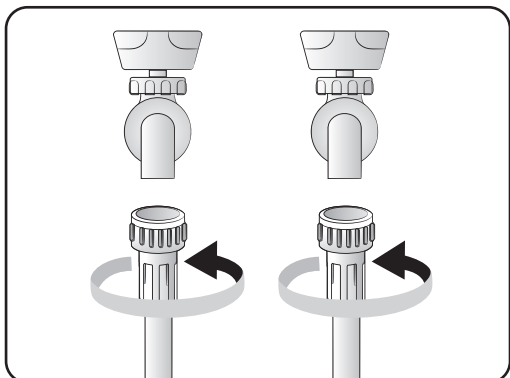
#### **ATTENTION**

Lors de l'installation initiale du lave-linge, veillez à utiliser des tuyaux neufs. Le contraire est susceptible d'entraîner une fuite d'eau ou un trop-plein et de provoquer des dommages matériels.

#### **ATTENTION**

Ne raccordez pas plusieurs tuyaux d'arrivée d'eau ensemble pour augmenter la longueur du tuyau d'arrivée. Des tuyaux raccordés de cette façon peuvent fuir et la fuite peut entraîner une électrocution. Si un tuyau est trop court, remplacez-le par un tuyau haute pression plus long.

# Installation



1. Raccordez les extrémités des tuyaux d'arrivée d'eau aux robinets **d'eau chaude** et **d'eau froide**.
2. Serrez autant que possible les raccords à la main, puis faites deux tiers de tour supplémentaires à l'aide d'une pince.

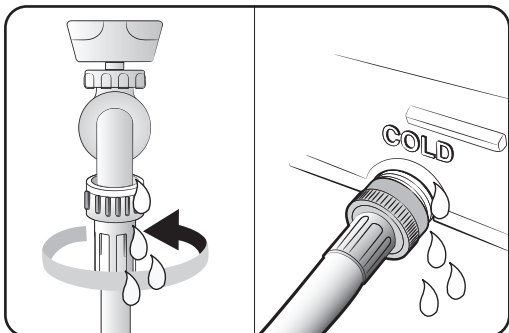
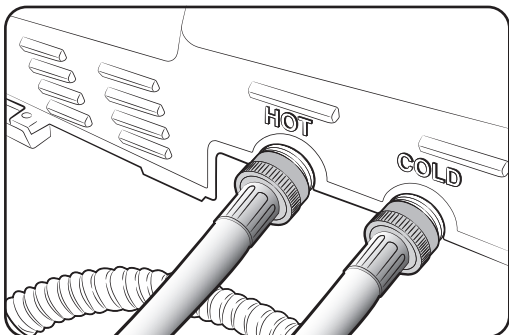
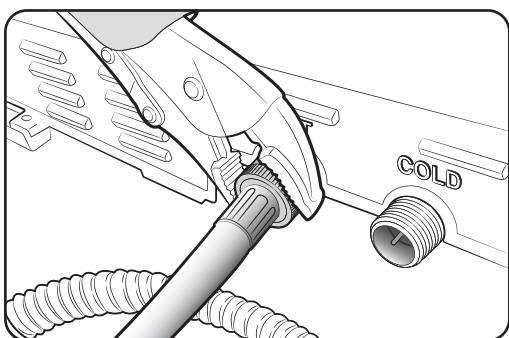
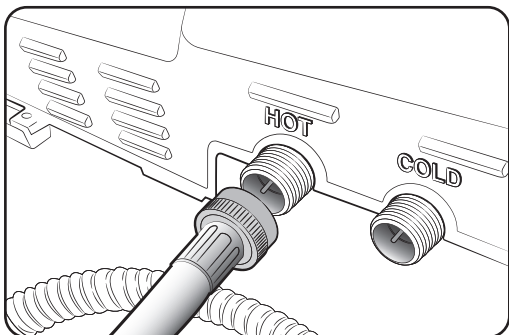
## **ATTENTION**

Lorsque vous serrez les raccords, veillez à ne pas trop les serrer et à n'appliquer ni ruban adhésif, ni mastic sur les robinets ou les arrivées d'eau. Cela est susceptible d'endommager les raccords.

## **REMARQUE**

Après avoir raccordé les tuyaux d'arrivée d'eau aux robinets, vérifiez que le branchement a été correctement effectué en tirant les tuyaux d'arrivée d'eau vers le bas.

3. Placez les extrémités non raccordées des tuyaux dans une bassine et ouvrez les robinets connectés aux deux tuyaux d'arrivée d'eau pendant 10 ou 15 secondes afin d'éliminer toute substance étrangère dans les tuyaux. Fermez les robinets avant de poursuivre.



- Raccordez les extrémités des tuyaux d'arrivée d'eau aux raccords de la vanne d'alimentation en eau située à l'arrière du lave-linge.

### ⚠ ATTENTION

Le tuyau d'arrivée d'eau raccordé au robinet d'eau chaude doit être raccordé à l'arrivée d'eau chaude et le tuyau d'arrivée d'eau raccordé au robinet d'eau froide doit être raccordé à l'arrivée d'eau froide.

- Serrez autant que possible les raccords à la main, puis faites deux tiers de tour supplémentaires à l'aide d'une pince.

### 📖 REMARQUE

Pour garantir un bon fonctionnement, raccordez les deux robinets d'arrivée d'eau (chaude et froide). Si l'une d'entre elles (ou les deux) n'est pas raccordée, la DEL Cool (Fraîche) (pas de remplissage) clignote.

### 📖 REMARQUE

Si vous ne souhaitez pas utiliser le tuyau d'arrivée d'eau chaude, insérez le bouchon d'arrivée d'eau dans l'orifice d'arrivée d'eau chaude. Dans ce cas, vous devez sélectionner l'option **Cold (Froide)** pour la température de l'eau. Si vous sélectionnez l'option **Cold (Froide)**, tous les voyants correspondant aux options de température de l'eau sont éteints.

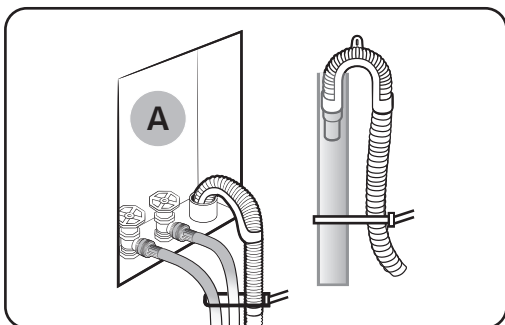
### ⚠ ATTENTION

Vérifiez si les tuyaux d'arrivée d'eau ne sont pas vrillés ou pliés. Si les tuyaux sont vrillés ou pliés, ils peuvent fuir et la fuite peut entraîner une électrocution.

- Ouvrez les robinets d'eau chaude et froide puis vérifiez tous les raccords : les arrivées d'eau et les robinets ne doivent présenter aucune fuite.

# Installation

## ÉTAPE 3 Raccordement du tuyau de vidange



L'extrémité du tuyau de vidange peut être positionnée de trois manières différentes :

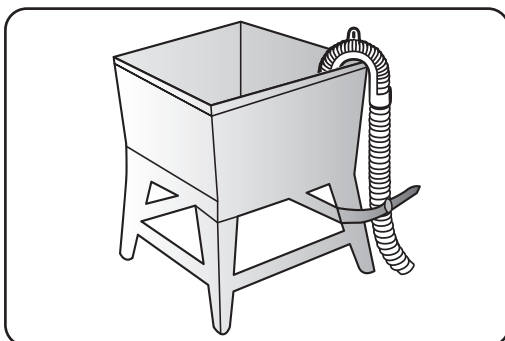
### Dans une conduite verticale murale ou au sol

La hauteur finale de la conduite verticale doit être comprise entre 39 po (99 cm) et 96 po (245 cm).

Si le tuyau d'évacuation est encastré dans le mur avec les vannes d'arrivée d'eau (A), attachez le tuyau d'évacuation au tuyau d'eau.

### REMARQUE

- Assurez-vous que le raccordement entre le tuyau de vidange et la conduite d'évacuation n'est pas étanche à l'air.

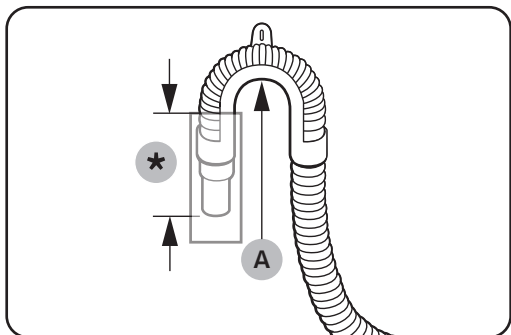


### Dans un bac à laver

La hauteur de la cuve doit être comprise entre 39 po (99 cm) et 96 po (245 cm).

Assemblez le guide de tuyau fourni à l'extrémité du tuyau d'évacuation, puis placez le dispositif d'accrochage sur le bac à laver.

Ensuite, attachez le tuyau d'évacuation au pied du bac à laver.



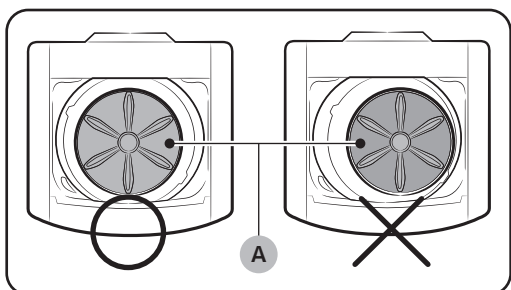
#### REMARQUE

Raccordez le guide de tuyau (A) à une distance comprise entre 3 et 5 po (7,6 et 12,7 cm)\* de l'extrémité du tuyau d'évacuation. Si le tuyau de vidange est déployé au-delà de l'extrémité du guide de tuyau, des moisissures ou des microorganismes pourraient se répandre à l'intérieur du lave-linge.

#### REMARQUE

Le tuyau de vidange peut être installé à maximum 96 pouces (245 cm) de distance, mais la capacité de vidange peut être altérée à cette hauteur. Le lave-linge peut alors dégager de mauvaises odeurs à cause de l'eau restante dans le système de vidange.

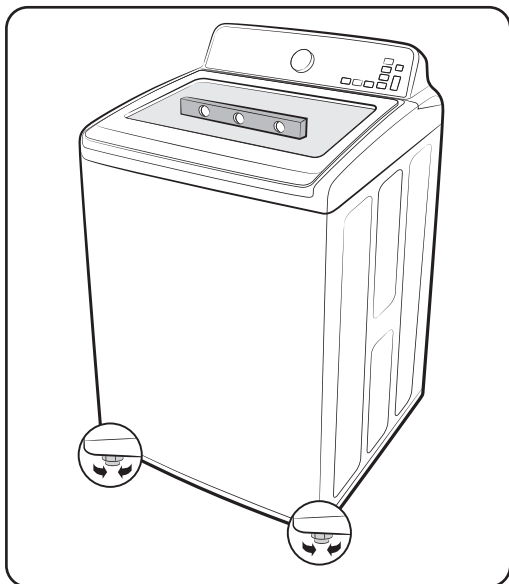
## ÉTAPE 4 Mise à niveau de votre lave-linge



Vérifiez si le lave-linge est à niveau en vérifiant la position de la cuve :

1. Faites glisser le lave-linge à l'emplacement choisi.
2. Ouvrez le couvercle du lave-linge et versez de l'eau dans la cuve jusqu'à atteindre un niveau immédiatement inférieur à celui du pulsateur.

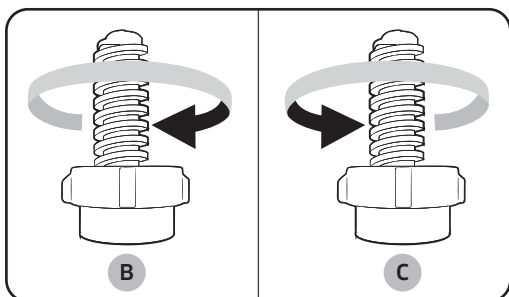
# Installation



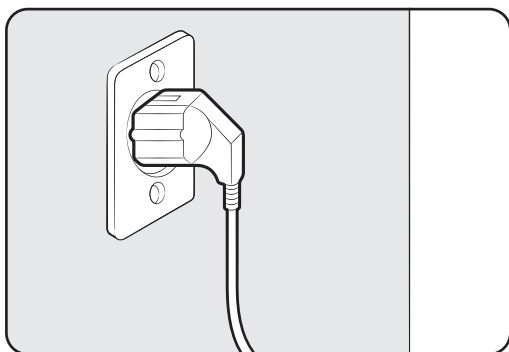
3. Si le lave-linge n'est pas à niveau, le **pulsateur (A)** est placé au centre de l'eau de la manière indiquée sur le schéma. Sinon, mettez à niveau votre lave-linge en tournant autant que nécessaire les pieds réglables avant dans le sens horaire ou anti-horaire.

## REMARQUE

- Tournez le pied réglable avant **dans le sens horaire (B)** pour abaisser le lave-linge, et **dans le sens anti-horaire (C)** pour le surélever.
- Le nombre de pieds de réglage peut varier en fonction des modèles.



## ÉTAPE 5 Mise sous tension de votre lave-linge



Branchez le cordon d'alimentation sur une prise électrique murale agréée de 120 V, 60 Hz et à 3 broches correctement mise à la terre, protégée par un fusible de 15 ampères (ou un coupe-circuit comparable)

La troisième broche du cordon d'alimentation permet de relier votre lave-linge à la terre une fois ce cordon branché sur une prise électrique murale à trois broches mise à la terre.

### Cycle à vide

Pour finaliser l'installation du lave-linge, lancez un cycle **RINSE + SPIN (RINÇAGE + ESSORAGE)** une fois l'appareil installé.

---

## ÉTAPE 6 Lancement d'un cycle de test

---

Lancez un cycle à vide comme indiqué ci-dessous pour vérifier si votre lave-linge est correctement installé.

1. Mettez du linge dans le tambour de sorte d'atteindre un poids d'environ 6 livres.
2. Appuyez sur le bouton **POWER (MARCHE/ARRÊT)** pour allumer votre lave-linge.
3. Choisissez le programme **RINSE + SPIN (RINÇAGE + ESSORAGE)** en faisant tourner le **Sélecteur de cycle**.
4. Appuyez sur le bouton **START/PAUSE (DÉPART/PAUSE)** pour commencer le cycle de test.
5. Le lave-linge ne bouge et ne vibre pas excessivement lorsque l'eau est approvisionnée ou lors du lavage ou de l'essorage. L'appareil doit également bien vidanger pendant le cycle d'essorage.

### REMARQUE

Si de l'eau fuit lors de l'approvisionnement ou de la vidange, vérifiez les connexions d'arrivée d'eau. Reportez-vous à la section « **ÉTAPE 2 Raccordement du tuyau d'arrivée d'eau** » à la page **21** pour obtenir des instructions.

### REMARQUE

Si le lave-linge bouge et vibre excessivement, remettez-le à niveau. Reportez-vous à la section « **ÉTAPE 4 Mise à niveau de votre lave-linge** » à la page **25** pour obtenir des instructions.

## ÉTAPE 7 Effectuer un calibrage (recommandé)

---

Le calibrage permet au lave-linge de détecter avec précision le poids du linge. Assurez-vous que le tambour est vide avant d'effectuer le calibrage.

1. Maintenez simultanément enfoncés les boutons **Temp.** et **POWER (MARCHE/ARRÊT)**.
2. Appuyez sur **START/PAUSE (DÉPART/PAUSE)** pour commencer le calibrage.
3. Le tambour tourne dans le sens horaire pendant environ 2 minutes.
4. Une fois terminé, tous les voyants du panneau de commande s'éteignent et le lave-linge s'éteint alors automatiquement.

### REMARQUE

Exécutez régulièrement le Mode de calibrage pour une détection plus précise du poids.

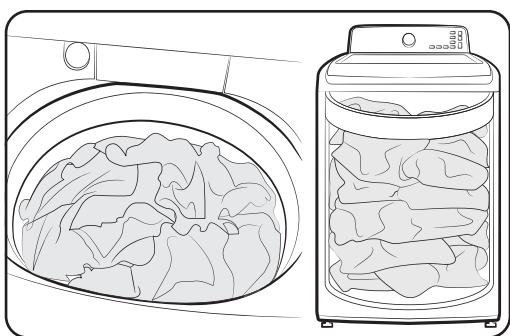
# Mode d'emploi

## ⚠ AVERTISSEMENT

Afin de réduire les risques d'incendie, d'électrocution ou de blessures physiques lors de l'utilisation de l'appareil, des précautions de base doivent être prises :

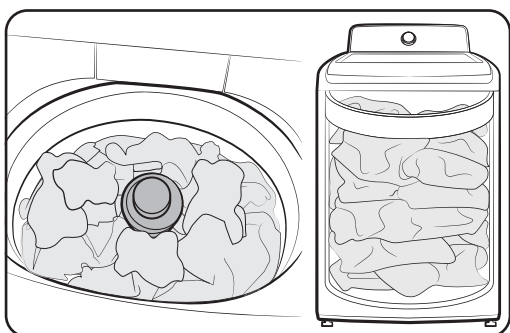
## Chargement du lave-linge

WA41A3\*\*\*A\*



- Remplissez la cuve avec des vêtements secs dépliés en répartissant uniformément afin d'optimiser l'efficacité de lavage et d'éviter une usure excessive ou de ne pas froisser le linge.
- Pour obtenir des performances de lavage optimales, assurez-vous que le linge est déposé uniformément.
- Lavez le linge délicat comme les soutiens-gorge, bas et autres types de lingerie à l'aide du cycle Délicat avec les articles légers similaires.

WA40A3\*\*\*A\*



- Lorsque vous lavez des articles volumineux ou un faible nombre d'articles qui ne remplissent pas complètement le tambour (ex : tapis, peluches, un ou deux pulls, etc.), ajoutez quelques serviettes afin d'améliorer l'essorage.
- N'insérez pas d'articles volumineux sauf pour le programme Literie.

## 📖 REMARQUE

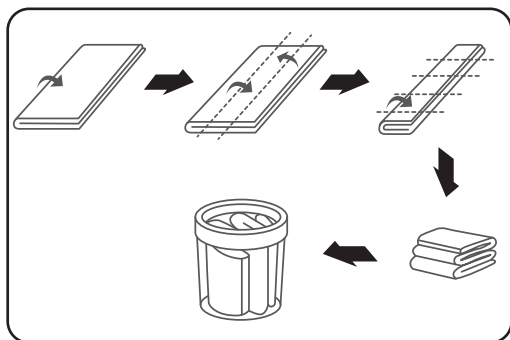
Lors de l'essorage, le lave-linge peut ajouter de l'eau pour redistribuer les vêtements afin de compenser les éventuels déséquilibres dans le tambour.

- Lorsque vous lavez du linge très sale, ne surchargez pas votre lave-linge afin d'obtenir un meilleur résultat de lavage.

## ⚠ ATTENTION

- Les articles susceptibles de gonfler risquent d'endommager le linge ou la machine pendant le processus de lavage ou de séchage.

- Quelle qu'en soit la taille, il est plus sûr et plus efficace de laver une seule couverture ou couette à la fois. Deux couvertures de tailles différentes lavées en même temps risquent d'altérer les performances de séchage car la charge est mal équilibrée.



**Pour insérer une couverture  
(pour les modèles WA41A3\*\*\*A\* uniquement)**

Pliez la couverture dans un filet spécial couvertures comme indiqué, puis introduisez-le dans la cuve en dessous de la zone en plastique de la cuve.

**⚠ ATTENTION**

Vérifiez que le linge est complètement inséré.

- Tout linge qui dépasse risque d'endommager la machine ou le linge lui-même, ou de provoquer une fuite d'eau.
- Ne surchargez pas la cuve. Assurez-vous de ne pas laisser de linge dépasser de la cuve.

**Pour ajouter un article oublié :**

1. Appuyez sur le bouton **START/PAUSE (DÉPART/PAUSE)** pour mettre le lave-linge en pause.
2. Attendez le déverrouillage automatique du hublot, puis ouvrez-le.
3. Ajoutez l'article, fermez le hublot, puis appuyez sur le bouton **START/PAUSE (DÉPART/PAUSE)**.  
Le cycle reprend.

**📄 REMARQUE**

Ne lavez pas différents types de linge de lit (couvertures, draps, couettes/duvets) ensemble. Leur charge peut devenir déséquilibrée dans le tambour et entraîner de mauvais résultats d'essorage.

- Avant le lavage, séparez le linge de lit selon le type.
  - Si un article est volumineux et absorbe de grandes quantités d'eau pendant le lavage, lavez cet article individuellement.
  - Ne lavez pas les articles légers avec des articles qui absorbent beaucoup l'eau.
  - Ne lavez pas de duvets ou de couettes avec leurs housses ou avec des draps.

# Mode d'emploi

---

## Mise en marche

---

1. Ajoutez de la lessive liquide (ou en poudre) et des additifs (reportez-vous à la section « **Utilisation de la lessive** » à la page 36).
2. Chargez votre lave-linge.
3. Sélectionnez le cycle et les options appropriés en fonction de la charge de linge (reportez-vous à la section « **Effectuer un lavage** » à la page 31).
4. Fermez le couvercle.
5. Appuyez sur **START/PAUSE (DÉPART/PAUSE)**.
6. Le voyant **Wash (Lavage)** s'allume.
7. La durée estimée du cycle s'affiche à l'écran.  
La durée indiquant le temps restant pour le cycle peut fluctuer.

### **REMARQUE**

La durée réelle nécessaire à la réalisation d'un cycle peut différer de la durée estimée affichée sur l'écran en fonction de la pression et de la température de l'eau, du type de lessive utilisé et du linge à nettoyer.

8. Avant de se remplir, votre lave-linge émet une série de cliquetis ; ces cliquetis indiquent qu'il vérifie que le hublot est bien verrouillé et qu'il effectue une vidange rapide.

### **REMARQUE**

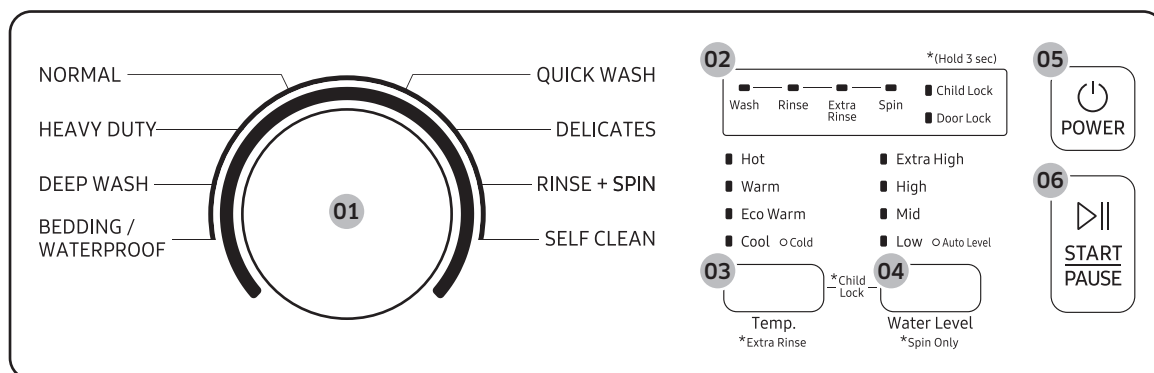
- Une fois le cycle terminé, le voyant **Door Lock (Verrouillage du hublot)** s'éteint.
- Appuyer sur le bouton **POWER (MARCHE/ARRÊT)** permet d'annuler le cycle et d'arrêter votre lave-linge.
- Le voyants **Wash (Lavage)**, **Rinse (Rinçage)** et **Spin (Essorage)** s'allument lorsque le cycle entame ces différentes parties du cycle.

# Effectuer un lavage

## ⚠ AVERTISSEMENT

afin de limiter les risques d'incendie, d'électrocution ou de blessures, consultez la section CONSIGNES IMPORTANTES DE SÉCURITÉ avant d'utiliser cet appareil.

## Panneau de commande



<b>01</b> Sélecteur de cycle	Faites tourner le Sélecteur de cycle pour sélectionner le cycle souhaité. Le voyant s'allume en regard du nom du cycle correspondant.
<b>02</b> Affichage	Il affiche consignes et diagnostics tout en vous informant sur l'état du cycle et le temps restant.
<b>03</b> Temp.	<p>Appuyez plusieurs fois sur ce bouton pour faire défiler les différentes températures disponibles.</p> <ul style="list-style-type: none"> <li>• <b>Hot (Chaude)</b> : linge blanc, très sale et grand teint.</li> <li>• <b>Warm (Tiède)</b> : linge grand teint.</li> <li>• <b>Eco Warm (Tiède éco)</b> : linge moyennement sale, grand teint, la plupart des articles infroissables.</li> <li>• <b>Cool (Fraîche)</b> : linge très peu sale, couleurs vives.</li> <li>• <b>Cold (Froide)</b> : eau froide sans ajout d'eau tiède.</li> </ul> <p><b>REMARQUE</b></p> <ul style="list-style-type: none"> <li>• Si vous sélectionnez l'option Cold (Froide), tous les voyants pour les options de température de l'eau sont éteints.</li> <li>• <b>Extra Rinse (Rinçage intensif)</b> : Passez d'un mode de rinçage par pulvérisation à un mode de rinçage en profondeur. Maintenez le bouton Temp. enfoncé pendant 3 secondes.</li> </ul>

# Effectuer un lavage

<b>04</b> Water Level (Niveau d'eau)	Le niveau d'eau est réglé sur Extra High (Très élevée). Vous pouvez cependant choisir le niveau d'eau manuellement en appuyant sur ce bouton. <b>Spin Only (Essorage uniquement)</b> : Cycle d'essorage uniquement. Maintenez le bouton <b>Water Level (Niveau d'eau)</b> enfoncé pendant 3 secondes.
<b>05</b> POWER (MARCHE/ ARRÊT)	Appuyez une fois pour allumer le lave-linge. Appuyez une nouvelle fois pour éteindre le lave-linge. Si le lave-linge reste allumé pendant plus de 10 minutes sans qu'aucun bouton ne soit actionné, il s'éteint automatiquement.
<b>06</b> START/PAUSE (DÉPART/ PAUSE)	Appuyez sur ce bouton pour interrompre et relancer les programmes.

## Présentation des cycles

Programme	Description
NORMAL	Plupart des textiles (ex. : coton), linge de maison et linge moyennement sale.
HEAVY DUTY (GRAND RENDEMENT)	Linge très sale et textiles épais grand teint. Nous proposons d'utiliser cette fonction uniquement lorsque vous lavez beaucoup de vêtements très sales.
DEEP WASH (LAVAGE EN PROFONDEUR)	Utilisez une plus grande quantité d'eau pour le lavage et le rinçage. Nous recommandons de choisir ce cycle lorsque vous utilisez de l'adoucissant.
BEDDING / WATERPROOF (DRAPS / IMPERMÉABLES)	<p>Pour les articles volumineux et grands tels que les couvertures et les draps. Lorsque vous lavez des couettes, du linge imperméable ou résistant à l'eau, utilisez de la lessive liquide.</p> <p><b>⚠ ATTENTION</b></p> <ul style="list-style-type: none"> <li>✘ Ne lavez pas des articles imperméables et perméables ensemble.</li> <li>✘ Vérifiez l'étiquette de spécifications sur l'article en tissu pour voir s'il est imperméable ou non.</li> <li>✘ Utilisez le cycle BEDDING / WATERPROOF (DRAPS / IMPERMÉABLES) pour les articles imperméables ou résistants à l'eau, tels que les tapis en plastique, les pantalons de ski, les vêtements de pluie et les couettes qui absorbent difficilement l'eau.</li> </ul>

Programme	Description
QUICK WASH (LAVAGE EXPRESS)	vêtements peu sales dont vous avez besoin rapidement.
DELICATES (DÉLICAT)	Textiles transparents, soutien-gorge, lingerie fine, soie et autres textiles délicats à laver à la main. Pour de meilleurs résultats, utilisez de la lessive liquide.
RINSE + SPIN (RINÇAGE + ESSORAGE)	Linge ayant besoin d'un rinçage uniquement ou ajout d'un adoucissant dans le linge pour le rinçage.
SELF CLEAN (AUTO-NETTOYAGE)	Pour éliminer la saleté et toute accumulation dans le tambour. Une utilisation régulière (toutes les 20 lessives) est recommandée.

## Options

### Sécurité enfant

La sécurité enfant désactive le bouton **START/PAUSE (DÉPART/PAUSE)** lorsque le lave-linge est en marche. Cette fonction empêche les enfants de jouer avec le lave-linge.

#### Activation de la fonction Sécurité enfant

Maintenez simultanément enfoncés les boutons **Temp.** et **Water Level (Niveau d'eau)** pendant environ 3 secondes.

- La sécurité enfant désactive le bouton **START/PAUSE (DÉPART/PAUSE)** lorsque le lave-linge est en marche.
- Le voyant de la fonction Sécurité enfant clignote.

#### Utiliser la fonction Sécurité enfant

Lorsque la fonction Sécurité enfant est activée et que le couvercle est ouvert, la DEL **Hot (Chaude)** s'allume et une alarme retentit.

- Si le niveau d'eau dans la cuve est au-delà du niveau d'eau de sécurité, le voyant **Hot (Chaude)** s'allume sur l'écran LED et le lave-linge commence à se vidanger après 30 secondes.

- Si le niveau d'eau dans la cuve est au-delà du niveau d'eau de sécurité et si la fonction Sécurité enfant est activée alors que le hublot est ouvert, les voyants **Hot (Chaude)**, **Cool (Fraîche)**, **Extra High (Très élevée)** et **Low (Basse)** s'allument sur l'écran LED même si l'alimentation du lave-linge est coupée et ce dernier commence à se vidanger.
- Si l'alimentation est coupée et si le couvercle est ouvert alors que le niveau d'eau dans la cuve est au-dessus du niveau d'eau de réinitialisation, les voyants **Hot (Chaude)**, **Cool (Fraîche)**, **Extra High (Très élevée)** et **Low (Basse)** s'allument sur l'écran LED et le lave-linge commence à se vidanger. Lorsque l'opération de vidange est terminée, l'alimentation est automatiquement coupée à nouveau.
- Si vous activez la fonction Sécurité enfant pendant le fonctionnement du lave-linge, le bouton **START/PAUSE (DÉPART/PAUSE)** ne fonctionne pas.

# Effectuer un lavage

- Après la vidange obligatoire, les voyants **Hot (Chaude)**, **Cool (Fraîche)**, **Extra High (Très élevée)** et **Low (Basse)** clignotent toutes les secondes et l'appareil entre en mode **Hot (Chaude)**, **Cool (Fraîche)**, **Extra High (Très élevée)** et **Low (Basse)**. (Lorsque l'appareil est en mode **Hot (Chaude)**, **Cool (Fraîche)**, **Extra High (Très élevée)** et **Low (Basse)**, seul le bouton **POWER (MARCHE/ARRÊT)** fonctionne.)
- Pour annuler le mode **Hot (Chaude)**, **Cool (Fraîche)**, **Extra High (Très élevée)** et **Low (Basse)**, vous devez mettre l'appareil hors tension puis le rallumer.
- Pour annuler le mode **Hot (Chaude)**, désactivez la fonction Sécurité enfant. Pour désactiver la fonction Sécurité enfant, maintenez simultanément les boutons **Temp.** et **Water Level (Niveau d'eau)** enfoncés pendant au moins 3 secondes.

## REMARQUE

### Ajouter du linge lorsque la fonction Sécurité enfant est activée

Pour ajouter du linge, désactivez la fonction Sécurité enfant. Pour désactiver la fonction Sécurité enfant, maintenez simultanément les boutons **Temp.** et **Water Level (Niveau d'eau)** enfoncés pendant au moins 3 secondes. Reportez-vous à la section « **Option Pause** » en page 35 pour en savoir plus.

### Désactivation de la fonction Sécurité enfant

Maintenez simultanément les boutons **Temp.** et **Water Level (Niveau d'eau)** enfoncés pendant environ 3 secondes.

- Lorsque la fonction Sécurité enfant est désactivée, le voyant **Sécurité enfant** s'éteint.
- La fonction Sécurité enfant permet d'éviter que les enfants ou personnes handicapées ne fassent fonctionner involontairement le lave-linge et ne se blessent.

## AVERTISSEMENT

Si un enfant entre dans le lave-linge, il risque d'être piégé et d'étouffer.

## ATTENTION

- Une fois la fonction Sécurité enfant activée, elle reste active même si la machine est mise hors tension.
- L'ouverture forcée du couvercle peut endommager l'appareil ou provoquer des blessures.

## REMARQUE

Pour ajouter du linge après activation de la fonction Sécurité enfant, vous devez d'abord la désactiver.

---

## Laver du linge à l'aide du sélecteur de programme

---

Votre nouveau lave-linge vous simplifie la tâche grâce au système de contrôle automatique « Fuzzy Control » de Samsung. Lorsque vous choisissez un cycle, le lave-linge définit les options appropriées en matière de température, de temps et de vitesse de lavage.

1. Appuyez sur **POWER (MARCHE/ARRÊT)**.
2. Ouvrez le couvercle.
3. Chargez les articles un par un dans le tambour, sans les tasser ni surcharger le lave-linge.
4. Ajoutez de la lessive liquide (ou en poudre), de l'adoucissant et/ou un agent de blanchiment (si nécessaire) dans les compartiments appropriés. Reportez-vous à la section « Utilisation de la lessive » à la page 36.
5. Fermez le couvercle.
6. Utilisez le **Sélecteur de cycle** pour sélectionner le cycle approprié en fonction du type de linge : **NORMAL, HEAVY DUTY (GRAND RENDEMENT), DEEP WASH (LAVAGE EN PROFONDEUR), BEDDING / WATERPROOF (DRAPS / IMPERMÉABLES), QUICK WASH (LAVAGE EXPRESS), DELICATES (DÉLICAT)**, et **RINSE + SPIN (RINÇAGE + ESSORAGE)**.  
Le voyant correspondant au cycle sélectionné s'allume sur le panneau de commande.
7. À ce stade, vous pouvez contrôler la température de lavage, le nombre de cycles de rinçage, la vitesse d'essorage et l'heure différée en appuyant sur les boutons des options appropriées.
8. Appuyez sur le bouton **START/PAUSE (DÉPART/PAUSE)** et le lavage commence. L'indicateur de progression s'allume et le temps de lavage restant apparaît à l'écran.

### Option Pause

Pour retirer ou ajouter du linge, suivez les étapes suivantes :

1. Appuyez sur le bouton **START/PAUSE (DÉPART/PAUSE)** pour déverrouiller le couvercle.

#### REMARQUE

Le couvercle ne peut pas être ouvert lorsque l'eau est trop **CHAUDE**.

2. Retirez ou ajoutez du linge.
3. Fermez le couvercle, puis appuyez sur le bouton **START/PAUSE (DÉPART/PAUSE)** pour redémarrer le cycle de lavage.

#### REMARQUE

Si la fonction Sécurité enfant est activée, vous devez tout d'abord la désactiver. Reportez-vous à la page 33.

### Lorsque le cycle est terminé :

À la fin du cycle, le lave-linge s'arrête automatiquement.

1. Ouvrez le couvercle.
2. Sortez le linge.

# Effectuer un lavage

## ATC (Contrôle automatique de la température)

ATC est la fonction de contrôle qui permet au lave-linge de contrôler la température de l'eau grâce au capteur de température (thermistance).

### REMARQUE

En raison des nombreuses températures d'eau possibles en fonction de l'environnement du client (lieux froids, tièdes, diverses températures d'eau, réglages de la température de la résistance, etc.), la fonction ATC intégrée à notre lave-linge permet de maintenir un niveau de température de lavage donné afin d'obtenir les meilleures performances de lavage à chaque cycle.

### REMARQUE

Si vous sélectionnez le cycle **NORMAL**, ce cycle est le cycle de régulation et conforme à la norme UL. Étant donné que les nouveaux lave-linge doivent réduire la quantité d'énergie utilisée comme première priorité, les clients constateront que davantage d'eau froide est approvisionnée dans le lave-linge. Mais ceci est normal et ne présente aucun problème. Au cours de ces cycles de régulation, la température de l'eau chaude est similaire à celle acceptable pour l'eau d'un bain pour adulte et la température de l'eau tiède est similaire à celle agréable pour l'eau d'une piscine.

### REMARQUE

Si les clients souhaitent laver leur linge à des températures d'eau spécifiques, ils doivent choisir un cycle différent à chaque température (Hot (Chaude)/Warm (Tiède)/Eco Warm (Tiède éco)/Cool (Fraîche)).

## Utilisation de la lessive

Pour des résultats de lavage optimaux, utilisez une lessive haute efficacité telle que Tide HE, Wisk HE, Cheer HE ou Gain HE\*.

Les lessives haute efficacité contiennent des agents anti-mousse chargés de réduire, voire d'éliminer la mousse. Lorsqu'il y a moins de mousse, la charge tourne plus efficacement et le lavage est optimisé. (\* Les noms de marque sont des marques déposées de leurs fabricants respectifs.)

### AVERTISSEMENT

Pour un résultat optimal, utilisez uniquement une lessive HE. N'utilisez pas de lessive non labellisée HE, de lessive organique, de lessive naturelle ou de lessive HE avec des ingrédients naturels (comme du vinaigre ou du bicarbonate de soude).

### REMARQUE

Il est possible qu'une diminution de la quantité de lessive entraîne un lavage moins efficace. Pour plus d'efficacité, pré-traitez les taches, triezy soigneusement le linge en fonction des couleurs et du degré de salissure et évitez de surcharger le lave-linge.

---

## Fonctions

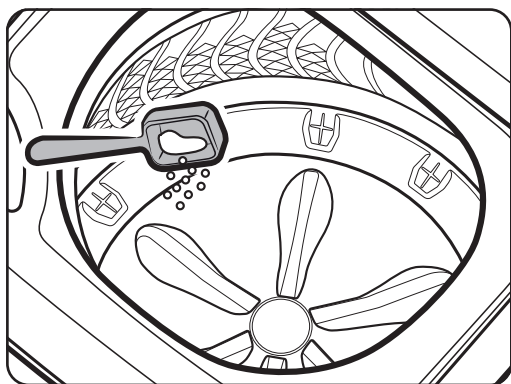
---

### Ajout de lessive

#### REMARQUE

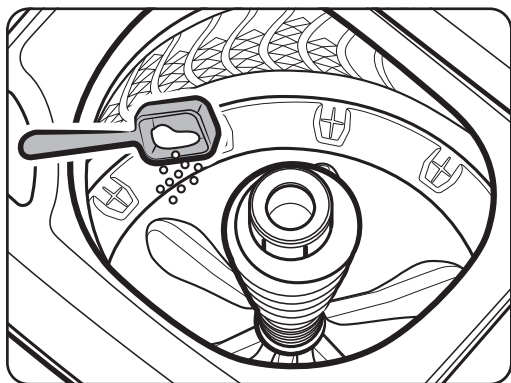
Respectez toujours les quantités prescrites par le fabricant de la lessive.

WA41A3\*\*\*A\*



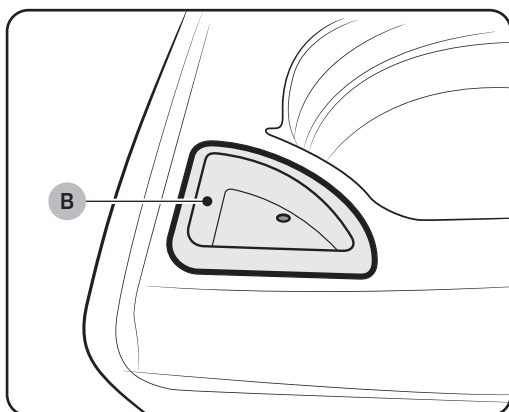
1. Ouvrez le couvercle.
2. Ajoutez la quantité recommandée de lessive liquide ou de lessive en poudre dans la cuve.
3. Insérez le linge dans la machine et fermez le couvercle.

WA40A3\*\*\*A\*



# Effectuer un lavage

## Chargement du bac à eau de Javel



### ⚠ ATTENTION

Utilisez uniquement de l'agent de blanchiment au chlore liquide.

1. Ajoutez de l'agent de blanchiment chloré dans le **compartment d'agent de blanchiment (B)**.  
NE remplissez PAS en excès le bac à eau de Javel.

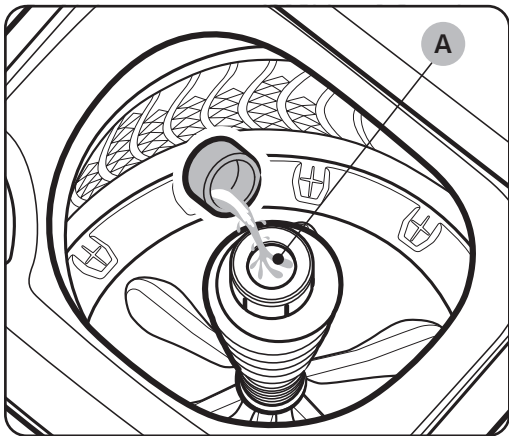
### 📄 REMARQUE

- Évitez de renverser du produit ou de trop remplir le compartiment.
- Ne versez jamais d'eau de Javel chlorée directement sur le linge ou dans le tambour. Ce produit chimique puissant peut endommager et décolorer les fibres s'il n'est pas utilisé correctement.
- Si vous préférez utiliser un produit anti-décoloration, ajoutez-le dans le bac approprié.

NE VERSEZ PAS le javellisant non décolorant dans le bac à eau de Javel.

---

## Chargement du compartiment à adoucissant (Modèles WA40A3\*\*\*A\* uniquement)



1. Versez la quantité recommandée d'adoucissant liquide dans le **compartiment d'adoucissant (A)**.
2. Versez de l'eau tiède dans le **compartiment d'adoucissant (A)** pour diluer l'adoucissant. Ne dépassez pas le trait de remplissage maximum.

### **REMARQUE**

- Si vous ne diluez pas l'adoucissant avec de l'eau, une obstruction risque de se produire.
- Sélectionnez **DEEP WASH (LAVAGE EN PROFONDEUR)** si vous utilisez de l'adoucissant.
- 3. L'adoucissant est automatiquement distribué dans la cuve, au moment approprié pendant le cycle de rinçage.

# Entretien de votre lave-linge

---

## **AVERTISSEMENT**

La mise à la terre de certaines pièces internes n'a volontairement pas été effectuée ; ces éléments peuvent donc présenter un risque d'électrocution (lors de l'entretien uniquement). Technicien de maintenance - Ne touchez pas les pièces suivantes lorsque l'appareil est sous tension : panneau de commande, dissipateur thermique, moteur, vanne d'arrivée d'eau, résistance et pompe.

## Nettoyer l'extérieur

---

1. Fermez les robinets d'arrivée d'eau après avoir terminé la lessive de la journée. Cela permettra de couper l'arrivée d'eau dans votre lave-linge et d'empêcher tout dégât des eaux potentiel. Laissez le couvercle ouvert pour permettre à l'intérieur de votre lave-linge de sécher.
2. Utilisez un chiffon doux pour essuyer les traces de lessive, d'agent de blanchiment ou d'autres produits sur les parois de la machine.
3. Conseils de nettoyage :  
Panneau de commande : nettoyez-le avec un chiffon doux et humide. N'utilisez pas de poudres abrasives ni de tampons à récurer. Ne vaporisez aucun produit d'entretien directement sur le panneau de commande.

## Nettoyer l'intérieur

---

Nettoyez régulièrement le tambour pour enlever la poussière, la saleté, les odeurs, les moisissures ou les bactéries qui pourraient s'y être accumulées après une lessive.

Le non-respect de ces instructions peut avoir des conséquences désagréables, comme le dégagement d'odeurs désagréables ou le transfert de traces indélébiles sur le lave-linge ou le linge.  
Éliminez les dépôts calcaires si besoin. Utilisez des produits adaptés aux lave-linge.

## Entreposage de votre lave-linge

---

Les lave-linge peuvent être endommagés si l'eau n'est pas retirée des tuyaux et des composants internes avant l'entreposage.

Avant d'entreposer votre lave-linge, procédez comme suit :

1. Sélectionnez le cycle Lavage Express et ajoutez un agent de blanchiment dans le compartiment d'eau de Javel. Faites fonctionner le lave-linge à vide.
2. Fermez les robinets d'eau et débranchez les tuyaux d'arrivée.
3. Débranchez votre lave-linge de l'alimentation électrique et laissez le couvercle du lave-linge ouvert pour aérer l'intérieur du tambour. Si votre lave-linge a été entreposé à des températures inférieures à 0 °C, attendez que l'eau gelée à l'intérieur dégèle avant de l'utiliser à nouveau.

---

## Protection du capot supérieur et du panneau avant

---

N'entreposez pas d'objets lourds (ex. : baril de lessive) ou à arêtes tranchantes sur le lave-linge. Ceci risquerait de rayer ou d'endommager le capot supérieur de la machine.

### REMARQUE

Les faces du lave-linge étant lisses et brillantes, elles sont sensibles aux rayures et aux coups. Évitez de les endommager lorsque vous utilisez le lave-linge.

## Nettoyage du compartiment d'adoucissant

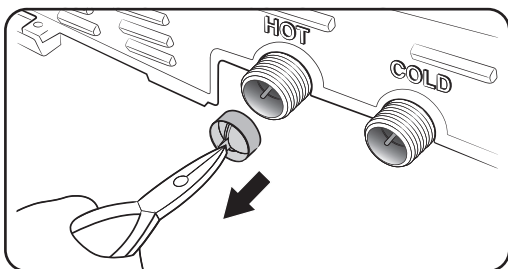
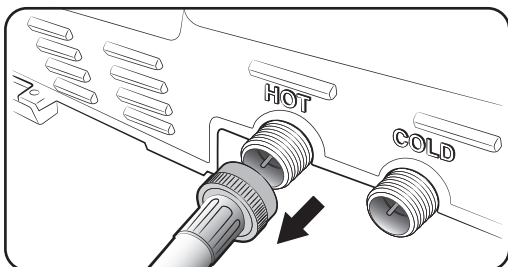
---

1. Versez 1 gallon US (3,85 litres) d'eau tiède dans le compartiment d'adoucissant.
2. Essuyer le haut du compartiment d'adoucissant à l'aide d'un chiffon doux.

# Entretien de votre lave-linge

## Nettoyer le filtre à maille

Nettoyez le filtre à maille du tuyau d'eau une fois ou deux par an.



1. Éteignez le lave-linge et débranchez le cordon d'alimentation.
2. Fermez le robinet.
3. Desserrez et débranchez le tuyau d'eau à l'arrière du lave-linge. Recouvrez le tuyau à l'aide d'un chiffon afin d'éviter que de l'eau ne coule à flots.
4. Utilisez une pince pour retirer le filtre à maille au niveau de la vanne d'arrivée d'eau.
5. Plongez le filtre à maille en profondeur dans de l'eau de sorte que le raccord fileté soit lui aussi submergé.
6. Faites sécher complètement le filtre à maille à l'ombre.
7. Réinstallez le filtre à maille dans la vanne d'arrivée d'eau et rebranchez le tuyau d'eau sur cette dernière.
8. Ouvrez le robinet.

### REMARQUE

Si le filtre à maille est colmaté, la DEL « Cool (Fraîche) » clignote sur l'écran du lave-linge.

---

## Auto-nettoyage

---

Certaines conditions d'utilisation et environnementales peuvent provoquer l'accumulation de résidus ou la formation d'odeurs dans la cuve du lave-linge. Pour éviter cette accumulation ou le développement de mauvaises odeurs et ainsi garder un tambour de lave-linge frais et propre, lancez le cycle SELF CLEAN (AUTO-NETTOYAGE) au moins une fois par mois ou tous les 20 cycles. Suivez la procédure recommandée ci-dessous lors de l'utilisation du cycle AUTO-NETTOYAGE.

1. Sortez tout le linge présent dans la cuve du lave-linge et assurez-vous que cette dernière est vide. Si vous laissez du linge dans la cuve pendant le cycle AUTO-NETTOYAGE, il risque d'être endommagé.
2. Appuyez sur **POWER (MARCHE/ARRÊT)**.
3. Tournez le **Sélecteur de cycle** sur **SELF CLEAN (AUTO-NETTOYAGE)**.
4. Appuyez sur **START/PAUSE (DÉPART/PAUSE)**. Le cycle AUTO-NETTOYAGE commence.

### REMARQUE

- La température de l'eau pour AUTO-NETTOYAGE est réglée par défaut sur Chaude. Cette température ne peut pas être modifiée.
- En cas de présence de résidus dans la cuve du lave-linge, ajoutez 1 tasse (8 oz liq. ou 240 ml) d'eau de Javel chlorée liquide dans le compartiment d'agent de blanchiment avant de lancer le cycle AUTO-NETTOYAGE. N'utilisez pas et ne mélangez pas d'autre produit de nettoyage ou produit chimique pendant le cycle AUTO-NETTOYAGE.
- Si nécessaire, lancez un cycle RINÇAGE + ESSORAGE une fois le cycle AUTO-NETTOYAGE terminé afin d'aider à éliminer le reste de résidus.

### ATTENTION

- Vérifiez la cuve du lave-linge avant d'utiliser le cycle AUTO-NETTOYAGE. Évacuez toute l'eau restant dans la cuve en lançant un cycle Essorage uniquement avant de démarrer le cycle AUTO-NETTOYAGE.
- Si vous laissez de l'eau de Javel chlorée dans la cuve du lave-linge pendant une période prolongée, de la rouille peut apparaître.

### Rappel AUTO-NETTOYAGE

- Après 20 cycles de lavage, l'icône de rappel AUTO-NETTOYAGE et le voyant du cycle AUTO-NETTOYAGE clignotent sur le panneau de commande pendant une heure, puis ils s'éteignent automatiquement.
- Le rappel apparaîtra sur le panneau de commande pendant 5 autres cycles consécutifs avant de s'éteindre. Le rappel suivant n'apparaîtra qu'une fois que vous aurez effectué 20 autres cycles.

# Dépannage

## Contrôles

Si vous rencontrez un problème avec le lave-linge, consultez d'abord le tableau ci-dessous et essayez les actions suggérées.

Problème	Action
Le lave-linge ne s'allume pas	<ul style="list-style-type: none"><li>Assurez-vous que vous utilisez la tension nominale nécessaire à cet appareil.</li><li>Assurez-vous que le cordon d'alimentation est correctement branché.</li><li>Vérifiez les fusibles ou réarmez le disjoncteur.</li></ul>
Le lave-linge ne démarre pas	<ul style="list-style-type: none"><li>Assurez-vous que le hublot est fermé.</li><li>Assurez-vous que les robinets d'eau sont ouverts.</li><li>Assurez-vous d'appuyer ou taper légèrement sur <b>START/PAUSE (DÉPART/PAUSE)</b> pour démarrer le lave-linge.</li><li>Assurez-vous que la Sécurité enfant n'est pas activée.</li><li>Avant de se remplir, votre lave-linge émet une série de cliquetis ; ces cliquetis indiquent qu'il vérifie que le hublot est bien verrouillé et qu'il effectue une vidange rapide.</li><li>Le hublot a-t-il été ouvert pendant le programme d'essorage ? Fermez le hublot et appuyez ou tapez légèrement sur le bouton <b>START/PAUSE (DÉPART/PAUSE)</b> pour reprendre.</li><li>Le lave-linge entre en veille ou il traite un programme de trempage. Veuillez patienter.</li><li>Vérifiez les fusibles ou réinitialisez le disjoncteur.</li></ul>

Problème	Action
L'eau n'arrive pas.	<ul style="list-style-type: none"> <li>• Assurez-vous d'avoir appuyé ou tapé légèrement sur le bouton <b>START/PAUSE (DÉPART/PAUSE)</b> après avoir sélectionné l'alimentation en eau.</li> <li>• Assurez-vous que les robinets d'eau sont ouverts.</li> <li>• La membrane de filtrage au niveau du raccord du tuyau d'arrivée d'eau est-elle obstruée ? Nettoyez la membrane de filtrage à l'aide d'une brosse à dents.</li> <li>• Y a-t-il une coupure d'eau ? En cas de coupure d'eau, fermez le robinet et éteignez le lave-linge.</li> <li>• Démêlez les tuyaux d'arrivée d'eau.</li> <li>• Ouvrez et fermez le hublot, puis appuyez ou tapez légèrement sur le bouton <b>START/PAUSE (DÉPART/PAUSE)</b>.</li> <li>• Si la pression d'eau est faible, le lancement du lavage peut être retardé.</li> <li>• Si le niveau d'eau n'est pas aussi haut que nécessaire ou inférieur au niveau prévu, utilisez le sélecteur de niveau pour ajuster le niveau.</li> </ul>
Le lave-linge vibre d'une manière excessive ou émet du bruit.	<ul style="list-style-type: none"> <li>• Assurez-vous que le lave-linge est installé sur un sol plan. Si le sol n'est pas plan, utilisez les pieds réglables pour ajuster le positionnement du lave-linge.</li> <li>• Assurez-vous que le lave-linge n'est en contact avec aucun autre objet.</li> <li>• Assurez-vous que la charge de linge est bien équilibrée.</li> <li>• Assurez-vous que le linge est réparti uniformément dans le lave-linge. Répartissez le linge uniformément et redémarrez la machine.</li> <li>• Assurez-vous que l'espace autour du lave-linge est libre de tout objet.</li> <li>• Un ronronnement est normalement émis durant le fonctionnement.</li> <li>• Des objets tels que des pièces de monnaie peuvent provoquer du bruit. Retirez ces objets du lave-linge après avoir terminé le lavage.</li> </ul>

# Dépannage

Problème	Action
Le lave-linge s'arrête.	<ul style="list-style-type: none"><li>• Branchez le cordon d'alimentation sur une prise électrique qui fonctionne.</li><li>• Vérifiez les fusibles ou réarmez le disjoncteur.</li><li>• Fermez le hublot et appuyez ou tapez légèrement sur le bouton <b>START/PAUSE (DÉPART/PAUSE)</b> pour démarrer le lave-linge. Pour des raisons de sécurité, le lave-linge n'essore pas tant que le hublot n'est pas fermé.</li><li>• Avant de se remplir, votre lave-linge émet une série de cliquetis ; ces cliquetis indiquent qu'il vérifie que le hublot est bien verrouillé et qu'il effectue une vidange rapide.</li><li>• Le programme peut comporter une phase de pause ou de trempage. Il se peut que le lave-linge se remette en marche après quelques minutes.</li><li>• Assurez-vous que les tamis des tuyaux d'arrivée au niveau des robinets ne sont pas colmatés. Nettoyez périodiquement les tamis.</li><li>• Ce problème survient temporairement en raison d'une faible tension et sera résolu lorsque l'alimentation sera restaurée.</li></ul>
La température de l'eau lors du remplissage est incorrecte.	<ul style="list-style-type: none"><li>• Ouvrez entièrement les deux robinets d'eau.</li><li>• Vérifiez le choix de la température.</li><li>• Assurez-vous que les tuyaux sont branchés sur les bons robinets. Rincez les canalisations d'eau.</li><li>• Débranchez les tuyaux et nettoyez les tamis. Les tamis des filtres des tuyaux peuvent être obstrués.</li><li>• Lors du remplissage du lave-linge, la température de l'eau est susceptible de varier car la fonction automatique de contrôle de la température vérifie la température de l'eau entrante. Ceci est tout à fait normal.</li><li>• Lors du remplissage du lave-linge, vous pouvez remarquer que de l'eau chaude et/ou froide passe par le distributeur alors qu'une température de lavage contraire est sélectionnée. Ceci est tout à fait normal ; ce phénomène est dû à la fonction de contrôle automatique de la température chargée d'établir la température de l'eau.</li></ul>

Problème	Action
Le hublot (couvercle) est verrouillé ou ne s'ouvre pas.	<ul style="list-style-type: none"> <li>• Pendant que le lave-linge est en marche, appuyez ou tapez légèrement sur <b>START/PAUSE (DÉPART/PAUSE)</b> pour arrêter le lave-linge.</li> <li>• Le mécanisme de verrouillage du hublot se débloque après quelques minutes.</li> </ul>
Le lave-linge ne se vidange pas et/ou n'essore pas.	<ul style="list-style-type: none"> <li>• Vérifiez les fusibles ou réarmez le disjoncteur.</li> <li>• Assurez-vous que la tension électrique est normale.</li> <li>• Assurez-vous que le lave-linge est branché.</li> <li>• Assurez-vous que le tuyau de vidange est orienté vers le bas. (Les modèles à vidange naturelle uniquement)</li> <li>• Assurez-vous que le tuyau de vidange n'est pas bouché.</li> <li>• Assurez-vous que le tuyau de vidange n'est pas emmêlé.</li> <li>• Démêlez tous les tuyaux. Si la vidange ne s'effectue pas, appelez le service de dépannage.</li> <li>• Fermez le hublot et appuyez ou tapez légèrement sur le bouton <b>START/PAUSE (DÉPART/PAUSE)</b>. Pour des raisons de sécurité, le lave-linge n'essore pas tant que le hublot n'est pas fermé.</li> </ul>
Le linge n'est pas essoré correctement.	<ul style="list-style-type: none"> <li>• Utilisez la vitesse de l'essorage High (Élevée) ou Extra High (Très élevée). (Modèles applicable uniquement)</li> <li>• Utilisez une lessive haute efficacité pour réduire la production de mousse.</li> <li>• La charge n'est pas assez importante. De petites charges (un ou deux articles) risquent de mal se répartir et donc de mal être essorées.</li> </ul>
De l'eau fuit du lave-linge.	<ul style="list-style-type: none"> <li>• Vérifiez que tous les raccordements des tuyaux sont bien serrés.</li> <li>• Assurez-vous que le joint en caoutchouc du tuyau d'arrivée d'eau est positionné correctement. Serrez fermement à nouveau.</li> <li>• Assurez-vous que l'extrémité du tuyau de vidange est bien insérée et fixée au système de vidange.</li> <li>• Éviter toute surcharge.</li> <li>• Utilisez une lessive haute efficacité pour empêcher la surproduction de mousse.</li> <li>• Assurez-vous que le tuyau d'arrivée d'eau n'est pas emmêlé.</li> <li>• Si l'arrivée d'eau est trop importante, il peut y avoir une fuite d'eau. Fermez légèrement le robinet d'eau.</li> <li>• Assurez-vous que l'eau ne fuit pas au niveau du robinet. En cas de fuite, réparez le robinet.</li> </ul>



# Dépannage

Problème	Action
Quantité de mousse trop importante	<ul style="list-style-type: none"><li>• Utilisez une lessive haute efficacité pour empêcher la surproduction de mousse.</li><li>• Réduisez la quantité de lessive pour les lavages à l'eau douce, les petites charges ou pour le linge peu sale.</li><li>• Il est vivement conseillé d'utiliser une lessive haute efficacité.</li></ul>
Le panier d'essorage ou le tuyau d'arrivée/de vidange est gelé.	<ul style="list-style-type: none"><li>• Utilisez de l'eau tiède pour débrancher le tuyau d'arrivée d'eau et le tuyau de vidange. Trempez-les dans de l'eau tiède.</li><li>• Remplissez le panier d'essorage avec de l'eau tiède, puis patientez durant environ 10 minutes.</li><li>• Posez une serviette chaude sur le raccord du tuyau de vidange.</li><li>• Rebranchez le tuyau d'arrivée d'eau et le tuyau de vidange, puis vérifiez si l'eau arrive correctement.</li></ul>
L'eau se vidange immédiatement.	<ul style="list-style-type: none"><li>• Assurez-vous que le tuyau de vidange n'est pas bouché et qu'il est suspendu au crochet qui lui est destiné. Remplissez d'eau à moitié le panier d'essorage et relancez le programme d'essorage.</li><li>• Soulevez l'extrémité du tuyau de vidange pour éviter que l'eau ne soit vidangée. Remplissez d'eau à moitié le panier d'essorage, puis lancez l'essorage après avoir libéré le tuyau de vidange.</li><li>• Assurez-vous que le tuyau de vidange est correctement installé. Reportez-vous à la section Installation de ce manuel d'utilisation et ajustez la position du tuyau de vidange en suivant les instructions.</li></ul>
Taches sur les vêtements.	<ul style="list-style-type: none"><li>• Sélectionnez un cycle approprié pour le linge. Utilisez le cycle Grand rendement pour les vêtements tachés.</li><li>• Ajoutez la quantité recommandée de lessive conformément aux instructions du fabricant de la lessive.</li><li>• Nettoyez régulièrement le filtre magique (s'il est fourni avec votre lave-linge).</li></ul>
Présence d'odeurs.	<ul style="list-style-type: none"><li>• De la mousse trop importante s'accumule dans les renforcements et peut entraîner de mauvaises odeurs.</li><li>• Exécutez des programmes de lavage pour stériliser de manière périodique.</li><li>• Séchez l'intérieur du lave-linge lorsqu'un programme est terminé.</li></ul>


Si un problème persiste, prenez contact avec un centre de service Samsung local.

## Codes d'erreur

Des codes d'erreur peuvent s'afficher pour vous indiquer le problème rencontré par le lave-linge.

Code	Signification
La DEL Hot (Chaude) clignote.	Le couvercle est ouvert lors du fonctionnement du lave-linge. <ul style="list-style-type: none"><li>• Fermez complètement le couvercle et relancez le programme.</li><li>• Si le code d'information subsiste, contactez le service clientèle.</li></ul>
La DEL Warm (Tiède) clignote.	Erreur de communication entre la carte de circuit imprimé secondaire et la carte de circuit imprimé principale. <ul style="list-style-type: none"><li>• Si le code d'information subsiste, contactez le service clientèle.</li></ul>
La DEL Eco Warm (Tiède éco) clignote.	Un bouton ne fonctionne pas correctement. <ul style="list-style-type: none"><li>• Si le code d'information subsiste, contactez le service clientèle.</li></ul>
La DEL Cool (Fraîche) clignote.	Le capteur de niveau d'eau ne fonctionne pas correctement.  <b>REMARQUE</b> Lorsque la DEL Cool (Fraîche) clignote, le lave-linge se vidange pendant 3 minutes. Pendant ce temps-là, le bouton <b>POWER (MARCHE/ARRÊT)</b> est indisponible. <ul style="list-style-type: none"><li>• Si le code d'information subsiste, contactez le service clientèle.</li></ul>
La DEL Extra High (Très élevée) clignote.	Impossible de remplir le lave-linge.  <b>REMARQUE</b> Lorsque la DEL Extra High (Très élevée) clignote, le lave-linge se vidange pendant 3 minutes. Pendant ce temps-là, le bouton <b>POWER (MARCHE/ARRÊT)</b> est indisponible. <ul style="list-style-type: none"><li>• Assurez-vous que les robinets d'eau sont complètement ouverts. Vérifiez que les tuyaux ne sont pas emmêlés.</li><li>• Vérifiez les tamis d'arrivée des tuyaux de remplissage.</li><li>• Si vous utilisez un système anti-inondation, débranchez-le et reliez les tuyaux d'arrivée d'eau directement à l'appareil.</li></ul> Vérifiez que le tuyau d'arrivée d'eau chaude est connecté. <ul style="list-style-type: none"><li>• Vous devez raccorder le tuyau d'arrivée d'eau chaude car de l'eau chaude est fournie par la fonction de contrôle automatique de la température (Auto Temperature Control (A.T.C.)).</li></ul>

# Dépannage

Code	Signification
La DEL High (Élevée) clignote.	<p>Le remplissage du lave-linge n'est pas suffisant.</p> <p> <b>REMARQUE</b></p> <p>Lorsque la DEL High (Élevée) clignote, le lave-linge se vidange pendant 3 minutes. Pendant ce temps-là, le bouton <b>POWER (MARCHÉ/ARRÊT)</b> est indisponible.</p> <ul style="list-style-type: none"><li>• Si le code d'information subsiste, contactez le service clientèle.</li></ul>
La DEL Mid (Moyenne) clignote.	<p>Une erreur a été détectée au niveau du capteur de niveau d'eau.</p> <p>Si le code d'information subsiste, contactez le service clientèle.</p>
La DEL Low (Basse) clignote.	<p>Votre lave-linge ne vidange pas. Cela peut également signifier que l'appareil a détecté une petite obstruction lors de la vidange.</p> <ul style="list-style-type: none"><li>• Suivez les étapes suivantes :</li></ul> <ol style="list-style-type: none"><li>1. Éteignez l'appareil et rallumez-le.</li><li>2. Sélectionnez seulement le cycle Spin Only (Essorage uniquement).</li><li>3. Appuyez sur le bouton <b>START/PAUSE (DÉPART/PAUSE)</b> pour vidanger l'eau. Si elle ne se vidange pas, contactez un centre de réparation.</li></ol>
Les DEL Hot (Chaude) et Warm (Tiède) clignotent.	<p>Une charge non-équilibrée empêche l'essorage.</p> <ul style="list-style-type: none"><li>• Rééquilibrez la charge, puis appuyez sur le bouton <b>START/PAUSE (DÉPART/PAUSE)</b>.</li></ul>
Les DEL Hot (Chaude) et Cool (Fraîche) clignotent.	<p>Le moteur ne fonctionne pas correctement.</p> <ul style="list-style-type: none"><li>• Relancez le cycle en appuyant sur le bouton <b>START/PAUSE (DÉPART/PAUSE)</b>.</li><li>• Si le code d'information subsiste, contactez le service clientèle.</li></ul>
Les DEL Hot (Chaude) et Cool (Fraîche) clignotent.	<p>Le capteur MEMS ne fonctionne pas correctement.</p> <ul style="list-style-type: none"><li>• Si le code d'information subsiste, contactez le service clientèle.</li></ul>
Les DEL Hot (Chaude) et Extra High (Très élevée) clignotent.	<p>La fonction Verrouillage du hublot ne fonctionne pas correctement.</p> <ul style="list-style-type: none"><li>• Fermez complètement le couvercle et relancez le programme.</li><li>• Si le code d'information subsiste, contactez le service clientèle.</li></ul>

---

Code	Signification
Les DEL Hot (Chaude) et High (Élevée) clignotent.	La fonction Verrouillage du hublot ne fonctionne pas correctement. <ul style="list-style-type: none"><li>• Fermez complètement le couvercle et relancez le programme.</li><li>• Si le code d'information subsiste, contactez le service clientèle.</li></ul>
Les DEL Hot (Chaude) et Mid (Moyenne) clignotent.	La thermistance ne fonctionne pas correctement. <ul style="list-style-type: none"><li>• Si le code d'information subsiste, contactez le service clientèle.</li></ul>
Les DEL Hot (Chaude) et Low (Basse) clignotent.	La température de l'eau fournie est trop élevée. <ul style="list-style-type: none"><li>• Assurez-vous que le robinet d'eau froide et le robinet d'eau chaude sont correctement raccordés.</li><li>• Si le code d'information subsiste, contactez le service clientèle.</li></ul>





Pour tout autre code non répertorié ci-dessus, appelez le 1-800-726-7864 (1-800-SAMSUNG).

# Caractéristiques techniques

## Tableau des symboles textiles

Les symboles suivants fournissent des conseils d'entretien des vêtements. Les étiquettes d'entretien des vêtements incluent des symboles relatifs au séchage, au blanchiment, au séchage et repassage ou au nettoyage à sec, le cas échéant. L'utilisation de ces symboles garantit la cohérence des informations entre les fabricants de vêtements (articles domestiques ou importés). Suivez les directives figurant sur l'étiquette d'entretien afin d'optimiser la durée de vie de votre linge et d'éviter des problèmes de lavage.

### Cycle de lavage

	NORMAL
	Infroissables / Infroissable / Anti-froissage
	Gentle / Délicat
	Lavage main

### Température de l'eau

...	Chaude
..	Tiède
.	Froide



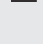
### REMARQUE

Il s'agit des températures appropriées de l'eau de lavage pour divers articles. Les niveaux de températures sont : Chaude (105 à 125 °F/41 à 52 °C), Tiède (85 à 105 °F/29 à 41 °C) et Froide (60 à 85 °F/16 à 29 °C). La température de l'eau de lavage doit être d'au moins 60 °F/16 °C pour activer les agents nettoyants et obtenir un lavage efficace.



Ces températures ne sont pas garanties car les températures réelles de l'eau entrant dans le lave-linge dépendent des réglages du chauffe-eau et de la température d'arrivée d'eau.

Exemple : en hiver, l'eau froide au robinet dans les pays du nord peut approcher les 40 °F / 4 °C, ce qui est trop froid pour un lavage efficace. Dans ce cas, la température de l'eau doit être réajustée en sélectionnant un réglage chaud, en ajoutant de l'eau chaude jusqu'au trait de remplissage maximum ou en utilisant l'option de chauffage du lave-linge, le cas échéant.




### Agent de blanchiment

	Tout type (si nécessaire)
	Agent de blanchiment non chloré (non décolorant) uniquement (si nécessaire)
	Séchage en machine

### NORMAL

	Infroissables / Infroissable / Anti-froissage
	Gentle / Délicat

### Instructions spéciales

	Séchage en suspension
	Séchage sans essorage
	Séchage à plat

## Température

	Élevée
	Moyenne
	Basse
	Toutes températures
	Sans chaleur / À l'air libre

## Nettoyage à sec

	Nettoyage à sec
	Pas de nettoyage à sec
	Séchage sur corde / en suspension
	Séchage sans essorage
	Séchage à plat

## Températures de repassage facile ou vapeur

	Élevée
	Moyenne
	Basse

## Symboles d'avertissement pour le lavage

	Ne pas laver
	Ne pas tordre
	Pas de chlorage
	Séchage en machine interdit
	Pas de vapeur (ajoutée au fer à repasser)
	Pas de repassage

# Caractéristiques techniques

---

## Respect de l'environnement

---

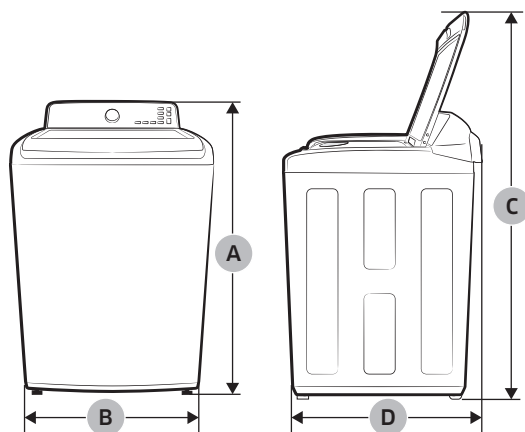
- Votre lave-linge a été fabriqué à partir de matériaux recyclables. Si vous décidez de vous en débarrasser, veuillez respecter les normes locales en matière de traitement des déchets. Coupez le cordon d'alimentation de façon à ce que l'appareil ne puisse pas être raccordé à une source électrique. Enlevez le couvercle pour que des animaux et des jeunes enfants ne se retrouvent pas piégés à l'intérieur de l'appareil.
- Ne dépassez pas les quantités de lessive préconisées par le fabricant de la lessive.
- N'utilisez de produits détachants et blanchissants avant le cycle de lavage qu'en cas de nécessité.
- Économisez de l'eau et de l'électricité en ne faisant tourner que des charges pleines (la charge exacte dépend du cycle utilisé).

## Déclaration de conformité

---

Cet appareil est conforme à la norme UL2157.

## Fiche de caractéristiques techniques



Type		Lave-linge à chargement par le haut	
Nom du modèle		WA41A3***A*	WA40A3***A*
Capacité (en pieds cubes)		4,1	4,0
Dimensions (pouces (cm))	A. Hauteur	43,9 (111,7)	
	B. Largeur	27,0 (68,6)	
	C. Hauteur, couvercle ouvert	59,3 (150,5)	
	D. Profondeur	29,3 (74,4)	
Pression d'eau (psi (kPa))		20 à 116 (137 à 800)	
Poids net (kg (lb))		57,0 (125,7)	
Vitesse d'essorage		700 tr/min	
Puissance de chauffe	Lavage	120 V	700 W
	Essorage		400 W
	Vidange		80 W

### REMARQUE

Vous pouvez remplir le tambour de vêtements secs non pliés, mais **NE LE SURCHARGEZ PAS**.

# Caractéristiques techniques

## Tableau des cycles

Utilisez ce tableau afin de définir les cycles et options les mieux adaptés à votre linge.

### REMARQUE

Réglage	Temp.	Water Level (Niveau d'eau)
● : réglage d'usine	H : Hot (Chaude)	EH : Extra High (Très élevée)
● : peut être sélectionné	W : Warm (Tiède)	H : High (Élevée)
	EW : Eco Warm (Tiède éco)	M : Mid (Moyenne)
	C : Cool (Fraîche)	L : Low (Basse)
	CD : Cold (Froide)	AL : Auto Level (Niveau automatique)

Cycle	Fonctions										Option	
	Temp.					Water Level (Niveau d'eau)					Extra Rinse (Rinçage intensif)	Spin Only (Essorage uniquement)
	H	W	EW	C	CD	EH	H	M	L	AL		
NORMAL	●	●	●	●	●	●	●	●	●	●	●	●
HEAVY DUTY (GRAND RENDEMENT)	●	●	●	●	●	●	●	●	●	●	●	●
DEEP WASH (LAVAGE EN PROFONDEUR)	●	●	●	●	●	●	●	●			●	●
BEDDING / WATERPROOF (DRAPS / IMPERMÉABLES)	●	●	●	●	●	●	●	●	●		●	●
QUICK WASH (LAVAGE EXPRESS)	●	●	●	●	●	●	●	●	●		●	●
DELICATES (DÉLICAT)		●	●	●	●	●	●	●	●		●	●
RINSE + SPIN (RINÇAGE + ESSORAGE)						●	●	●	●		●	●
SELF CLEAN (AUTO-NETTOYAGE)	●						●					

# GARANTIE LIMITÉE (ÉTATS-UNIS)

---

## LAVE-LINGE SAMSUNG

---

### **GARANTIE LIMITÉE POUR L'ACHETEUR-CONSOUMMATEUR INITIAL AVEC PREUVE D'ACHAT ET/OU PREUVE DE LIVRAISON**

Ce produit de la marque SAMSUNG, fourni, distribué par SAMSUNG ELECTRONICS AMERICA, INC. (SAMSUNG) et livré neuf à l'acheteur-consommateur initial, dans son emballage d'origine, s'accompagne d'une garantie de SAMSUNG contre tout vice de fabrication au niveau des pièces et de la main d'œuvre pendant les périodes limitées suivantes, commençant à la date de livraison à l'acheteur-consommateur initial :

Pièces et main-d'œuvre : un (1) an

Pièces de la cuve en acier inoxydable (pièces uniquement) : trois (3) ans

Moteur de lavage en fonction du type de moteur

- Pièces du moteur MIN (moteur de l'inverseur numérique) de lavage (pièces uniquement) :
  - Vingt (20) ans
- Pièces du moteur CA de lavage (pièces uniquement) :
  - Cinq (5) ans

La présente garantie limitée ne s'applique qu'aux appareils achetés et utilisés aux États-Unis et ayant été installés, utilisés et entretenus conformément aux instructions jointes ou fournies avec l'appareil. Pour bénéficier d'une intervention dans le cadre de la présente garantie, l'acheteur doit contacter la société SAMSUNG à l'adresse ou au numéro de téléphone indiqués ci-dessous, afin qu'elle détermine l'origine du problème et une procédure de réparation. Les services de garantie peuvent être pris en charge uniquement par un centre de service agréé SAMSUNG. Lors de la remise d'un appareil défectueux à SAMSUNG ou à un centre de dépannage agréé SAMSUNG, l'acheteur est tenu de présenter la facture d'achat datée originale et/ou une preuve de livraison sur demande, pour pouvoir bénéficier d'une intervention dans le cadre de la présente garantie.

SAMSUNG assurera gratuitement un service à domicile au sein des États-Unis contigus durant la période de garantie, sous réserve de disponibilité des techniciens agréés SAMSUNG au sein de la zone géographique du client. Si le service à domicile n'est pas disponible, SAMSUNG peut, à sa propre discrétion, choisir de prendre à sa charge le transport aller/retour du produit vers un centre de service agréé. Si l'appareil se trouve dans une zone où le service par un technicien agréé SAMSUNG n'est pas disponible, il se peut que vous deviez prendre en charge des frais de transport ou transporter l'appareil vers un centre de service agréé SAMSUNG pour le faire réparer.

Pour bénéficier du service à domicile, l'appareil doit être situé dans un emplacement accessible à notre personnel.

# GARANTIE LIMITÉE (ÉTATS-UNIS)

---

Durant la période de garantie applicable, un appareil sera réparé, remplacé ou son prix d'achat remboursé, à la seule discrétion de SAMSUNG. Il se peut que SAMSUNG utilise des pièces neuves ou reconditionnées pour réparer un appareil, ou remplace l'appareil par un produit neuf ou reconditionné. SAMSUNG peut également remplacer toute pièce couverte par la présente garantie par une pièce neuve ou reconditionnée. Les pièces et appareils de rechange sont garantis pendant la partie restante de la période de garantie initiale de l'appareil, ou bien durant quatre-vingt-dix (90) jours, selon la période qui est la plus longue. Toutes les pièces et tous les produits remplacés sont la propriété de SAMSUNG et vous devez les retourner à SAMSUNG.

La présente garantie limitée couvre les vices de fabrication au niveau des pièces et de la main d'œuvre identifiés dans le cadre de l'utilisation domestique ou non-commerciale normale de l'appareil en question. Elle ne peut pas couvrir les choses suivantes : les dommages survenus lors de l'expédition, la livraison, l'installation et les utilisations prévues de cet appareil ; les dommages causés par une modification ou altération non autorisée de l'appareil ; les appareils dont les numéros de série d'origine apposés en usine ont été retirés, dégradés ou modifiés d'une quelconque façon ou encore difficilement lisibles ; les dommages esthétiques notamment rayures, piqûres, éclats et autres dommages sur la finition de l'appareil ; les dommages causés par un abus, une mauvaise utilisation, des infestations d'insectes, un accident, un incendie, une inondation ou d'autres catastrophes naturelles ou cas de force majeure ; les dommages causés par l'utilisation d'équipements, d'alimentations, de services, de pièces, de fournitures, d'accessoires, d'applications, d'installations, de réparations, de câblages externes ou connecteurs qui n'ont pas été fournis ou autorisés par SAMSUNG ; les dommages causés par un courant, une tension ou des fluctuations de courant incorrects ou par des surtensions ; les dommages causés par une utilisation et un entretien de l'appareil non conformes aux instructions ; les dommages liés à une instruction fournie à domicile concernant l'utilisation de votre appareil ; et une réparation visant à rectifier une installation n'étant pas conforme aux normes de branchements électriques et de plomberie, ou la correction des branchements électriques ou de plomberie (c.-à-d. câblage du domicile, fusibles, ou tuyaux d'arrivée d'eau). Le coût des réparations ou du remplacement dans le cadre de ces circonstances faisant l'objet d'une exclusion sera à la charge du client.

Les interventions d'un technicien de maintenance agréé destinées à expliquer les fonctions, la maintenance ou l'installation ne sont pas couvertes par la présente garantie limitée. Veuillez prendre contact avec Samsung, au numéro indiqué ci-dessous, pour obtenir de l'aide sur l'un de ces problèmes.

## EXCLUSION DES GARANTIES IMPLICITES

LES GARANTIES IMPLICITES, Y COMPRIS LES GARANTIES IMPLICITES DE QUALITÉ MARCHANDE OU D'ADÉQUATION À UN USAGE PARTICULIER, SONT LIMITÉES À UN AN OU À LA PLUS COURTE PÉRIODE AUTORISÉE PAR LA LOI. Certains États n'autorisent pas les limitations de durée d'une garantie implicite ; il se peut donc que les limitations ou exclusions spécifiées ci-dessus ne s'appliquent pas à votre cas. La présente garantie vous octroie des droits spécifiques, ainsi que d'autres variant d'un État à un autre.

---

## LIMITE DE RECOURS

VOTRE SEUL RECOURS EXCLUSIF EST UNE RÉPARATION DE L'APPAREIL, UN REMPLACEMENT DE L'APPAREIL OU UN REMBOURSEMENT DU PRIX D'ACHAT, À LA DISCRÉTION DE SAMSUNG, COMME ACCORDÉ DANS LE CADRE DE LA PRÉSENTE GARANTIE LIMITÉE. SAMSUNG NE POURRA ÊTRE TENUE RESPONSABLE DES DOMMAGES PARTICULIERS, ACCESSOIRES OU IMMATÉRIELS, NOTAMMENT MAIS SANS POUR AUTANT S'Y LIMITER LES TEMPS DE TRAJET DEPUIS LE LIEU DE TRAVAIL, LES FRAIS D'HÔTEL ET/OU REPAS EN RESTAURANT, LES DÉPENSES DE RÉNOVATION, LES PERTES DE REVENUS OU DE BÉNÉFICES, L'IMPOSSIBILITÉ DE RÉALISER DES ÉCONOMIES OU AUTRES BÉNÉFICES QUELLE QUE SOIT LA THÉORIE JURIDIQUE SUR LAQUELLE LA RÉCLAMATION EST FONDÉE, ET CE MÊME SI SAMSUNG A ÉTÉ AVERTI DE LA POSSIBILITÉ DE TELS DOMMAGES. Certains États n'autorisent pas les exclusions ou limitations relatives aux dommages accessoires ou immatériels ; il se peut donc que les limitations ou exclusions spécifiées ci-dessus ne s'appliquent pas à votre cas. La présente garantie vous octroie des droits spécifiques, ainsi que d'autres variant d'un État à un autre.

SAMSUNG ne garantit pas que l'appareil sera exempt de tout problème ou qu'il fonctionnera sans interruption. Aucune garantie, donnée par toute autre personne, entreprise ou société quant à cet appareil, ne pourra être considérée comme un engagement pour SAMSUNG.

Pour bénéficier d'un service d'assistance couvert par votre garantie, contactez SAMSUNG à l'adresse suivante :

**Samsung Electronics America, Inc.**  
85 Challenger Road  
Ridgefield Park, NJ 07660  
1-800-SAMSUNG (726-7864)  
[www.samsung.com/us/support](http://www.samsung.com/us/support)

# Garantie (CANADA)

---

## LAVE-LINGE SAMSUNG

---

### GARANTIE LIMITÉE POUR L'ACHETEUR INITIAL

Ce produit de la marque SAMSUNG, fourni, distribué par SAMSUNG ELECTRONICS CANADA, INC. (SAMSUNG) et livré neuf, s'accompagne d'une garantie de SAMSUNG contre tout vice de fabrication au niveau des pièces et de la main-d'œuvre pendant une période limitée de :

Pièces et main-d'œuvre : un (1) an

Moteur de lavage en fonction du type de moteur

- Pièces du moteur MIN (moteur de l'inverseur numérique) de lavage (pièces uniquement) :
  - Vingt (20) ans
- Pièces du moteur CA de lavage (pièces uniquement) :
  - Cinq (5) ans

Cette limite de garantie s'applique à compter de la date d'acquisition et couvre uniquement les produits achetés et utilisés au Canada. Pour bénéficier de réparations dans le cadre de la présente garantie, l'acheteur doit contacter la société SAMSUNG afin qu'elle détermine l'origine du problème et une procédure de réparation. Les services de garantie peuvent être pris en charge uniquement par un centre de service agréé SAMSUNG. Lors de la remise d'un produit défectueux à SAMSUNG ou à un centre de service agréé SAMSUNG, l'acheteur est tenu de présenter le coupon d'achat d'origine à la demande des intéressés à titre de preuve d'achat. SAMSUNG assurera un service de réparation gratuit à domicile pendant la période de garantie sujet à la disponibilité au Canada. Le service à domicile n'est pas disponible pour toutes les zones.

Pour bénéficier du service à domicile, l'appareil doit être situé dans un emplacement accessible à notre personnel. Si ce service n'est pas disponible, SAMSUNG peut choisir de prendre à sa charge le transport aller/retour du produit vers un centre de service agréé.

---

La société SAMSUNG prendra en charge, à sa convenance, la réparation, le remplacement ou le remboursement du produit tel que stipulé dans les présentes conditions et procédera au remplacement ou au reconditionnement des pièces ou des produits si ces derniers s'avèrent défectueux dans la limite de la période de garantie mentionnée précédemment. Toutes les pièces et tous les produits remplacés deviennent la propriété de SAMSUNG et doivent être retournés à SAMSUNG. Les pièces de rechange et les produits sont couverts pour la période restante de garantie ou quatre-vingt-dix (90) jours, si la période de garantie est inférieure à 90 jours. La garantie limitée couvre les vices de fabrication relatifs aux matériaux et à la qualité d'exécution survenus dans le cadre d'une utilisation normale et non commerciale du produit et ne s'applique pas aux causes suivantes, comprenant, mais ne se limitant pas à : tout dommage survenant au cours de l'expédition, de la livraison et de l'installation ; toute utilisation de l'appareil contraire au but auquel il était destiné ; tout numéro de produit ou de série effacé ; tout dommage du revêtement extérieur ou de l'aspect du produit ; tout dommage causé par un accident, une utilisation non conforme, une négligence, un incendie ou une inondation, la foudre ou une autre catastrophe naturelle ; toute utilisation de produits, d'équipements, de systèmes, d'appareils, de services, de pièces, de fournitures, d'accessoires, d'applications, d'installations, de réparations, de câblages externes ou de connecteurs non fournis ou autorisés par SAMSUNG et susceptibles d'endommager ledit appareil ou de nuire à son fonctionnement ; toute surtension, fluctuation ou tension de ligne électrique incorrecte ; tout réglage effectué par l'acheteur et tout non-respect des consignes d'utilisation, de maintenance et de respect de l'environnement couvertes ou prescrites dans le présent carnet d'entretien ; tout démontage ou toute réinstallation de l'appareil ; tout problème résultant d'une prolifération d'insectes nuisibles.

Cette garantie limitée ne couvre pas les problèmes résultant d'un courant, d'une tension ou d'une alimentation électrique incorrects, ainsi que d'ampoules électriques, de fusibles ou de câblage domestiques inappropriés. Elle ne couvre pas non plus le coût des appels au service d'assistance pour obtenir des instructions ou la réparation des erreurs d'installation. SAMSUNG ne garantit pas que l'appareil sera exempt de tout problème ou qu'il fonctionnera sans interruption.

SAUF EXCEPTION MENTIONNÉE DANS LE PRÉSENT DOCUMENT, SAMSUNG NE FOURNIT AUCUNE GARANTIE EXPRESSE OU IMPLICITE QUANT À CET APPAREIL, Y COMPRIS, MAIS SANS S'Y LIMITER, LES GARANTIES IMPLICITES DE QUALITÉ MARCHANDE, DE CONTREFAÇON OU D'APTITUDE À UN USAGE PARTICULIER.

AUCUNE GARANTIE, QU'ELLE SOIT DONNÉE PAR UN TIERS, UNE ENTREPRISE OU UNE PERSONNE MORALE, NE POURRA ÊTRE CONSIDÉRÉE COMME UN ENGAGEMENT VIS-À-VIS DE SAMSUNG. SAMSUNG NE SERA AUCUNEMENT RESPONSABLE EN CAS DE PERTE DE BÉNÉFICES, DE MANQUE À GAGNER, D'INCAPACITÉ À RÉALISER DES ÉCONOMIES OU TOUT AUTRE AVANTAGE FINANCIER OU D'AUTRES DOMMAGES SPÉCIAUX, ACCESSOIRES OU INDIRECTS RÉSULTANT DE L'UTILISATION OU D'UNE MAUVAISE UTILISATION DE CET APPAREIL OU D'UNE INCAPACITÉ À UTILISER CET APPAREIL, QUELLE QUE SOIT LA BASE JURIDIQUE INVOQUÉE POUR JUSTIFIER L'ASSERTION ET MÊME SI SAMSUNG A ÉTÉ AVISÉ DE L'ÉVENTUALITÉ DE TELS DOMMAGES.

# Garantie (CANADA)

---

LES INDEMNITÉS FINANCIÈRES EXIGÉES AUPRÈS DE SAMSUNG NE POURRONT EN AUCUN CAS EXCÉDER LE PRIX D'ACHAT DU PRODUIT VENDU PAR SAMSUNG ET À L'ORIGINE DES DOMMAGES INVOQUÉS. SANS LIMITATION AUX DISPOSITIONS SUSDITES, L'ACHETEUR ASSUME TOUS LES RISQUES ET TOUTES LES RESPONSABILITÉS EN CAS DE PERTE, DE DOMMAGES OU DE BLESSURES ÉVENTUELLES INFLIGÉS À L'ACHETEUR ET AUX BIENS DE CELUI-CI ET À TOUTE AUTRE PERSONNE ET AUX BIENS DE CELLE-CI RÉSULTANT DE L'UTILISATION OU DE LA MAUVAISE UTILISATION DE L'APPAREIL OU DE L'INCAPACITÉ À L'UTILISER. CETTE GARANTIE LIMITÉE N'EST VALABLE POUR PERSONNE D'AUTRE QUE L'ACHETEUR INITIAL DU PRODUIT, N'EST PAS TRANSFÉRABLE ET ÉNONCE VOTRE RECOURS EXCLUSIF.

Certaines provinces n'autorisent pas de limitations quant à la durée des garanties implicites ni l'exclusion ou la limitation de dommages accessoires ou indirects ; il se peut par conséquent que les limitations et exclusions énoncées ci-dessus ne s'appliquent pas à votre cas. La présente garantie vous octroie des droits spécifiques, ainsi que d'autres variant d'une province à une autre.

Pour bénéficier d'un service d'assistance couvert par votre garantie, contactez SAMSUNG à l'adresse suivante :

**Samsung Electronics Canada Inc.**

2050 Derry Road West

Mississauga, Ontario L5N 0B9 Canada

1-800-SAMSUNG (726-7864)

[www.samsung.com/ca/support](http://www.samsung.com/ca/support) (English)

[www.samsung.com/ca\\_fr/support](http://www.samsung.com/ca_fr/support) (French)

Les visites des techniciens de maintenance destinées à expliquer les fonctions, la maintenance ou l'installation ne sont pas couvertes par la garantie.

Veillez contacter votre agent d'appel Samsung pour obtenir de l'aide sur l'une de ces questions.

# Mémo

---



Scan the QR code\* or visit  
[www.samsung.com/spsn](http://www.samsung.com/spsn)  
to view our helpful  
How-to Videos and Live Shows

\*Requires reader to be installed on your smartphone

Scan this with your smartphone

## DES QUESTIONS OU DES COMMENTAIRES ?

PAYS	APPELEZ LE	OU RENDEZ-VOUS SUR LE SITE
U.S.A	1-800-SAMSUNG (726-7864)	<a href="http://www.samsung.com/us/support">www.samsung.com/us/support</a>
CANADA	1-800-SAMSUNG(726-7864)	<a href="http://www.samsung.com/ca/support">www.samsung.com/ca/support</a> (English) <a href="http://www.samsung.com/ca_fr/support">www.samsung.com/ca_fr/support</a> (French)



DC68-03850F-05

Lavadora

# Manual del usuario

---

WA40A3\*\*\*A\* / WA41A3\*\*\*A\*

---

**SAMSUNG**

# Contenido

---

<b>Información sobre seguridad</b>	<b>4</b>
Lo que necesita saber sobre las instrucciones de seguridad	4
Símbolos de seguridad importantes	4
ADVERTENCIA SOBRE LA PROPOSITION 65 DE CALIFORNIA	5
INSTRUCCIONES DE SEGURIDAD IMPORTANTES	5
<b>Instalación</b>	<b>13</b>
Desempaque de la lavadora	13
Descripción general de la lavadora	14
Requisitos básicos acerca de la ubicación	16
Nota importante para el instalador	20
Instalación paso a paso	21
<b>Instrucciones de funcionamiento</b>	<b>28</b>
Cómo cargar la lavadora	28
Cómo comenzar	30
<b>Lavado de una carga de ropa</b>	<b>31</b>
Panel de control	31
Descripción de los ciclos	32
Opciones	33
Lavado de prendas con el selector de ciclos	35
ATC (control automático de la temperatura)	36
Uso del detergente	36
Características	37

---

<b>Mantenimiento de la lavadora</b>	<b>40</b>
Limpeza del exterior	40
Limpeza del interior	40
Cómo guardar la lavadora	40
Mantenimiento de la cubierta superior y del marco frontal	41
Limpeza del compartimento para el suavizante	41
Limpeza del filtro de malla	42
Lavado eco de tambor	43
<b>Solución de problemas</b>	<b>44</b>
Verificaciones	44
Códigos de información	49
<b>Especificaciones</b>	<b>52</b>
Tabla de indicaciones sobre telas	52
Ayuda al medioambiente	54
Declaración de conformidad	54
Hoja de especificaciones	55
Tabla de ciclos	56

# Información sobre seguridad

---

Felicitaciones por la compra de la nueva lavadora Samsung. Este manual contiene información importante acerca de la instalación, el uso y el cuidado del electrodoméstico. Lea detenidamente estas instrucciones a fin de aprovechar al máximo los múltiples beneficios y funciones de la lavadora.

## Lo que necesita saber sobre las instrucciones de seguridad

---

Lea este manual detenidamente para aprender a utilizar con seguridad y eficacia todas las características y funciones de su nuevo electrodoméstico. Conserve el manual en un lugar seguro cerca del electrodoméstico para consultas futuras. Utilice este electrodoméstico solo para el propósito para el que fue destinado como se describe en este manual.

Las advertencias y las instrucciones de seguridad importantes de este manual no cubren todas las posibles condiciones y situaciones que pueden ocurrir. Es su responsabilidad actuar con sentido común, precaución y cuidado cuando instale, realice el mantenimiento y ponga en funcionamiento la lavadora. Puesto que las siguientes instrucciones de funcionamiento sirven para varios modelos, las características de su lavadora pueden diferir ligeramente de las que se describen en este manual y es posible que no todos los signos de advertencia sean aplicables. Si tiene alguna consulta o duda, comuníquese con el centro de servicio más cercano o busque ayuda e información en línea en [www.samsung.com](http://www.samsung.com).

## Símbolos de seguridad importantes

---

Los íconos y las señales incluidas en este manual del usuario significan lo siguiente:

### **ADVERTENCIA**

Peligros o prácticas inseguras que podrían causar lesiones físicas graves, la muerte o daños materiales.

### **PRECAUCIÓN**

Peligros o prácticas inseguras que podrían causar lesiones físicas o daños materiales.

### **NOTA**

Indica que existe el riesgo de lesiones físicas o daños materiales.

# CONSERVE ESTAS INSTRUCCIONES

Estas señales de advertencia están aquí para evitar que usted u otras personas sufran lesiones. Siga las instrucciones completamente.

Después de leer este manual, guárdelo en un lugar seguro para consultas futuras.

Lea todas las instrucciones antes de usar el electrodoméstico.

Al igual que con cualquier equipo que usa electricidad y contiene piezas móviles, existen riesgos potenciales. Para usar este electrodoméstico en forma segura, familiarícese con su funcionamiento y úselo con cuidado.

## ADVERTENCIA SOBRE LA PROPOSITION 65 DE CALIFORNIA

### **ADVERTENCIA**

Cáncer y Daño Reproductivo - [www.P65Warnings.ca.gov](http://www.P65Warnings.ca.gov).

## INSTRUCCIONES DE SEGURIDAD IMPORTANTES

### **ADVERTENCIA**

Para reducir el riesgo de incendio, descarga eléctrica o lesiones físicas cuando usa este electrodoméstico, siga las instrucciones de seguridad básicas que figuran a continuación:

1. Lea todas las instrucciones antes de usar este electrodoméstico.
2. No lave ni seque prendas que se han limpiado, lavado, remojado o salpicado previamente con gasolina, solventes de limpieza en seco u otras sustancias inflamables o explosivas, ya que emiten vapores que pueden encenderse o explotar.
3. No permita que los niños jueguen sobre el electrodoméstico ni dentro de él. Se requiere de supervisión cuando el electrodoméstico es utilizado cerca de los niños.
4. Antes de descartar el electrodoméstico o de trasladarlo para que se le efectúe un servicio técnico, retire la tapa del compartimiento de la lavadora o la secadora.
5. No introduzca la mano en el electrodoméstico si la tina está en movimiento.
6. No instale ni almacene este electrodoméstico donde quede expuesto a los factores climáticos.
7. No modifique los controles.

## CONSERVE ESTAS INSTRUCCIONES

# Información sobre seguridad

---

8. No repare, reemplace ni intente realizar el mantenimiento de cualquier pieza del electrodoméstico salvo que esté recomendado específicamente en las instrucciones de mantenimiento del usuario o en las instrucciones de reparación para el usuario publicadas y que, a su juicio, usted tenga la habilidad para llevarlas a cabo.
9. No agregue gasolina, solventes de limpieza en seco u otras sustancias inflamables o explosivas al agua del lavado. Estas sustancias emiten vapores que pueden encenderse o explotar.
10. En ciertas circunstancias, puede producirse gas hidrógeno en un sistema de agua caliente que no se ha usado durante 2 semanas o más. **EL GAS HIDRÓGENO ES EXPLOSIVO.** Si el sistema de agua caliente no fue utilizado durante 2 semanas o más, antes de usar la lavadora, o la lavadora y la secadora combinadas, abra todas las llaves del agua caliente y deje correr el agua por varios minutos. De esta manera, se eliminará el gas hidrógeno acumulado. Dado que el gas es inflamable, no fume ni use una llama abierta en ese momento.

## Advertencias fundamentales para la instalación

---

### **ADVERTENCIA**

Enchufe el cable de alimentación en un tomacorriente de pared de 120 V CA / 60 Hz categorizado en 15 A o más. Utilice el tomacorriente solo con este electrodoméstico. No use un cable prolongador.

- Compartir el tomacorriente de pared con otros electrodomésticos, utilizando un multicontacto o prolongando el cable de alimentación, puede provocar una descarga eléctrica o un incendio.
- No utilice un transformador eléctrico. Puede provocar una descarga eléctrica o un incendio.
- Asegúrese de que el voltaje, la frecuencia y la corriente coincidan con las especificaciones del producto. De lo contrario, se puede provocar una descarga eléctrica o un incendio.

Este electrodoméstico debe ser instalado por un técnico calificado o una empresa de servicios.

- De lo contrario, se puede provocar una descarga eléctrica, un incendio, una explosión, problemas con el producto o lesiones.

Retire regularmente todas las sustancias extrañas, como polvo o agua, de los terminales y los puntos de contacto de la alimentación con un paño seco.

- Desenchufe el cable de alimentación y límpielo con un paño seco.
- De lo contrario, se puede provocar una descarga eléctrica o un incendio.

Enchufe el cable de alimentación en un tomacorriente de pared en la dirección adecuada de manera que el cable baje hacia el piso.

## CONSERVE ESTAS INSTRUCCIONES

- 
- Si enchufa el cable de alimentación en el tomacorriente en la dirección opuesta, los cables eléctricos del interior del cable pueden dañarse y provocar una descarga eléctrica o un incendio.

Este electrodoméstico debe conectarse a tierra correctamente.

La toma de tierra no se debe conectar a una conducción de gas o de agua ni a la línea telefónica.

- Una conexión a tierra inadecuada puede provocar una descarga eléctrica, un incendio, una explosión o problemas con el producto.
- Nunca enchufe el cable de alimentación en un tomacorriente que no esté conectado a tierra correctamente. Asegúrese de que el tomacorriente esté conectado a tierra conforme a los códigos locales y nacionales.

No instale este electrodoméstico cerca de un calefactor o materiales inflamables.

No instale este electrodoméstico en un lugar húmedo, grasiento o cubierto de polvo, ni lo exponga a la luz directa del sol o al agua (gotas de lluvia).

No instale este electrodoméstico en un lugar donde pueda haber fugas de gas.

- Puede provocar una descarga eléctrica o un incendio.

Enchufe el cable de alimentación firmemente en el tomacorriente de pared. No utilice un cable de alimentación dañado ni un tomacorriente que esté flojo.

- Puede provocar una descarga eléctrica o un incendio.

No jale el cable de alimentación ni lo doble excesivamente.

No tuerza ni ate el cable de alimentación.

No cuelgue el cable de alimentación de un objeto metálico, no coloque objetos pesados sobre él, no inserte el cable de alimentación entre objetos ni lo empuje en un espacio detrás del electrodoméstico.

- Puede provocar una descarga eléctrica o un incendio.

No jale el cable de alimentación para desenchufarlo.

- Desenchufe el cable de alimentación sujetándolo por el enchufe.
- De lo contrario, se puede provocar una descarga eléctrica o un incendio.

Si el enchufe o el cable de alimentación están dañados, comuníquese con el centro de servicio más cercano.

## Precauciones para la instalación

---

### PRECAUCIÓN

Coloque el electrodoméstico de manera tal que se pueda acceder fácilmente al tomacorriente.

# CONSERVE ESTAS INSTRUCCIONES

# Información sobre seguridad

---

- De lo contrario, se puede provocar una descarga eléctrica o un incendio debido a las fugas eléctricas.

Instale el electrodoméstico sobre una superficie nivelada que pueda soportar su peso.

- De lo contrario, pueden producirse vibraciones anormales, ruidos o problemas con el producto.

Desenchufe el electrodoméstico si no lo va a utilizar durante un período prolongado o durante una tormenta eléctrica.

- De lo contrario, se puede provocar una descarga eléctrica o un incendio.

## Advertencias fundamentales para el uso

---

### **ADVERTENCIA**

Si el electrodoméstico se inunda, desconéctelo inmediatamente y comuníquese con el centro de servicio más cercano.

Si el electrodoméstico genera ruidos extraños, olor a quemado o humo, desconéctelo inmediatamente y llame al centro de servicio más cercano.

- De lo contrario, se puede provocar una descarga eléctrica o un incendio.

En caso de fugas de gas (tales como propano, LP, etc.), ventile el área inmediatamente. No encienda ni apague ningún electrodoméstico ni ninguna luz.

- No utilice un ventilador.
- Una chispa puede provocar un incendio o una explosión.

No lave prendas contaminadas con gasolina, queroseno, benceno, disolventes de pinturas, alcohol u otras sustancias inflamables o explosivas.

- Puede provocar una descarga eléctrica, un incendio o una explosión.

No abra la tapa de la lavadora por la fuerza mientras esté en funcionamiento (lavado a alta temperatura/secado/centrifugado).

- El agua que sale de la lavadora puede provocar quemaduras o hacer que el piso sea resbaladizo. Puede provocar lesiones.
- Abrir la tapa por la fuerza puede dañar el producto o provocar lesiones físicas.

Asegúrese de quitar el empaque (goma espuma, poliestireno) del fondo de la lavadora antes de utilizarla.

No introduzca las manos bajo la lavadora.

- Puede provocar lesiones.

## CONSERVE ESTAS INSTRUCCIONES

---

No toque el enchufe con las manos mojadas.

- Puede provocar una descarga eléctrica.

No apague el electrodoméstico desenchufándolo mientras la lavadora está en funcionamiento.

- Si vuelve a enchufar el electrodoméstico en el tomacorriente puede originar una chispa y causar una descarga eléctrica o un incendio.

Mantenga los materiales de empaque fuera del alcance de los niños, ya que son peligrosos para ellos.

- Si un niño mete la cabeza en una bolsa se puede asfixiar.

No permita que los niños o las personas inestables utilicen la lavadora sin supervisión.

- De lo contrario, se puede provocar una descarga eléctrica, quemaduras o lesiones.

No introduzca la mano ni objetos de metal bajo la lavadora mientras esté en funcionamiento.

- Puede provocar lesiones.

No trate de reparar, desensamblar ni modificar la lavadora usted mismo.

- No utilice un fusible (de cobre, cable de acero, etc.) que no esté normalizado.
- Si necesita reparar o volver a instalar el electrodoméstico, comuníquese con el centro de servicio más cercano.
- De lo contrario, se puede provocar una descarga eléctrica, un incendio, problemas con el producto o lesiones.

Si alguna sustancia extraña, tal como el agua, se introduce en el electrodoméstico en algún compartimiento distinto del tambor, desenchufe el cable de alimentación y comuníquese con el centro de servicio más cercano.

- De lo contrario, se puede provocar una descarga eléctrica o un incendio.

Si se afloja la manguera de suministro de agua de la llave de agua y se inunda el electrodoméstico, desenchufe el cable de alimentación.

- De lo contrario, se puede provocar una descarga eléctrica o un incendio.

Para telas impermeables, utilice solo el ciclo BEDDING / WATERPROOF (ROPA DE CAMA / IMPERMEABLES).

- No utilice otros ciclos para las telas impermeables. Se pueden producir lesiones o dañar la lavadora, las paredes, el piso o la ropa debido a las vibraciones anormales.
- Configure la temperatura y el centrifugado de acuerdo con las indicaciones en la etiqueta de cuidado.
- **ADVERTENCIA** : No seguir con precisión estas instrucciones puede causar una vibración anormal y una falta de equilibrio que, a su vez, puede producir lesiones físicas, daños materiales y/o daños al electrodoméstico.

## CONSERVE ESTAS INSTRUCCIONES

# Información sobre seguridad

---

Aleje las manos de la parte superior de la lavadora antes de cerrar la tapa.

- Esto evitará que se lesione las manos por el cierre de la tapa.

## Precauciones de uso

---

### PRECAUCIÓN

Si la lavadora está contaminada por sustancias extrañas, tales como detergente, tierra, restos de alimentos, etc., desenchufe el cable de alimentación y limpie la lavadora con un paño suave humedecido.

- De lo contrario, puede producirse decoloración, deformación, daños u óxido.

La parte transparente de la tapa puede quebrarse con un impacto fuerte. Tenga cuidado cuando utilice la lavadora.

- Si la parte transparente está agrietada o quebrada, puede causar lesiones.

Tras una falla del suministro de agua o cuando se vuelve a conectar la manguera de suministro, abra lentamente la llave de agua.

Abra lentamente la llave de agua tras un periodo prolongado de falta de uso.

- La presión del aire de la manguera de suministro o de la conducción de agua puede dañar alguna pieza o provocar fugas de agua.

Si durante el funcionamiento hay una falla en el drenaje, verifique el drenaje.

- Si se utiliza la lavadora inundada por una falla en el drenaje, se puede provocar una descarga eléctrica o un incendio.

No introduzca las manos bajo la lavadora.

- Puede provocar lesiones.

Introduzca completamente la ropa en la lavadora de modo que no pueda quedar atrapada por la tapa.

- Si la ropa queda atrapada por la tapa, puede dañarse la ropa o la lavadora, o pueden haber fugas de agua.

Asegúrese de que la llave de agua esté cerrada cuando la lavadora no se utiliza.

- Asegúrese de que los conectores de la manguera de suministro de agua estén correctamente ajustados.
- De lo contrario, se pueden provocar daños materiales o lesiones.

## CONSERVE ESTAS INSTRUCCIONES

---

Antes de utilizar el producto, abra la llave de agua y verifique que el conector de la manguera de suministro esté bien ajustado y que no haya fugas de agua.

- Si los conectores de la manguera de suministro de agua están flojos, pueden haber fugas de agua.

No se pare encima del electrodoméstico ni le coloque encima objetos (como ropa, velas o cigarrillos encendidos, platos, productos químicos, objetos metálicos, etc.).

- Puede provocar una descarga eléctrica, un incendio, problemas con el producto o lesiones.

No haga funcionar el electrodoméstico con las manos mojadas.

- Puede provocar una descarga eléctrica.

No rocíe materiales volátiles, como insecticidas, en la superficie del electrodoméstico.

- Además de ser perjudiciales para las personas, también pueden provocar una descarga eléctrica, un incendio o problemas con el producto.

No coloque objetos que generen campos electromagnéticos cerca de la lavadora.

- Puede causar lesiones por un mal funcionamiento.

No toque el agua que se drena durante el lavado a alta temperatura o durante el ciclo de secado ya que está caliente.

- Puede causar lesiones personales o quemaduras.

No haga funcionar la lavadora sin el dosificador de detergente.

- Se puede provocar una descarga eléctrica o lesiones debido a fugas de agua.

No introduzca las manos en el dosificador de detergente después de abrirlo.

- La mano podría quedar apretada y sufrir lesiones.

No introduzca ningún objeto que no sea ropa (por ejemplo, zapatos, restos de comida o animales) en la lavadora.

- Esto puede causar vibraciones anormales que pueden dañar la lavadora y, en el caso de las mascotas, puede provocar lesiones graves, o incluso la muerte.

No presione los botones con objetos afilados, como alfileres, cuchillos, las uñas, etc.

- Puede provocar una descarga eléctrica o lesiones personales.

No lave ropa contaminada por aceites, cremas o lociones que se utilizan normalmente en los establecimientos para el cuidado de la piel o en las clínicas de masajes.

- Se puede deformar la junta de goma y provocar fugas de agua.

No deje objetos de metal (tales como clips, horquillas, etc.) ni blanqueador en el tambor durante períodos prolongados.

- Se puede oxidar el tambor.

## CONSERVE ESTAS INSTRUCCIONES

# Información sobre seguridad

---

- Si aparece óxido en la superficie del tambor, aplique un agente limpiador neutro sobre la superficie y utilice una esponja para limpiarla. Nunca utilice un cepillo de metal.

No utilice detergentes de limpieza en seco directamente en el tambor ni lave, enjuague o centrifugue ropa contaminada por detergentes de limpieza en seco.

- Se puede producir una combustión espontánea o un incendio por el calor de la oxidación del aceite.

No utilice agua caliente de dispositivos de calentamiento o enfriamiento del agua.

- Podría causar problemas en la lavadora.

No utilice jabón natural para lavado a mano en la lavadora.

- Si se endurece y se acumula en el interior de la lavadora, puede causar problemas en el producto, tales como decoloración, óxido y malos olores.

No lave prendas grandes como ropa de cama dentro de una red.

- De lo contrario, se pueden producir lesiones personales por las vibraciones anormales.
- Coloque los artículos más pequeños, como las medias y la lencería, dentro de una red.

No utilice detergente endurecido.

- Si se acumula en el interior de la lavadora, puede provocar fugas de agua.

No lave alfombras ni felpudos.

- Si lava alfombras o felpudos, se acumulará arena en el interior de la lavadora. Puede provocar fallas como la falta de drenaje.

## Advertencias fundamentales para la limpieza

---

### **ADVERTENCIA**

No limpie el electrodoméstico rociando directamente agua dentro de él.

No utilice un agente limpiador muy ácido.

No utilice benceno, disolventes de pinturas ni alcohol para limpiar el electrodoméstico.

- Puede provocar decoloración, deformación, daños, incendio o descarga eléctrica.

Antes de la limpieza o las tareas de mantenimiento, desenchufe el electrodoméstico del tomacorriente de la pared.

- De lo contrario, se puede provocar una descarga eléctrica o un incendio.

## CONSERVE ESTAS INSTRUCCIONES

# Instalación

Siga detenidamente estas instrucciones para asegurar una adecuada instalación de la lavadora y evitar accidentes al usarla.

## **⚠ ADVERTENCIA**

Algunas piezas internas no están conectadas a tierra intencionalmente y pueden presentar riesgo de descarga eléctrica únicamente durante el servicio técnico. Personal del servicio técnico - No toque las siguientes piezas mientras el electrodoméstico está recibiendo electricidad: Panel de control, disipador térmico, motor, válvula de entrada, calentador y bomba.

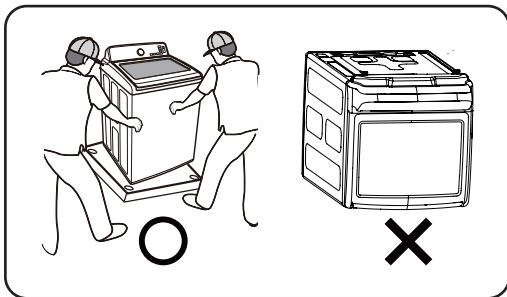
## Desempaque de la lavadora

Desempaque la lavadora e inspecciónela para controlar que no se hayan producido daños durante el transporte. Asegúrese de haber recibido todos los elementos que se muestran a continuación. Si la lavadora sufrió daños durante el transporte, o si falta algún elemento, comuníquese con el 1-800-SAMSUNG (1-800-726-7864).

Para evitar lesiones físicas o distensiones musculares, use guantes protectores cada vez que levante o transporte la unidad.

## **⚠ ADVERTENCIA**

Los materiales de empaque pueden ser peligrosos para los niños. Mantenga todos los materiales de empaque (bolsas de plástico, poliestireno, etc.) fuera del alcance de los niños.



## **⚠ PRECAUCIÓN**

Para desempacar la lavadora se necesita la colaboración de 2 personas. Al retirar la protección de la parte inferior de los materiales de empaque, está estrictamente prohibido el desecho directo.

Al acostar la lavadora sobre el piso para retirar la base de cartón, se debe proteger el lateral de la lavadora y apoyarla con cuidado. Nunca apoye la lavadora sobre la parte frontal ni posterior.

# Instalación

## Descripción general de la lavadora

Asegúrese de que todos los componentes estén incluidos en el paquete. Si tiene algún problema con la lavadora o las piezas, comuníquese con un centro de atención al cliente de Samsung o con el vendedor.



**01** Manguera de drenaje

**02** Guía de la manguera

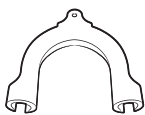
**03** Cable de alimentación

**04** Patas niveladoras

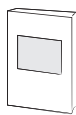
**05** Panel de control

**06** Tapa

## Partes suministradas



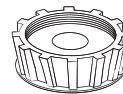
Guía de la manguera



Manual del usuario

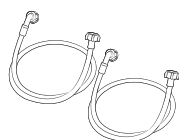


Abrazadera plástica de sujeción de la manguera



Tapón de la entrada de agua

## Partes no suministradas



Mangueras de suministro de agua

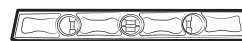
## Herramientas necesarias para la instalación



Llave inglesa



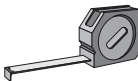
Destornillador plano



Niveladora



Pinzas ajustables



Cinta de medir

### **NOTA**

- Si pierde algún accesorio y desea adquirir un repuesto, comuníquese con el Centro de servicio técnico de Samsung (1-800-SAMSUNG (1-800-726-7864)).
- El diseño de las piezas y los accesorios que se muestran en las imágenes a continuación puede diferir.  
Los diseños están sujetos a cambios sin previo aviso para mejorar el producto.
- No vuelva a utilizar las mangueras viejas. Use solamente mangueras de suministro de agua nuevas cuando instale la lavadora. Las mangueras viejas pueden tener fugas o se pueden reventar y provocar inundaciones o daños materiales.
- Confirme que haya arandelas de goma en el interior de cada unión de las mangueras de suministro de agua.

# Instalación

## Requisitos básicos acerca de la ubicación

### Instalación eléctrica

- Fusible o disyuntor de 120 voltios, 60 Hz, 15 A.
- Se recomienda contar con un circuito derivado individual destinado únicamente a la lavadora.
- La lavadora está equipada con un cable de alimentación.

### PRECAUCIÓN

Nunca utilice un cable prolongador.

### Conexión a tierra

Se requiere la conexión eléctrica a tierra de este electrodoméstico.

Este electrodoméstico debe conectarse a tierra. En caso de que el electrodoméstico funcione mal o se descomponga, la conexión a tierra reducirá el riesgo de descarga eléctrica al ofrecer una vía de menos resistencia a la corriente eléctrica. Este electrodoméstico está equipado con un cable de alimentación que cuenta con un enchufe de tres pines con conexión a tierra para utilizar en un tomacorriente con conexión a tierra. El enchufe debe conectarse a un tomacorriente adecuado que esté correctamente instalado y conectado a tierra de conformidad con todos los códigos y ordenanzas locales.

### ADVERTENCIA

La conexión inadecuada del conductor de conexión a tierra del equipo puede aumentar el riesgo de descarga eléctrica. Consulte a un electricista o técnico calificado si le surgen dudas acerca de si la conexión a tierra del electrodoméstico es adecuada. No modifique el enchufe provisto con el electrodoméstico; si no cabe en el tomacorriente, solicite a un electricista calificado que instale el tomacorriente apropiado.

### Precauciones de seguridad importantes

Para evitar el riesgo innecesario de incendio, descarga eléctrica o lesiones físicas, todo el cableado y la conexión a tierra deben realizarse de conformidad con el Código Eléctrico Nacional, ANSI/FNPA, Nro. 70, la revisión más reciente, y los códigos y ordenanzas locales.

Es exclusiva responsabilidad del propietario del electrodoméstico proveer los servicios eléctricos adecuados para este electrodoméstico.

### PRECAUCIÓN

Nunca conecte el cable a tierra a tuberías de plástico, tuberías de gas o cañerías de agua caliente.

## Agua

Para llenar correctamente la lavadora en el tiempo adecuado, se requiere una presión de agua de 20 a 116 psi (137 a 800 kPa). Una presión de agua inferior a 20 psi puede ocasionar fallas en la válvula de agua, impedir que la válvula de agua se cierre completamente o prolongar el tiempo de llenado más allá de lo permitido por los controles de la lavadora y que, como resultado, la lavadora se apague. En los controles, se establece un límite de tiempo para evitar que se inunde la casa si una manguera se afloja.

Las llaves del agua deben estar colocadas dentro de los 4 pies (122 cm) de distancia de la parte posterior de la lavadora para que coincidan con las mangueras de entrada provistas.

### **NOTA**

Las mangueras de entrada accesorias están disponibles en varias longitudes hasta 10 pies (275 cm) para llaves que se encuentren más alejadas de la parte posterior de la lavadora. Para evitar la posibilidad de que se produzcan daños a causa del agua:

- Las llaves de agua deben ser de fácil acceso.
- Cierre las llaves cuando no use la lavadora.
- Verifique periódicamente que no haya pérdidas de agua que provengan de los accesorios de la manguera de entrada de agua.

## **ADVERTENCIA**

Verifique que no haya fugas en ninguna de las conexiones de la válvula y de la llave de agua.

## Operación de drenaje

La altura recomendada del tubo vertical es de 39 pulgadas (99 cm). La manguera de drenaje debe ajustarse por medio del gancho de la manguera al tubo vertical. El tubo vertical debe tener la suficiente longitud como para aceptar el diámetro exterior de la manguera de drenaje. La manguera de drenaje viene conectada a la lavadora de fábrica.

## Piso

Para un mejor desempeño, debe instalar la lavadora sobre un piso de construcción sólida. Posiblemente los pisos de madera necesiten reforzarse para minimizar la vibración y/o los desequilibrios de la carga. Las superficies alfombradas o con revestimiento sintético son factores que contribuyen a la vibración y pueden provocar que la lavadora se mueva levemente durante el ciclo de centrifugado. Nunca instale la lavadora sobre una plataforma o sobre una estructura con soportes poco resistentes.

## Consideraciones acerca de la ubicación

No instale la lavadora en áreas donde el agua se congele, dado que la lavadora siempre retendrá algo de agua en el área de la válvula de agua, la bomba y la manguera. El agua congelada puede dañar las correas, la bomba, las mangueras y otros componentes.

# Instalación

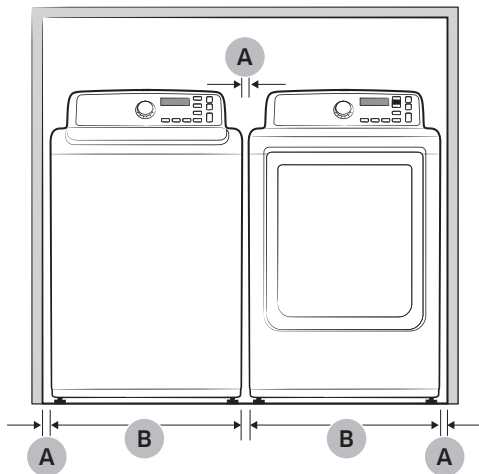
## Instalación en un gabinete o en un hueco

Deje un espacio libre mínimo cuando instale el electrodoméstico en un gabinete o en un hueco:

Laterales	1 in / 25 mm	Frente del gabinete	1 in / 25 mm
Posterior	5.9 in / 150 mm	Arriba	21 in / 533 mm

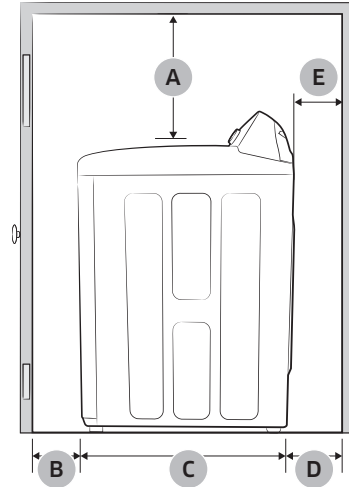
Si la lavadora y la secadora se instalan una junto a la otra, el frente del gabinete debe contar con una abertura de aire sin obstrucciones de al menos 72 in<sup>2</sup> (465 cm<sup>2</sup>). La lavadora sola no requiere una abertura de aire específica.

### Área empotrada



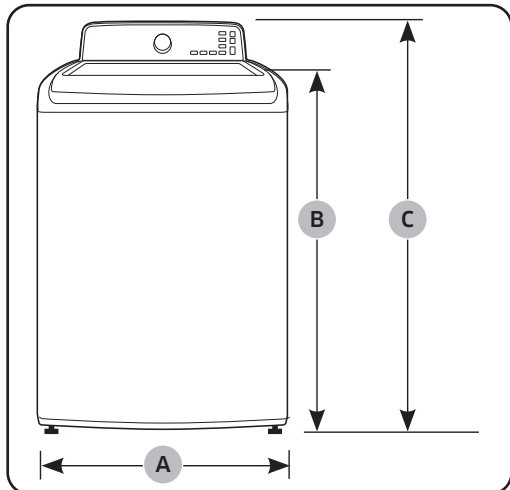
A	1 in (2.5 cm)
B	27.0 in (68.6 cm)

## Vista lateral - gabinete o área reducida

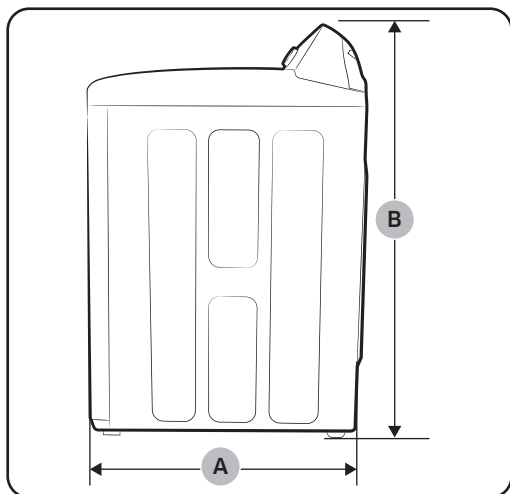


A	21 in (53.3 cm)
B	1 in (2.5 cm)
C	29 7/16 in (74.4 cm)
D	5.9 in (15.0 cm)
E	<p>Espacio entre la válvula del agua y la pared</p> <ul style="list-style-type: none"> <li>Caso 1. Ensamble de la manguera de suministro después de la instalación: Más de 4 in (10 cm).</li> <li>Caso 2. Ensamble de la manguera de suministro antes de la instalación: Más de 3 in (8 cm).</li> </ul>

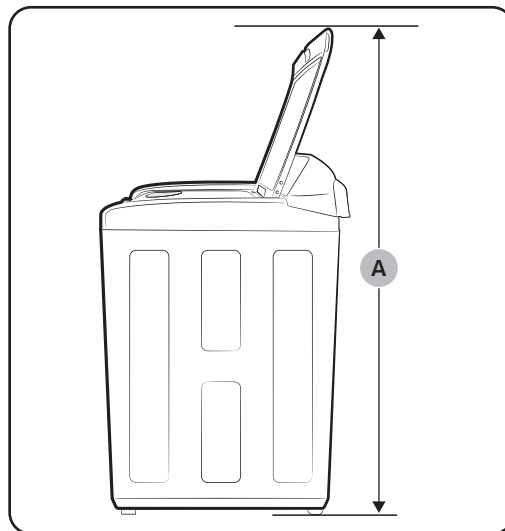
## Dimensiones requeridas de la instalación



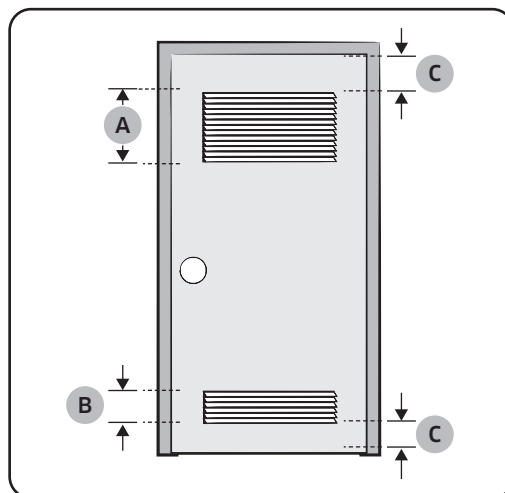
A	27.0 in (68.6 cm)
B	39.3 in (99.8 cm)
C	43.9 in (111.7 cm)



A	29.3 in (74.4 cm)
B	43.9 in (111.7 cm)



A	59.3 in (150.5 cm)
---	--------------------



A*	48.0 in <sup>2</sup> (310.0 cm <sup>2</sup> )
B*	24.0 in <sup>2</sup> (155.0 cm <sup>2</sup> )
C	3.0 in (7.6 cm)

### NOTA

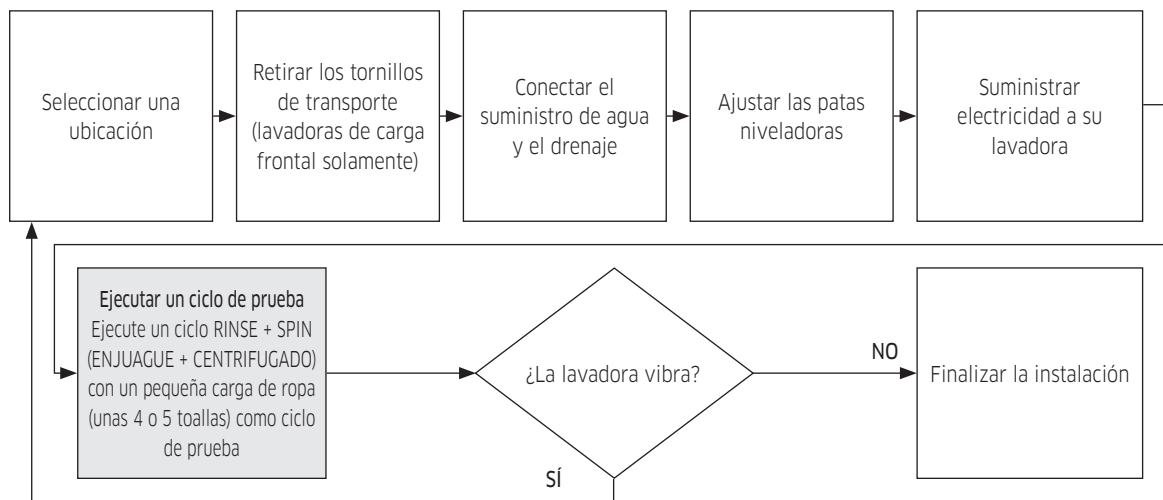
\* Espacio necesario

# Instalación

## Nota importante para el instalador

Lea las siguientes instrucciones con detenimiento antes de instalar la lavadora.  
Estas instrucciones se deben conservar para consultas futuras.  
Le recomendamos que contrate a un profesional para que instale esta lavadora.

## Diagrama de instalación



Verifique nuevamente los pasos anteriores.

---

## Instalación paso a paso

---

### PASO 1 Seleccionar una ubicación

---

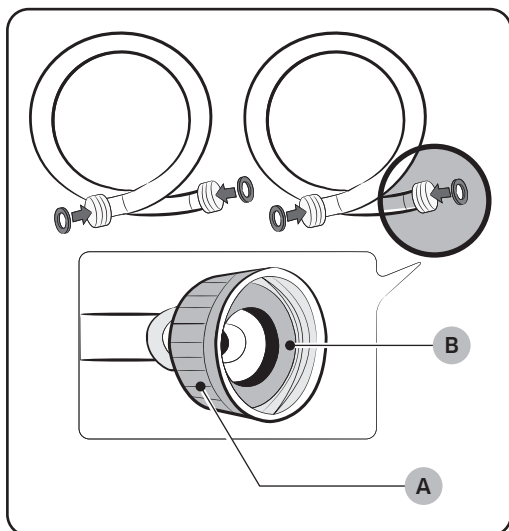
#### NOTA

Antes de instalar la lavadora, asegúrese de que la ubicación:

- Tenga una superficie resistente y nivelada sin alfombras ni revestimientos para pisos que puedan obstruir los orificios de ventilación.
- Esté alejada de la luz solar directa.
- Tenga una ventilación adecuada.
- No se encuentre expuesta a temperaturas de congelación (por debajo de 32 °F o 0 °C).
- Esté alejada de fuentes de calor, tales como el aceite o el gas.
- Tenga suficiente espacio como para que la lavadora no quede apoyada sobre su cable de alimentación.

### PASO 2 Conectar la manguera de suministro de agua

---



#### PRECAUCIÓN

Antes de instalar las mangueras de suministro de agua, asegúrese de que los burletes de goma (B) estén dentro de los acoplamientos (A) en los extremos de cada manguera nueva. Instalar las mangueras de suministro de agua sin los burletes de goma puede producir fugas de agua.

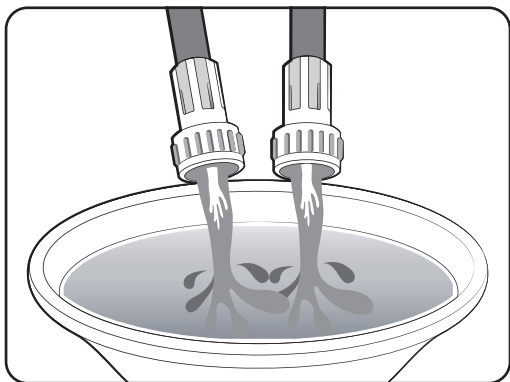
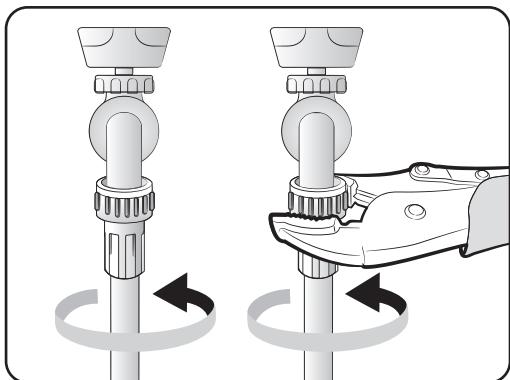
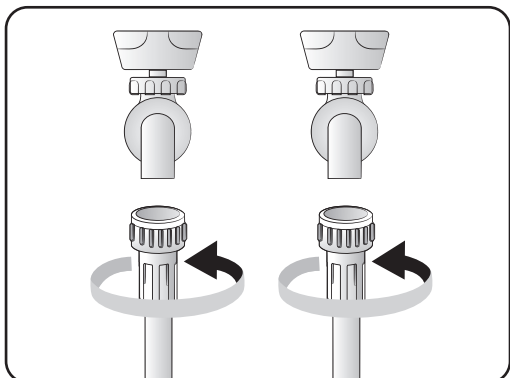
#### PRECAUCIÓN

Cuando instale inicialmente la lavadora, asegúrese de utilizar mangueras nuevas. De no hacerlo se pueden producir fugas de agua o una inundación que pueden causar daños materiales.

#### PRECAUCIÓN

No conecte varias mangueras de suministro de agua juntas para aumentar la longitud de la manguera de suministro. Las mangueras conectadas de esta manera pueden tener fugas de agua que podrían provocar una descarga eléctrica. Si la manguera resulta demasiado corta, sustituya la manguera por otra más larga de alta presión.

# Instalación



1. Conecte los extremos de las mangueras de suministro de agua a las llaves del agua caliente y fría.
2. Ajuste los conectores a mano hasta que queden ceñidos y, luego, ajústelos dos tercios adicionales con unas pinzas.

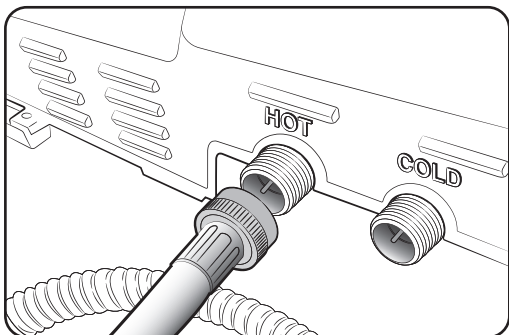
## ⚠ PRECAUCIÓN

No apriete demasiado los conectores ni aplique cinta ni sellador a las llaves o a las entradas del suministro de agua. Podría dañar los accesorios.

## 📄 NOTA

Una vez que haya conectado las mangueras de suministro de agua a las llaves, asegúrese de que estén conectadas correctamente jalando las mangueras hacia abajo.

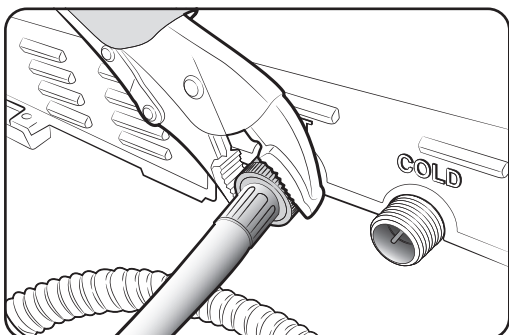
3. Coloque los extremos no conectados de las mangueras en una cubeta y abra las llaves de agua conectadas a las dos mangueras de suministro de agua durante 10 o 15 segundos para eliminar cualquier sustancia extraña de las mangueras. Cierre las llaves antes de continuar.



4. Conecte los extremos de las mangueras de suministro de agua a las conexiones de entrada de agua de la parte posterior de la lavadora.

### ⚠ PRECAUCIÓN

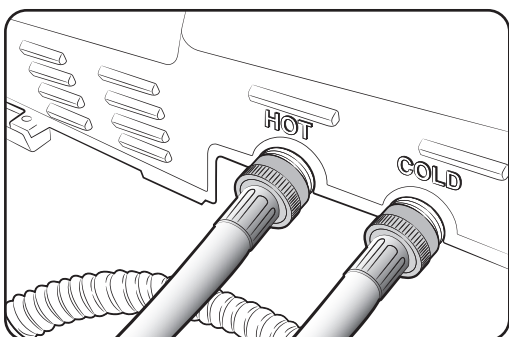
La manguera de suministro de agua conectada a la llave del agua caliente se debe conectar a la entrada del agua caliente y la manguera conectada a la llave del agua fría se debe conectar a la entrada del agua fría.



5. Ajuste los conectores a mano hasta que queden ceñidos y, luego, ajústelos dos tercios adicionales con unas pinzas.

### 📄 NOTA

Para asegurar el correcto uso del agua, conecte ambas llaves del agua caliente y fría. Si alguna de ellas o ambas están desconectadas, el LED de Cool (Fresca) (sin carga) centelleará.

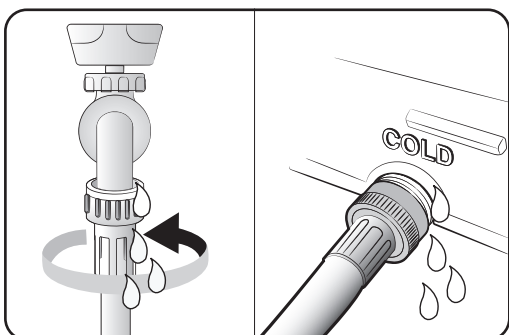


### 📄 NOTA

Si no desea usar la manguera de suministro de agua caliente, inserte el tapón de la entrada de agua en el orificio de la entrada del suministro de agua caliente. En este caso, debe seleccionar **Cold (Fría)** para la temperatura del agua. Si selecciona **Cold (Fría)**, todas las lámparas de las opciones de la temperatura de agua se apagan.

### ⚠ PRECAUCIÓN

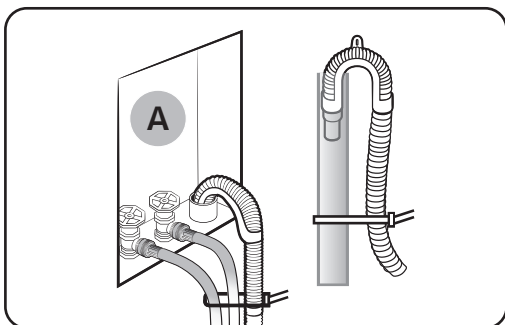
Verifique que las mangueras de suministro de agua no estén dobladas ni torcidas. Si las mangueras están dobladas o torcidas, pueden provocarse fugas de agua y ocasionar una descarga eléctrica.



6. Abra el suministro de agua caliente y fría y verifique que no haya fugas en las conexiones de entrada de agua ni en las llaves.

# Instalación

## PASO 3 Conectar la manguera de drenaje



El extremo de la manguera de drenaje puede colocarse de tres formas:

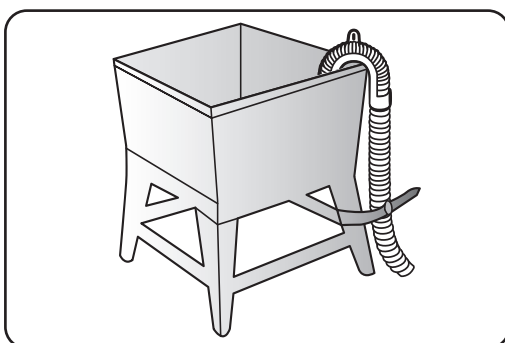
### En un tubo vertical de pared o de piso

La altura del extremo del tubo vertical no debe ser inferior a 39 in (99 cm) ni superior a 96 in (245 cm).

Si la tubería de desagüe está instalada en la pared con válvulas de agua (A), fije la manguera de drenaje a la manguera de agua.

### NOTA

- Asegúrese de que la conexión entre la manguera de drenaje y el tubo vertical sea hermética.

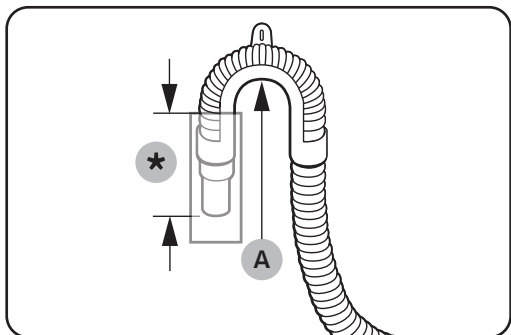


### En una tina de lavado

La altura de la tina no debe ser inferior a 39 in (99 cm) ni superior a 96 in (245 cm).

Ensamble la guía de la manguera provista en el extremo de la manguera de drenaje y coloque el gancho en la tina de lavado.

Luego fije la manguera de drenaje a una pata de la tina.



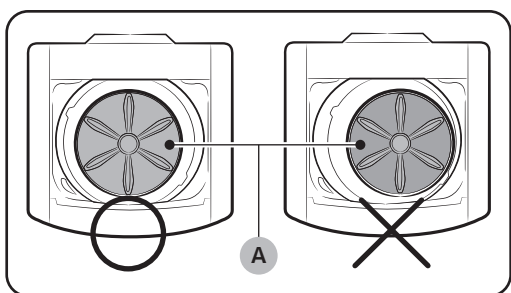
#### **NOTA**

Conecte la guía de la manguera (A) dentro de las 3~5 in (7.6~12.7 cm)\* desde el extremo de la manguera de drenaje. Si la manguera de drenaje se extiende más allá del extremo de la guía de la manguera, puede propagarse moho o microorganismos al interior de la lavadora.

#### **NOTA**

La manguera de drenaje puede instalarse hasta una altura máxima de 96 in (245 cm) pero su capacidad de drenaje se verá reducida por la altura. Puede generar malos olores en la lavadora como consecuencia del agua que queda estancada en el sistema de drenaje.

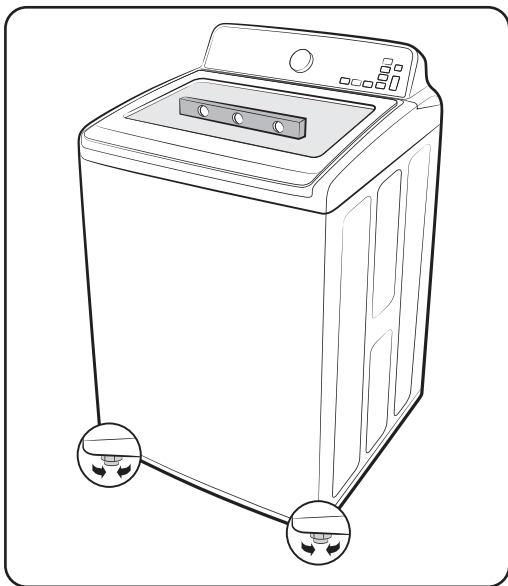
## **PASO 4 Nivelar la lavadora**



Vea si la lavadora está nivelada verificando la posición del tambor:

1. Deslice la lavadora hasta dejarla en su lugar.
2. Abra la tapa de la lavadora y vierta agua en el tambor hasta justo por debajo del nivel del pulsador.

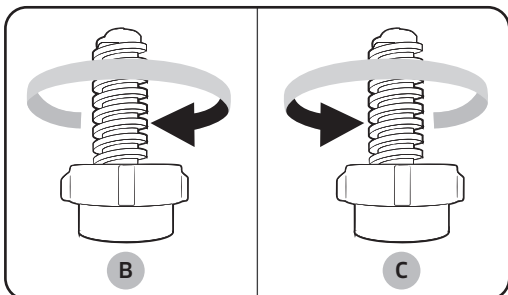
# Instalación



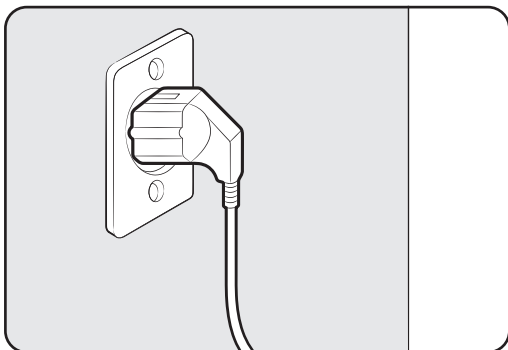
3. Si la lavadora está nivelada, el **pulsador (A)** se situará en el centro del agua, como se muestra en la imagen. En caso contrario, nivele la lavadora girando la pata niveladora frontal hacia la izquierda o la derecha cuanto sea necesario.

## NOTA

- Gire la pata niveladora frontal hacia la **derecha (B)** para bajar la lavadora y hacia la **izquierda (C)** para subirla.
- El número de patas niveladoras puede diferir dependiendo de los modelos.



## PASO 5 Encender la lavadora



Enchufe el cable de alimentación a un tomacorriente aprobado de tres pines, 120 voltios, 60 Hz y con conexión a tierra, protegido por un fusible o un disyuntor de 15 A. La lavadora está conectada a tierra a través del tercer pin del cable de alimentación cuando se lo enchufa a un tomacorriente de tres pines con conexión a tierra.

## Prueba de funcionamiento

Verifique que la instalación de la lavadora sea correcta mediante la ejecución de **RINSE + SPIN (ENJUAGUE + CENTRIFUGADO)** después de finalizar la instalación.

---

## PASO 6 Ejecutar un ciclo de prueba

---

Ejecute el ciclo de prueba como se explica a continuación para verificar si la lavadora está correctamente instalada.

1. Cargue aproximadamente 6 libras de ropa en el tambor.
2. Presione **POWER (ENCENDER/APAGAR)** para poner en funcionamiento la lavadora.
3. Seleccione **RINSE + SPIN (ENJUAGUE + CENTRIFUGADO)** por medio del **Selector de ciclos**.
4. Presione **START/PAUSE (INICIO/PAUSA)** para iniciar el ciclo de prueba.
5. La lavadora no debe balancearse ni vibrar de manera excesiva durante el suministro de agua o durante el lavado o centrifugado, y debe drenar bien durante el ciclo de centrifugado.

### **NOTA**

Si hay fugas de agua durante el suministro o el drenaje del agua, verifique las conexiones. Consulte la sección “**PASO 2 Conectar la manguera de suministro de agua**” en la página **21** para obtener instrucciones.

### **NOTA**

Si la lavadora se balancea y vibra de manera excesiva, vuelva a nivelarla. Consulte la sección “**PASO 4 Nivelar la lavadora**” en la página **25** para obtener instrucciones.

## PASO 7 Ejecutar la calibración (recomendado)

---

La calibración asegura que la lavadora detecte el peso con precisión. Asegúrese de que el tambor esté vacío antes de ejecutar la calibración.

1. Mantenga presionados simultáneamente **Temp. (Temperatura)** y **POWER (ENCENDER/APAGAR)**.
2. Presione **START/PAUSE (INICIO/PAUSA)** para iniciar la calibración.
3. El tambor gira hacia la derecha durante 2 minutos aproximadamente.
4. Cuando finaliza, todas las lámparas del panel de control se apagan y, luego, la lavadora se apaga automáticamente.

### **NOTA**

Ejecute el modo de calibración periódicamente para una detección más precisa del peso.

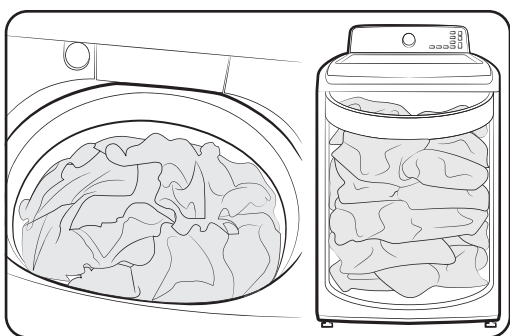
# Instrucciones de funcionamiento

## **ADVERTENCIA**

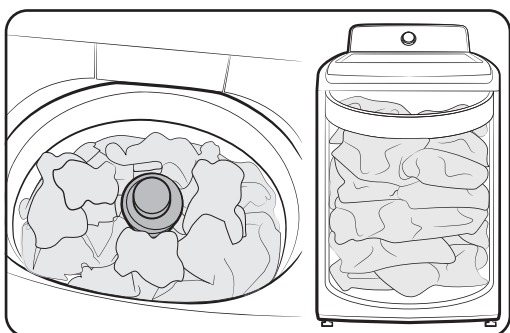
Para reducir el riesgo de incendio, descarga eléctrica o lesiones físicas cuando usa este electrodoméstico, siga las instrucciones de seguridad básicas que figuran a continuación:

## Cómo cargar la lavadora

WA41A3\*\*\*A\*



WA40A3\*\*\*A\*



- Cargue el tambor con ropa seca, sin doblar, distribuida regularmente, para mejorar la eficacia de lavado y evitar un desgaste excesivo o la creación de arrugas de la carga.
- Para un desempeño óptimo de lavado, asegúrese de que la ropa esté apilada regularmente.
- Lave prendas delicadas, tales como brassieres, calcetines y demás lencería, en el ciclo de ropa delicada con prendas livianas similares.
- Cuando lave artículos voluminosos o algunos artículos más pequeños que no llenen el tambor completamente, por ejemplo un tapete, una almohada, muñecos de peluche, o uno o dos suéteres, agregue algunas toallas para que el centrifugado resulte más eficaz.
- No cargue prendas voluminosas excepto en el ciclo de ropa de cama.

## **NOTA**

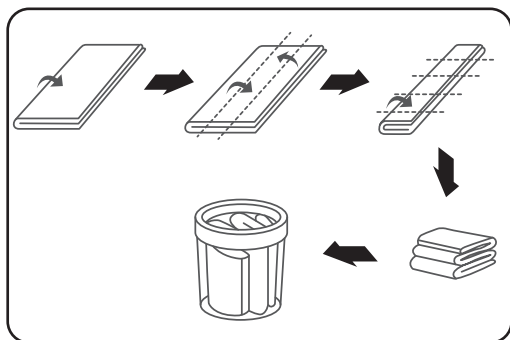
Durante el ciclo de centrifugado, la lavadora puede agregar agua adicional para redistribuir las prendas y corregir el desequilibrio dentro de la tina.

- Cuando lave ropa muy sucia, no sobrecargue la lavadora para garantizar un lavado de óptima calidad.

## **PRECAUCIÓN**

- Las prendas que se hinchan pueden causar daños a la ropa o a la máquina durante el proceso de lavado o secado.

- Independientemente del tamaño, las cobijas y los edredones están más seguros y quedan más limpios si se lava de a una sola prenda por vez. Dos cobijas de distinto tamaño en la misma carga pueden comprometer el desempeño del secado debido al desequilibrio de la carga.



#### Para ingresar una cobija

(únicamente para los modelos WA41A3\*\*\*A\*)

Doble la cobija dentro de la red específica para cobijas como se muestra y luego ponga la red en el tambor debajo de la zona de plástico del tambor.

#### ⚠ PRECAUCIÓN

Asegúrese de que la ropa esté completamente dentro.

- Cualquier prenda que quede expuesta puede provocar daños a la máquina o a la ropa, o causar una fuga de agua.
- No sobrecargue el tambor. Asegúrese de que ninguna parte de la ropa quede expuesta fuera del tambor.

#### Para agregar una prenda olvidada:

- Presione **START/PAUSE (INICIO/PAUSA)** para poner en pausa la lavadora.
- Espere a que la puerta se destrabe automáticamente y ábrala.
- Agregue la prenda, cierre la puerta y presione **START/PAUSE (INICIO/PAUSA)**. El ciclo se reanudará.

#### 📄 NOTA

No lave distintos tipos de ropa de cama juntos (cobijas, sábanas, cobertores/edredones). La carga puede desequilibrarse en el tambor y causar resultados deficientes de centrifugado.

- Separe la ropa de cama según su tipo antes de lavar.
  - Si una prenda es voluminosa y absorbe grandes cantidades de agua durante el lavado, lávela individualmente.
  - No lave prendas livianas con prendas que casi no absorban agua.
  - No lave edredones o cobertores con fundas o sábanas.

# Instrucciones de funcionamiento

---

## Cómo comenzar

---

1. Agregue detergente líquido (o en polvo) y aditivos (consulte la sección "Uso del detergente" en la página 36).
2. Cargue la lavadora.
3. Seleccione el ciclo y las opciones apropiados para la carga (consulte la sección "Lavado de una carga de ropa" en la página 31).
4. Cierre la tapa.
5. Presione **START/PAUSE (INICIO/PAUSA)**.
6. La luz del indicador **Wash (Lavar)** se ilumina.
7. El tiempo estimado del ciclo aparecerá en la pantalla.  
Es posible que el tiempo fluctúe para indicar el tiempo restante en el ciclo.

### **NOTA**

El tiempo real requerido para un ciclo puede diferir del estimado en la pantalla dependiendo de la presión y la temperatura del agua, el detergente y la ropa.

8. Antes de que la lavadora comience a llenarse, emitirá una serie de sonidos semejantes a un "clic" para controlar la traba de la puerta y efectuará un drenaje rápido.

### **NOTA**

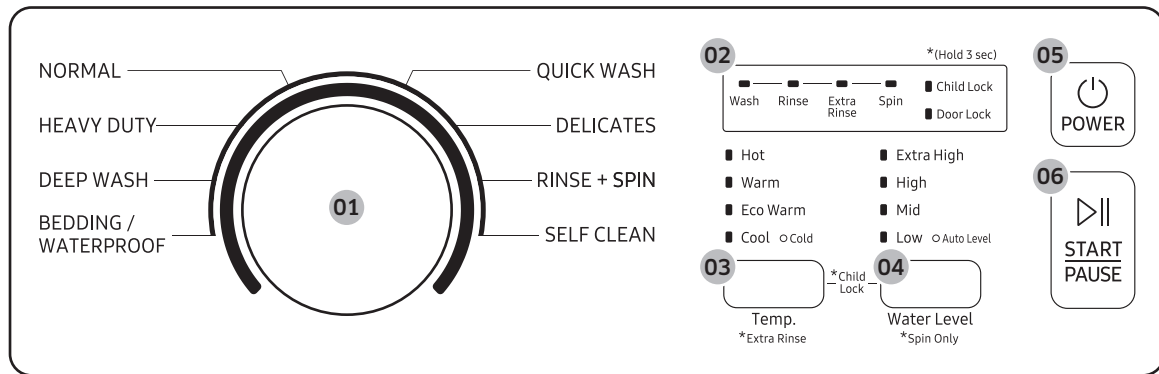
- Cuando el ciclo haya finalizado, el indicador de **Door Lock (Seguro de puerta)** se apagará.
- Si presiona **POWER (ENCENDER/APAGAR)** se cancela el ciclo y la lavadora se detiene.
- Los indicadores de **Wash (Lavar)**, **Rinse (Enjuagar)** y **Spin (Centrifugar)** se iluminarán durante dichas fases del ciclo.

# Lavado de una carga de ropa

## ⚠️ ADVERTENCIA

Para reducir el riesgo de incendio, descarga eléctrica o lesiones personales, lea las INSTRUCCIONES DE SEGURIDAD IMPORTANTES antes de poner en funcionamiento el electrodoméstico.

## Panel de control



<b>01</b> Selector de ciclos	Gire el selector de ciclos para seleccionar el ciclo deseado. La luz del indicador junto al nombre del ciclo se enciende.
<b>02</b> Pantalla	Ofrece instrucciones y diagnósticos y lo mantiene informado sobre el estado del ciclo y el tiempo restante.
<b>03</b> Temp. (Temperatura)	<p>Presione este botón repetidamente para rotar entre las distintas opciones disponibles de temperatura del agua.</p> <ul style="list-style-type: none"> <li>• <b>Hot (Caliente)</b> - Ropa blanca y prendas muy sucias que no destiñen.</li> <li>• <b>Warm (Tibia)</b> - Prendas que no destiñen.</li> <li>• <b>Eco Warm (Eco Tibia)</b> - Prendas moderadamente sucias, que no destiñen; la mayoría de las prendas sin arrugas.</li> <li>• <b>Cool (Fresca)</b> - Prendas de colores vivos, apenas sucias.</li> <li>• <b>Cold (Fría)</b> - Agua fría sin agregar agua tibia.</li> </ul> <p><b>NOTA</b></p> <ul style="list-style-type: none"> <li>• Si selecciona la opción Fría, todas las lámparas de las opciones de la temperatura de agua se apagan.</li> <li>• <b>Extra Rinse (Enjuague Adicional)</b>: Cambie del modo de enjuague con rociador al modo de enjuague profundo y vuelva a enjuagar. Mantenga presionado <b>Temp. (Temperatura)</b> durante 3 segundos.</li> </ul>

# Lavado de una carga de ropa

<b>04</b> Water Level (Nivel de Agua)	El nivel de agua es el máximo. No obstante, puede seleccionar el nivel de agua manualmente presionando este botón. <b>Spin Only (Solo Centrifugar):</b> Este ciclo ejecuta solamente un centrifugado. Mantenga presionado <b>Water Level (Nivel de Agua)</b> durante 3 segundos.
<b>05</b> POWER (ENCENDER/ APAGAR)	Presiónelo una vez para encender la lavadora. Vuelva a presionarlo para apagar la lavadora. Si la lavadora permanece encendida durante más de 10 minutos sin que se presione ninguno de los botones, se apagará automáticamente.
<b>06</b> START/PAUSE (INICIO/PAUSA)	Presiónelo para detener y reiniciar los ciclos.

## Descripción de los ciclos

Ciclo	Descripción
NORMAL	Para la mayoría de las telas, incluido algodón, lino y prendas moderadamente sucias.
HEAVY DUTY (CARGA PESADA)	Para telas resistentes que no destiñen y prendas muy sucias. Se sugiere utilizar esa función solo cuando lave gran cantidad de prendas muy sucias.
DEEP WASH (LAVADO PROFUNDO)	Utilizar más agua en el lavado y el enjuague. Se recomienda usar este ciclo cuando se usa suavizante.
BEDDING / WATERPROOF (ROPA DE CAMA / IMPERMEABLES)	Para prendas voluminosas, como edredones, cobijas y sábanas. Cuando lave edredones, prendas impermeables o resistentes al agua, utilice detergente líquido.  <b>⚠ PRECAUCIÓN</b> <ul style="list-style-type: none"> <li>✘ No lave prendas impermeables junto con otras prendas que no lo son.</li> <li>✘ Revise la etiqueta del artículo para saber si es impermeable.</li> <li>✘ Use el ciclo BEDDING / WATERPROOF (ROPA DE CAMA / IMPERMEABLES) para artículos impermeables resistentes al agua como alfombrillas de plástico, pantalones de esquí, impermeables para la lluvia y edredones que apenas absorben agua.</li> </ul>
QUICK WASH (LAVADO RÁPIDO)	Para prendas ligeramente sucias que se necesitan con urgencia.

Ciclo	Descripción
<b>DELICATES (DELICADOS)</b>	Para telas finas, brassieres, lencería, seda y otras telas que deben lavarse únicamente a mano. Para obtener mejores resultados, use detergente líquido.
<b>RINSE + SPIN (ENJUAGUE + CENTRIFUGADO)</b>	Úselo para cargas que necesitan únicamente enjuague o para agregar a la carga suavizante de telas que se añade durante el enjuague.
<b>SELF CLEAN (LAVADO ECO DE TAMBOR)</b>	Se usa para limpiar suciedad y acumulación de residuos en el tambor. Se recomienda el uso regular (después de cada 20 lavados).

## Opciones

### Seguro para Niños

El seguro para niños desactiva el botón **START/PAUSE (INICIO/PAUSA)** mientras la lavadora está en funcionamiento. (Esto es para evitar que los niños jueguen con la lavadora).

#### Activación de la función de seguro para niños

Mantenga presionados simultáneamente los botones **Temp. (Temperatura)** y **Water Level (Nivel de Agua)** durante aproximadamente 3 segundos.

- El seguro para niños desactiva el botón **START/PAUSE (INICIO/PAUSA)** mientras la lavadora está en funcionamiento.
- El indicador del seguro para niños parpadea.

#### Uso de la función de seguro para niños

Si se abre la tapa cuando la función de seguro para niños está activada, el LED de **Hot (Caliente)** se ilumina y suena una alarma.

- Si el nivel del agua del tambor supera el nivel de seguridad, la luz de **Hot (Caliente)** se ilumina en la pantalla LED y la lavadora comienza a drenar después de 30 segundos.

- Si el nivel del agua del tambor es superior al nivel seguro de agua y la función de seguro para niños se activó mientras la puerta está abierta, las luces de **Hot (Caliente)**, **Cool (Fresca)**, **Extra High (Máximo)** y **Low (Bajo)** se iluminan en la pantalla LED aunque la alimentación esté apagada y la lavadora comienza a drenar.
- Si la alimentación está apagada y se abre la tapa cuando el nivel del agua del tambor supera el nivel de agua establecido, las luces de **Hot (Caliente)**, **Cool (Fresca)**, **Extra High (Máximo)** y **Low (Bajo)** se iluminan en la pantalla LED y la lavadora comienza a drenar. Cuando finaliza la operación de drenaje, la lavadora se apaga nuevamente de manera automática.
- Si activa el seguro para niños mientras la lavadora está en funcionamiento, el botón **START/PAUSE (INICIO/PAUSA)** no funciona.

# Lavado de una carga de ropa

- Después del drenaje obligatorio, las luces de **Hot (Caliente)**, **Cool (Fresca)**, **Extra High (Máximo)** y **Low (Bajo)** parpadean en intervalos de 1 segundo y el producto entra en el modo de luz de **Hot (Caliente)**, **Cool (Fresca)**, **Extra High (Máximo)** y **Low (Bajo)**. (Cuando el producto está en el modo de luz **Hot (Caliente)**, **Cool (Fresca)**, **Extra High (Máximo)** y **Low (Bajo)**, solo funciona el botón **POWER (ENCENDER/APAGAR)**.)
- Para cancelar el modo de luz **Hot (Caliente)**, **Cool (Fresca)**, **Extra High (Máximo)** y **Low (Bajo)**, debe apagar la alimentación y volver a encenderla.
- Para cancelar el modo de luz “**Hot (Caliente)**”, desactive la función de seguro para niños. Para desactivar la función de seguro para niños, mantenga presionados simultáneamente los botones **Temp. (Temperatura)** y **Water Level (Nivel de Agua)** durante 3 segundos como mínimo.
- La función de seguro para niños impide que los niños o las personas discapacitadas pongan en funcionamiento la lavadora accidentalmente y se lesionen.

## **ADVERTENCIA**

Si un niño entra a la lavadora, puede quedar atrapado y asfixiarse.

## **PRECAUCIÓN**

- Una vez activada la función de seguro para niños, ésta continúa funcionando aunque la lavadora esté apagada.
- Abrir la tapa por la fuerza puede dañar el producto o causar lesiones personales.

## **NOTA**

Para agregar ropa cuando la función de seguro para niños está activada, primero se debe desactivar dicha función.

## **NOTA**

### Agregado de ropa con la función de seguro para niños activada

Para agregar ropa, desactive la función de seguro para niños. Para desactivar la función de seguro para niños, mantenga presionados simultáneamente **Temp. (Temperatura)** y **Water Level (Nivel de Agua)** durante 3 segundos como mínimo. Consulte la sección “**Opción de pausa**” en la página 35 para obtener más detalles.

### Desactivación de la función de seguro para niños

Mantenga presionados simultáneamente los botones **Temp. (Temperatura)** y **Water Level (Nivel de Agua)** durante aproximadamente 3 segundos.

- Si se desactiva la función de seguro para niños, el indicador de **Seguro para Niños** se apaga.

---

## Lavado de prendas con el selector de ciclos

---

Su nueva lavadora facilita el lavado de las prendas gracias al sistema de control automático "Fuzzy Control" de Samsung. Cuando seleccione un programa de lavado, la lavadora elegirá la temperatura correcta, el tiempo de lavado y la velocidad de lavado.

1. Presione **POWER (ENCENDER/APAGAR)**.
2. Abra la tapa.
3. Coloque las prendas una a una dejando algo de espacio libre en la tina, sin llenarla demasiado.
4. Agregue el detergente líquido (o en polvo), el suavizante y el blanqueador (si es necesario) en el compartimiento adecuado. Consulte la sección "**Uso del detergente**" en la página 36.
5. Cierre la tapa.
6. Utilice el **selector de ciclos** para seleccionar el ciclo adecuado para cada tipo de material: **NORMAL, HEAVY DUTY (CARGA PESADA), DEEP WASH (LAVADO PROFUNDO), BEDDING / WATERPROOF (ROPA DE CAMA / IMPERMEABLES), QUICK WASH (LAVADO RÁPIDO), DELICATES (DELICADOS) y RINSE + SPIN (ENJUAGUE + CENTRIFUGADO)**. Se encenderán los indicadores correspondientes en el panel de control.
7. En ese momento, puede controlar la temperatura del lavado, la cantidad de ciclos de enjuague, la velocidad de centrifugado y el tiempo de retardo presionando el botón de opción adecuado.
8. Presione **START/PAUSE (INICIO/PAUSA)** y comenzará el lavado. El indicador de funcionamiento se iluminará y aparecerá en la pantalla el tiempo restante del ciclo.

### Opción de pausa

Para retirar o agregar prendas, siga estos pasos:

1. Presione **START/PAUSE (INICIO/PAUSA)** para destrabar la tapa.

#### **NOTA**

No es posible abrir la tapa cuando la temperatura del agua está demasiado **CALIENTE**.

2. Retire o agregue las prendas.
3. Cierre la tapa y, luego, presione **START/PAUSE (INICIO/PAUSA)** para reiniciar el lavado.

#### **NOTA**

Si la función Seguro para Niños está activada, debe desactivarla primero. Consulte la página 33.

### Cuando el ciclo ha finalizado:

Al finalizar el ciclo, la lavadora se apagará automáticamente.

1. Abra la tapa.
2. Retire la ropa.

# Lavado de una carga de ropa

## ATC (control automático de la temperatura)

ATC es la función de control mediante la cual la lavadora controla la temperatura del agua mediante el sensor de temperatura (termistor).

### **NOTA**

Debido a que hay numerosas temperaturas de agua dependiendo del entorno de cada cliente (zonas frías, cálidas, diversas temperaturas de agua, configuraciones de la temperatura del calentador, etc.), la función ATC de nuestra lavadora mantiene un cierto nivel de temperatura de lavado para brindar el mejor desempeño de lavado en cada ciclo.

### **NOTA**

Si selecciona el ciclo **NORMAL** este ciclo es el regulatorio y UL. Dado que las lavadoras nuevas deben reducir el consumo de energía como una prioridad principal, los clientes observarán el ingreso de más agua fría en la lavadora. Esto es normal y no constituye un problema.

En dichos ciclos regulatorios, la temperatura caliente es similar a una temperatura aceptable de agua de ducha para adultos y la temperatura tibia es similar a la temperatura agradable de una piscina.

### **NOTA**

Si los clientes desean lavar las prendas en temperaturas de agua específicas, deben elegir un ciclo diferente en cada temperatura (Hot (Caliente)/Warm (Tibia)/Eco Warm (Eco Tibia)/Cool (Fresca)).

## Uso del detergente

Para obtener un lavado de óptima calidad, use un detergente de alta eficacia, por ejemplo: Tide HE, Wisk HE, Cheer HE o Gain HE\*. Los detergentes de alta eficacia contienen supresores que reducen o eliminan la espuma. Cuando se produce menos espuma, la carga se mueve con mayor eficacia y el lavado se maximiza. (\* Los nombres de las marcas son marcas comerciales de sus respectivos fabricantes).

### **ADVERTENCIA**

Para obtener mejores resultados, use únicamente detergentes de alta eficacia (HE). No utilice detergente de baja eficacia, detergente orgánico, detergente natural o detergentes de alta eficacia con ingredientes naturales (como vinagre o bicarbonato).

### **NOTA**

Reducir la cantidad de detergente puede reducir la calidad del lavado. Es importante tratar las manchas previamente, clasificar las prendas con cuidado según el color y el nivel de suciedad, y evitar sobrecargar la lavadora.

---

## Características

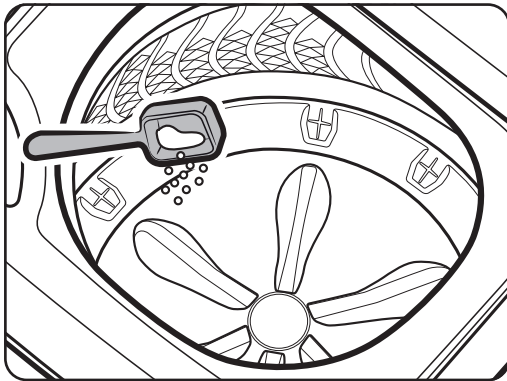
---

### Para agregar el detergente

 **NOTA**

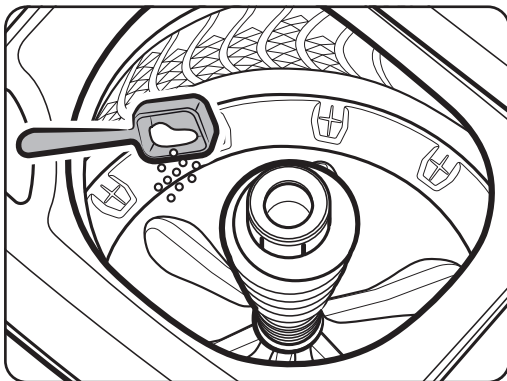
Cuando vierta detergente nunca sobrepase las recomendaciones del fabricante.

WA41A3\*\*\*A\*



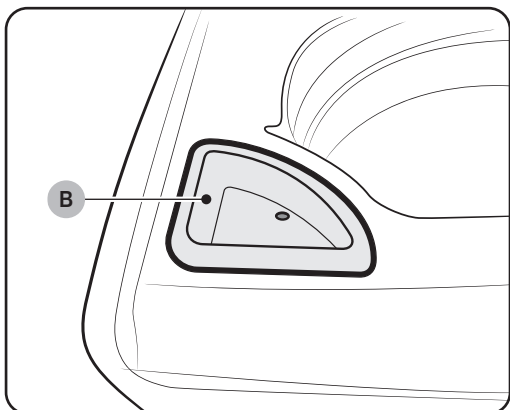
1. Abra la tapa.
2. Coloque la cantidad recomendada de detergente líquido o en polvo en el tambor.
3. Coloque la ropa y cierre la tapa.

WA40A3\*\*\*A\*



# Lavado de una carga de ropa

## Carga del compartimiento para el blanqueador



### PRECAUCIÓN

Utilice solamente blanqueador líquido que contenga cloro.

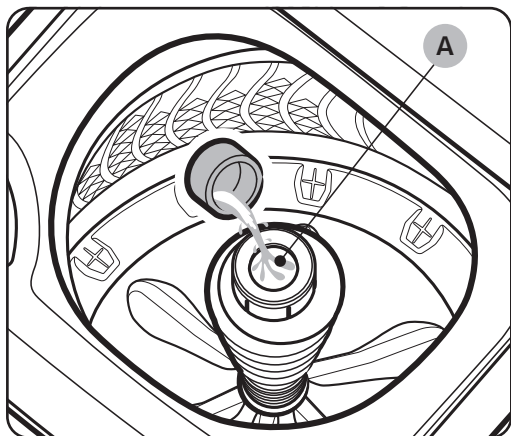
1. Agregue blanqueador que contenga cloro en el **compartimiento para el blanqueador (B)**. NO llene en exceso el compartimiento para el blanqueador.

### NOTA

- Evite salpicar o llenar en exceso el compartimiento.
- Nunca vierta un blanqueador líquido que contenga cloro sin diluir directamente sobre la carga o dentro del tambor. Se trata de un químico potente y, si no se usa correctamente, puede ser perjudicial para la tela, por ejemplo desgastando las fibras o causando decoloración.
- Si prefiere usar blanqueador con protección para ropa de color, agréguelo al compartimiento para el detergente apropiado. NO vierta blanqueador con protección para ropa de color en el compartimiento para el blanqueador.

---

### Carga del compartimiento para el suavizante (Solo modelos WA40A3\*\*\*A\*)



1. Vierta la cantidad recomendada de suavizante líquido en el **compartimiento para el suavizante (A)**.
2. Vierta agua tibia en el **compartimiento para el suavizante (A)** para diluir el suavizante. No sobrepase la línea MÁXIMA.

#### **NOTA**

- Si el suavizante no se diluye con agua puede causar obstrucciones.
  - Seleccione **DEEP WASH (LAVADO PROFUNDO)** si utiliza suavizante.
3. El suavizante se dispensa automáticamente en el tambor en el momento correcto durante el ciclo de enjuague.

# Mantenimiento de la lavadora

---

## **ADVERTENCIA**

Algunas piezas internas no están conectadas a tierra intencionalmente y pueden presentar riesgo de descarga eléctrica únicamente durante el servicio técnico. Personal del servicio técnico - No toque las siguientes piezas mientras el electrodoméstico está recibiendo electricidad: Panel de control, disipador térmico, motor, válvula de entrada, calentador y bomba.

## Limpieza del exterior

---

1. Cierre las llaves de agua después de finalizar el lavado del día.  
Esto cerrará el suministro de agua a la lavadora y evitará la improbable posibilidad de que se produzcan daños a causa de un derrame de agua. Deje la tapa abierta para que el interior de la lavadora pueda secarse.
2. Use un paño suave para limpiar todo el detergente, el blanqueador u otros derrames a medida que ocurran.
3. Limpie lo siguiente tal como se recomienda:  
Panel de control - Limpie con un paño suave y húmedo. No use polvos abrasivos ni toallitas limpiadoras. No rocíe el panel directamente con limpiadores en aerosol.

## Limpieza del interior

---

Limpie el interior de la lavadora periódicamente para eliminar todo vestigio de suciedad, polvo, olor, moho, hongos o bacterias que pueda permanecer en la lavadora como consecuencia del lavado de ropa.

El incumplimiento de estas instrucciones puede dar como resultado situaciones poco satisfactorias, tales como olor y/o manchas permanentes en la lavadora o en las prendas. Se pueden retirar los depósitos de agua dura si fuera necesario. Use limpiadores con el rótulo "Washer safe" (seguro para lavadoras).

## Cómo guardar la lavadora

---

Las lavadoras se pueden dañar si no se extrae el agua de las mangueras y de los componentes internos antes de guardarlas. Prepare la lavadora de la siguiente manera antes de guardarla:

1. Seleccione el ciclo Lavado Rápido y agregue blanqueador en el compartimiento para blanqueador. Ejecute ese ciclo en la lavadora sin carga.
2. Cierre las llaves de agua y desconecte las mangueras de entrada.
3. Desenchufe la lavadora del tomacorriente y deje la tapa de la lavadora abierta para que circule aire por la tina.  
Si la lavadora ha estado guardada en lugares con temperaturas por debajo del punto de congelación, deje transcurrir un tiempo para que los restos de agua se derritan antes de usarla.

---

## Mantenimiento de la cubierta superior y del marco frontal

---

No coloque objetos pesados ni afilados ni tampoco el paquete de detergente sobre la lavadora. Pueden rayar o dañar la cubierta superior de la unidad.

### **NOTA**

Ya que toda la lavadora tiene un acabado brillante, la superficie se puede rayar o dañar fácilmente.

Evite rayar o dañar la superficie cuando use la lavadora.

## Limpieza del compartimiento para el suavizante

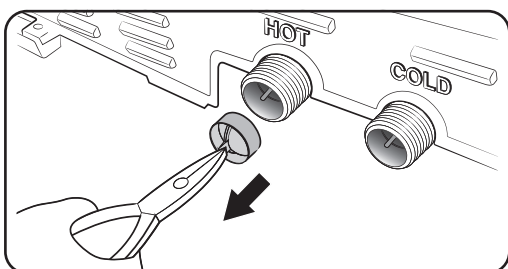
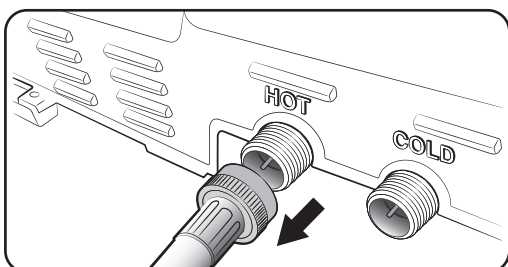
---

1. Vierta 1 galón estadounidense (3.85 litros) de agua tibia en el compartimiento para el suavizante.
2. Limpie la parte superior del compartimiento para el suavizante con un paño suave.

# Mantenimiento de la lavadora

## Limpeza del filtro de malla

Limpe el filtro de malla la manguera de agua una o dos veces por año.



1. Apague la lavadora y, luego, desenchufe el cable de alimentación.
2. Cierre la llave de agua.
3. Afloje y desconecte la manguera de agua de la parte trasera de la lavadora. Cubra la manguera con un paño para evitar la fuga de agua.
4. Use unas pinzas para sacar el filtro de malla de la válvula de entrada.
5. Sumerja el filtro de malla en agua de modo que el conector roscado quede también sumergido.
6. Seque el filtro de malla completamente a la sombra.
7. Vuelva a insertar el filtro de malla en la válvula de entrada y reconecte la manguera de agua en la válvula.
8. Abra la llave.

### **NOTA**

Si el filtro de malla está obstruido, el LED de "Cool (Fresca)" centellea en la pantalla de la lavadora.

---

## Lavado eco de tambor

---

Algunos usos y condiciones ambientales pueden generar acumulación de residuos y olor en el tambor de la lavadora. Para evitar esta acumulación u olor y mantener el tambor de la lavadora fresco y limpio, ejecute el ciclo SELF CLEAN (LIMPIEZA DE TAMBOR) una vez por mes o cada 20 ciclos como mínimo. Realice el siguiente procedimiento recomendado al ejecutar el ciclo LAVADO ECO DE TAMBOR.

1. Retire todas las prendas del tambor de la lavadora y asegúrese de que el tambor esté vacío. Las prendas que pueden en el tambor durante el ciclo LAVADO ECO DE TAMBOR pueden dañarse.
2. Presione **POWER (ENCENDER/APAGAR)**.
3. Gire el **Selector de Ciclos** para seleccionar **SELF CLEAN (LAVADO ECO DE TAMBOR)**.
4. Presione **START/PAUSE (INICIO/PAUSA)**. Comienza la autolimpieza.

### **NOTA**

- La temperatura del agua de LAVADO ECO DE TAMBOR está configurada como Caliente. La temperatura no puede modificarse.
- En caso de que queden residuos en el tambor de la lavadora, agregue 1 taza (8 fl.oz, 240 ml) de blanqueador líquido con cloro en el compartimiento para blanqueador antes de iniciar el ciclo LAVADO ECO DE TAMBOR. No utilice ni mezcle otro detergente o sustancias químicas durante el ciclo LAVADO ECO DE TAMBOR.
- Si fuera necesario, ejecute un ciclo ENJUAGUE + CENTRIFUGADO después de finalizar el ciclo LAVADO ECO DE TAMBOR a fin de ayudar a retirar los residuos restantes.

### **PRECAUCIÓN**

- Controle el tambor de la lavadora antes de ejecutar el ciclo LAVADO ECO DE TAMBOR. Retire el agua restante en el tambor mediante un ciclo Solo Centrifugar antes de iniciar el ciclo LAVADO ECO DE TAMBOR.
- Si quedara blanqueador en el tambor de la lavadora durante un período prolongado, puede oxidarse.

### **Recordatorio de LAVADO ECO DE TAMBOR**

- Después de 20 ciclos de lavado, el icono LED de recordatorio de LAVADO ECO DE TAMBOR y el LED del ciclo de LAVADO ECO DE TAMBOR titilarán en el panel de control durante una hora y se apagarán automáticamente.
- El recordatorio aparecerá en el panel de control durante 5 ciclos consecutivos adicionales antes de apagarse. El próximo recordatorio no aparecerá hasta que no se hayan completado 20 ciclos.

# Solución de problemas

## Verificaciones

Si tiene algún problema con la lavadora, primero consulte la tabla siguiente y pruebe las sugerencias.

Problema	Medida
No enciende.	<ul style="list-style-type: none"><li>• Asegúrese de usar la potencia nominal para el producto.</li><li>• Verifique que el cable de alimentación esté completamente enchufado.</li><li>• Revise el fusible o reinicie el disyuntor.</li></ul>
No se inicia.	<ul style="list-style-type: none"><li>• Asegúrese de que la puerta esté cerrada.</li><li>• Asegúrese de que las llaves de agua estén abiertas.</li><li>• Asegúrese de presionar o tocar <b>START/PAUSE (INICIO/PAUSA)</b> para iniciar el funcionamiento de la lavadora.</li><li>• Asegúrese de que la función Seguro para niños no esté activada.</li><li>• Antes de que la lavadora comience a llenarse, se escuchará una serie de sonidos semejantes a un "clic" para controlar la traba de la puerta y que se efectúe un drenaje rápido.</li><li>• ¿Se abrió la puerta durante el ciclo de centrifugado? Cierre la puerta y presione o toque <b>START/PAUSE (INICIO/PAUSA)</b> para reanudar el funcionamiento.</li><li>• La máquina entra en estado de espera o está en un ciclo de remojo. Espere.</li><li>• Revise el fusible o reinicie el disyuntor</li></ul>
No se suministra agua.	<ul style="list-style-type: none"><li>• Asegúrese de presionar o tocar <b>START/PAUSE (INICIO/PAUSA)</b> después de seleccionar el suministro de agua.</li><li>• Asegúrese de que las llaves de agua estén abiertas.</li><li>• ¿Está obstruida la red del filtro en el conector de la manguera de suministro de agua? Limpie la red del filtro usando un cepillo de dientes.</li><li>• ¿Hay suministro de agua? Si se cortó el suministro de agua, cierre la llave de agua y apague la lavadora.</li><li>• Enderece las mangueras de suministro de agua.</li><li>• Abra y cierre la puerta, luego presione o toque <b>START/PAUSE (INICIO/PAUSA)</b>.</li><li>• Si la presión de agua es baja, el comienzo del lavado demora más tiempo.</li><li>• Si el nivel del agua no es tan alto como se necesita o es inferior a lo esperado, utilice el selector de nivel para ajustar el nivel del agua.</li></ul>

Problema	Medida
Vibra de manera excesiva o hace ruido.	<ul style="list-style-type: none"> <li>• Asegúrese de que la lavadora esté instalada sobre un piso nivelado. Si el piso está desnivelado, use las patas niveladoras para ajustar la lavadora.</li> <li>• Asegúrese de que la lavadora no esté en contacto con ningún otro objeto.</li> <li>• Verifique que la carga de ropa sea equilibrada.</li> <li>• Asegúrese de que la ropa esté esparcida uniformemente en la lavadora. Esparza la ropa uniformemente y vuelva a comenzar.</li> <li>• Asegúrese de que no haya objetos en el espacio alrededor de la lavadora.</li> <li>• Se produce un zumbido normal durante el funcionamiento.</li> <li>• Los objetos como las monedas pueden generar ruidos. Retire estos objetos de la lavadora una vez finalizado el lavado.</li> </ul>
Se detiene.	<ul style="list-style-type: none"> <li>• Enchufe el cable de alimentación a un tomacorriente que funcione.</li> <li>• Revise el fusible o reinicie el disyuntor.</li> <li>• Cierre la puerta y presione o toque <b>START/PAUSE (INICIO/PAUSA)</b> para activar la lavadora. Por su seguridad, la lavadora no centrifugará salvo que la puerta esté cerrada.</li> <li>• Antes de que la lavadora comience a llenarse, se escuchará una serie de sonidos semejantes a un "clic" para controlar la traba de la puerta y que se efectúe un drenaje rápido.</li> <li>• Se puede producir una pausa o un período de remojo en el ciclo. Espere un instante para ver si la lavadora comienza a funcionar.</li> <li>• Asegúrese de que los filtros de la manguera de entrada en las llaves no estén obstruidos. Limpie los filtros periódicamente.</li> <li>• Este problema se produce de forma temporal debido a las bajas tensiones y se resolverá cuando vuelva la energía.</li> </ul>

# Solución de problemas

Problema	Medida
Se llena con agua a una temperatura incorrecta.	<ul style="list-style-type: none"> <li>• Abra por completo ambas llaves de agua.</li> <li>• Asegúrese de que la selección de temperatura sea la correcta.</li> <li>• Asegúrese de que las mangueras estén conectadas a las llaves correctas. Purgue las cañerías.</li> <li>• Desconecte las mangueras y limpie los filtros. Posiblemente, los filtros de las mangueras estén obstruidos.</li> <li>• Mientras la lavadora se llena, la temperatura del agua puede variar debido a que la función automática de control de la temperatura verifica la temperatura del agua que ingresa. Esto es normal.</li> <li>• Mientras la lavadora se llena, es posible que observe que por el dosificador pasa solo agua caliente y/o solo agua fría cuando se seleccionan las temperatura fría o tibia. Esta es una función normal que cumple el control de temperatura automático dado que la lavadora determina la temperatura del agua.</li> </ul>
La puerta (tapa) está trabada o no se abre.	<ul style="list-style-type: none"> <li>• Mientras la lavadora está funcionando, presione o toque <b>START/PAUSE (INICIO/PAUSA)</b> para detener la lavadora.</li> <li>• Puede llevar algunos minutos que el mecanismo de cierre de la puerta se desconecte.</li> </ul>
No drena y/o no centrifuga.	<ul style="list-style-type: none"> <li>• Revise el fusible o reinicie el disyuntor.</li> <li>• Asegúrese de que el voltaje eléctrico sea normal.</li> <li>• Asegúrese de que la lavadora esté enchufada.</li> <li>• Asegúrese de que la manguera de drenaje esté dirigida hacia abajo. (Modelos de drenaje natural solamente)</li> <li>• Asegúrese de que la manguera de drenaje no esté obstruida.</li> <li>• Asegúrese de que la manguera de drenaje no esté enroscada.</li> <li>• Enderece la manguera de drenaje. Si existe alguna restricción en cuanto al drenaje, comuníquese con el servicio técnico.</li> <li>• Cierre la puerta y presione o toque <b>START/PAUSE (INICIO/PAUSA)</b>. Por su seguridad, la lavadora no centrifugará salvo que la puerta esté cerrada.</li> </ul>
La carga está húmeda al finalizar el ciclo.	<ul style="list-style-type: none"> <li>• Use la velocidad de centrifugado Alto o Máximo. (Únicamente para los modelos aplicables)</li> <li>• Use un detergente de alta eficacia (HE, por su sigla en inglés) para reducir la formación de espuma en exceso.</li> <li>• La carga es demasiado pequeña. Las cargas pequeñas (una o dos prendas) se pueden desequilibrar y no centrifugarse en absoluto.</li> </ul>

Problema	Medida
Pierde agua.	<ul style="list-style-type: none"> <li>• Asegúrese de que todas las conexiones de las mangueras estén ajustadas.</li> <li>• Asegúrese de que el empaque de goma de la manguera de suministro de agua esté en la posición correcta. Ajústela nuevamente.</li> <li>• Asegúrese de que el extremo de la manguera de drenaje esté correctamente conectado y asegurado al sistema de drenaje.</li> <li>• Evite sobrecargar la lavadora.</li> <li>• Use un detergente de alta eficacia (HE, por su sigla en inglés) para evitar la formación de espuma en exceso.</li> <li>• Asegúrese de que la manguera de suministro de agua no esté enroscada.</li> <li>• Si el suministro de agua es demasiado fuerte, es posible que se produzcan fugas. Cierre un poco la llave de agua.</li> <li>• Asegúrese de que no haya fugas de agua desde la llave. Si las hay, repare la llave del agua.</li> </ul>
Exceso de espuma.	<ul style="list-style-type: none"> <li>• Use un detergente de alta eficacia (HE, por su sigla en inglés) para evitar la formación de espuma en exceso.</li> <li>• Reduzca la cantidad de detergente para el agua blanda, las cargas pequeñas o ligeramente sucias.</li> <li>• No se recomienda un detergente de baja eficacia.</li> </ul>
La cesta de centrifugado o la manguera de drenaje/suministro está congelada.	<ul style="list-style-type: none"> <li>• Utilice agua tibia para desconectar la manguera de suministro o la manguera de drenaje. Remójelas en agua tibia.</li> <li>• Llene la cesta de centrifugado con agua tibia y, luego, espere aproximadamente 10 minutos.</li> <li>• Coloque una toalla caliente sobre el conector de la manguera de drenaje.</li> <li>• Vuelva a conectar la manguera de suministro de agua y la manguera de drenaje y verifique si se suministra agua correctamente.</li> </ul>



# Solución de problemas

Problema	Medida
El agua se drena inmediatamente.	<ul style="list-style-type: none"><li>• Asegúrese de que la manguera de drenaje no esté obstruida y que esté colgada en el gancho para la manguera. Llene la cesta de centrifugado con agua hasta la mitad e intente centrifugar de nuevo.</li><li>• Levante el extremo de la manguera de drenaje para evitar que el agua se drene. Llene la cesta de centrifugado con agua hasta la mitad y, luego, ejecute el centrifugado después de liberar la manguera de drenaje.</li><li>• Asegúrese de que la manguera de drenaje esté instalada correctamente. Consulte la sección de instalación de este manual del usuario y ajuste la posición de la manguera de drenaje según se indica.</li></ul>
Hay manchas en la ropa.	<ul style="list-style-type: none"><li>• Seleccione el ciclo adecuado para las prendas. Use el ciclo Carga pesada para prendas manchadas.</li><li>• Agregue la cantidad de detergente que se recomienda en las instrucciones del fabricante.</li><li>• Limpie regularmente el filtro mágico (si se provee con la lavadora).</li></ul>
Tiene olor.	<ul style="list-style-type: none"><li>• El exceso de espuma se acumula en los huecos y puede causar malos olores.</li><li>• Realice ciclos de limpieza para desinfectar periódicamente.</li><li>• Seque el interior de la lavadora una vez finalizado el ciclo.</li></ul>


Si el problema persiste, comuníquese con un centro de servicio local de Samsung.

## Códigos de información

La lavadora puede mostrar códigos de información para ayudarle a comprender mejor cuál es el problema.

Código	Significado
El LED de Hot (Caliente) centellea	La tapa está abierta cuando la lavadora está en funcionamiento. <ul style="list-style-type: none"><li>Cierre la tapa firmemente y reinicie el ciclo.</li><li>Si el código de información permanece, comuníquese con un centro de servicio al cliente.</li></ul>
El LED de Warm (Tibia) centellea	Falla de comunicación entre la PBA principal y secundaria. <ul style="list-style-type: none"><li>Si el código de información permanece, comuníquese con un centro de servicio al cliente.</li></ul>
El LED de Eco Warm (Eco Tibia) centellea	Un botón no funciona correctamente. <ul style="list-style-type: none"><li>Si el código de información permanece, comuníquese con un centro de servicio al cliente.</li></ul>
El LED de Cool (Fresca) centellea	El sensor de nivel de agua no está funcionando bien.  <b>NOTA</b> Cuando el LED de Cool (Fresca) centellea, la lavadora drena durante 3 minutos. Durante este tiempo, el botón <b>POWER (ENCENDER/APAGAR)</b> no está operativo. <ul style="list-style-type: none"><li>Si el código de información permanece, comuníquese con un centro de servicio al cliente.</li></ul>
El LED de Extra High (Máximo) centellea	La lavadora intentó llenarse pero no lo logró.  <b>NOTA</b> Cuando el LED de Extra High (Máximo) centellea, la lavadora drena durante 3 minutos. Durante este tiempo, el botón <b>POWER (ENCENDER/APAGAR)</b> no está operativo. <ul style="list-style-type: none"><li>Asegúrese de que las llaves del agua estén completamente abiertas. Controle que no haya mangueras enroscadas.</li><li>Controle los filtros interiores de las mangueras de carga.</li><li>Si utiliza un dispositivo de seguridad contra inundación, retírelo y conecte las mangueras del agua directamente en la unidad.</li></ul> Verifique si la manguera de suministro de agua caliente está conectada. <ul style="list-style-type: none"><li>Se debe conectar la manguera de suministro de agua caliente ya que la función de control automático de la temperatura (A.T.C) suministra agua caliente.</li></ul>

# Solución de problemas

Código	Significado
El LED de High (Alto) centellea	<p>La lavadora intentó llenarse pero no alcanzó el nivel de agua adecuado.</p> <p> <b>NOTA</b></p> <p>Cuando el LED de High (Alto) centellea, la lavadora drena durante 3 minutos. Durante este tiempo, el botón <b>POWER (ENCENDER/APAGAR)</b> no está operativo.</p> <ul style="list-style-type: none"> <li>Si el código de información permanece, comuníquese con un centro de servicio al cliente.</li> </ul>
El LED de Mid (Medio) centellea	<p>Se detecta una falla en el sensor del nivel de agua.</p> <p>Si el código de información permanece, comuníquese con un centro de servicio al cliente.</p>
El LED de Low (Bajo) centillea	<p>La lavadora no está drenando. También puede significar que la unidad percibe una pequeña obstrucción mientras drena.</p> <ul style="list-style-type: none"> <li>Haga lo siguiente: <ol style="list-style-type: none"> <li>1. Apague la unidad y vuélvala a encender.</li> <li>2. Seleccione solamente el ciclo Spin Only (Solo Centrifugar).</li> <li>3. Presione <b>START/PAUSE (INICIO/PAUSA)</b> para que el agua drene.</li> </ol> </li> </ul> <p>Si sigue sin drenar, comuníquese con un centro de servicio al cliente.</p>
Los LED de Hot (Caliente) y Warm (Tibia) centellean	<p>Un desequilibrio en la carga impidió que la lavadora centrifugara.</p> <ul style="list-style-type: none"> <li>Redistribuya la carga y luego presione el botón <b>START/PAUSE (INICIO/PAUSA)</b>.</li> </ul>
Los LED de Hot (Caliente) y Cool (Fresca) centellean	<p>El motor no funciona correctamente.</p> <ul style="list-style-type: none"> <li>Reinicie el ciclo presionando el botón <b>START/PAUSE (INICIO/PAUSA)</b>.</li> <li>Si el código de información permanece, comuníquese con un centro de servicio al cliente.</li> </ul>
Los LED de Hot (Caliente) y Cool (Fresca) centellean	<p>El sensor Mems no está funcionando bien.</p> <ul style="list-style-type: none"> <li>Si el código de información permanece, comuníquese con un centro de servicio al cliente.</li> </ul>
Los LED de Hot (Caliente) y Extra High (Máximo) centellean	<p>El seguro de la puerta no funciona correctamente.</p> <ul style="list-style-type: none"> <li>Cierre la tapa firmemente y reinicie el ciclo.</li> <li>Si el código de información permanece, comuníquese con un centro de servicio al cliente.</li> </ul>

---

Código	Significado
Los LED de Hot (Caliente) y High (Alto) centellean	El seguro de la puerta no funciona correctamente. <ul style="list-style-type: none"> <li>Cierre la tapa firmemente y reinicie el ciclo.</li> <li>Si el código de información permanece, comuníquese con un centro de servicio al cliente.</li> </ul>
Los LED de Hot (Caliente) y Mid (Medio) centellean	El termistor no funciona correctamente. <ul style="list-style-type: none"> <li>Si el código de información permanece, comuníquese con un centro de servicio al cliente.</li> </ul>
Los LED de Hot (Caliente) y Low (Bajo) centellean	La temperatura del agua suministrada es demasiado elevada. <ul style="list-style-type: none"> <li>Asegúrese de que la llave del agua fría y caliente estén conectadas correctamente.</li> <li>Si el código de información permanece, comuníquese con un centro de servicio al cliente.</li> </ul>





Para los códigos que no figuran más arriba, llame al 1-800-726-7864 (1-800-SAMSUNG).

# Especificaciones

## Tabla de indicaciones sobre telas

Los siguientes símbolos ofrecen indicaciones acerca de las prendas. La etiqueta de indicaciones de la prenda incluye símbolos para secado, blanqueado, secado y planchado, o limpieza en seco cuando son necesarios. El uso de símbolos garantiza la consistencia entre los fabricantes textiles de artículos nacionales e importados. Siga las indicaciones de la etiqueta para optimizar la vida útil de la prenda y reducir los problemas del lavado.

### Ciclo de lavado

	Normal
	Planchado permanente / Antiarrugas / Control de arrugas
	Prendas suaves / Delicadas
	Lavado a mano

### Temperatura del agua




...	Caliente
..	Tibia
.	Fría

### **NOTA**



Representa las temperaturas del agua del lavado apropiadas para diversas prendas. El rango de temperatura para Caliente es de 105° a 125 °F / 41° a 52 °C, para Tibia es de 85° a 105 °F / 29° a 41 °C y para Fría es de 60° a 85 °F / 16° a 29 °C. (La temperatura del agua del lavado debe alcanzar un mínimo de 60 °F / 16 °C para que se active el detergente y se logre un lavado eficaz).

La lavadora no puede garantizar estas temperaturas porque la temperatura real del agua que ingresa en la lavadora depende de la configuración del calentador de agua y de las temperaturas del suministro de agua regional. Por ejemplo, el agua fría que ingresa en las casas de los Estados del Norte durante el invierno puede ser de 40 °F / 4 °C, que es demasiado fría para que se logre un lavado eficaz. En este caso, será preciso ajustar la temperatura del agua seleccionando la opción de temperatura cálida, agregando algo de agua caliente hasta la línea MAX FILL (Llenado máximo) o usando la opción de calentamiento de la lavadora, si está disponible.




### Blanqueador

	Cualquier blanqueador (cuando sea necesario)
	Solo blanqueador sin cloro (protección del color) (si es necesario)
	Secar en secadora


### Normal

	Planchado permanente / Antiarrugas / Control de arrugas
	Prendas suaves / Delicadas






### Instrucciones especiales

	Secar colgado/tender
	Colgar para que escurra
	Secar en posición horizontal

### Ajuste del calor

	Alto
	Medio
	Bajo
	Cualquier calor
	Sin calor / Aire







### Limpiar en seco

	Limpiar en seco
	No limpiar en seco
	Secar colgado / Tender
	Colgar para que escurra
	Secar en posición horizontal

### Temperaturas de secado con plancha o vapor

	Alto
	Medio
	Bajo

### Símbolos de advertencia para el lavado

	No lavar
	No retorcer
	No usar blanqueador
	No secar en secadora
	Sin vapor (agregado a la plancha)
	No planchar

# Especificaciones

---

## Ayuda al medioambiente

---

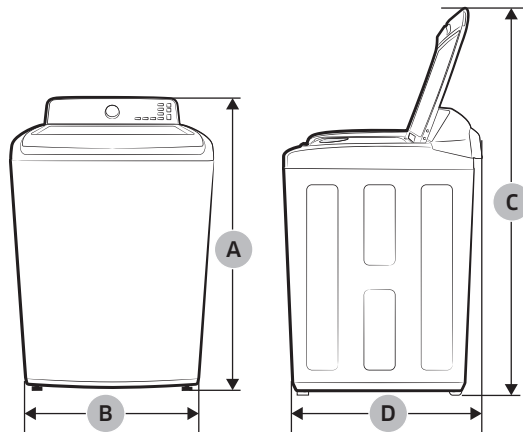
- Esta lavadora se fabrica con materiales reciclables. Si decide deshacerse de ella, siga la normativa local relacionada con la eliminación de desechos. Corte el cable de alimentación para que el electrodoméstico no pueda conectarse a una fuente de alimentación. Quite la tapa para que los animales y los niños pequeños no puedan quedar atrapados dentro de la máquina.
- No utilice cantidades de detergente superiores a las recomendadas por el fabricante del detergente.
- Utilice productos quitamanchas y blanqueadores antes del ciclo de lavado y solo cuando sea necesario.
- Ahorre agua y electricidad utilizando solo la capacidad total de la lavadora (la cantidad exacta depende del programa que se utilice).

## Declaración de conformidad

---

Este electrodoméstico cumple con la norma UL2157.

## Hoja de especificaciones



Tipo		Lavadora de carga superior	
Nombre del modelo		WA41A3***A*	WA40A3***A*
Capacidad (pies cúbicos)		4.1	4.0
Dimensiones (pulgadas (cm))	A. Altura	43.9 (111.7)	
	B. Ancho	27.0 (68.6)	
	C. Altura con la tapa abierta	59.3 (150.5)	
	D. Profundidad	29.3 (74.4)	
Presión de agua (psi (kPa))		20 - 116 (137 - 800)	
Peso NETO (kg (lb))		57.0 (125.7)	
Revolución del centrifugado		700 rpm	
Potencia del calentador	Lavado	120 V	700 W
	Centrifugado		400 W
	Drenaje		80 W

### **NOTA**

Puede cargar el tambor con ropa seca, sin doblar, pero **NO LO SOBRECARGUE**.

# Especificaciones

## Tabla de ciclos

Use esta tabla para configurar el mejor ciclo y las mejores opciones para su ropa.

### NOTA

Ajuste	Temp. (Temperatura)	Water Level (Nivel de Agua)
●: configuración de fábrica	H: Hot (Caliente)	EH: Extra High (Máximo)
●: se puede seleccionar	W: Warm (Tibia)	H: High (Alto)
	EW: Eco Warm (Eco Tibia)	M: Mid (Medio)
	C: Cool (Fresca)	L: Low (Bajo)
	CD: Cold (Fría)	AL: Auto Level (Nivel automático)

Ciclo	Funciones										Opción	
	Temp. (Temperatura)					Water Level (Nivel de Agua)					Extra Rinse (Enjuague Adicional)	Spin Only (Solo Centrifugar)
	H	W	EW	C	CD	EH	H	M	L	AL		
NORMAL	●	●	●	●	●	●	●	●	●	●	●	●
HEAVY DUTY (CARGA PESADA)	●	●	●	●	●	●	●	●	●	●	●	●
DEEP WASH (LAVADO PROFUNDO)	●	●	●	●	●	●	●	●			●	●
BEDDING / WATERPROOF (ROPA DE CAMA / IMPERMEABLES)	●	●	●	●	●	●	●	●	●		●	●
QUICK WASH (LAVADO RÁPIDO)	●	●	●	●	●	●	●	●	●		●	●
DELICATES (DELICADOS)		●	●	●	●	●	●	●	●		●	●
RINSE + SPIN (ENJUAGUE + CENTRIFUGADO)						●	●	●	●		●	●
SELF CLEAN (LAVADO ECO DE TAMBOR)	●						●					

# Garantía limitada (Estados Unidos)

---

## LAVADORA SAMSUNG

---

### **GARANTÍA LIMITADA AL COMPRADOR ORIGINAL CON PRUEBA DE COMPRA Y/O ENTREGA**

El presente producto de la marca SAMSUNG, tal como lo provee y distribuye SAMSUNG ELECTRONICS AMERICA, INC. (SAMSUNG) y lo entrega como nuevo, en su caja de cartón original al comprador o consumidor original, está garantizado por SAMSUNG contra defectos de fabricación de los materiales o la mano de obra durante los siguientes períodos de garantía limitada, a partir de la fecha de entrega al comprador original:

Piezas y mano de obra: Un (1) año

Piezas del tambor inoxidable (solo repuestos): Tres (3) años

Motor de lavado, según el tipo de motor

- Piezas del motor inversor digital (DIT) (solo repuestos):
  - Veinte (20) años
- Piezas del motor AC de la lavadora (solo repuestos):
  - Cinco (5) años

La presente garantía limitada es válida únicamente para productos comprados y usados en Estados Unidos que fueron instalados, operados y mantenidos de acuerdo con las instrucciones adjuntas o provistas con el producto. Para recibir el servicio técnico en garantía, el comprador debe comunicarse con SAMSUNG en la dirección o el teléfono que figuran más abajo con el fin de que se determine el problema y los procedimientos del servicio. El servicio técnico en garantía solo puede ser prestado por un centro de servicio técnico autorizado de SAMSUNG. Para recibir el servicio en garantía, debe presentarse la factura original de compra fechada y/o la prueba de entrega a solicitud de SAMSUNG o del centro de servicio autorizado de SAMSUNG.

Samsung brindará servicio técnico a domicilio dentro del territorio contiguo de Estados Unidos durante el período de garantía sin cargo, sujeto a la disponibilidad de los centros de servicio autorizados por SAMSUNG dentro de la zona geográfica del cliente. Si el servicio técnico a domicilio no está disponible, SAMSUNG puede, a su elección, optar por transportar el producto hasta y desde un centro de servicio técnico autorizado. Si el producto está ubicado en una zona en la que no se encuentra disponible ningún centro de servicio autorizado por SAMSUNG, usted podrá ser responsable del cargo por transporte o se le podrá requerir que transporte el producto a un centro de servicio autorizado por SAMSUNG para recibir asistencia técnica.

Para recibir el servicio técnico a domicilio, el producto no debe presentar obstrucciones y debe ser accesible para el agente del servicio técnico.

# Garantía limitada (Estados Unidos)

---

Durante el periodo de garantía aplicable, el producto se reparará o se reemplazará, o se devolverá el importe de compra, a la entera discreción de SAMSUNG. SAMSUNG podrá usar piezas nuevas o reacondicionadas para la reparación del producto, o reemplazar el producto por un producto nuevo o reacondicionado. SAMSUNG también puede reemplazar cualquier pieza cubierta por esta garantía por una pieza nueva o reacondicionada. La vigencia de la garantía de las piezas y los productos reemplazados será por el período restante de la garantía original del producto o por un período de noventa (90) días, el que sea el más largo. Todas las piezas y los productos reemplazados son propiedad de SAMSUNG y deben ser devueltos a SAMSUNG.

La presente garantía limitada cubre defectos de fabricación de los materiales o la mano de obra que ocurran durante el uso normal y doméstico de este producto y no cubrirá lo siguiente: daños que ocurran durante el envío, entrega e instalación y usos para los cuales el presente producto no fue destinado; daños causados por modificación o alteración no autorizada del producto; producto cuyos números de serie originales de fábrica fueron eliminados, desfigurados, alterados en algún modo o que no se puedan determinar fácilmente; daños cosméticos incluyendo rayones, hendiduras, abolladuras y otros daños al acabado del producto; daño causado por abuso o mal uso, plagas, accidente, incendio, inundación u otros casos fortuitos o de fuerza mayor; daño causado por el uso de equipo, utilidades, servicios, piezas, suministros, accesorios, aplicaciones, instalaciones, reparaciones, cableado externo o conectores no provistos ni autorizados por SAMSUNG; daño causado por línea eléctrica o voltaje incorrecto, fluctuaciones y sobretensión; daño causado por no operar y mantener el producto de acuerdo con las instrucciones; instrucción a domicilio acerca de cómo usar el producto; y servicio técnico para corregir una instalación que no cumpla con los códigos eléctricos o de plomería o corrección de cableado eléctrico o tuberías (es decir, cableado doméstico, fusibles o mangueras de entrada de agua). El costo de reparación o reemplazo bajo estas circunstancias excluidas será responsabilidad del cliente.

Las visitas de un proveedor de servicio técnico autorizado para explicar funciones, mantenimiento o instalación del producto no se cubren bajo esta garantía limitada. Comuníquese con Samsung al número que figura abajo para obtener ayuda con cualquiera de estos problemas.

## **EXCLUSIÓN DE GARANTÍAS IMPLÍCITAS**

LAS GARANTÍAS IMPLÍCITAS, INCLUYENDO GARANTÍAS IMPLÍCITAS DE COMERCIABILIDAD O APTITUD PARA UN PROPÓSITO EN PARTICULAR, ESTÁN LIMITADAS A UN AÑO O AL PERIODO MÁS CORTO PERMITIDO POR LA LEY. Algunos estados no permiten limitaciones en cuanto al periodo de vigencia de una garantía implícita, de tal forma que las limitaciones o exclusiones mencionadas tal vez no se apliquen a usted en particular. Esta garantía le otorga derechos específicos, e incluso usted también puede tener otros derechos que varían de un estado a otro.

---

## LIMITACIÓN DE RECURSOS

EL ÚNICO Y EXCLUSIVO RECURSO ES LA REPARACIÓN DEL PRODUCTO, EL REEMPLAZO DEL PRODUCTO O LA DEVOLUCIÓN DEL IMPORTE DE COMPRA, A DISCRECIÓN DE SAMSUNG, CONFORME A ESTA GARANTÍA LIMITADA. SAMSUNG NO SERÁ RESPONSABLE POR DAÑOS ESPECIALES, IMPREVISTOS O DERIVADOS, INCLUYENDO ENTRE OTROS, TIEMPO FUERA DEL TRABAJO, HOTELES Y/O COMIDAS EN RESTAURANTES, GASTOS DE REMODELACIÓN, PÉRDIDAS DE INGRESOS O GANANCIAS, INCAPACIDAD DE GENERAR AHORROS U OTROS BENEFICIOS INDEPENDIENTEMENTE DE LA TEORÍA LEGAL EN LA QUE SE BASE EL RECLAMO, E INCLUSO SI SAMSUNG HA SIDO ADVERTIDA DE LA POSIBILIDAD DE DICHOS DAÑOS. Algunos estados no permiten la exclusión o la limitación de daños imprevistos o derivados, por lo que las limitaciones o exclusiones mencionadas tal vez no se apliquen a usted en particular. Esta garantía le otorga derechos específicos, e incluso usted también puede tener otros derechos que varían de un estado a otro.

SAMSUNG no garantiza el funcionamiento ininterrumpido o sin errores del producto. Ningún aval o garantía otorgados por otra persona, compañía o corporación con respecto al presente producto revestirá carácter vinculante para SAMSUNG.

Para obtener el servicio de garantía, comuníquese con SAMSUNG en:

**Samsung Electronics America, Inc.**

85 Challenger Road

Ridgefield Park, NJ 07660

1-800-SAMSUNG (726-7864)

[www.samsung.com/us/support](http://www.samsung.com/us/support)

# Garantía (CANADÁ)

---

## LAVADORA SAMSUNG

---

### GARANTÍA LIMITADA PARA EL COMPRADOR ORIGINAL

El presente producto de la marca SAMSUNG, tal como lo provee y distribuye SAMSUNG ELECTRONICS CANADA, INC. (SAMSUNG) y lo entrega como nuevo, en su caja de cartón original al comprador o consumidor original, está garantizado por SAMSUNG contra defectos de fabricación de los materiales y la mano de obra durante el período limitado de la garantía de:

Piezas y mano de obra: Un (1) año

Motor de lavado, según el tipo de motor

- Piezas del motor inversor digital (DIT) (solo repuestos):
  - Veinte (20) años
- Piezas del motor AC de la lavadora (solo repuestos):
  - Cinco (5) años

La presente garantía limitada comienza en la fecha original de compra y es válida únicamente para productos comprados y usados en Canadá. Para recibir el servicio técnico de la garantía, el comprador debe comunicarse con SAMSUNG con el fin de que se determine el problema y los procedimientos del servicio. El servicio técnico de la garantía solo puede ser prestado por un centro de servicio técnico autorizado de SAMSUNG. Se debe presentar la factura de compra original como prueba de compra a SAMSUNG o al servicio técnico autorizado de SAMSUNG. SAMSUNG prestará servicio técnico a domicilio durante el período de la garantía sin costo, sujeto a la disponibilidad dentro de Canadá. El servicio técnico a domicilio no está disponible en todas las áreas.

Para recibir el servicio técnico a domicilio, el producto no debe presentar obstrucciones y debe ser accesible para el agente del servicio técnico. Si el servicio técnico no está disponible, SAMSUNG puede optar por transportar el producto hasta y desde el servicio técnico autorizado.

---

SAMSUNG reparará, reemplazará el producto u ofrecerá un reembolso a su criterio y sin cargo adicional, tal como se establece en la presente garantía, con piezas o productos nuevos o reacondicionados si se verifica que es defectuoso durante el período limitado de la garantía especificado anteriormente. Todas las piezas y los productos reemplazados pasan a ser propiedad de SAMSUNG y deben ser devueltos a SAMSUNG. Las piezas y los productos reemplazados asumen la garantía original que resta, o noventa (90) días, el período que sea el más prolongado. La presente garantía limitada cubre defectos de fabricación de los materiales y la mano de obra encontrados durante el uso normal y doméstico de este producto y no será válida para lo siguiente: daños que ocurran durante el envío; entrega e instalación; aplicaciones y usos para los cuales el presente producto no fue destinado; números de serie o de producto alterados; daño cosmético o de acabado exterior; accidentes, abuso, descuido, incendio, inundación, caída de rayos, u otros casos fortuitos o de fuerza mayor; uso de productos, equipos, sistemas, utilidades, servicios, piezas, suministros, accesorios, aplicaciones, instalaciones, reparaciones, cableado externo o conectores no provistos ni autorizados por SAMSUNG que dañen este producto o que acarreen problemas en el servicio; voltaje de la línea eléctrica incorrecto, fluctuaciones y sobrevoltaje; ajustes del cliente e incumplimiento de lo establecido en el manual de instrucciones, instrucciones de mantenimiento y ambientales que están cubiertas y recomendadas en el manual de instrucciones; traslado y reinstalación del producto; problemas causados por plagas.

La presente garantía limitada no cubre problemas derivados de la corriente, el voltaje o el suministro eléctrico incorrectos, las bombillas de luz, los fusibles de la casa, el cableado de la casa, el costo del servicio técnico para recibir instrucciones o corregir errores en la instalación. SAMSUNG no garantiza el funcionamiento ininterrumpido o sin errores del producto.

SALVO LO ESTABLECIDO EN LA PRESENTE GARANTÍA, NO EXISTEN GARANTÍAS SOBRE EL PRESENTE PRODUCTO, YA SEAN EXPRESAS O TÁCITAS, Y SAMSUNG DESCONOCE TODAS LAS GARANTÍAS QUE INCLUYEN, AUNQUE NO EN CARÁCTER TAXATIVO, CUALQUIER GARANTÍA TÁCITA DE QUE EL PRODUCTO SE ENCUENTRA EN CONDICIONES APTAS PARA LA VENTA, DE DEFRAUDACIÓN DE DERECHOS O DE QUE EL PRODUCTO SE ADECUA A LOS FINES ESPECÍFICOS PARA LOS CUALES SE ADQUIERE.

NINGÚN AVAL O GARANTÍA OTORGADOS POR PERSONA, COMPAÑÍA O CORPORACIÓN ALGUNA CON RESPECTO AL PRESENTE PRODUCTO REVESTIRÁ CARÁCTER VINCULANTE PARA SAMSUNG. SAMSUNG NO SERÁ RESPONSABLE POR PÉRDIDAS DE INGRESOS O LUCRO CESANTE, IMPOSIBILIDAD DE GENERAR AHORROS U OBTENER OTROS BENEFICIOS, O CUALQUIER DAÑO DERIVADO DE CIRCUNSTANCIAS ESPECIALES, DAÑO IMPREVISTO O DERIVADO CAUSADO POR EL USO, USO INCORRECTO, O INCAPACIDAD PARA USAR EL PRESENTE PRODUCTO, INDEPENDIEMENTE DE LA TEORÍA LEGAL EN QUE SE FUNDE EL RECLAMO Y AUN CUANDO SE LE HAYA NOTIFICADO A SAMSUNG DE LA POSIBILIDAD DE TALES DAÑOS.

# Garantía (CANADÁ)

---

NINGÚN RESARCIMIENTO DE NINGUNA ÍNDOLE CONTRA SAMSUNG SUPERARÁ EL MONTO DE COMPRA DEL PRODUCTO VENDIDO POR SAMSUNG Y CAUSANTE DEL PRESUNTO DAÑO. SIN LIMITAR LO PRECEDENTE, EL COMPRADOR ASUME TODO EL RIESGO Y LA RESPONSABILIDAD POR PÉRDIDA, DAÑO O LESIÓN AL COMPRADOR Y A LOS BIENES DEL COMPRADOR Y A TERCEROS Y A SUS BIENES DERIVADOS DEL USO, USO INCORRECTO O INCAPACIDAD PARA USAR EL PRESENTE PRODUCTO. LA PRESENTE GARANTÍA LIMITADA NO SE EXTENDERÁ A NINGUNA PERSONA DISTINTA DEL COMPRADOR ORIGINAL DEL PRESENTE PRODUCTO, ES INTRANSFERIBLE Y ESTABLECE SU EXCLUSIVA REPARACIÓN.

Algunas provincias no permiten limitaciones en cuanto al plazo de una garantía implícita, o la exclusión o limitación de daños imprevistos o derivados, por lo que las limitaciones o exclusiones antedichas pueden no aplicarse en su caso. Esta garantía le otorga derechos específicos, y además puede tener otros derechos que varían según la provincia en la que se encuentre.

Para recibir servicio técnico de garantía, comuníquese con SAMSUNG a:

**Samsung Electronics Canada Inc.**

**2050 Derry Road West**

**Mississauga, Ontario L5N 0B9 Canada**

**1-800-SAMSUNG (726-7864)**

**[www.samsung.com/ca/support](http://www.samsung.com/ca/support) (English)**

**[www.samsung.com/ca\\_fr/support](http://www.samsung.com/ca_fr/support) (French)**

Las visitas del personal de servicio técnico para explicar funciones, mantenimiento o instalación no están cubiertas por la garantía.

Póngase en contacto con su agente del centro de llamadas Samsung para que le asesore.

# Notas

---



Scan the QR code\* or visit  
[www.samsung.com/spsn](http://www.samsung.com/spsn)  
to view our helpful  
How-to Videos and Live Shows

\*Requires reader to be installed on your smartphone

Scan this with your smartphone

## ¿TIENE PREGUNTAS O COMENTARIOS?

PAÍS	LLAME AL	O VISÍTENOS EN LÍNEA EN
U.S.A	1-800-SAMSUNG (726-7864)	<a href="http://www.samsung.com/us/support">www.samsung.com/us/support</a>
CANADA	1-800-SAMSUNG(726-7864)	<a href="http://www.samsung.com/ca/support">www.samsung.com/ca/support</a> (English) <a href="http://www.samsung.com/ca_fr/support">www.samsung.com/ca_fr/support</a> (French)



DC68-03850F-05